



US00D845871S

(12) **United States Design Patent**  
**Liu**

(10) **Patent No.:** **US D845,871 S**  
(45) **Date of Patent:** **\*\* Apr. 16, 2019**

(54) **PROTECTION COVER FOR SCOOTER**  
(71) Applicant: **NINEBOT(BEIJING)TECH. CO., LTD**, Beijing (CN)  
(72) Inventor: **Xiaoying Liu**, Beijing (CN)  
(73) Assignee: **Ninebot (Beijing) Tech. Co., Ltd.**, Beijing (CN)

D400,845 S \* 11/1998 Miller ..... D12/401  
D496,322 S \* 9/2004 Farney ..... D12/401  
6,907,949 B1 \* 6/2005 Wang ..... B62D 51/02  
180/19.1  
D507,206 S \* 7/2005 Wang ..... D12/1  
D528,468 S \* 9/2006 Arling ..... D12/1  
D551,592 S \* 9/2007 Chang ..... D12/1  
D551,722 S \* 9/2007 Chang ..... B62K 11/007  
D12/1  
7,303,032 B2 \* 12/2007 Kahlert ..... B62D 61/00  
180/21

(\*\*) Term: **15 Years**

(Continued)

(21) Appl. No.: **35/504,619**

(22) Filed: **Dec. 25, 2017**

(80) **Hague Agreement Data**

Int. Filing Date: **Dec. 25, 2017**  
Int. Reg. No.: **DM/100028**  
Int. Reg. Date: **Dec. 25, 2017**  
Int. Reg. Pub. Date: **Mar. 16, 2018**

(30) **Foreign Application Priority Data**

Aug. 1, 2017 (CN) ..... 2017 3 0347178

(51) **LOC (11) Cl.** ..... **12-16**

(52) **U.S. Cl.**  
USPC ..... **D12/401; D12/1**

(58) **Field of Classification Search**  
USPC .... D12/1, 8, 14, 85, 86, 112, 113, 128, 130,  
D12/181, 401; D21/419, 421, 423, 424,  
D21/435

CPC ..... B62D 51/02; B62K 3/007; B62J 19/00;  
B62J 1/18; B62J 1/20; B62J 1/22; B62J  
1/24; B62J 1/26; B62J 1/28

See application file for complete search history.

(56) **References Cited**

**U.S. PATENT DOCUMENTS**

4,219,218 A \* 8/1980 Waldon ..... B60J 11/06  
150/154  
4,376,546 A \* 3/1983 Guccione ..... B60R 19/02  
150/166

**OTHER PUBLICATIONS**

Seway miniLITE I Have fun in Style Relevant Part:Mainly 0:21-0:24 of the video Segway Europe posted on YouTube Address of Information:URL:[https://www.youtube.com/watch?v=zhRz\\_-OjVcg](https://www.youtube.com/watch?v=zhRz_-OjVcg),mailed on Dec. 4, 2017. 2 pages.

*Primary Examiner* — Darlington Ly  
(74) *Attorney, Agent, or Firm* — Margaret Polson; Polson Intellectual Property Law PC

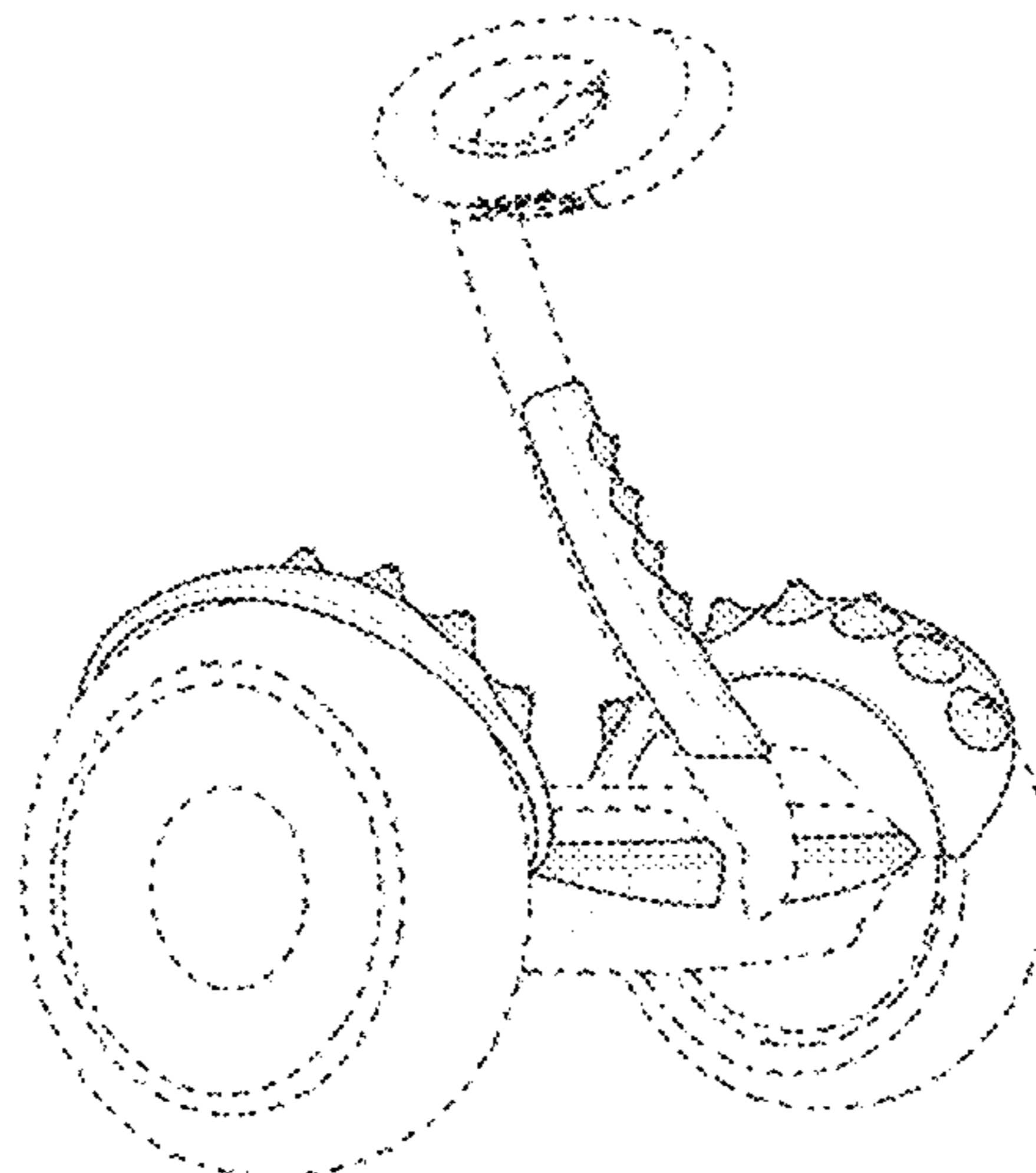
(57) **CLAIM**

The ornamental design for a protection cover for scooter, as shown and described.

**DESCRIPTION**

1. Protection cover for scooter  
1.1 is a front elevation view of a protection cover for scooter showing my new design;  
1.2 is a rear elevation view thereof;  
1.3 is a left side elevation view thereof;  
1.4 is a right side elevation view thereof;  
1.5 is a top plan view thereof;  
1.6 is a bottom plan view thereof; and  
1.7 is a front and left side perspective view thereof.  
The broken lines shown in the drawings illustrate portions of the protection cover for scooter that form no part of the claimed design.

**1 Claim, 7 Drawing Sheets**



(56)

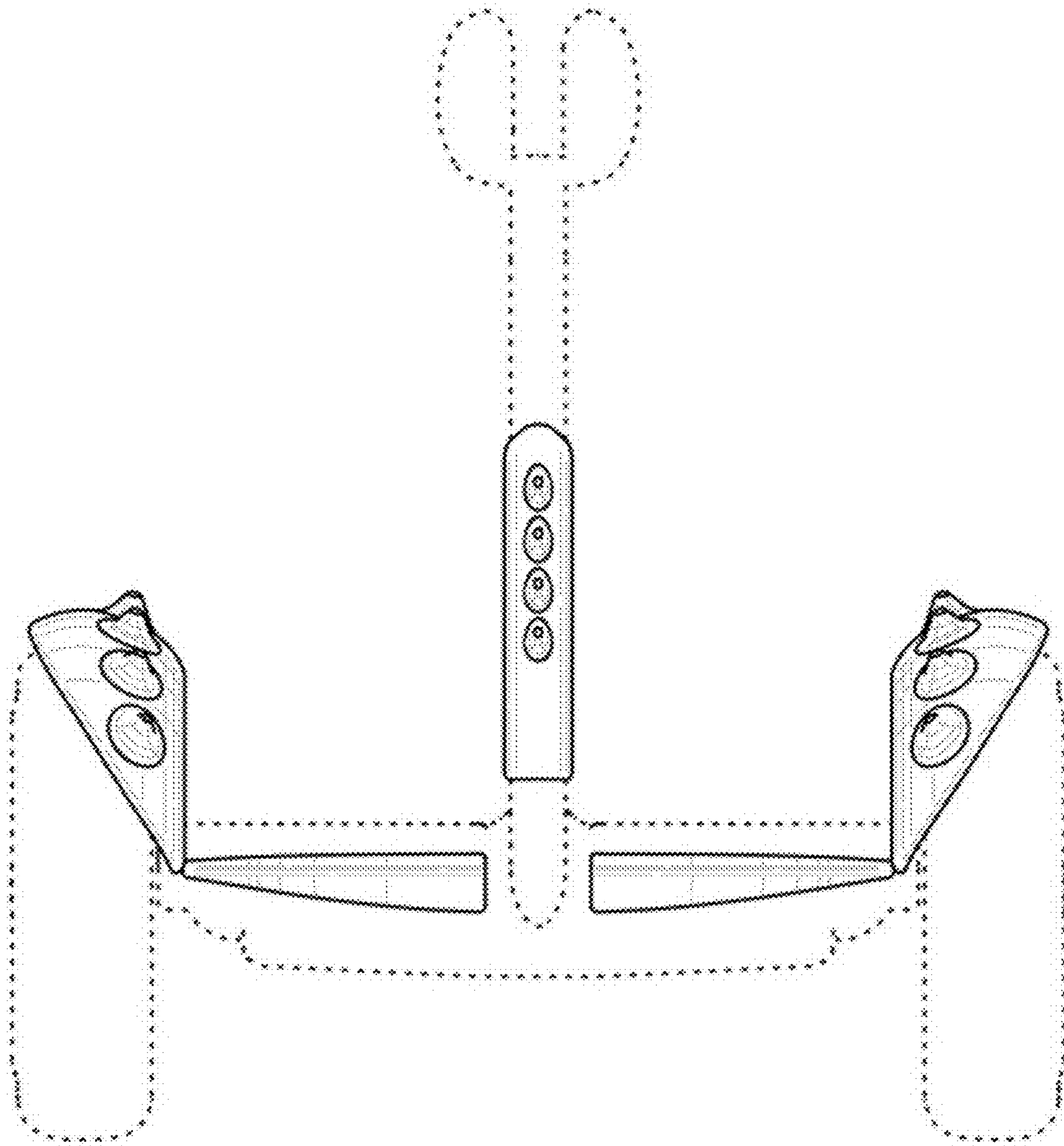
**References Cited**

U.S. PATENT DOCUMENTS

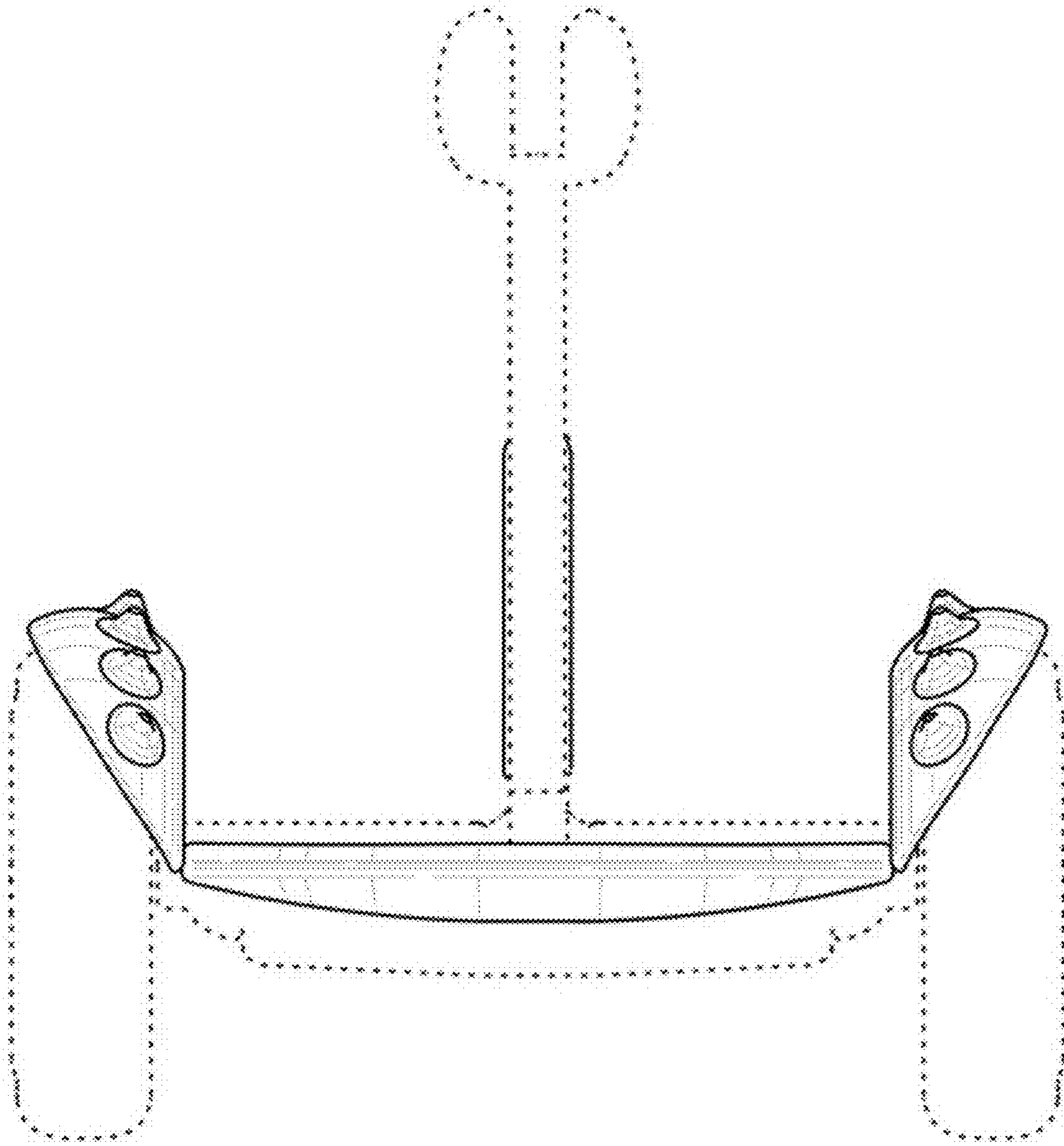
D627,377 S \* 11/2010 Wiley ..... D15/199  
7,958,961 B1 \* 6/2011 Schade ..... B62K 11/007  
180/19.1  
8,201,653 B2 \* 6/2012 Strassman ..... B60N 2/002  
180/218  
8,322,478 B2 \* 12/2012 Kim ..... B62K 11/007  
180/218  
D743,843 S \* 11/2015 Guo ..... D12/1  
D746,216 S \* 12/2015 Holeman ..... D12/401  
D748,533 S \* 2/2016 Collins ..... D12/1  
9,403,573 B1 \* 8/2016 Mazzei ..... B62D 51/02  
D774,600 S \* 12/2016 Tao ..... D12/1  
D793,905 S \* 8/2017 Liu ..... D12/1  
D829,603 S \* 10/2018 Ying ..... D12/1  
D835,544 S \* 12/2018 Liu ..... D12/1

\* cited by examiner

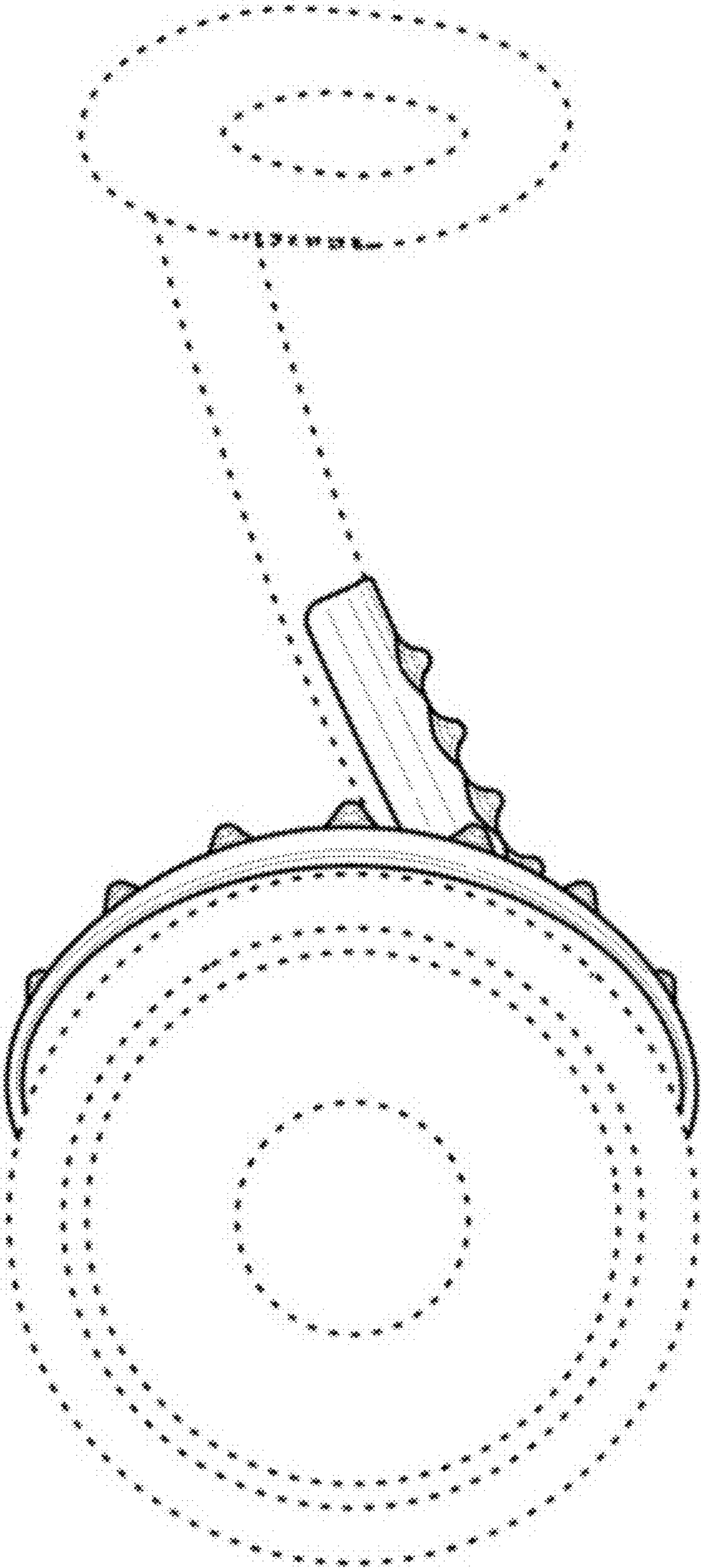
1.1



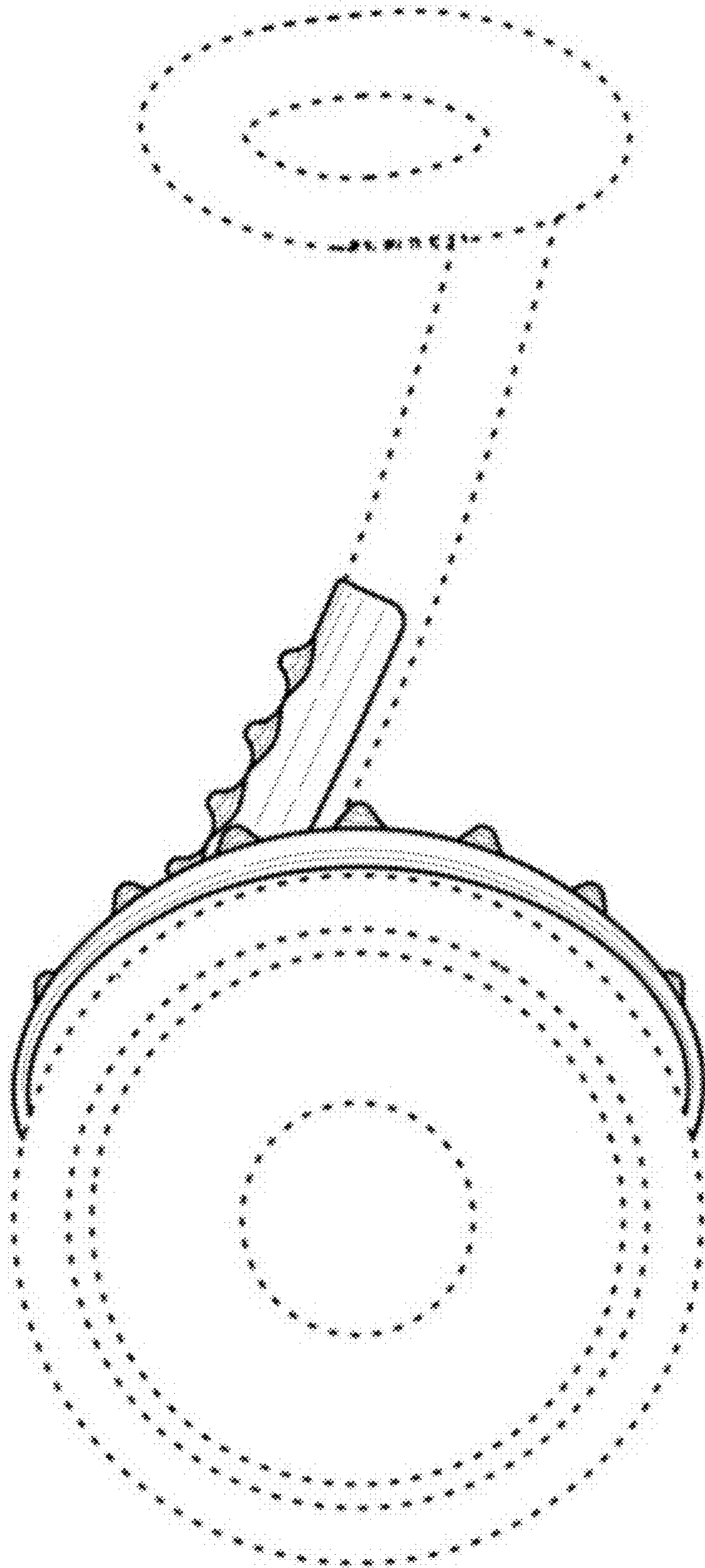
1.2



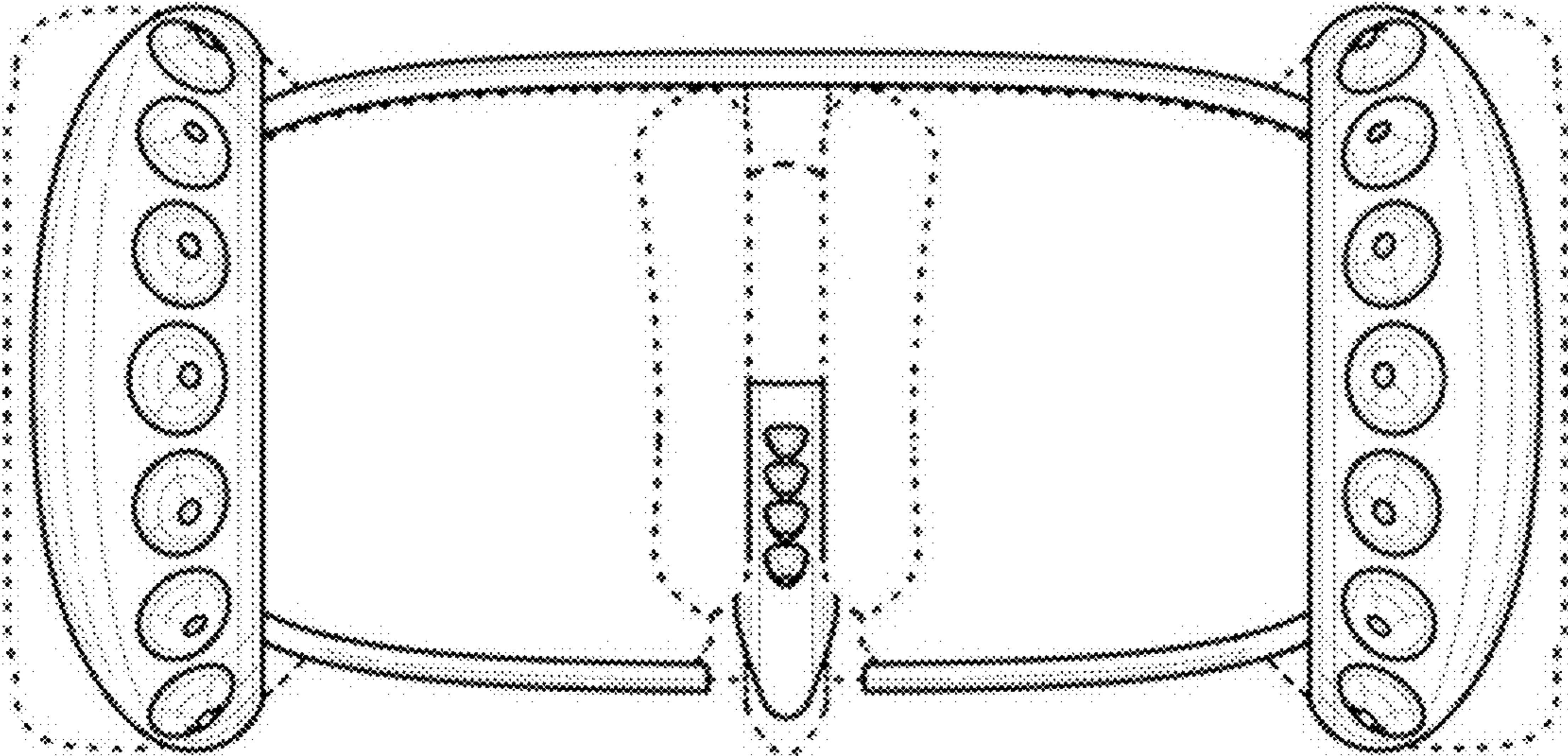
1.3



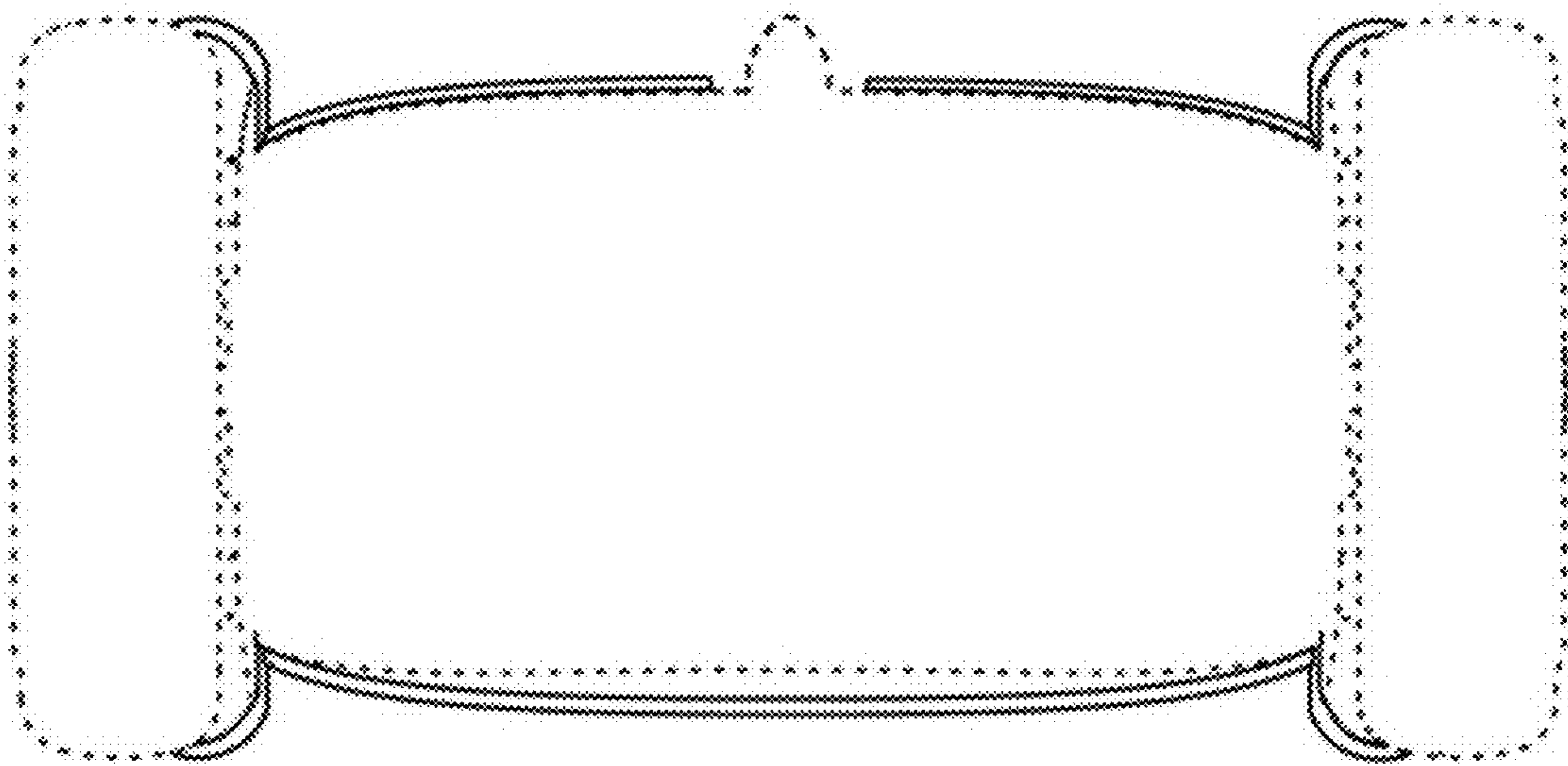
1.4



1.5



1.6





1.7

