



US00D845870S

(12) **United States Design Patent** (10) **Patent No.:** **US D845,870 S**  
**Beer et al.** (45) **Date of Patent:** **\*\* Apr. 16, 2019**

(54) **AQUATIC RESCUE DEVICE**  
(71) Applicant: **Rescue Alive, LLC**, Spencer, MA (US)  
(72) Inventors: **Robert Beer**, Spencer, MA (US);  
**David Kroll**, Westfield, MA (US)  
(73) Assignee: **RESCUE ALIVE, LLC**, Spencer, MA (US)

D256,447 S \* 8/1980 Upchurch ..... D12/310  
D256,448 S \* 8/1980 Upchurch ..... D12/310  
D256,572 S \* 8/1980 Jedzinski ..... D12/304  
D259,927 S \* 7/1981 Norlund ..... D12/310

(Continued)

**FOREIGN PATENT DOCUMENTS**

WO 2002081301 A2 10/2002

**OTHER PUBLICATIONS**

“Members Sharpen Ice Rescue Skills” [online]. Web Team. [Published Jan. 18, 2015]. Retrieved from the Internet: <[http://www.westhamptonbeachfd.org/apps/public/news/newsView.cfm?News\\_ID=113](http://www.westhamptonbeachfd.org/apps/public/news/newsView.cfm?News_ID=113)>.\*

(Continued)

*Primary Examiner* — Khawaja Anwar  
*Assistant Examiner* — Mojtaba Tehrani  
(74) *Attorney, Agent, or Firm* — Duquette Law Group, LLC

(\*\*) Term: **15 Years**  
(21) Appl. No.: **29/581,992**  
(22) Filed: **Oct. 24, 2016**  
(51) **LOC (11) Cl.** ..... **12-06**  
(52) **U.S. Cl.**  
USPC ..... **D12/310**  
(58) **Field of Classification Search**  
USPC ..... D21/542, 544, 547, 646, 760, 761, 762,  
D21/764, 769, 770, 771, 778, 792, 801,  
D21/803, 804, 805, 806, 807, 808, 810;  
D12/301, 302, 303, 306, 310, 311, 312,  
D12/313, 314, 316  
CPC ..... A41D 13/0518; A63B 2208/03; A63B  
2225/605; A63B 31/00; A63B 31/10;  
A63B 69/14; A63B 31/11; B63B 21/66;  
B63C 11/02  
See application file for complete search history.

(57) **CLAIM**

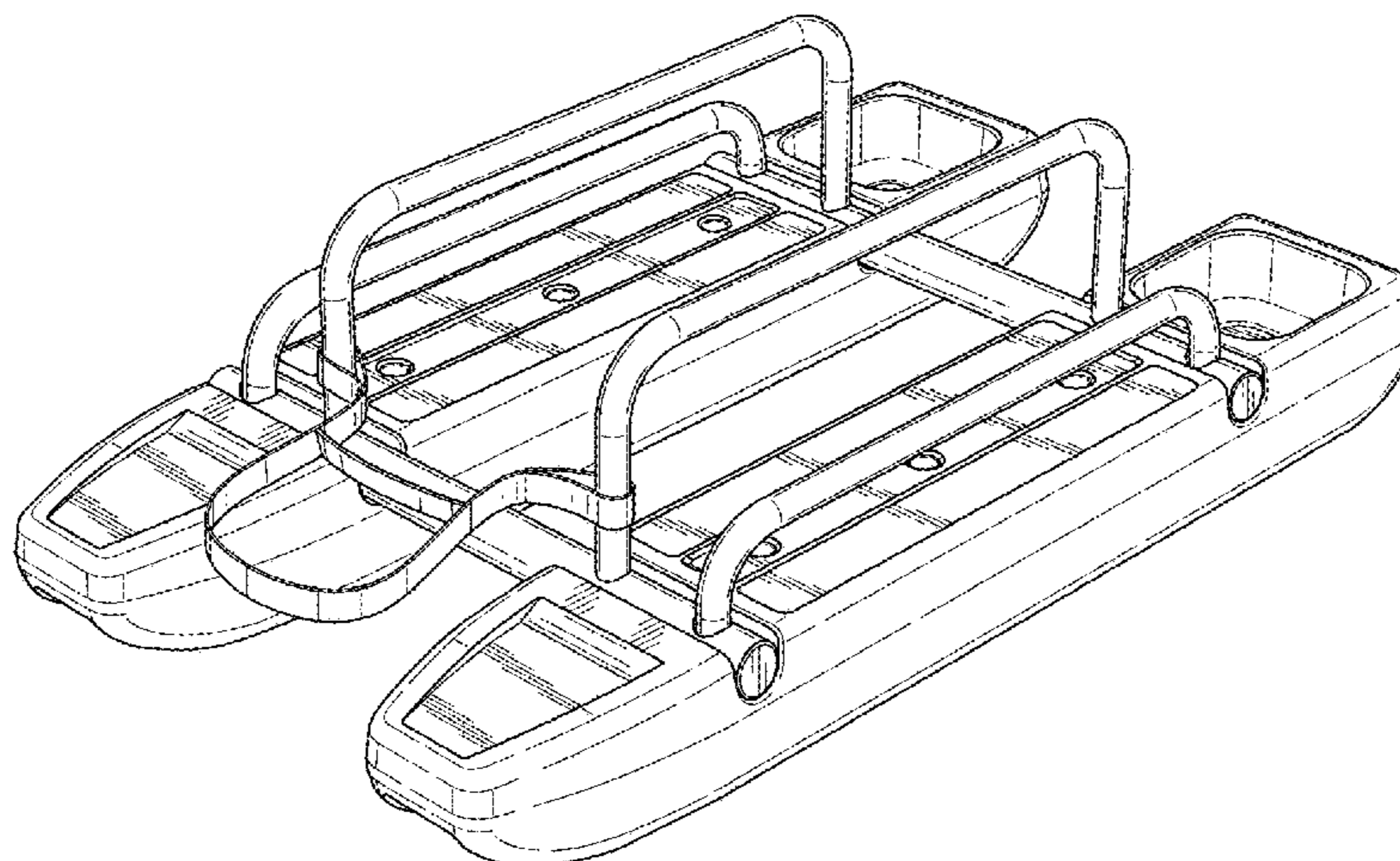
We claim the ornamental design for an aquatic rescue device, as shown and described.

**DESCRIPTION**

FIG. 1 is a top perspective view of an aquatic rescue device according to my new design;  
FIG. 2 is a bottom perspective view thereof;  
FIG. 3 is a front view thereof;  
FIG. 4 is a rear view thereof;  
FIG. 5 is a right side view thereof, the left side being a mirror image of the right side;  
FIG. 6 is a top view thereof; and,  
FIG. 7 is a bottom view thereof.  
The broken lines in the drawings depicts unclaimed portion of the aquatic rescue device only and forms no part of the claimed design.

(56) **References Cited**  
U.S. PATENT DOCUMENTS  
D187,357 S \* 3/1960 Silva ..... D12/306  
3,090,339 A \* 5/1963 Carr ..... B63B 5/24  
114/292  
3,711,879 A \* 1/1973 Siefert ..... B63C 9/32  
114/43  
3,864,770 A 2/1975 Zeillinger  
3,968,532 A \* 7/1976 Bailey ..... B63B 1/121  
114/352  
4,046,091 A 9/1977 Lomas, III et al.  
4,079,953 A 3/1978 Howarth, Jr.  
4,179,764 A 12/1979 Lindblade

**1 Claim, 6 Drawing Sheets**



(56)

References Cited

U.S. PATENT DOCUMENTS

4,295,236 A \* 10/1981 Upchurch ..... B63B 1/121  
114/357  
4,856,446 A \* 8/1989 Herard ..... B63B 1/12  
114/61.22  
4,936,241 A 6/1990 Hendrickson  
4,968,046 A 11/1990 O'Connell et al.  
5,052,324 A \* 10/1991 Lesly ..... B63B 7/04  
114/353  
5,290,196 A \* 3/1994 Steel ..... B63B 35/74  
441/130  
5,320,567 A \* 6/1994 Beer ..... B63C 9/32  
114/283  
D355,633 S \* 2/1995 Whitney ..... D12/304  
5,413,066 A \* 5/1995 Spencer, Jr. .... B63B 7/082  
114/354  
5,427,557 A 6/1995 Lunden, Sr.  
5,624,292 A 4/1997 Wiseman, Jr.  
5,807,153 A 9/1998 Allen et al.  
6,190,222 B1 2/2001 Senger  
6,641,446 B1 11/2003 Bentley

6,764,363 B2 7/2004 Rosen  
7,121,910 B2 10/2006 Rosen  
7,247,070 B2 7/2007 Boice  
8,167,668 B2 5/2012 Robicheaux  
8,469,015 B2 6/2013 Gerwig  
8,499,707 B2 8/2013 Halfon  
8,636,554 B1 1/2014 Connolly et al.  
8,668,535 B1 3/2014 Scroggs  
9,056,661 B2 6/2015 Macri  
9,856,001 B2 \* 1/2018 Beer ..... B63C 9/32  
2010/0011507 A1 1/2010 Fischer  
2011/0159755 A1 6/2011 Dufner et al.  
2016/0039498 A1 2/2016 Fulop et al.  
2017/0190401 A1 \* 7/2017 Beer ..... B63B 1/121

OTHER PUBLICATIONS

“New equipment will aid LPFD in ice rescues” [online]. Matt Fritz. [Published Oct. 17, 2014]. Retrieved from the Internet: <[https://www.thenewsdspatch.com/news/article\\_270689b2-5646-11e4-bff4-475f876478e0.html](https://www.thenewsdspatch.com/news/article_270689b2-5646-11e4-bff4-475f876478e0.html)>.\*

\* cited by examiner

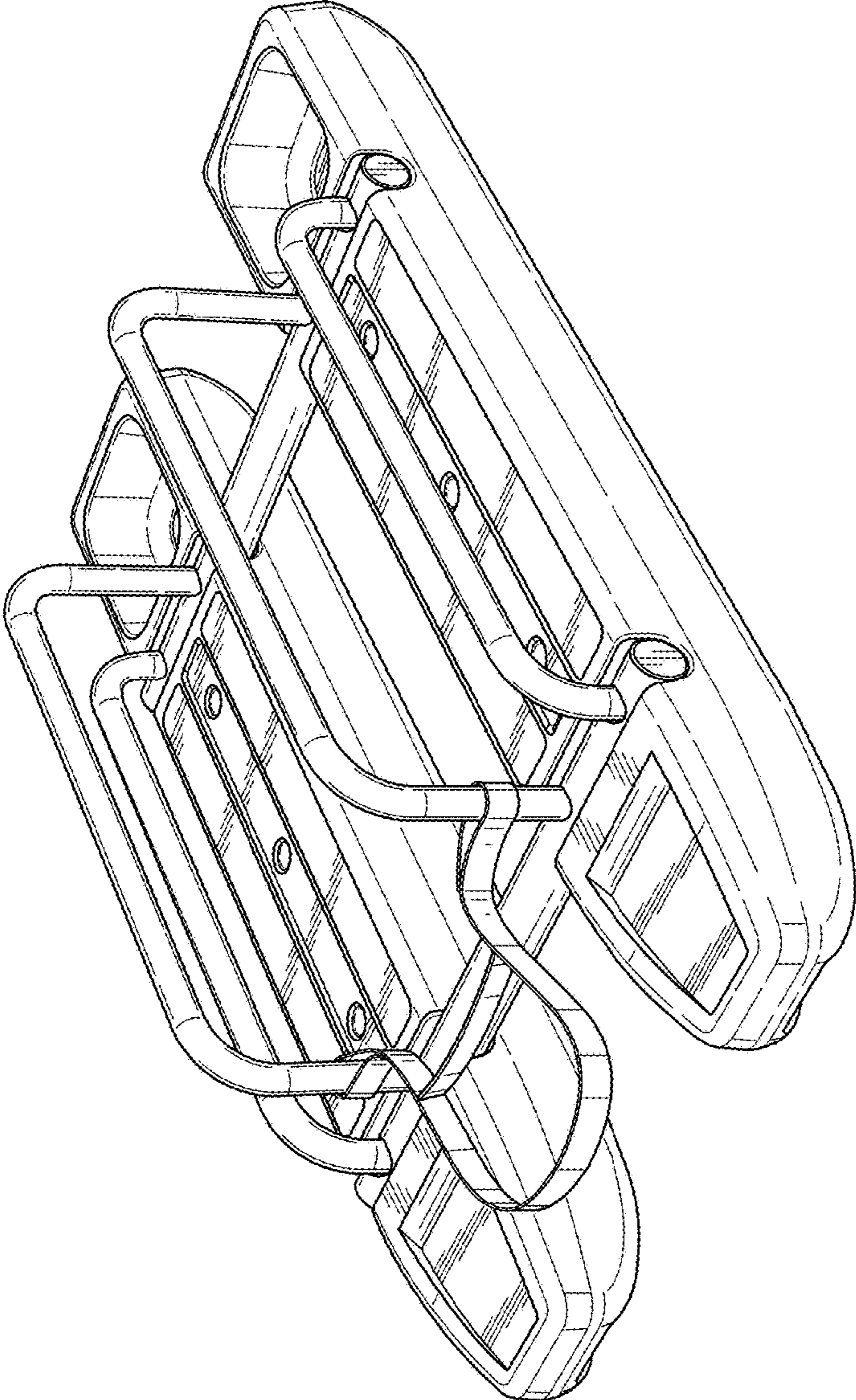


FIG. 1

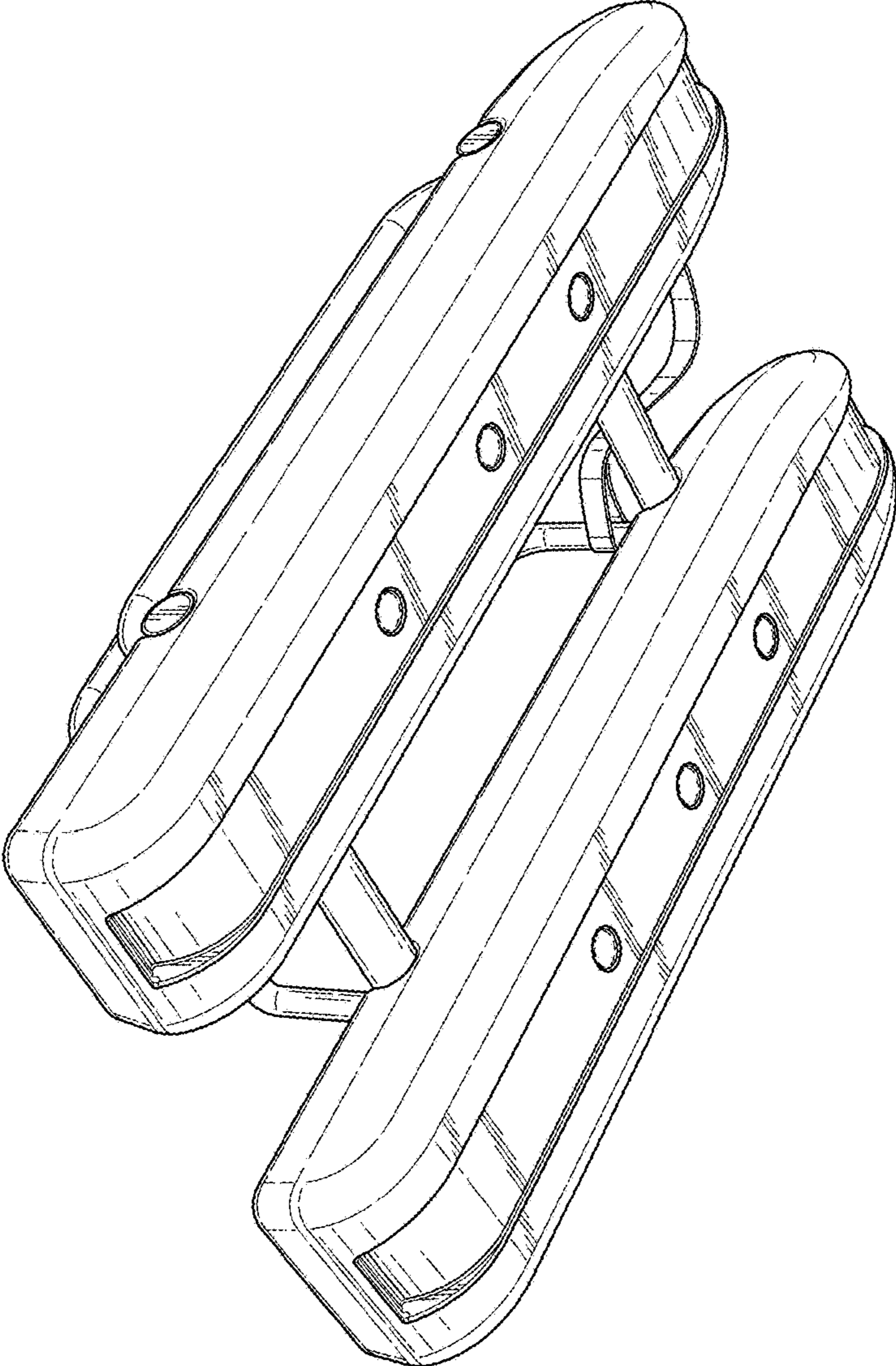


FIG. 2

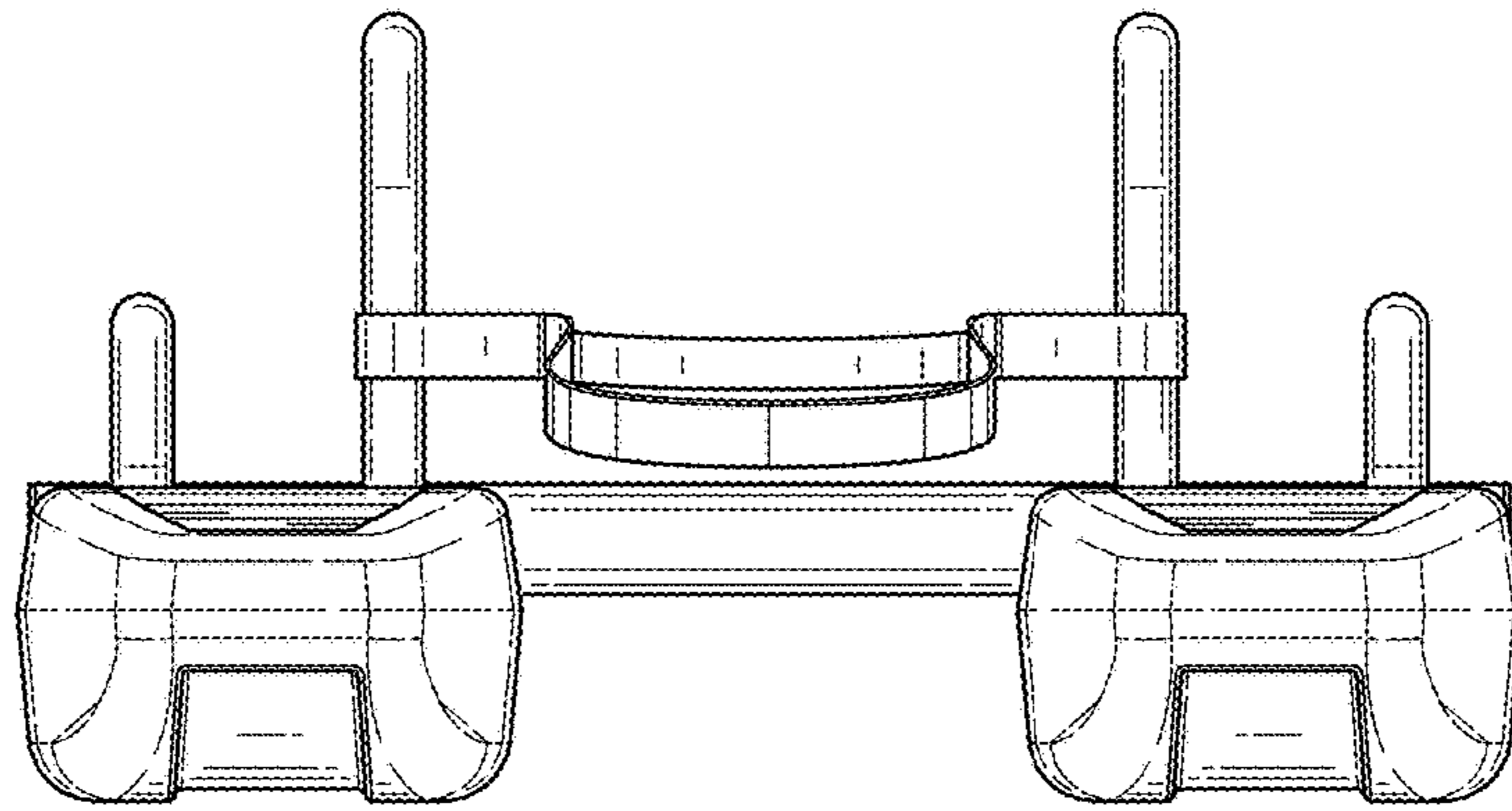


FIG. 3

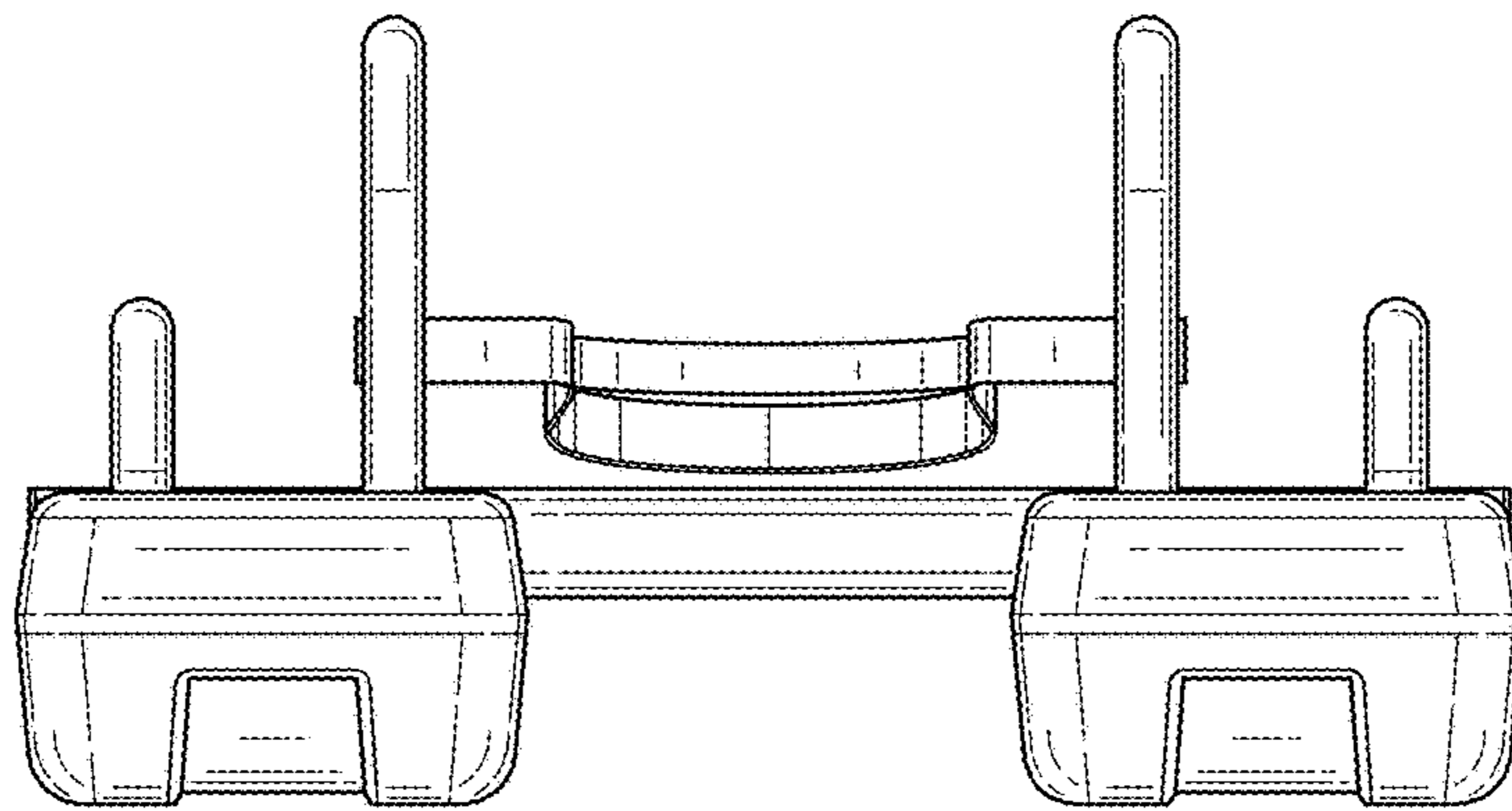


FIG. 4

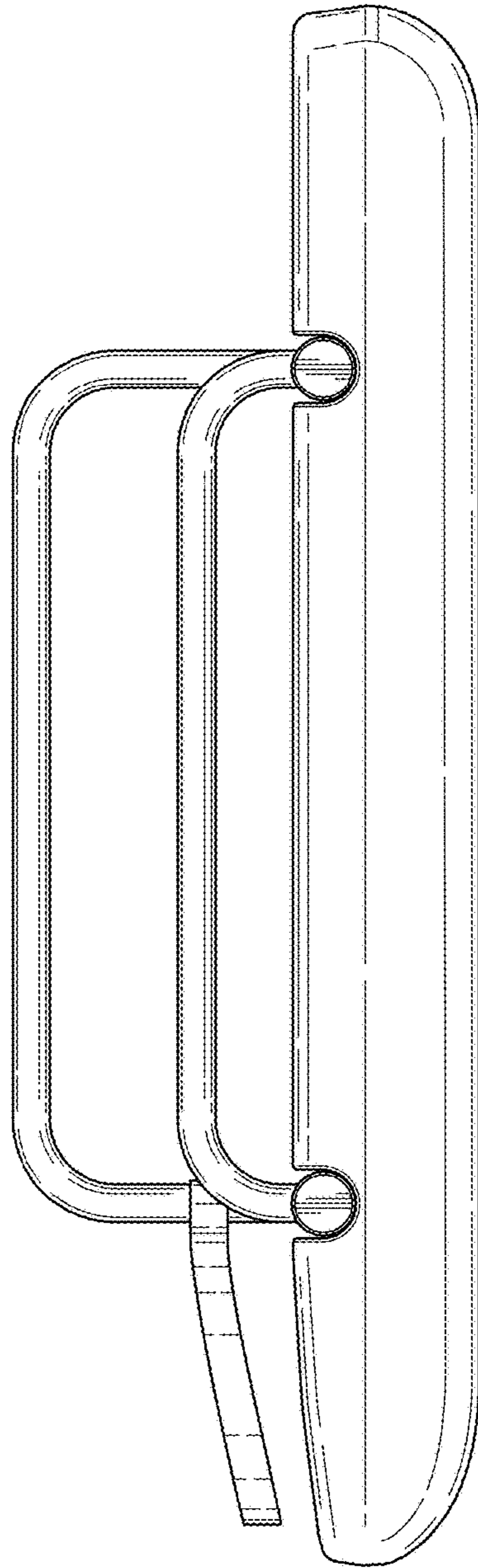


FIG. 5

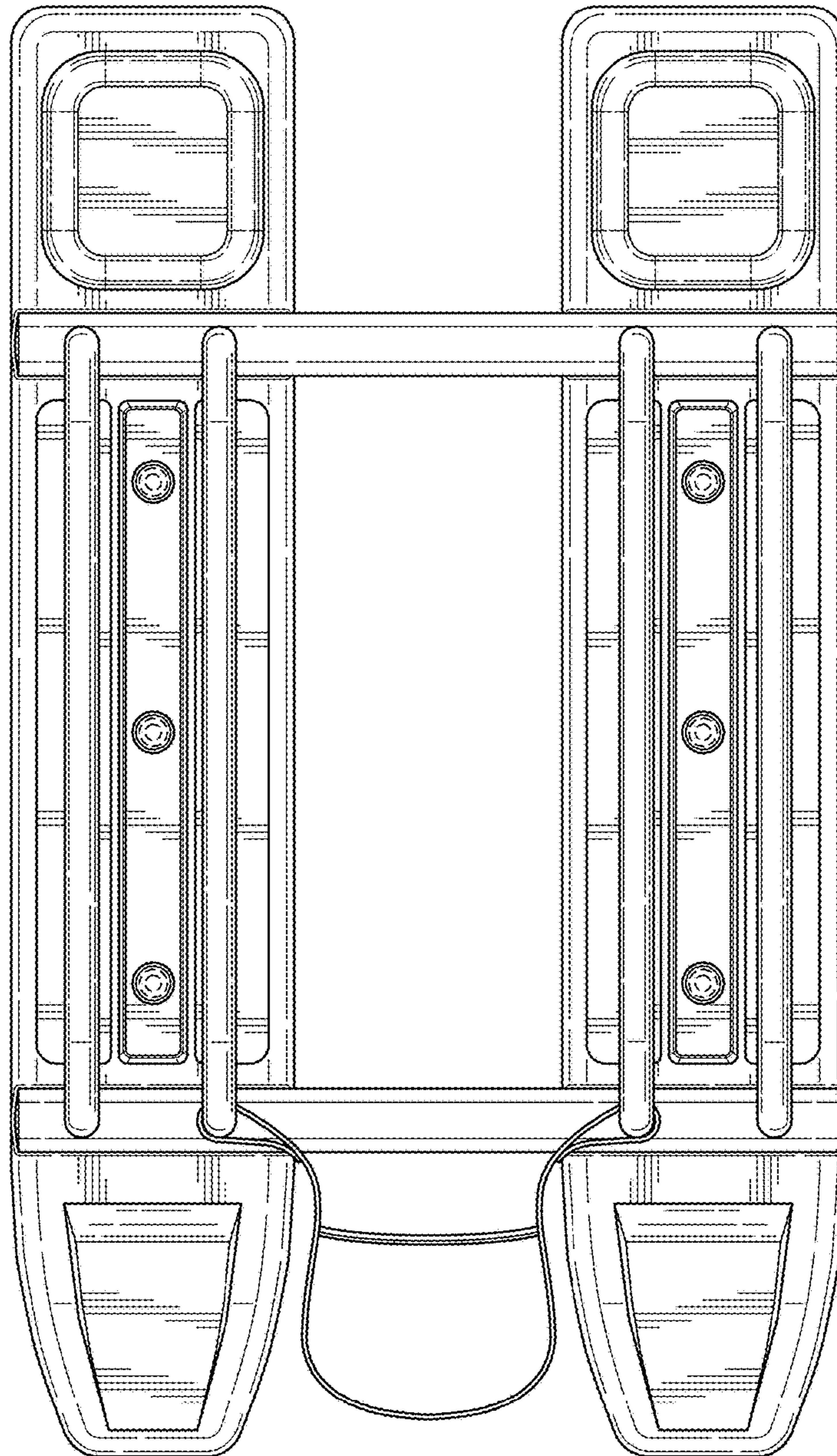


FIG. 6

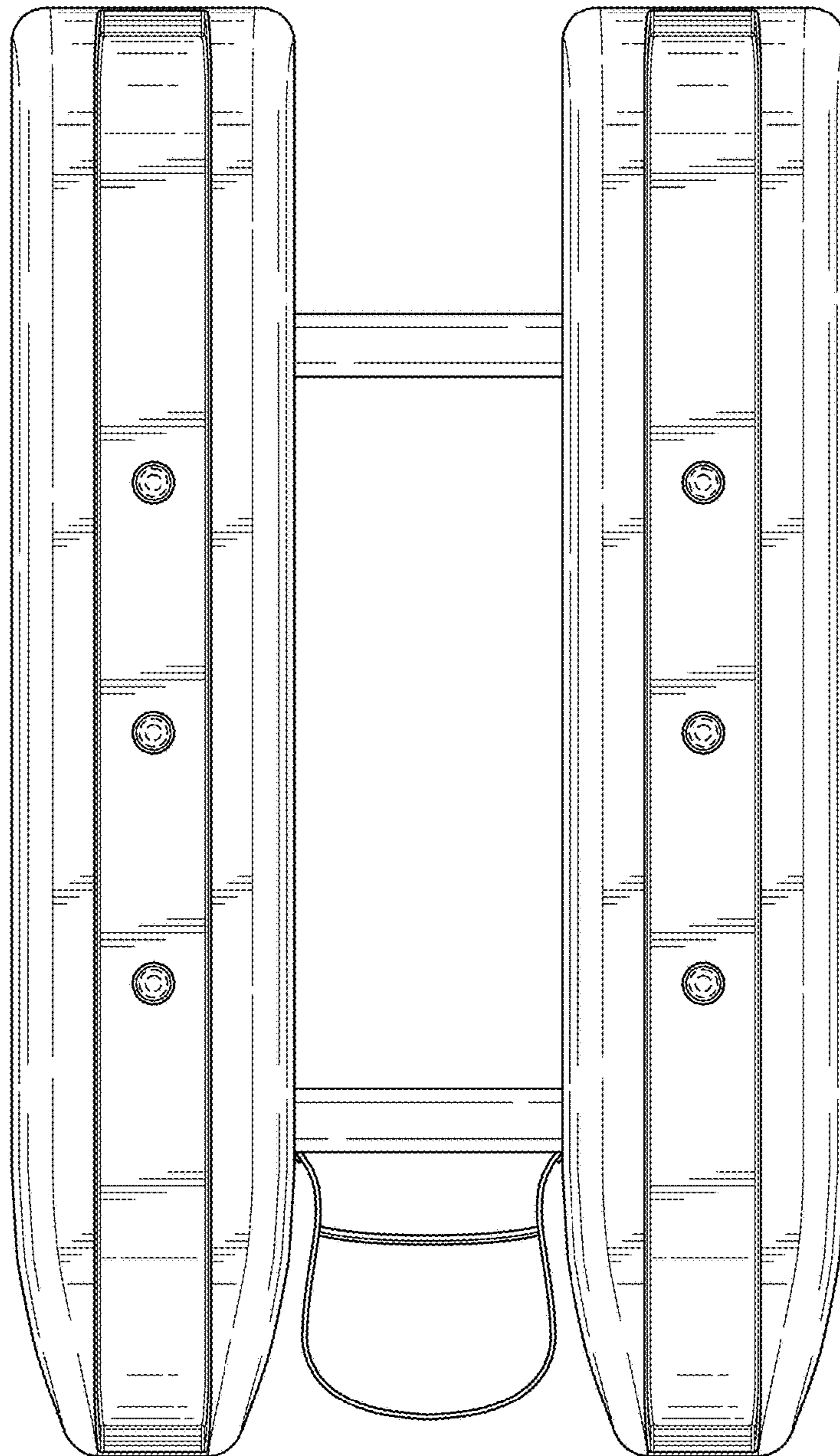


FIG. 7