



US00D845866S

(12) **United States Design Patent**
Kong

(10) **Patent No.:** **US D845,866 S**

(45) **Date of Patent:** **** Apr. 16, 2019**

(54) **WHEEL**

(71) Applicant: **Wheel Pros, LLC**, Greenwood Village,
CO (US)

(72) Inventor: **Berky Kong**, Hong Kong (HK)

(**) Term: **15 Years**

(21) Appl. No.: **29/648,935**

(22) Filed: **May 24, 2018**

(51) **LOC (11) Cl.** **12-16**

(52) **U.S. Cl.**

USPC **D12/211**

(58) **Field of Classification Search**

USPC D12/204–213

CPC B60B 7/00; B60B 7/02; B60B 7/04; B60B

7/01; B60B 3/02; B60B 3/04; B60B 3/06;

B60B 3/10; B60B 1/00; B60B 1/08;

B60B 1/10; B60B 1/12

See application file for complete search history.

(56) **References Cited**

U.S. PATENT DOCUMENTS

D235,431 S * 6/1975 Scott D12/205

D474,141 S * 5/2003 Foose D12/211

D717,224 S * 11/2014 Kim D12/211

D726,630 S * 4/2015 Kong D12/211

D727,829 S * 4/2015 Chung D12/211

D737,191 S * 8/2015 Chung D12/211

D740,735 S * 10/2015 Matsumura D12/211

D763,163 S * 8/2016 Chung D12/211

D790,427 S * 6/2017 Palana D12/211

D791,675 S * 7/2017 Guo D12/211

D831,559 S * 10/2018 Hodges D12/211

D838,649 S * 1/2019 Han D12/209

* cited by examiner

Primary Examiner — Stacia A Cadmus

(74) *Attorney, Agent, or Firm* — Eric Hanscom

(57) **CLAIM**

The ornamental design for a wheel, as shown and described.

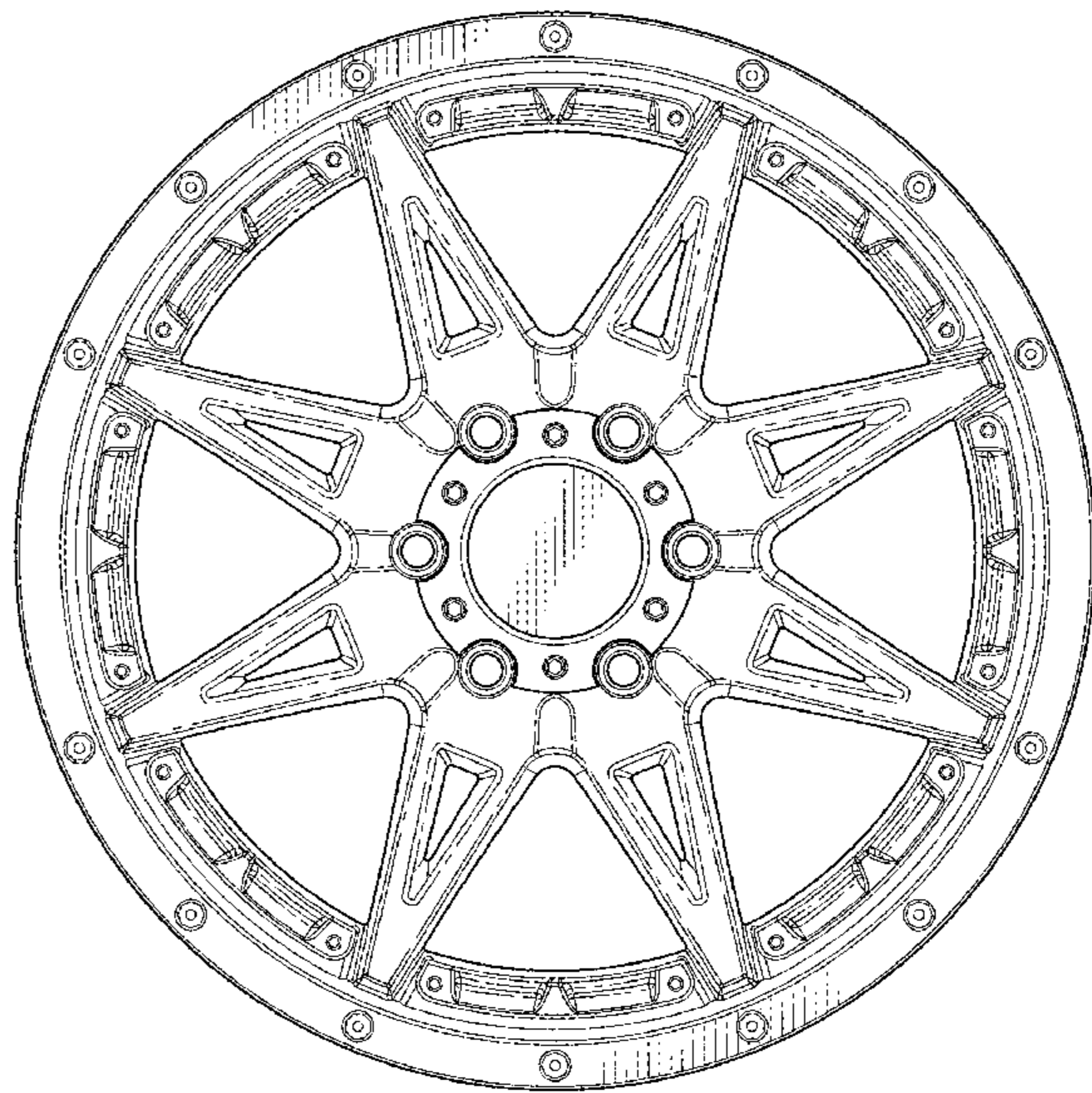
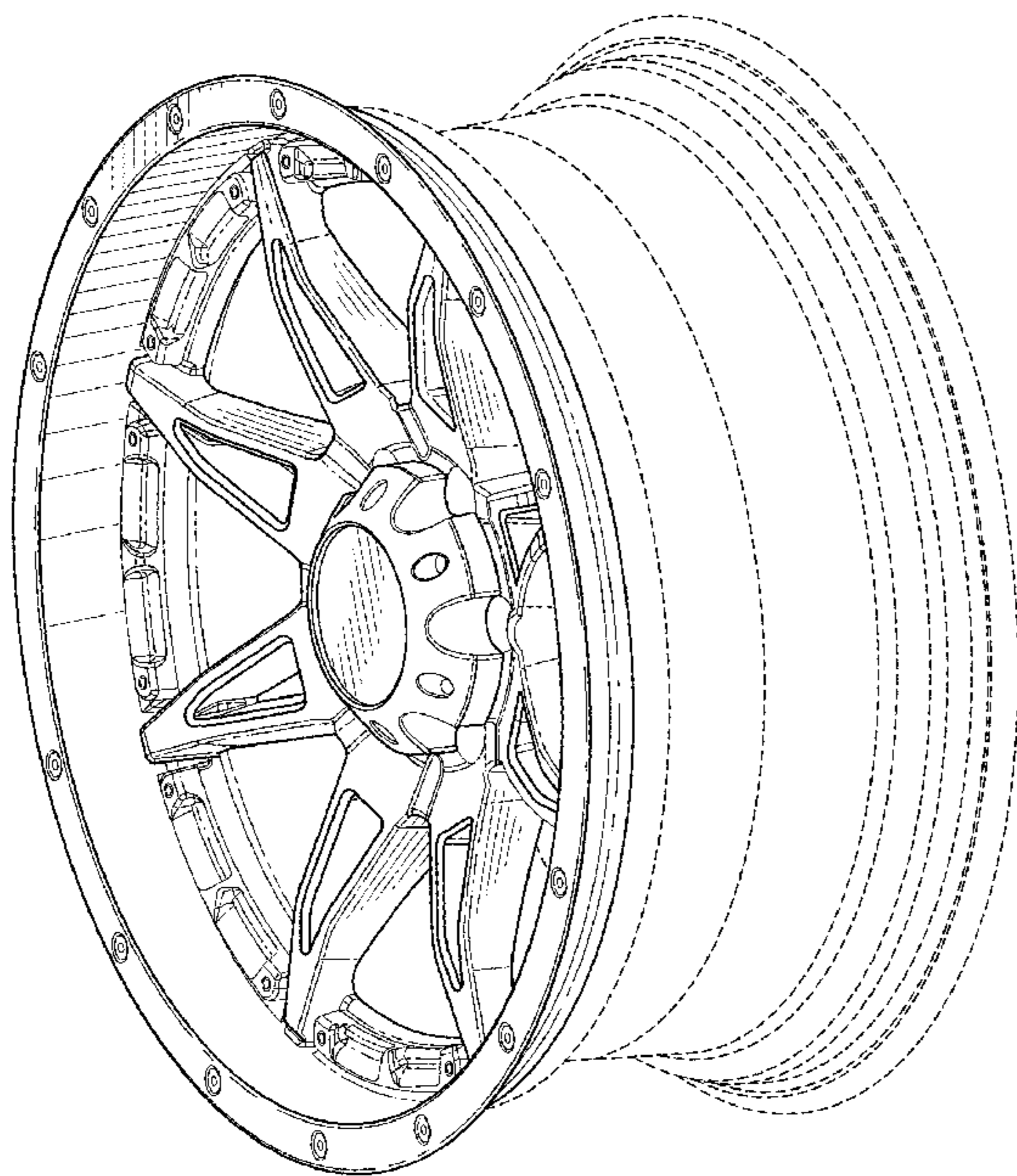
DESCRIPTION

FIG. 1 is a perspective view of a wheel showing my new design; and,

FIG. 2 is a front view thereof.

In the drawings, broken lines shown in the drawings depict environmental subject matter only and form no part of the claimed design.

1 Claim, 2 Drawing Sheets



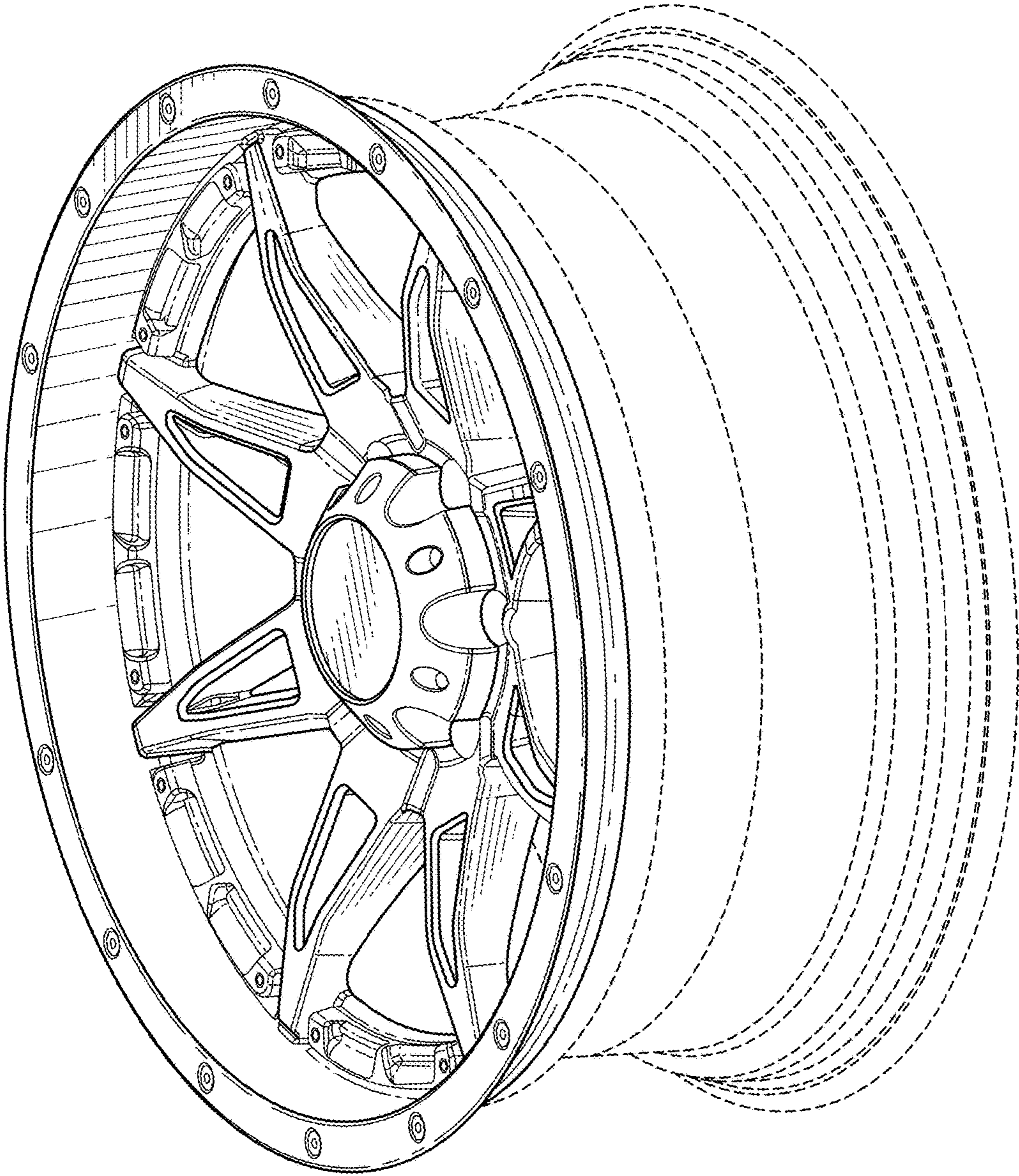


FIG. 1

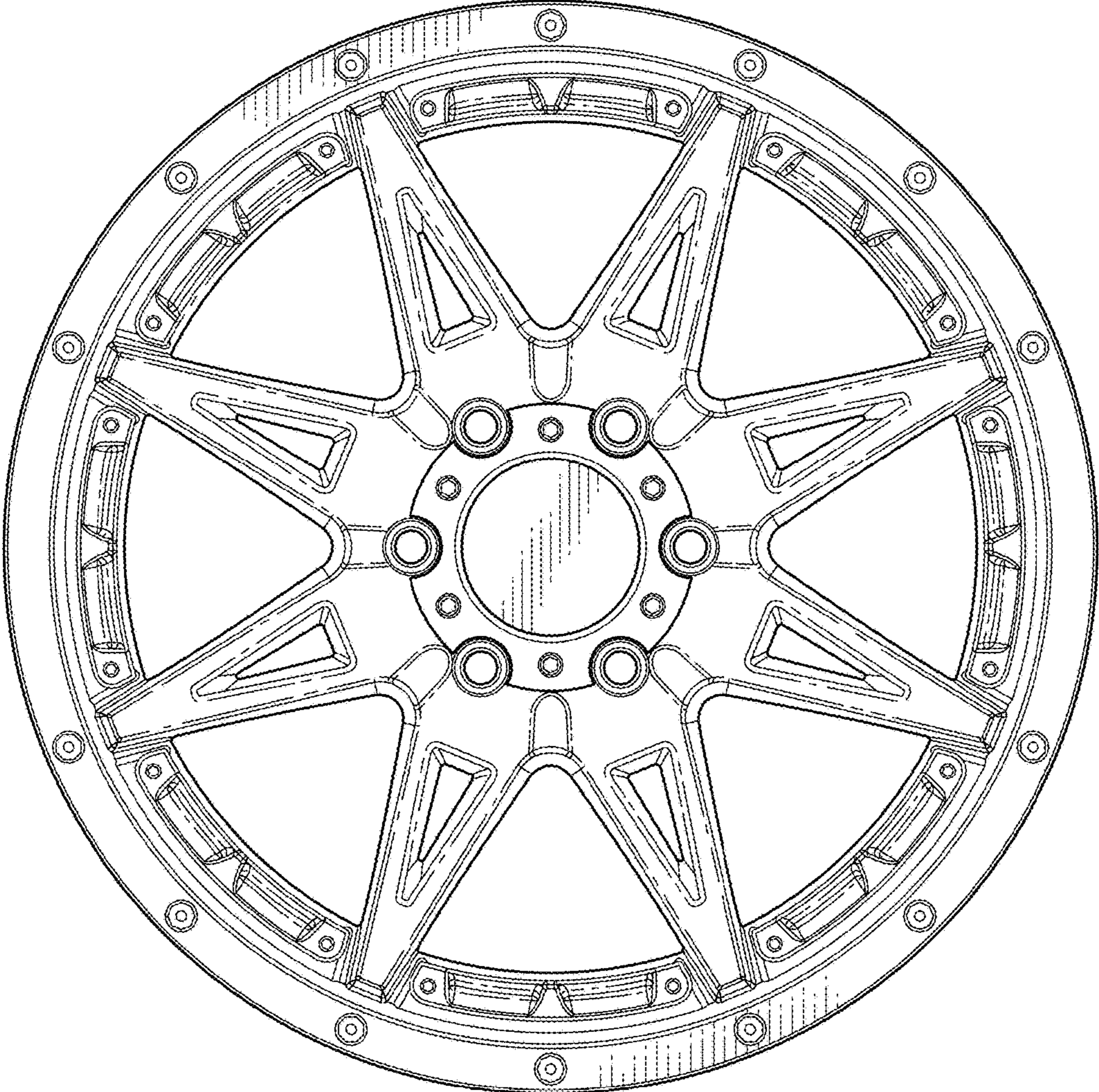


FIG. 2