



US00D845862S

(12) **United States Design Patent**
Kong

(10) **Patent No.:** **US D845,862 S**

(45) **Date of Patent:** **** Apr. 16, 2019**

(54) **WHEEL**

(71) Applicant: **Wheel Pros, LLC**, Greenwood Village,
CO (US)

(72) Inventor: **Berky Kong**, Hong Kong (HK)

(**) Term: **15 Years**

(21) Appl. No.: **29/649,637**

(22) Filed: **May 31, 2018**

(51) **LOC (11) Cl.** **12-16**

(52) **U.S. Cl.**
USPC **D12/209**

(58) **Field of Classification Search**
USPC D12/204–213
CPC B60B 7/00; B60B 7/02; B60B 7/04; B60B
7/01; B60B 7/06; B60B 3/02; B60B 3/04;
B60B 3/06; B60B 3/10; B60B 1/00;
B60B 1/08; B60B 1/10; B60B 1/12
See application file for complete search history.

(56) **References Cited**

U.S. PATENT DOCUMENTS

| | | | |
|--------------|--------|------------------|---------|
| D391,215 S * | 2/1998 | Cervati | D12/209 |
| D509,175 S * | 9/2005 | Marji | D12/209 |
| D515,003 S * | 2/2006 | Echazabal | D12/211 |
| D542,727 S * | 5/2007 | Manfredini | D12/211 |

| | | | |
|--------------|---------|-----------------------|---------|
| D604,221 S * | 11/2009 | Krisch | D12/211 |
| D677,207 S * | 3/2013 | Gotschke | D12/209 |
| D680,482 S * | 4/2013 | Gruner | D12/209 |
| D706,199 S * | 6/2014 | Chung | D12/211 |
| D735,102 S * | 7/2015 | Swanseger | D12/209 |
| D740,735 S * | 10/2015 | Matsumura | D12/211 |
| D747,249 S * | 1/2016 | Lemke | D12/209 |
| D778,222 S * | 2/2017 | Chung | D12/211 |
| D780,664 S * | 3/2017 | Gallert | D12/211 |
| D791,674 S * | 7/2017 | Valencia Pollex | D12/211 |
| D797,028 S * | 9/2017 | Chung | D12/211 |
| D828,800 S * | 9/2018 | Valencia Pollex | D12/209 |
| D838,227 S * | 1/2019 | Zhen | D12/209 |

* cited by examiner

Primary Examiner — Stacia A Cadmus

(74) *Attorney, Agent, or Firm* — Eric Hanscom

(57) **CLAIM**

The ornamental design for a wheel, as shown and described.

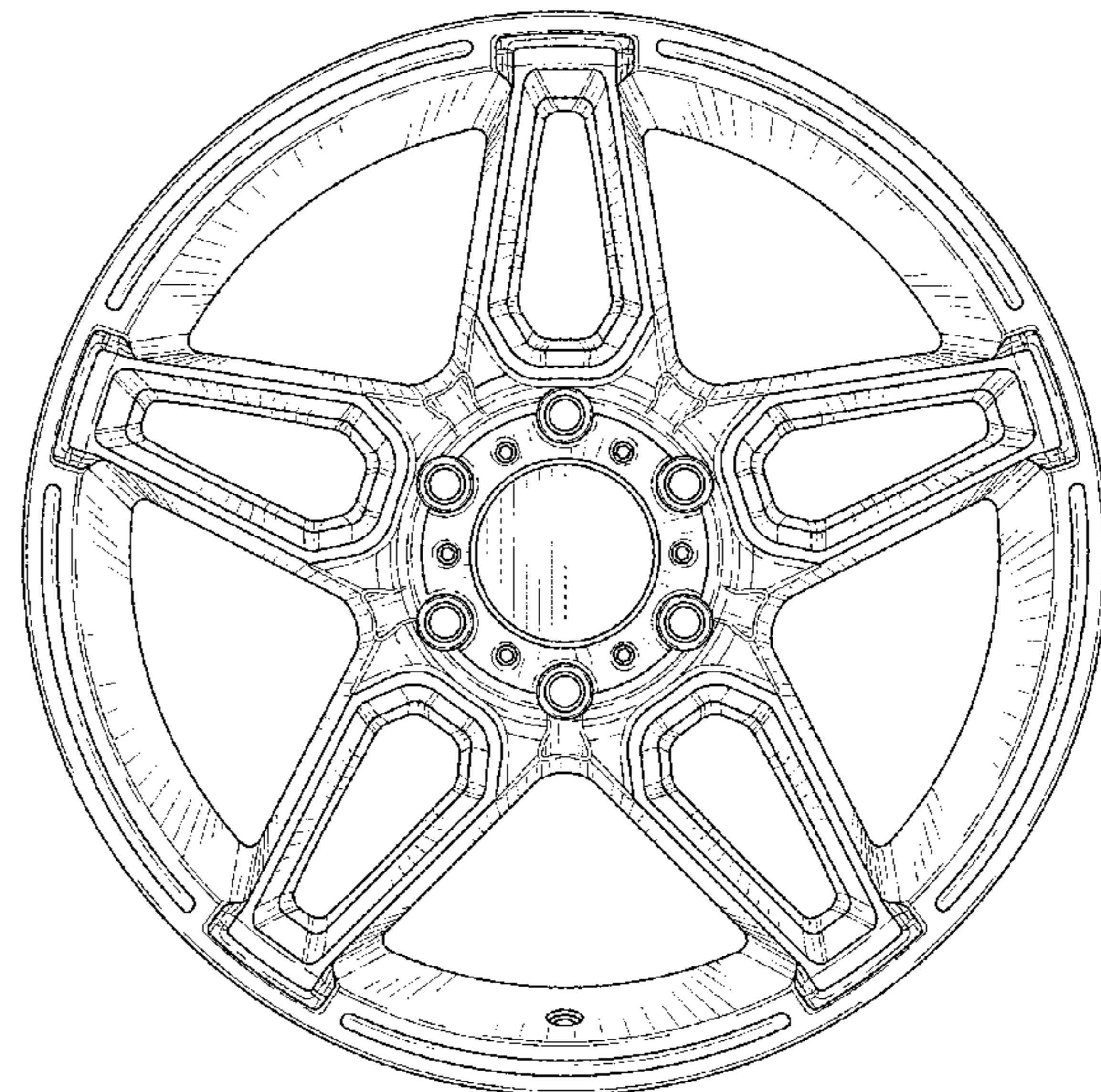
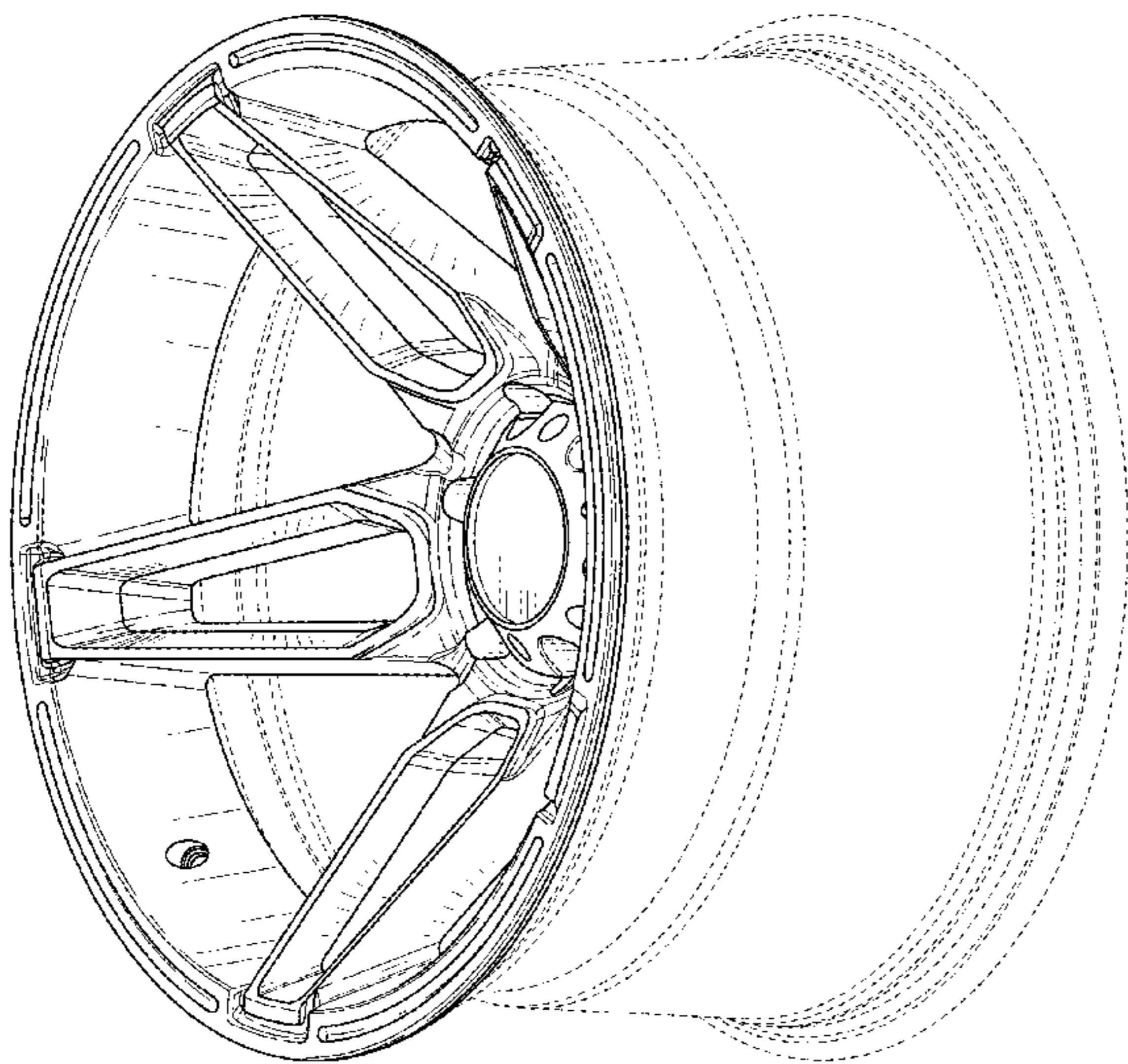
DESCRIPTION

FIG. 1 is a perspective view of a wheel showing my new design; and,

FIG. 2 is a front view thereof.

In the drawings, broken lines shown in the drawings depict environmental subject matter only and form no part of the claimed design.

1 Claim, 2 Drawing Sheets



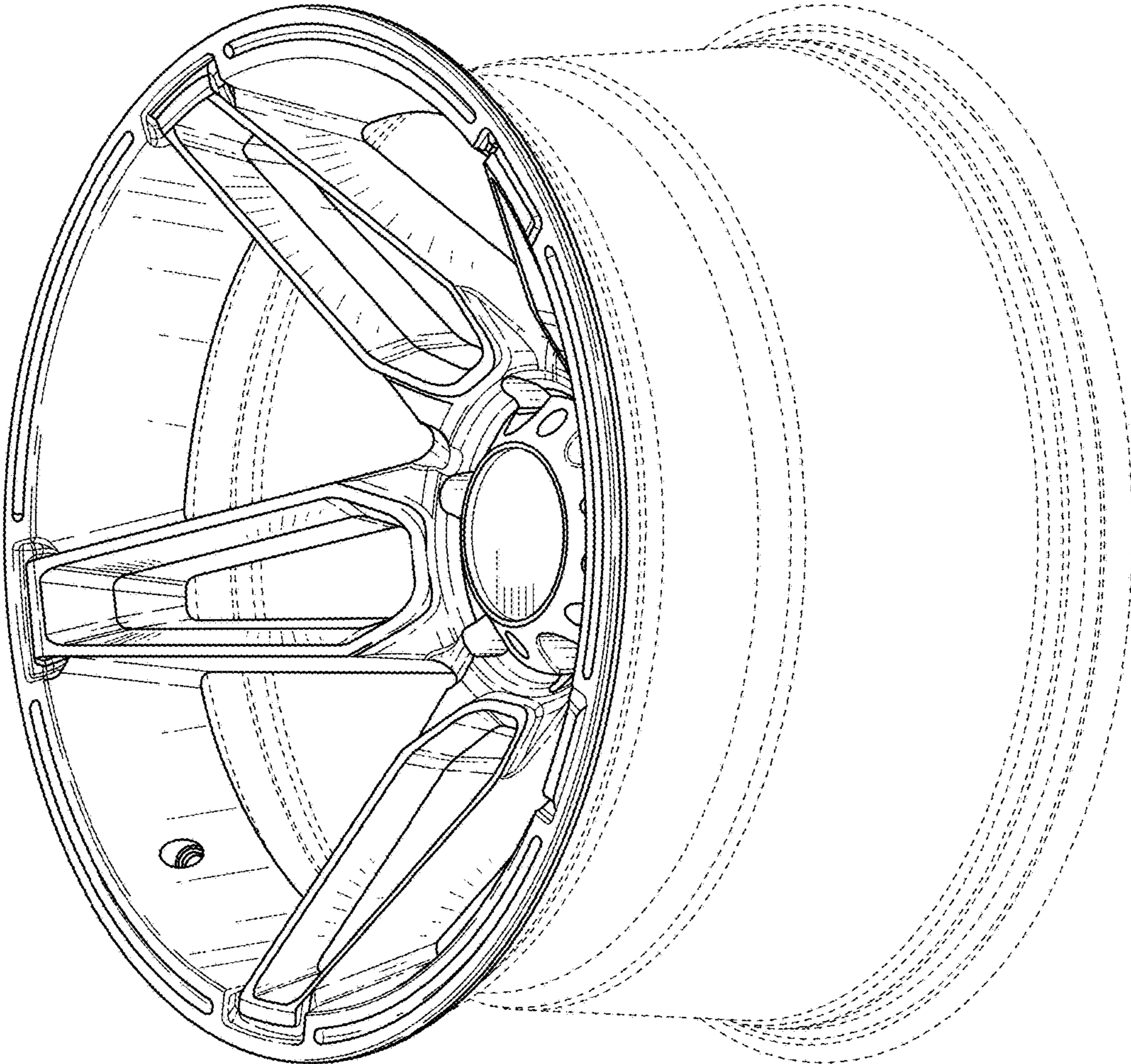


FIG. 1

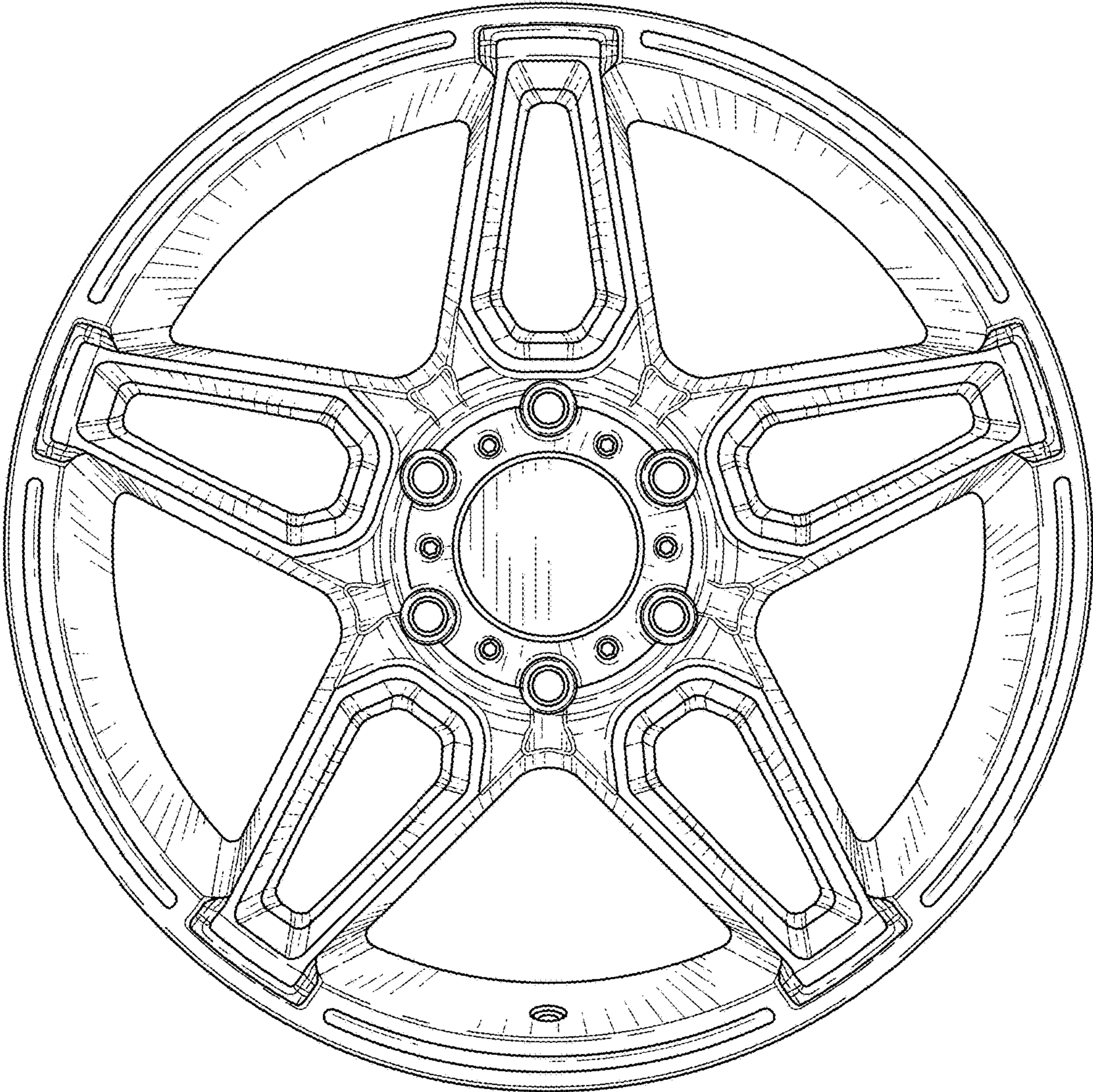


FIG. 2