



US00D845861S

(12) **United States Design Patent**
Tran

(10) **Patent No.:** **US D845,861 S**

(45) **Date of Patent:** **** Apr. 16, 2019**

- (54) **WHEEL**
- (71) Applicant: **Wheel Pros, LLC**, Greenwood Village, CO (US)
- (72) Inventor: **Peter Tran**, Lake Hughes, CA (US)
- (**) Term: **15 Years**
- (21) Appl. No.: **29/648,534**
- (22) Filed: **May 22, 2018**
- (51) **LOC (11) Cl.** **12-16**
- (52) **U.S. Cl.**
USPC **D12/209**
- (58) **Field of Classification Search**
USPC D12/204–213
See application file for complete search history.

- D504,859 S 5/2005 Sulahian
- D505,374 S 5/2005 Aleman
- D510,307 S 10/2005 Howes
- D513,218 S * 12/2005 Fitzgerald D12/209
- D513,486 S 1/2006 Rivera
- D519,433 S 4/2006 Finn
- D523,797 S 6/2006 Gallert
- D524,212 S 7/2006 Phillips
- D524,220 S 7/2006 Scheu
- D528,495 S 9/2006 Truebsbach
- D528,954 S 9/2006 Laengerer
- D535,601 S 1/2007 Beigel
- D536,652 S * 2/2007 Sulahian D12/211
- D538,726 S 3/2007 Wright
- D538,727 S 3/2007 Wright
- D539,203 S * 3/2007 Danbom D12/204
- D542,209 S 5/2007 Pfeiffer
- D549,148 S 8/2007 Buschmann
- D550,600 S 9/2007 Celik
- D552,525 S 10/2007 Celik
- D553,068 S 10/2007 Celik
- D569,777 S 5/2008 Chung
- D576,093 S 9/2008 Chung
- D576,936 S 9/2008 Imai

(Continued)

(56) **References Cited**

U.S. PATENT DOCUMENTS

- D273,102 S 3/1984 Woodward
- D291,796 S 9/1987 Reid
- D361,975 S 9/1995 Weld
- 5,676,430 A 10/1997 Wright
- D391,216 S 2/1998 Ballmann
- D408,775 S 4/1999 Shikado
- D453,492 S 2/2002 Laengerer
- D453,724 S 2/2002 Hodges
- D455,698 S 4/2002 Chung
- D464,010 S 10/2002 Chung
- D467,212 S 12/2002 Noriega
- D470,094 S 2/2003 van Hooydonk
- D478,542 S 8/2003 Sulahian
- D480,036 S 9/2003 Laengerer
- D482,996 S 12/2003 Sulahian
- D492,925 S 7/2004 Fitzgerald
- D496,317 S 9/2004 Kataoka
- D499,684 S 12/2004 Cheng
- D502,438 S 3/2005 Weld

Primary Examiner — Stacia A Cadmus

(74) *Attorney, Agent, or Firm* — Eric Hanscom

(57) **CLAIM**

The ornamental design for a wheel, as shown and described.

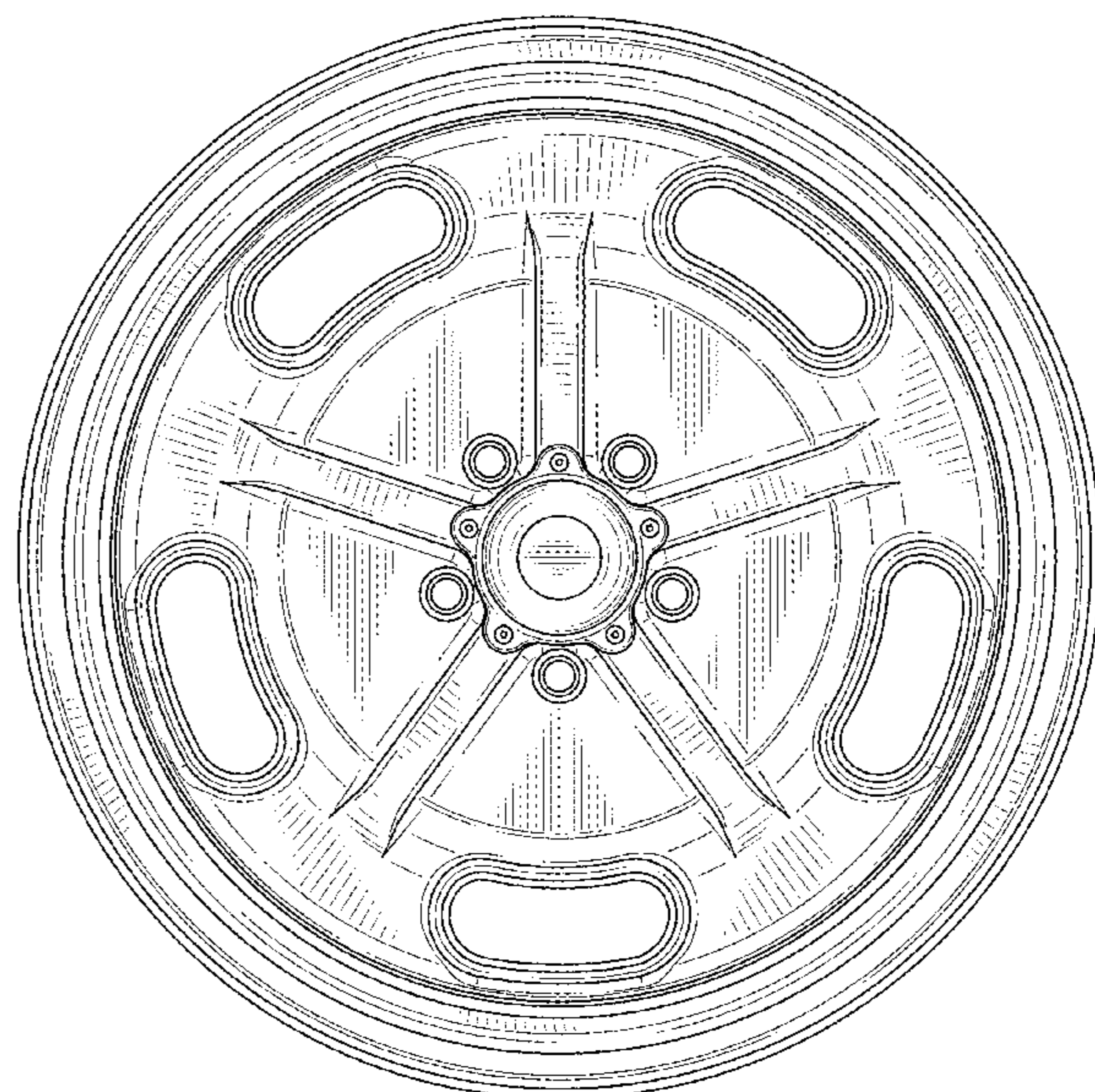
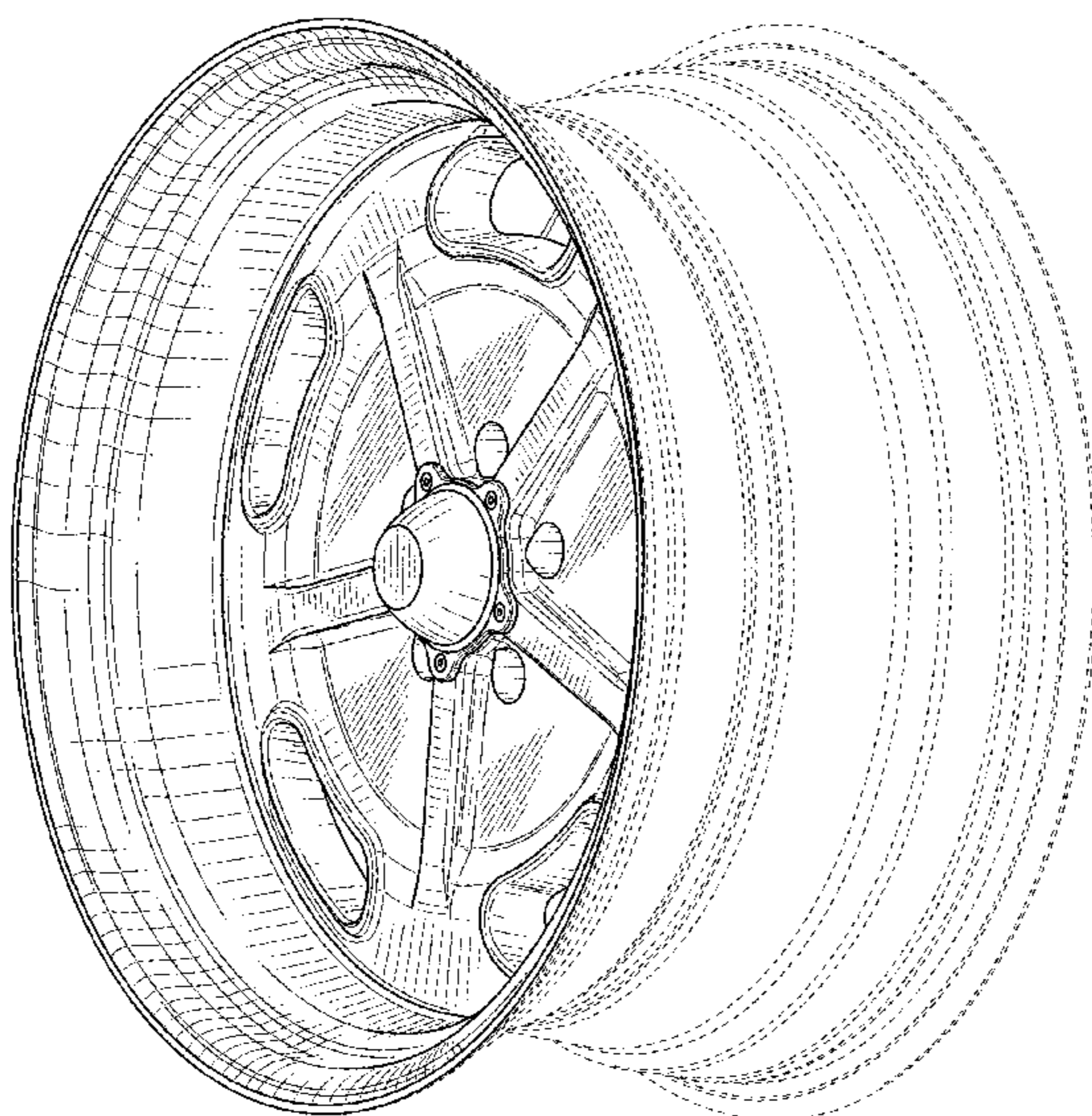
DESCRIPTION

FIG. 1 is a perspective view of a wheel showing my new design; and,

FIG. 2 is a front view thereof.

In the drawings, broken lines shown in the drawings depict environmental subject matter only and form no part of the claimed design.

1 Claim, 2 Drawing Sheets



(56)

References Cited

U.S. PATENT DOCUMENTS

| | | | | | |
|------------|---------|---------------|--------------|---------|---------------------|
| D577,650 S | 9/2008 | Chung | D704,117 S | 5/2014 | Chung |
| D578,457 S | 10/2008 | Guidry | D704,617 S | 5/2014 | Chung |
| D579,845 S | 11/2008 | Chung | D706,197 S | 6/2014 | Chung |
| D582,827 S | 12/2008 | Musser | D707,167 S | 6/2014 | Chung |
| D582,831 S | 12/2008 | Musser | D709,020 S | 7/2014 | Chung |
| D583,290 S | 12/2008 | Wang | D711,304 S | 8/2014 | Chung |
| D585,801 S | 2/2009 | Wang | D713,316 S | 9/2014 | Song |
| D596,099 S | 7/2009 | Chung | D714,207 S | 9/2014 | Kim |
| D598,357 S | 8/2009 | Chung | D714,705 S | 10/2014 | Kong |
| D599,266 S | 9/2009 | Bierenbreier | D714,706 S | 10/2014 | Chung |
| D612,316 S | 3/2010 | Sanschagrinn | D715,211 S | 10/2014 | Gotschke |
| D613,659 S | 4/2010 | Cortes | D717,709 S | 11/2014 | Valencia Pollex |
| D617,723 S | 6/2010 | Zhao | D719,893 S | 12/2014 | Kim |
| D619,073 S | 7/2010 | Groom | D726,628 S | 4/2015 | Kong |
| D620,864 S | 8/2010 | Groom | D726,630 S | 4/2015 | Kong |
| D620,873 S | 8/2010 | Groom | D731,946 S | 6/2015 | Chung |
| D623,109 S | 9/2010 | Markefka | D733,027 S | 6/2015 | Chung |
| D625,235 S | 10/2010 | Nissl | D735,104 S | 7/2015 | Hodges |
| D627,697 S | 11/2010 | Wang | D739,803 S | 9/2015 | Miansian |
| D635,903 S | 4/2011 | Zhang | D742,293 S | 11/2015 | Chung |
| D638,767 S | 5/2011 | Groom | D748,556 S | 2/2016 | Valencia Pollex |
| D651,150 S | 12/2011 | Blewer | D749,030 S | 2/2016 | Zhao |
| D651,151 S | 12/2011 | Blewer | D749,482 S | 2/2016 | Schroeder |
| D654,007 S | 2/2012 | Nissl | D750,003 S | 2/2016 | Ahmad |
| D654,420 S | 2/2012 | Guay | 9,266,386 B2 | 2/2016 | Wang |
| D660,771 S | 5/2012 | Mueller-Stolz | D753,046 S | 4/2016 | Liffick |
| D666,960 S | 9/2012 | Chung | D755,694 S | 5/2016 | Valencia Pollex |
| D669,009 S | 10/2012 | Chung | D756,287 S | 5/2016 | Koglin |
| D680,938 S | 4/2013 | Hale | D756,882 S | 5/2016 | Tirado |
| D682,762 S | 5/2013 | Hale, Jr. | D764,373 S | 8/2016 | Valencia Pollex |
| D684,516 S | 6/2013 | Bennion | D766,805 S | 9/2016 | Chung |
| D686,961 S | 7/2013 | Chung | D769,166 S | 10/2016 | Juergens |
| D695,193 S | 12/2013 | Kong | D769,785 S | 10/2016 | Wells |
| D698,298 S | 1/2014 | Cortes | D770,960 S | 11/2016 | Svensson |
| D698,300 S | 1/2014 | Chung | D775,578 S | 1/2017 | Johnson |
| D702,172 S | 4/2014 | Chung | D780,655 S | 3/2017 | Trim |
| D704,116 S | 5/2014 | Chung | D788,670 S * | 6/2017 | Chung D12/209 |
| | | | D791,667 S | 7/2017 | Prasad |

* cited by examiner

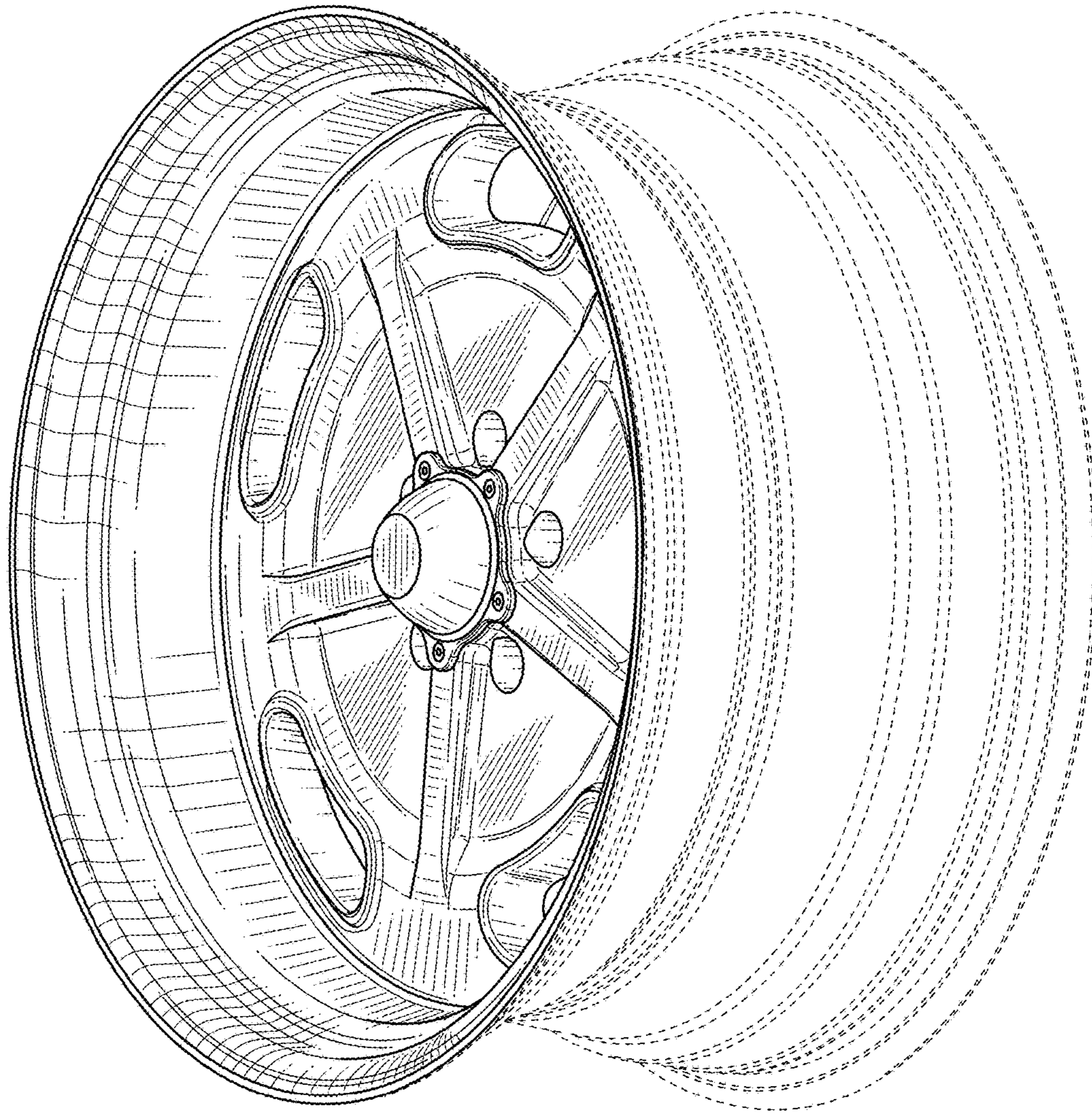


FIG. 1

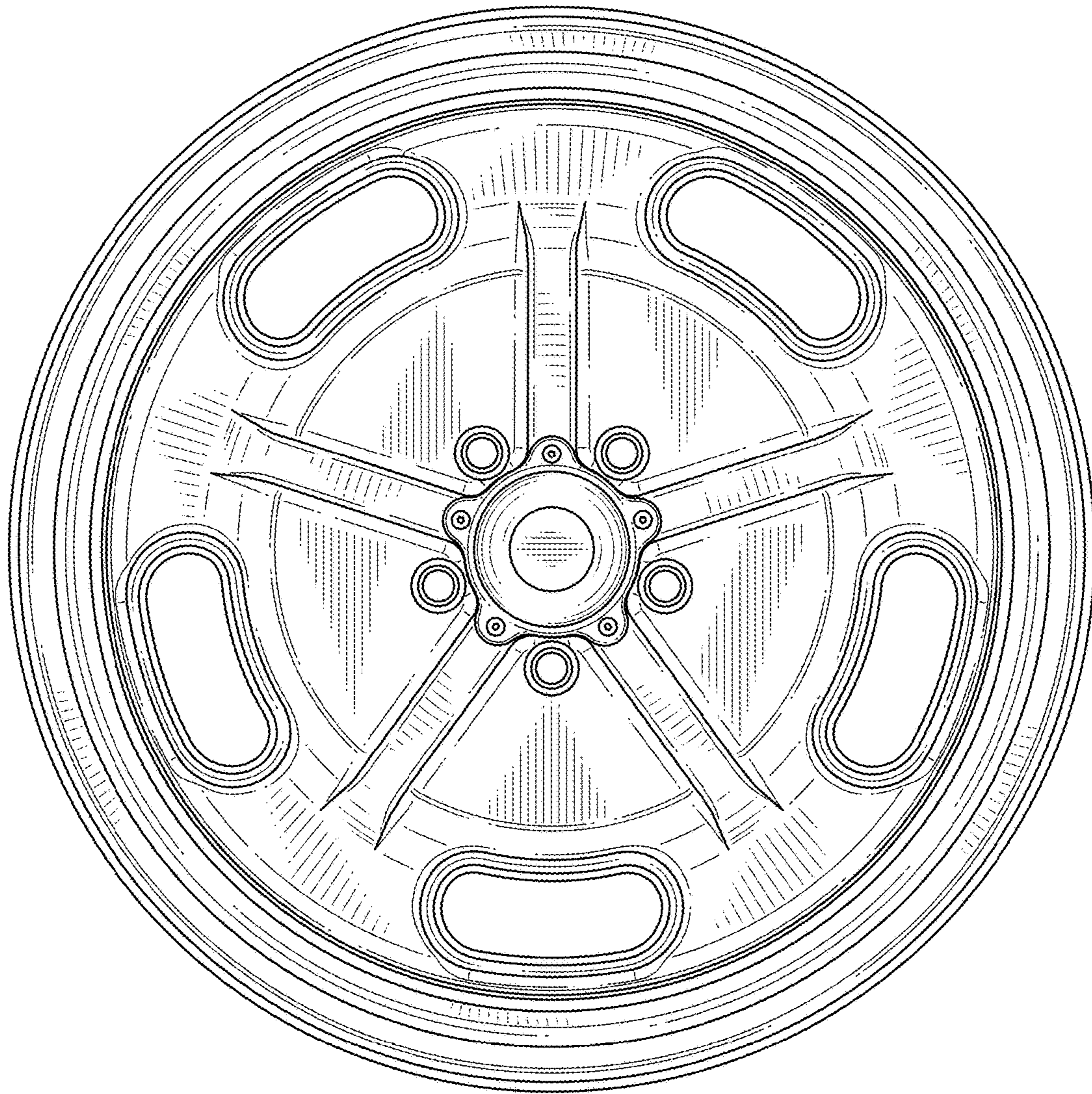


FIG. 2