



US00D845858S

(12) **United States Design Patent**
Chu et al.

(10) **Patent No.:** **US D845,858 S**

(45) **Date of Patent:** **** Apr. 16, 2019**

(54) **WHEEL OR WHEEL COVER**

(71) Applicant: **Daimler AG**, Stuttgart (DE)

(72) Inventors: **Edgar Chu**, Stuttgart (DE); **Bernhard Hans**, Kirchberg (DE)

(73) Assignee: **Daimler AG**, Stuttgart (DE)

(**) Term: **15 Years**

(21) Appl. No.: **29/621,707**

(22) Filed: **Oct. 11, 2017**

(30) **Foreign Application Priority Data**

Apr. 12, 2017 (EM) 003853894

(51) **LOC (11) Cl.** **12-16**

(52) **U.S. Cl.**
USPC **D12/209**

(58) **Field of Classification Search**
USPC D12/204–213; D21/533, 561, 563
CPC B60B 7/00; B60B 7/02; B60B 7/04; B60B 7/06; B60B 3/02; B60B 3/04; B60B 3/06; B60B 3/10; B60B 1/00; B60B 1/08; B60B 1/10; B60B 1/12
See application file for complete search history.

(56) **References Cited**

U.S. PATENT DOCUMENTS

D535,934 S * 1/2007 Scheu D12/211
D645,391 S * 9/2011 Weil D12/209

D680,482 S * 4/2013 Gruner D12/209
D729,719 S * 5/2015 Muntada Roura D12/209
D735,102 S * 7/2015 Swanseger D12/209
D744,396 S * 12/2015 d’Orville D12/209
D744,398 S * 12/2015 Nissl D12/209
D747,249 S * 1/2016 Lemke D12/209
D749,484 S * 2/2016 Stopka D12/209
D763,763 S * 8/2016 Stone D12/209
D773,370 S * 12/2016 Bucher D12/211
D797,635 S * 9/2017 Rueckheim D12/209
D808,324 S * 1/2018 Ninov D12/211
D821,283 S * 6/2018 Juergens D12/209
D835,559 S * 12/2018 Langhals D12/209

* cited by examiner

Primary Examiner — Sheryl Lane

Assistant Examiner — Calvin E Vansant

(74) *Attorney, Agent, or Firm* — Crowell & Moring LLP

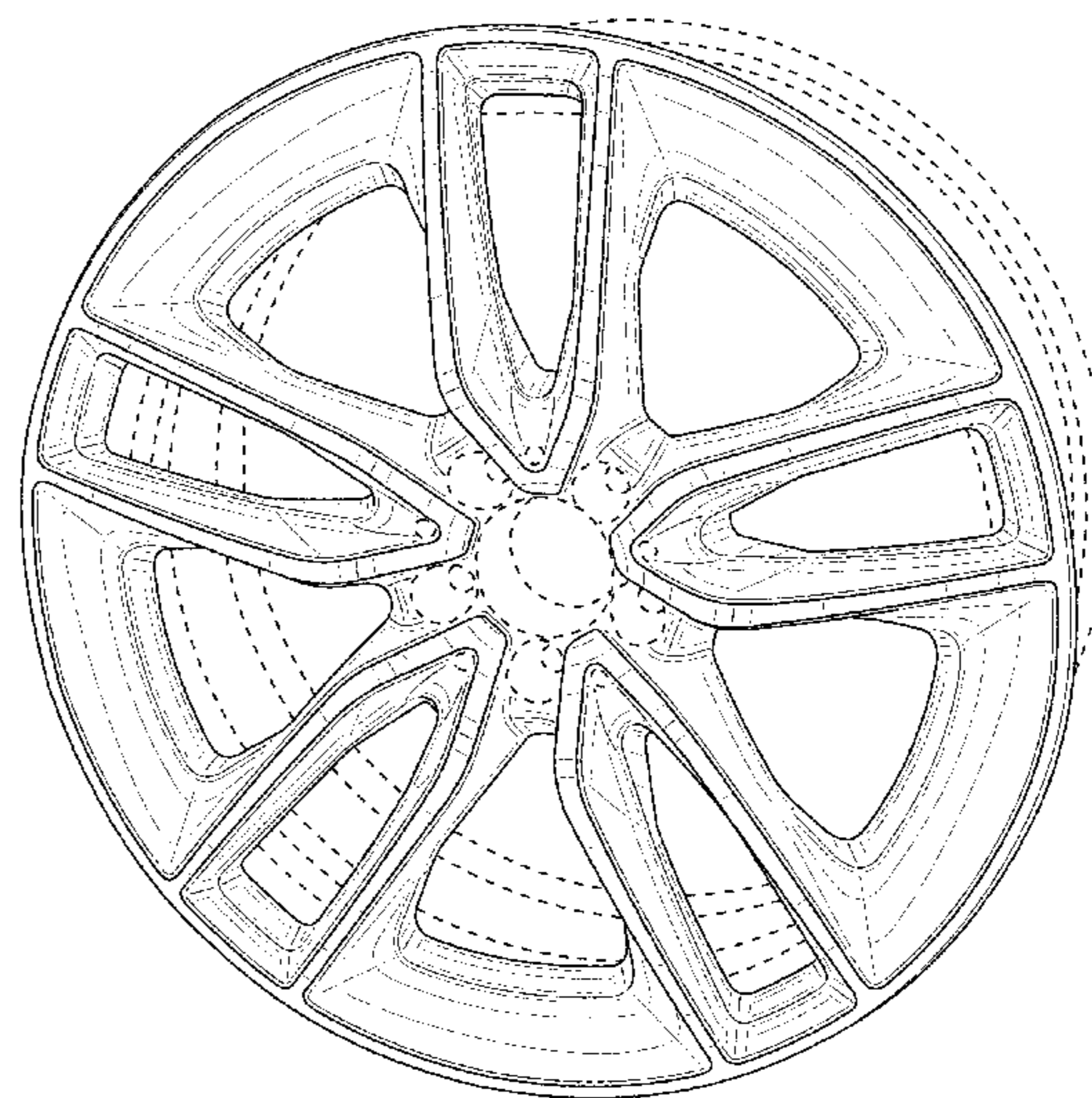
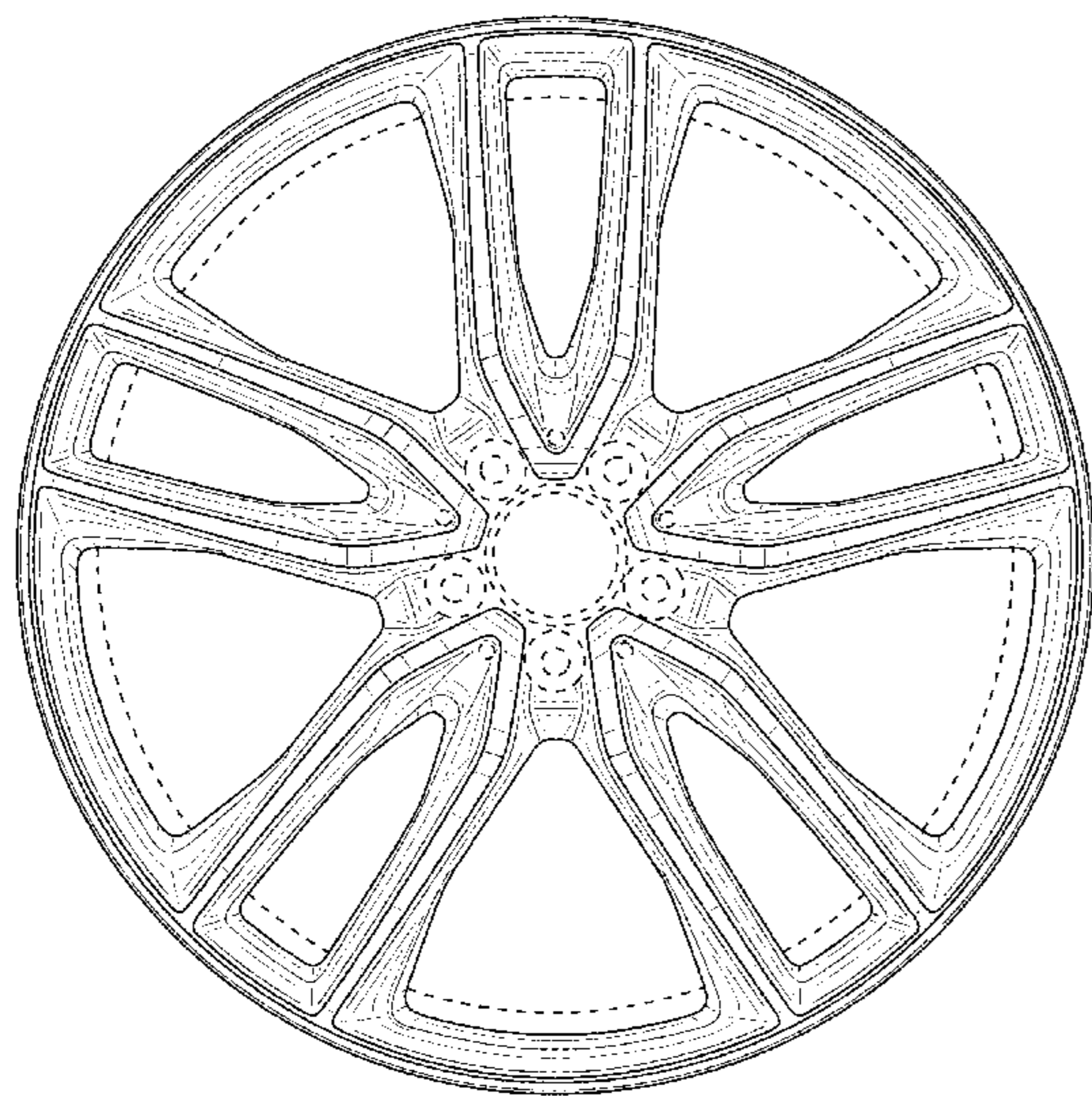
(57) **CLAIM**

The ornamental design for a wheel or wheel cover, as shown and described.

DESCRIPTION

FIG. 1 is a front view of a first embodiment of a wheel or wheel cover according to the design; and
FIG. 2 is a perspective view thereof.
FIG. 3 is a front view of a second embodiment of the wheel or wheel cover according to the design; and,
FIG. 4 is a perspective view thereof.
The broken lines in the drawings illustrate environmental subject matter only and form no part of the claimed design.

1 Claim, 4 Drawing Sheets



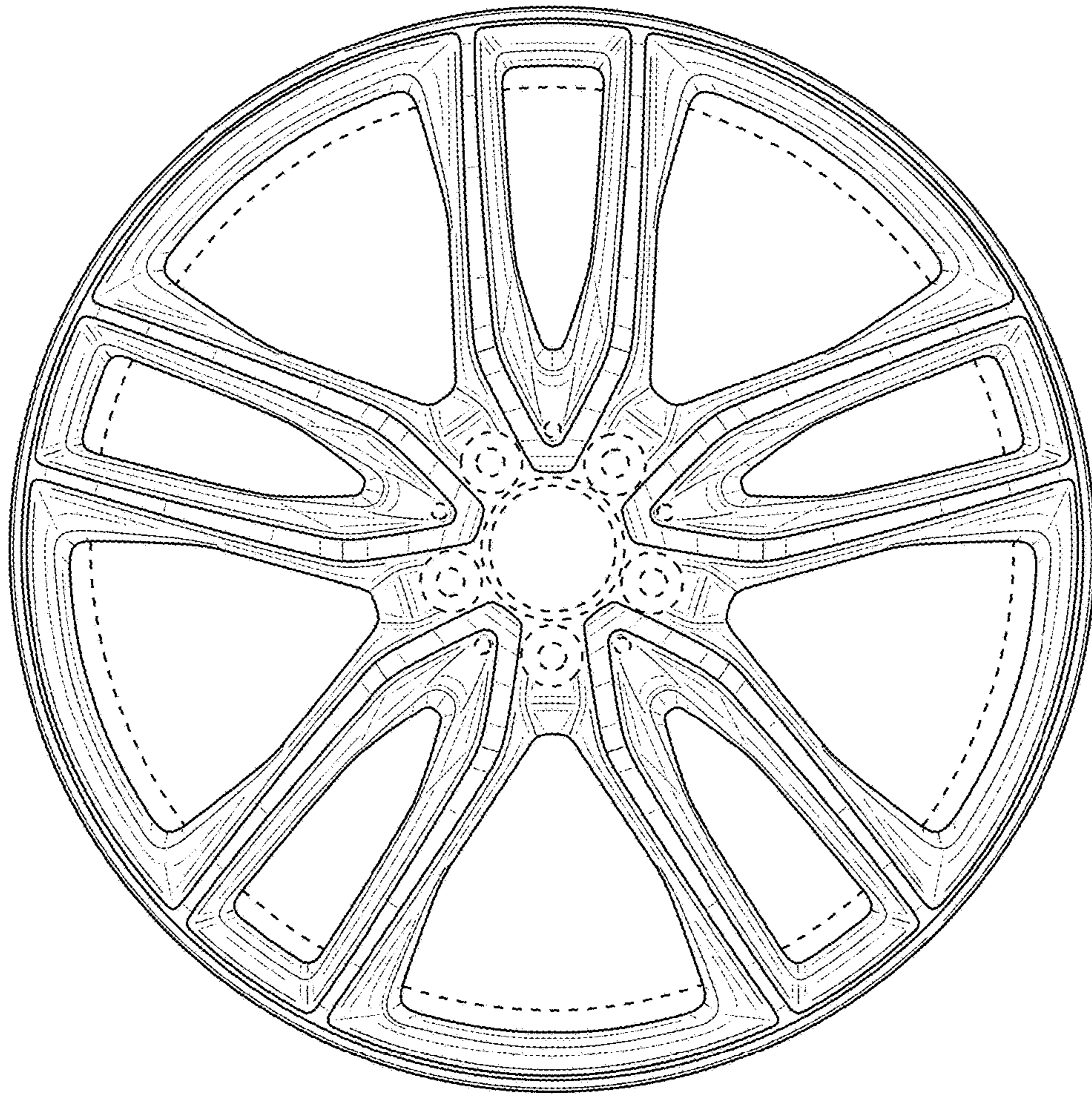


FIG. 1

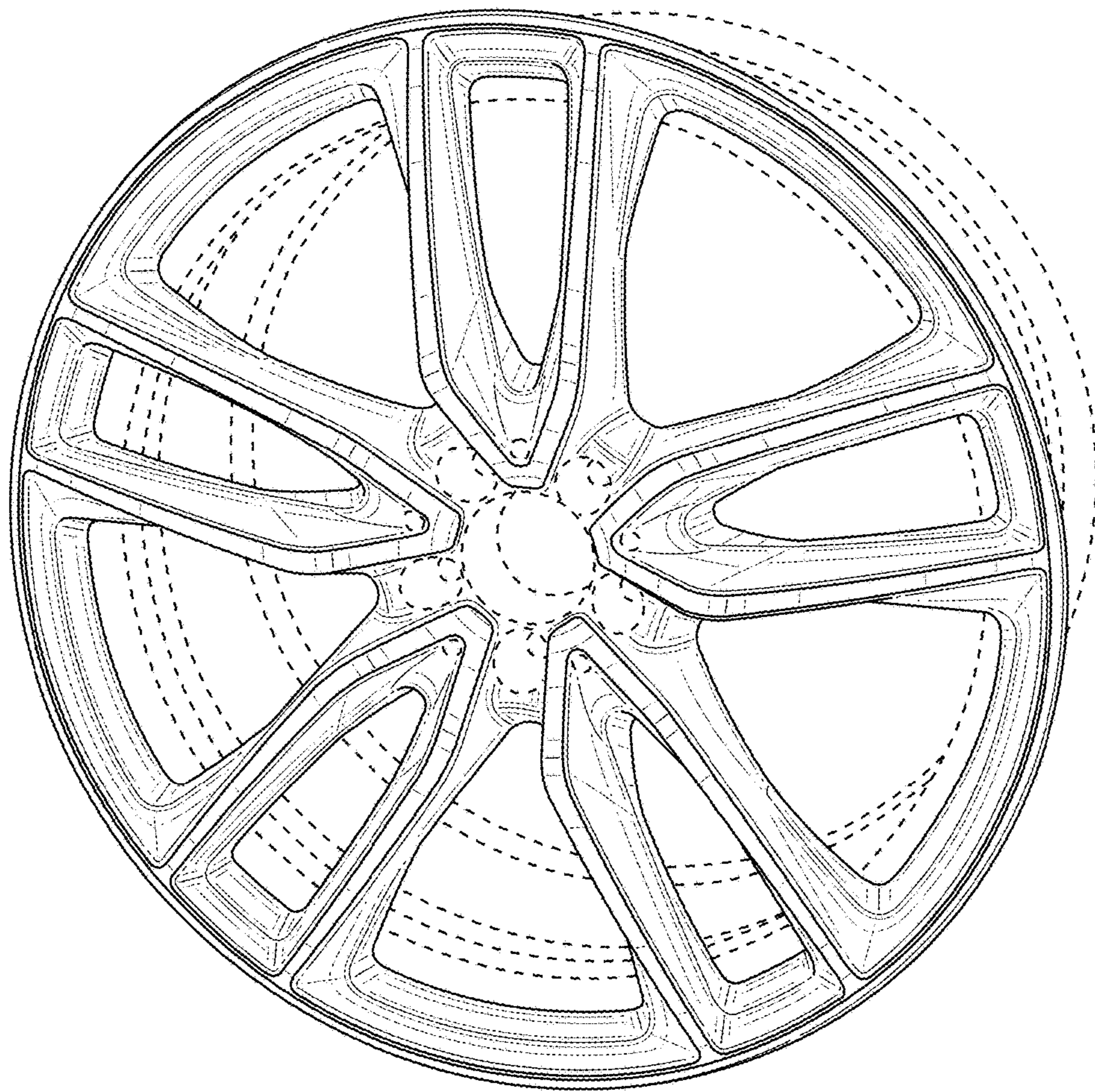


FIG. 2

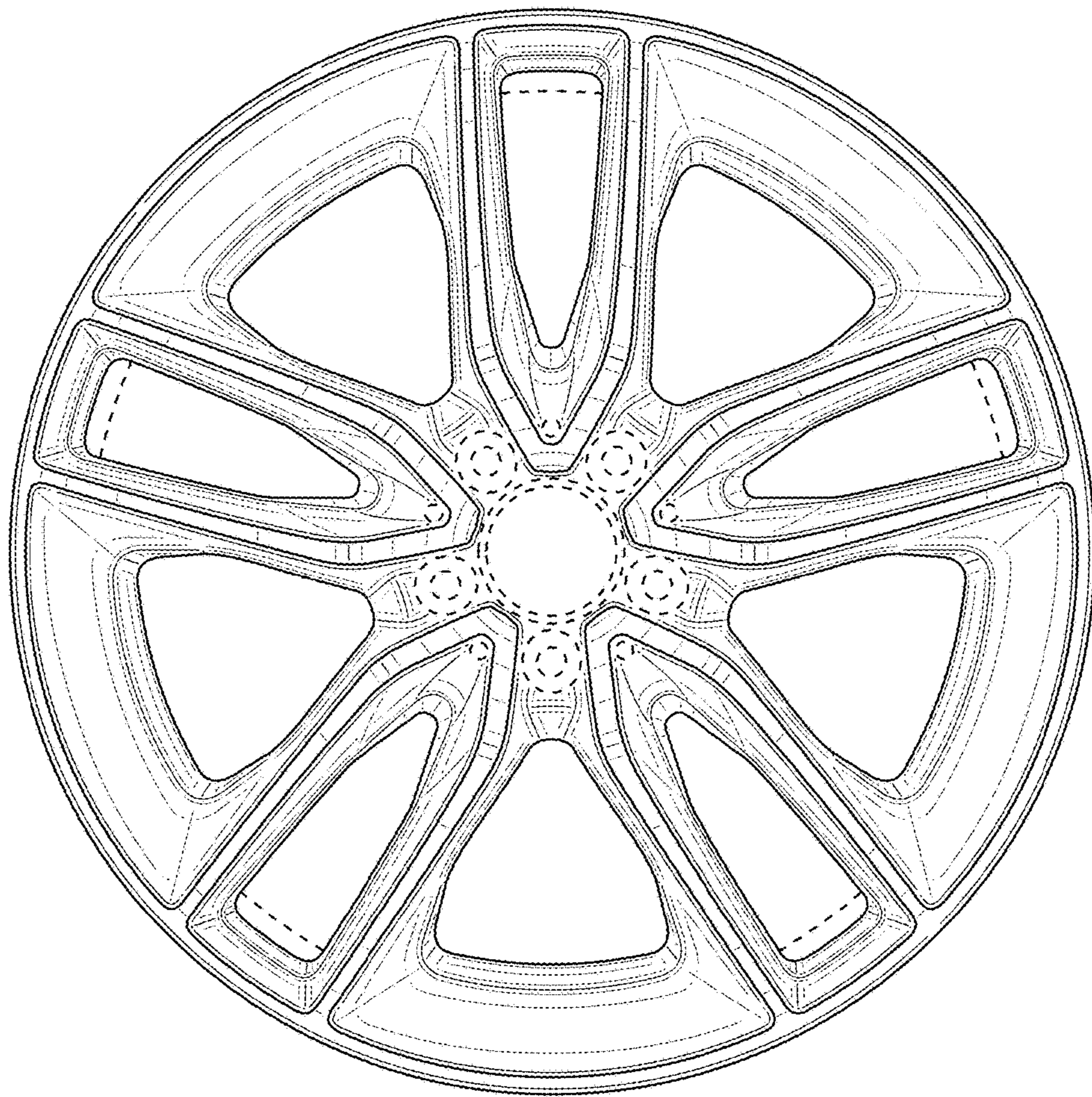


FIG. 3

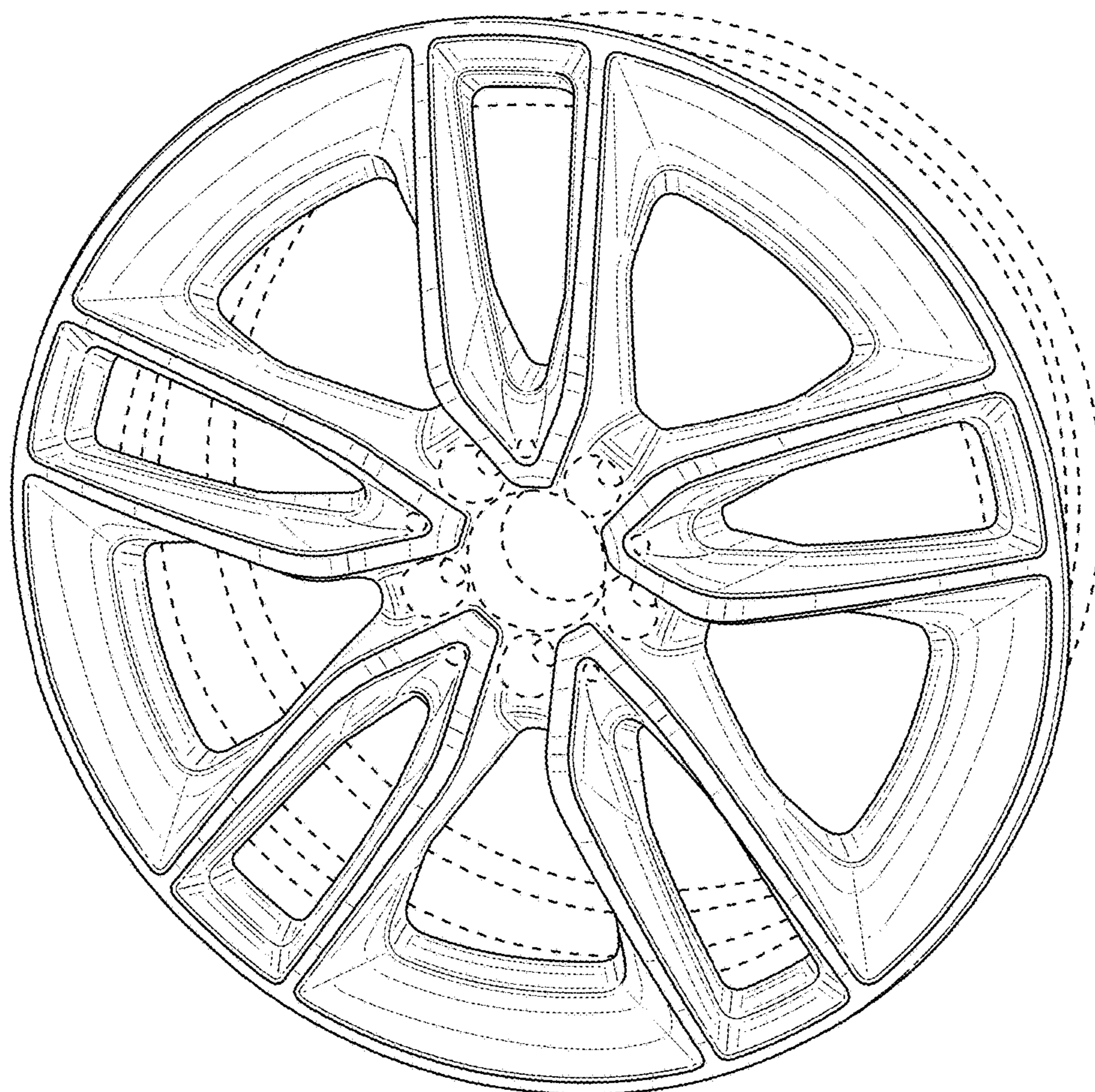


FIG. 4