



US00D845855S

(12) **United States Design Patent**  
**Chung**

(10) **Patent No.:** **US D845,855 S**

(45) **Date of Patent:** **\*\* Apr. 16, 2019**

(54) **AUTOMOTIVE WHEEL**

(71) Applicant: **Suny Chung**, Corona, CA (US)

(72) Inventor: **Suny Chung**, Corona, CA (US)

(\*\*) Term: **15 Years**

(21) Appl. No.: **29/596,901**

(22) Filed: **Mar. 13, 2017**

(51) **LOC (11) Cl.** ..... **12-16**

(52) **U.S. Cl.**  
USPC ..... **D12/209**

(58) **Field of Classification Search**  
USPC ..... D12/204-213; D21/533, 561, 563  
CPC .... B60B 7/00; B60B 7/02; B60B 7/04; B60B  
7/06; B60B 3/02; B60B 3/04; B60B 3/06;  
B60B 3/10; B60B 1/00; B60B 1/08;  
B60B 1/10; B60B 1/12  
See application file for complete search history.

(56) **References Cited**

**U.S. PATENT DOCUMENTS**

D606,922 S \* 12/2009 Thorsten ..... D12/211  
D638,340 S \* 5/2011 Park ..... D12/209

D670,226 S \* 11/2012 Muller ..... D12/211  
D695,670 S \* 12/2013 De Bono ..... D12/209  
D725,018 S \* 3/2015 Zhao ..... D12/209  
D737,189 S \* 8/2015 Claunch ..... D12/209  
D751,485 S \* 3/2016 Chung ..... D12/209  
D763,773 S \* 8/2016 Chung ..... D12/211  
D782,386 S \* 3/2017 Zhao ..... D12/211

\* cited by examiner

*Primary Examiner* — Sheryl Lane

*Assistant Examiner* — Calvin E Vansant

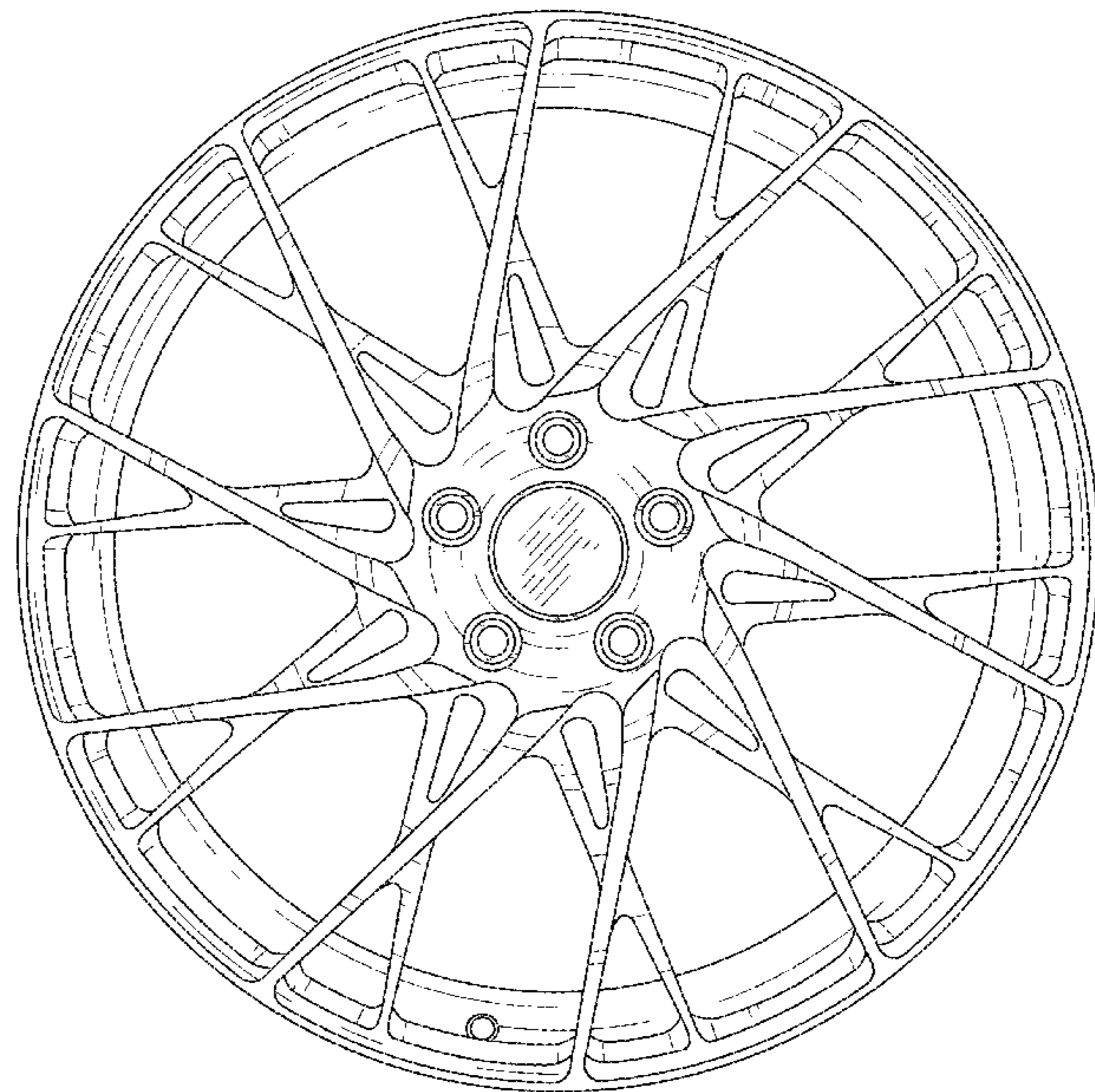
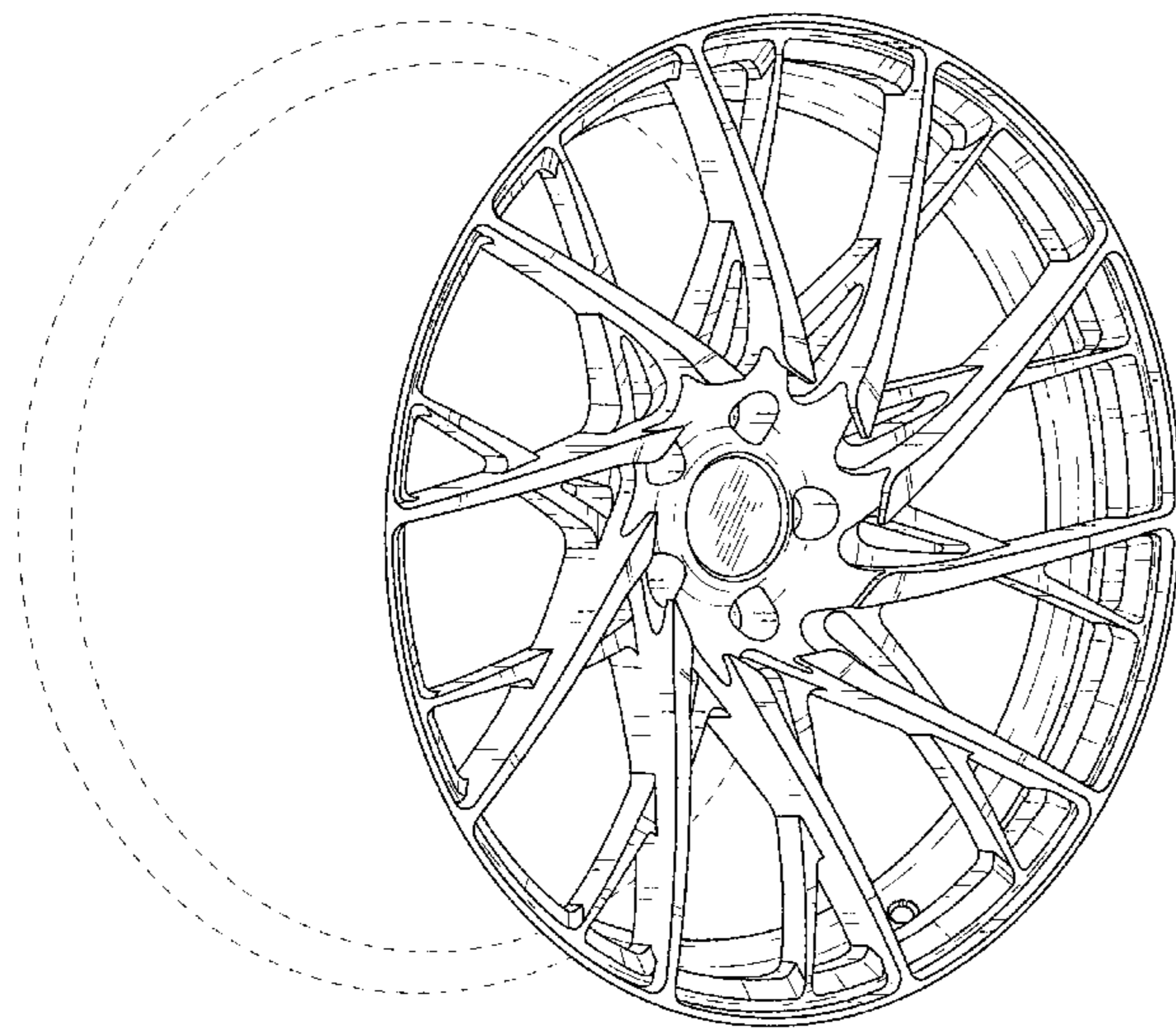
(57) **CLAIM**

The ornamental design for an automotive wheel, as shown and described.

**DESCRIPTION**

FIG. 1 is a perspective view of an automotive wheel, showing my new design;  
FIG. 2 is a front view thereof;  
FIG. 3 is a perspective view of a second embodiment of an automotive wheel; and,  
FIG. 4 is a front view of FIG. 3.  
The broken line showing of the rear portion of the wheel is included for the purpose of illustrating environment and forms no part of the claimed design.

**1 Claim, 4 Drawing Sheets**



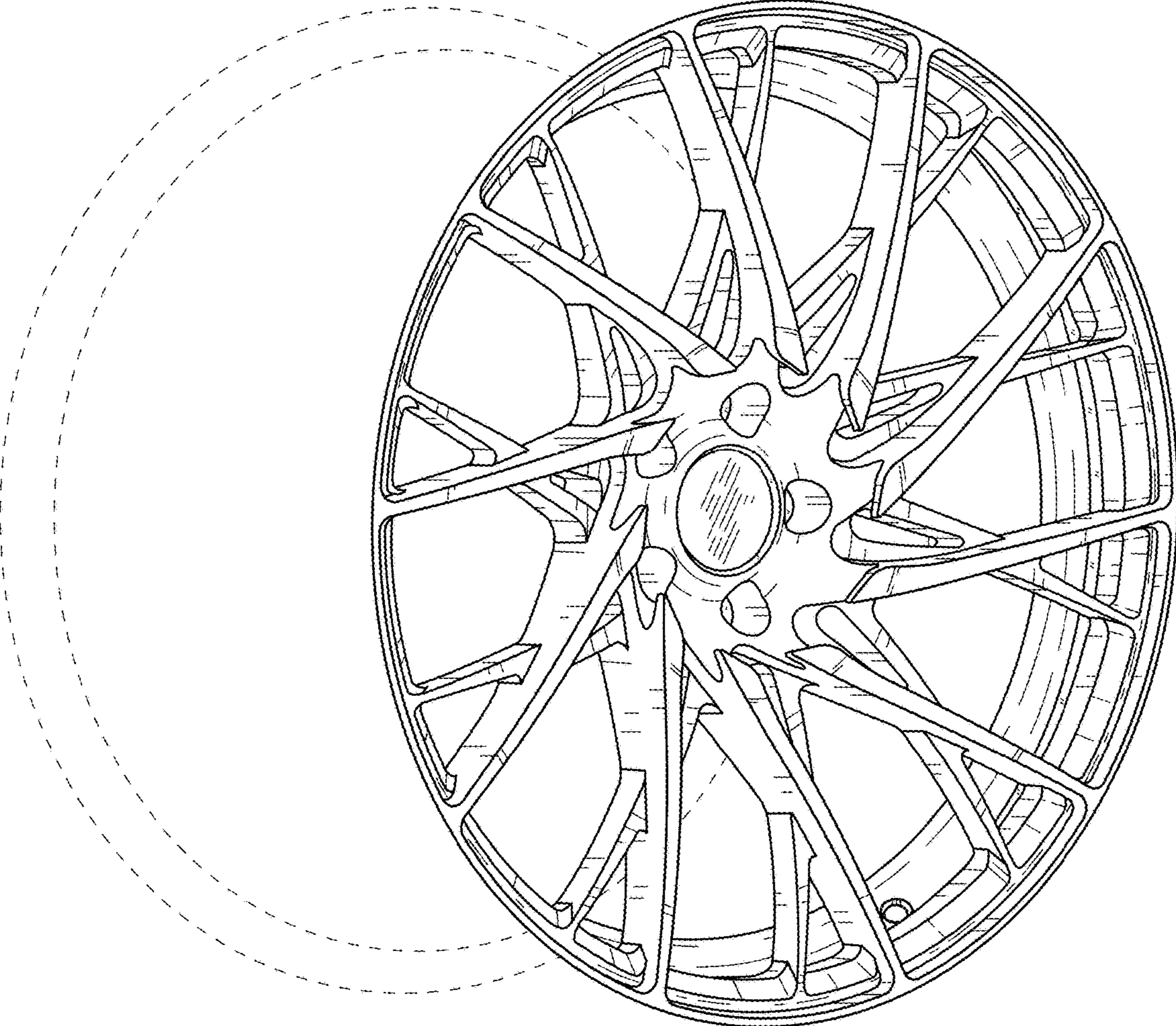


FIGURE 1



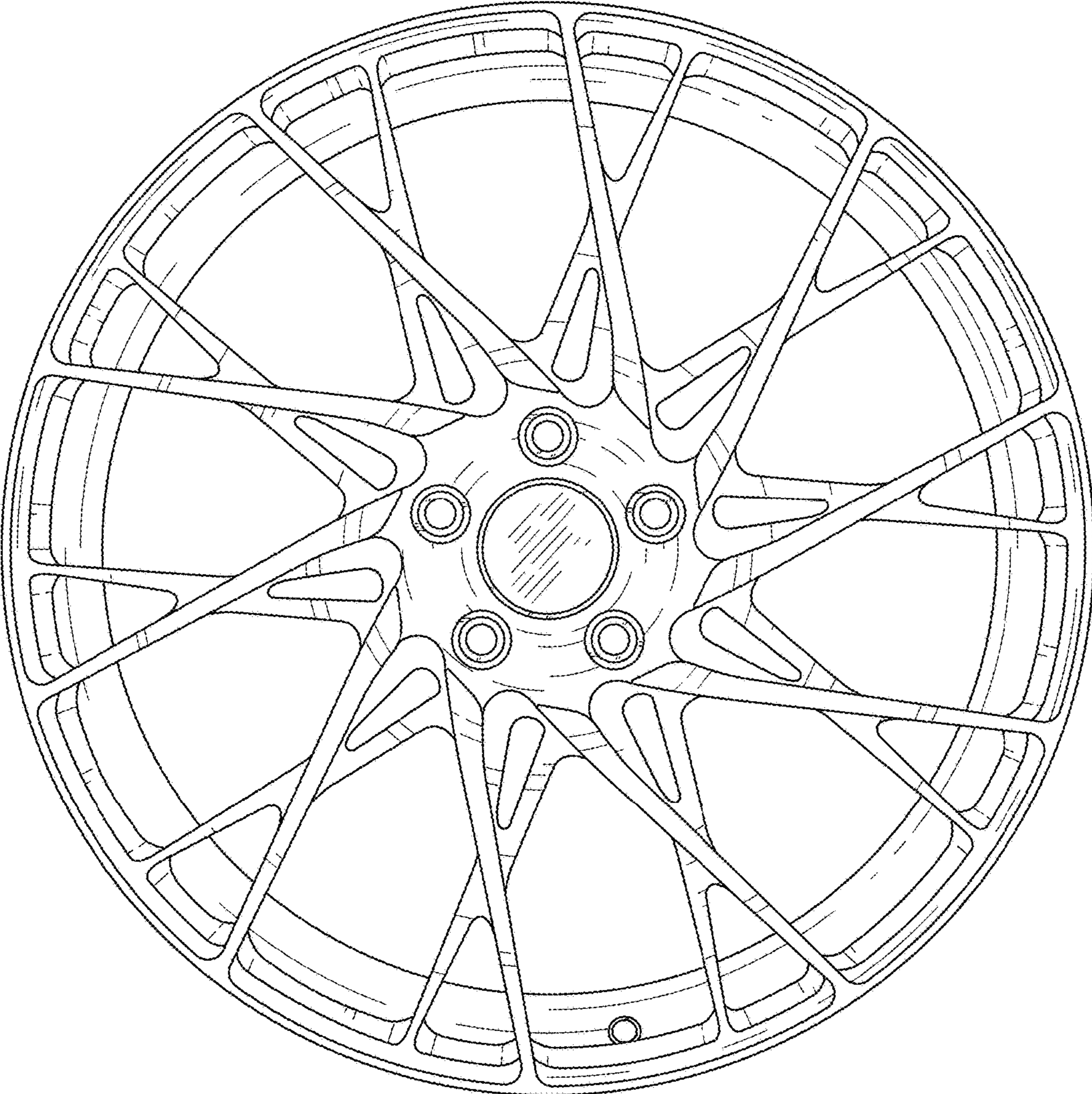


FIGURE 2

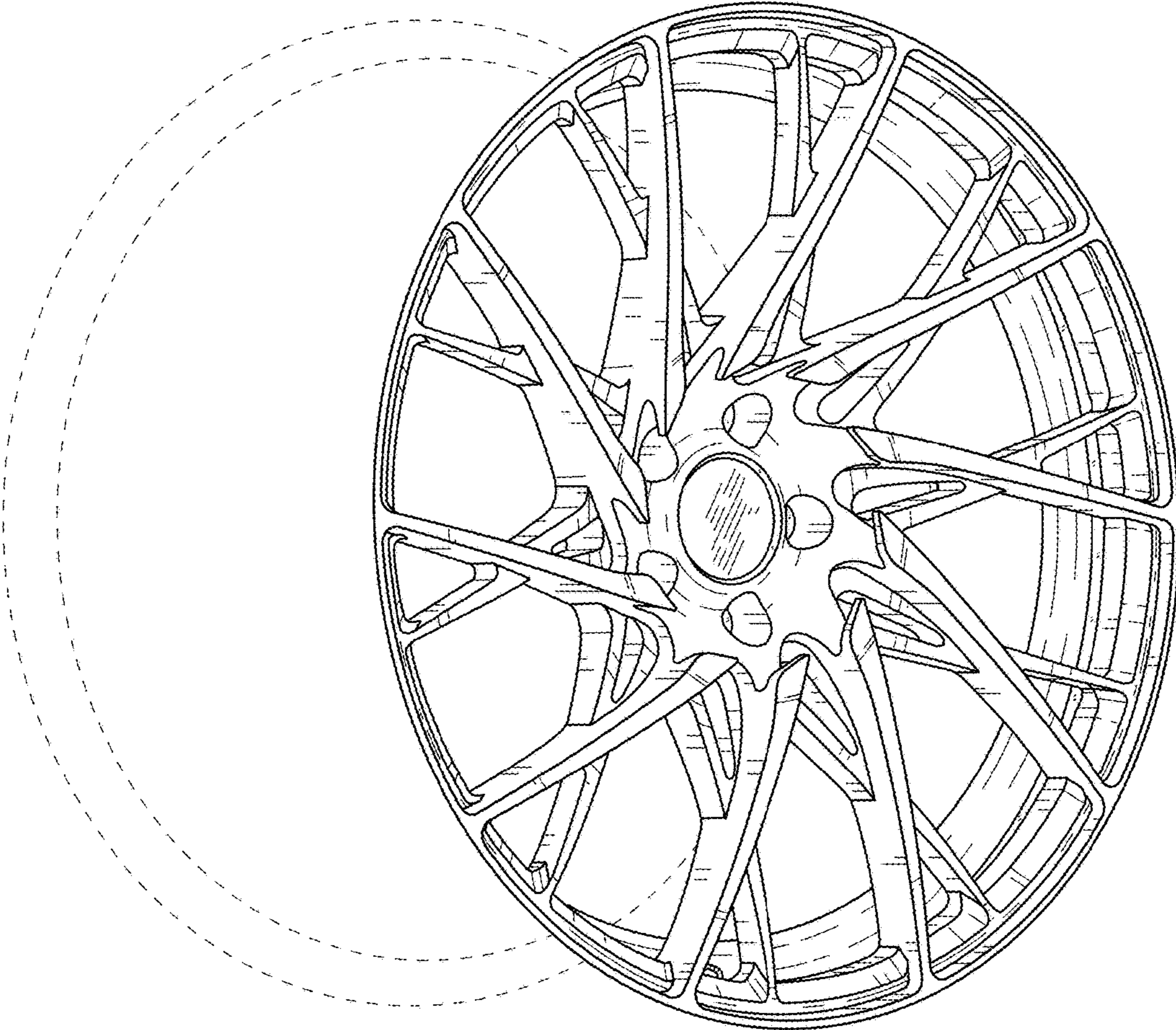


FIGURE 3



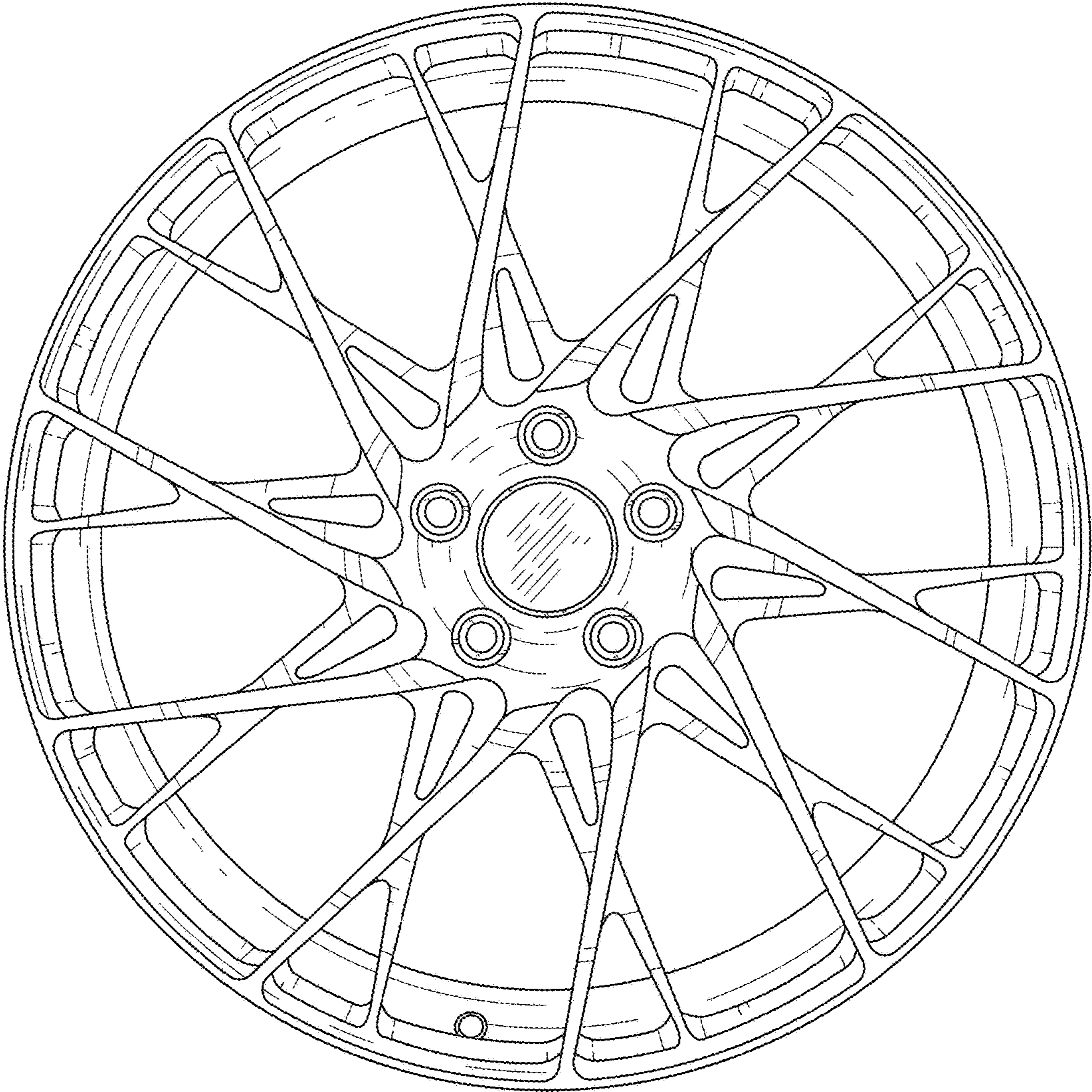


FIGURE 4