



US00D845854S

(12) **United States Design Patent** (10) **Patent No.:** **US D845,854 S**
Fleck et al. (45) **Date of Patent:** **** Apr. 16, 2019**

- (54) **WHEEL COVER**
- (71) Applicant: **Moochout LLC**, St. Paul, MN (US)
- (72) Inventors: **Jonathan E. Fleck**, St. Paul, MN (US);
John Thomas Calhoun, Shafer, MN (US)
- (73) Assignee: **Moochout LLC**, St. Paul, MN (US)
- (**) Term: **15 Years**
- (21) Appl. No.: **29/626,802**
- (22) Filed: **Nov. 20, 2017**
- (51) **LOC (11) Cl.** **12-16**
- (52) **U.S. Cl.**
USPC **D12/204**
- (58) **Field of Classification Search**
USPC D12/204–213, 607
CPC B60B 7/00; B60B 7/02; B60B 7/04; B60B
7/006; B60B 7/068
See application file for complete search history.

D401,127 S *	11/1998	Plantz	D8/40
D407,362 S *	3/1999	Schardt	D12/204
D418,472 S *	1/2000	Okamoto	D12/204
D430,840 S *	9/2000	Iampen	D12/202
6,595,596 B1 *	7/2003	Polka	B60B 7/02 301/37.102
6,820,475 B2 *	11/2004	Wallach	B60B 7/006 301/108.1
D515,005 S *	2/2006	Oatis	D12/213
D528,963 S *	9/2006	Horn	D12/213
D537,401 S *	2/2007	Jones	D12/213
D632,628 S *	2/2011	Mitchell, Jr.	D12/213
D663,674 S *	7/2012	Zane	D12/213
D726,084 S *	4/2015	Chu	D12/204
D744,923 S *	12/2015	Polka	D12/204
D744,924 S *	12/2015	Fleck	D12/204
D776,037 S *	1/2017	Fleck	D12/204

* cited by examiner

Primary Examiner — Michelle E. Wilson
Assistant Examiner — Clese Moore, Jr.
(74) *Attorney, Agent, or Firm* — Polsinelli PC

(57) **CLAIM**

The ornamental design for a wheel cover, as shown and described.

DESCRIPTION

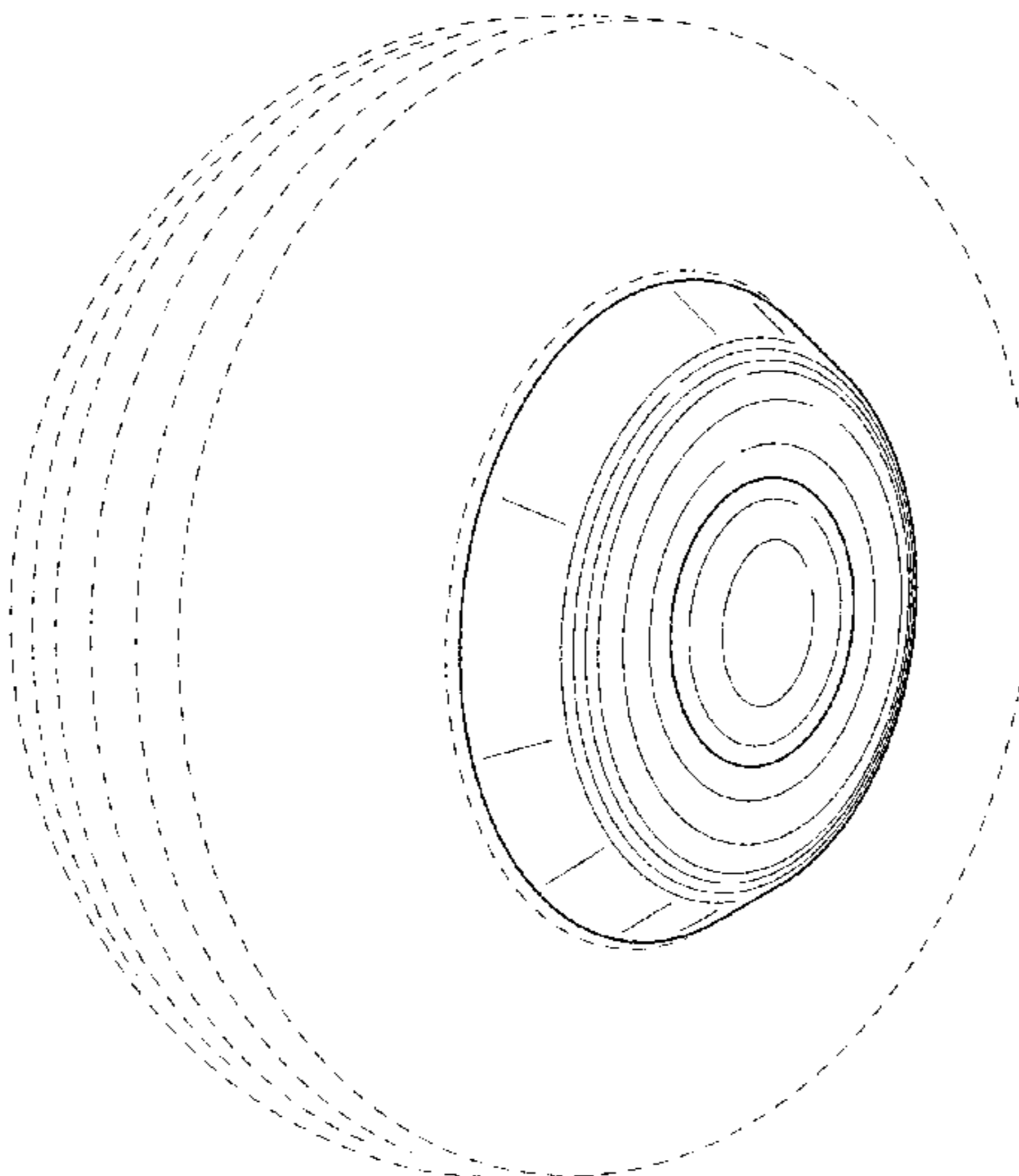
FIG. 1 is a perspective view of a wheel cover mounted on a wheel showing our new design.
FIG. 2 is a front perspective view of the wheel cover.
FIG. 3 is a back perspective view of the wheel cover.
FIG. 4 is a front view of the wheel cover.
FIG. 5 is a back view of the wheel cover; and,
FIG. 6 is a side view of the wheel cover.
The broken lines shown in the Figures are environment only and form no part of the claimed design.
The shade lines in the Figures show contour and do not claim surface ornamentation or treatment.

1 Claim, 6 Drawing Sheets

(56) **References Cited**

U.S. PATENT DOCUMENTS

3,528,705 A *	9/1970	Oldroyd	B60B 7/04 301/37.42
4,593,953 A *	6/1986	Baba	B60B 7/00 301/37.101
D300,526 S *	4/1989	Gilliam	D12/210
D303,648 S *	9/1989	Clark	D12/204
D311,718 S *	10/1990	Whitsel	D12/213
D317,746 S *	6/1991	Carter, III	D12/204
5,167,440 A *	12/1992	FitzGerald	B60B 7/068 301/37.109
D338,867 S *	8/1993	Teufel	D12/204
D369,775 S *	5/1996	Choi	D12/204
D377,162 S *	1/1997	Maynard	D12/213
D389,445 S *	1/1998	Noriega	D12/204
D390,181 S *	2/1998	Morrison	D12/213



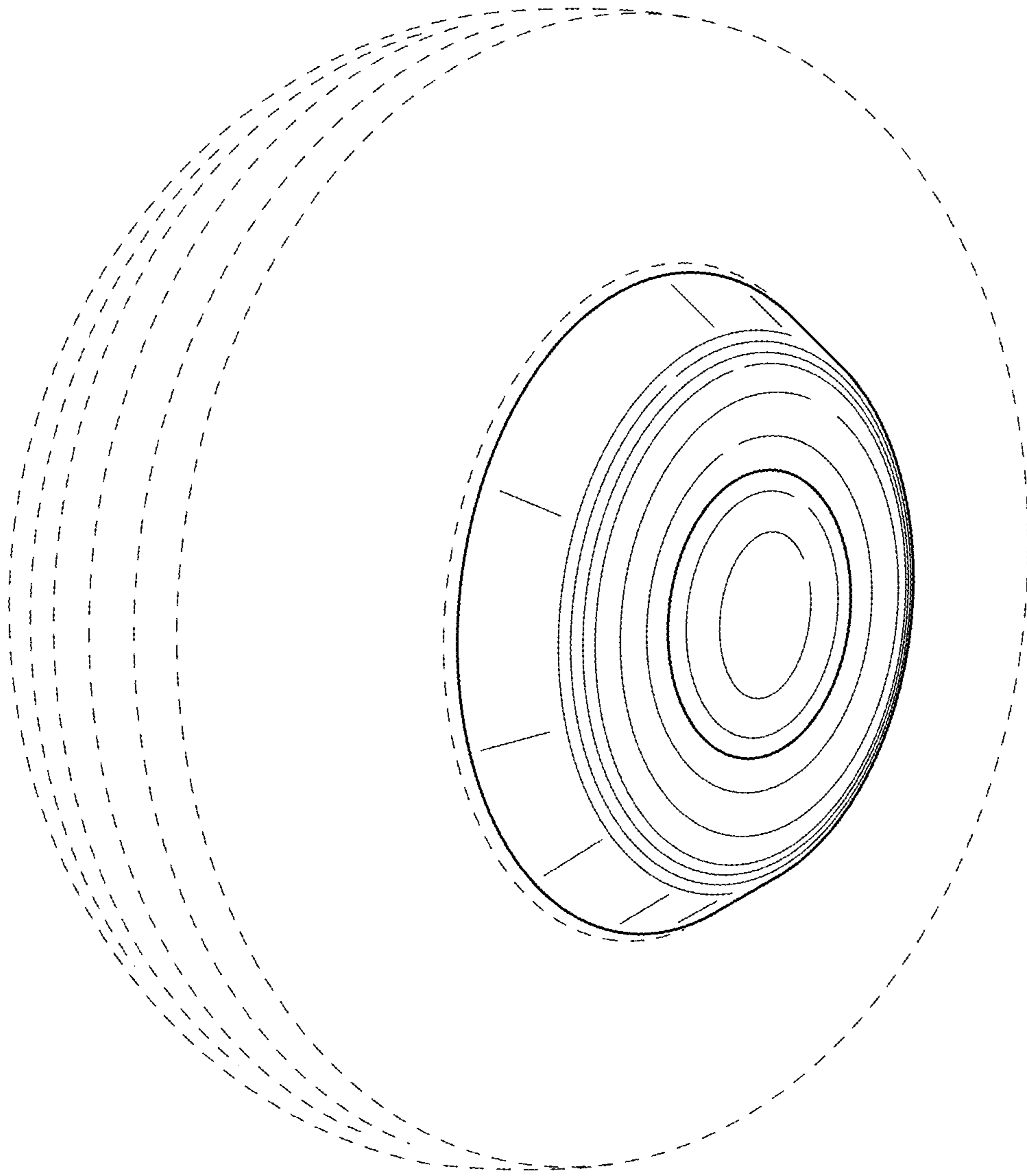


FIG. 1

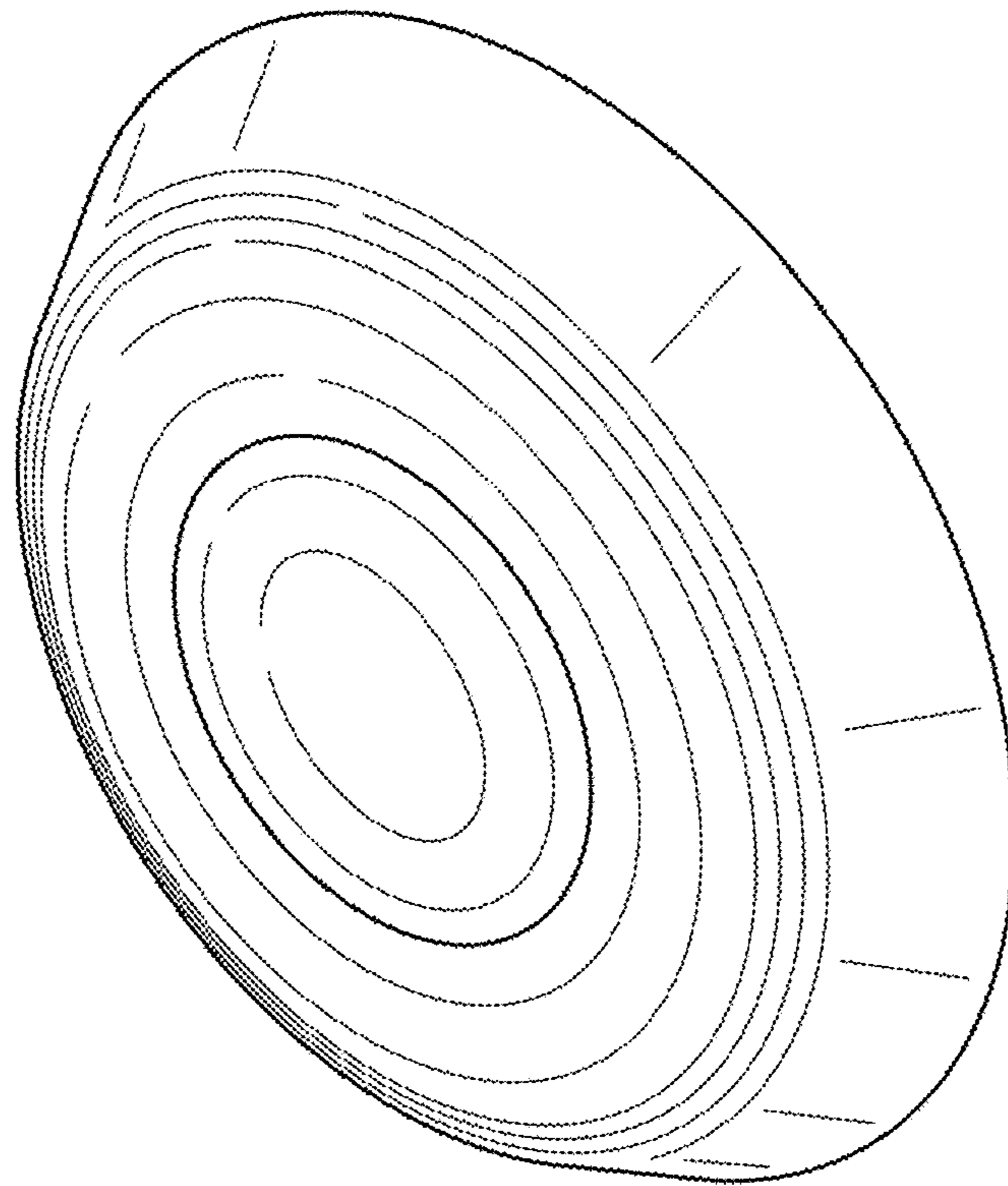


FIG.2

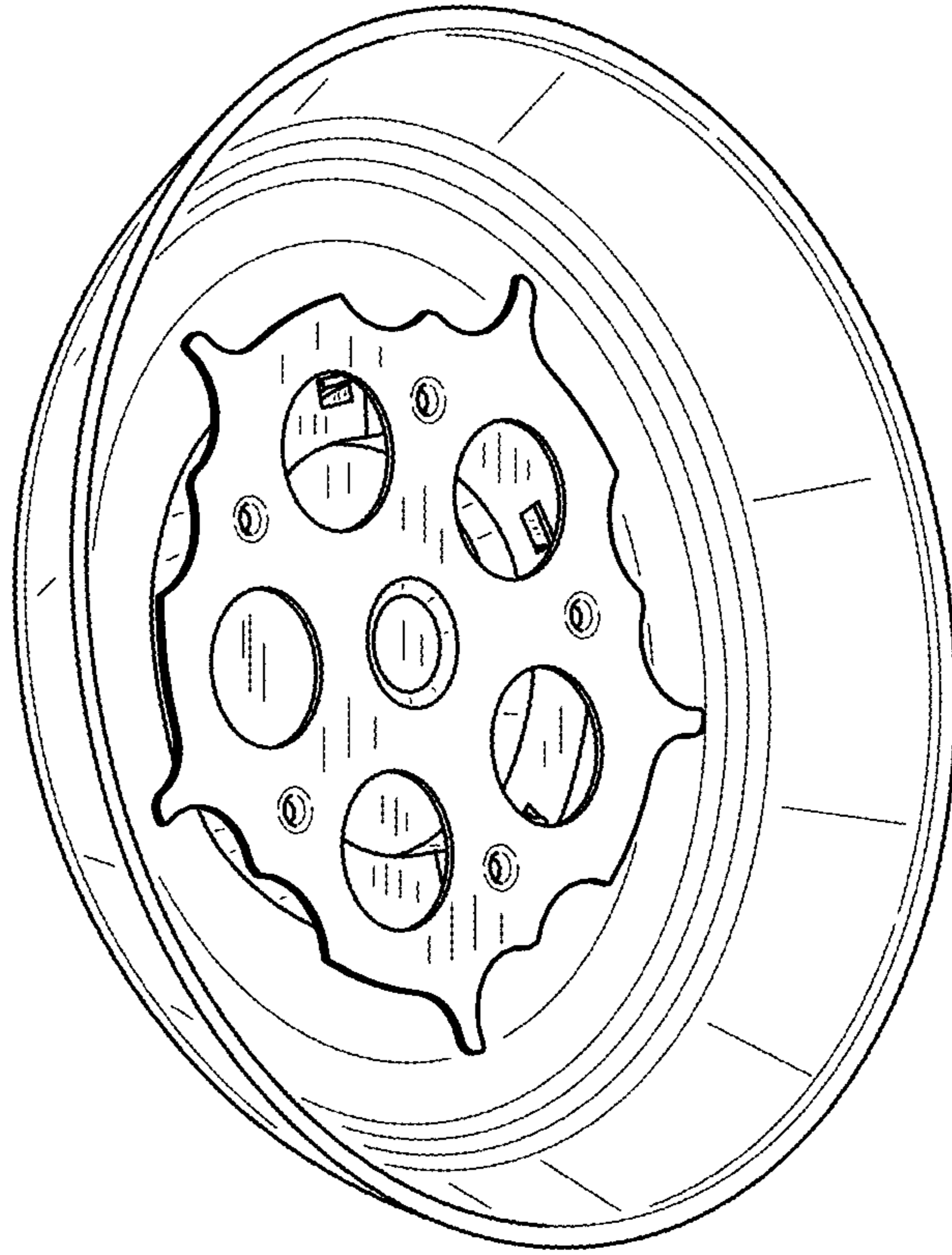


FIG. 3

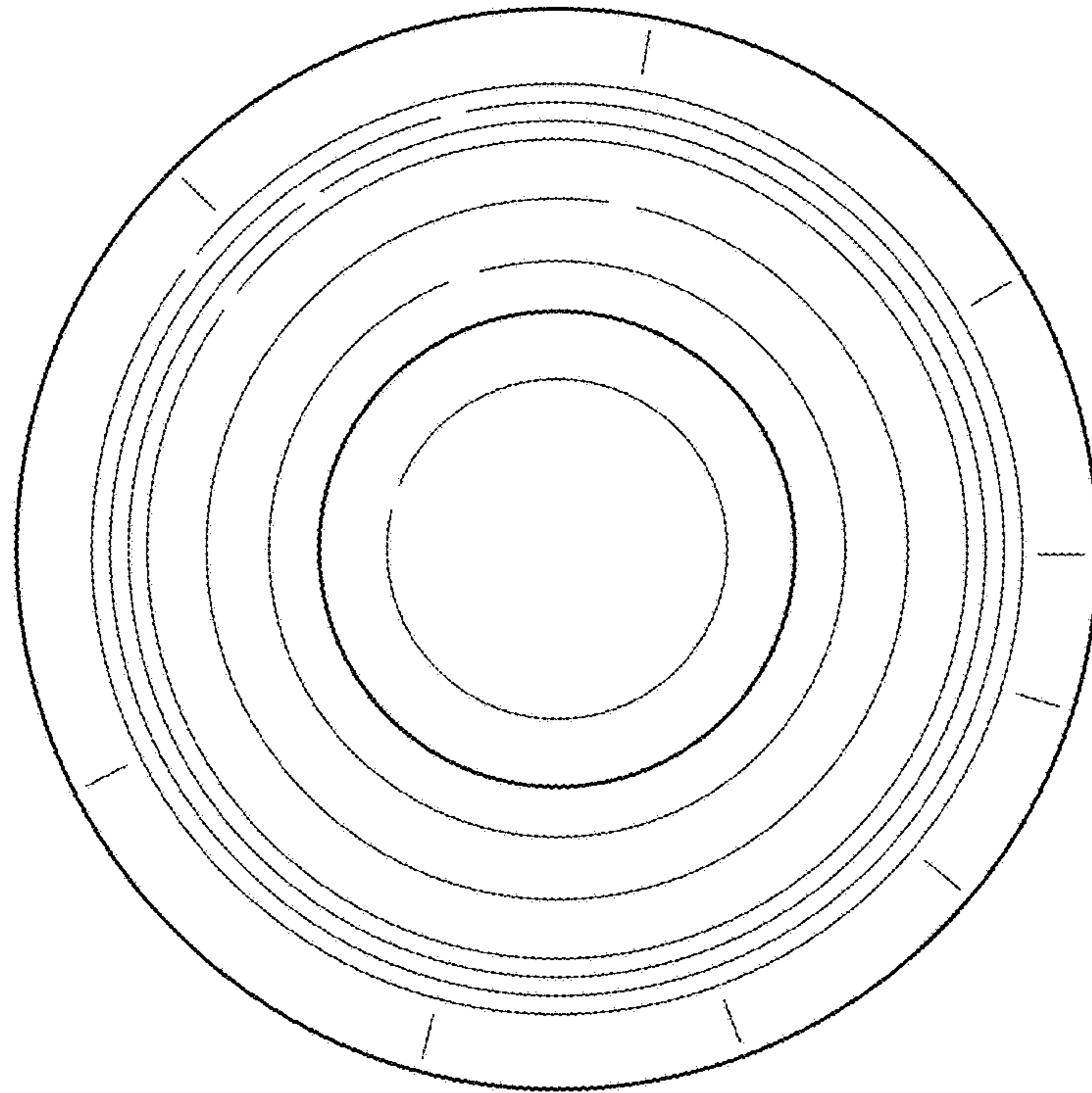


FIG.4

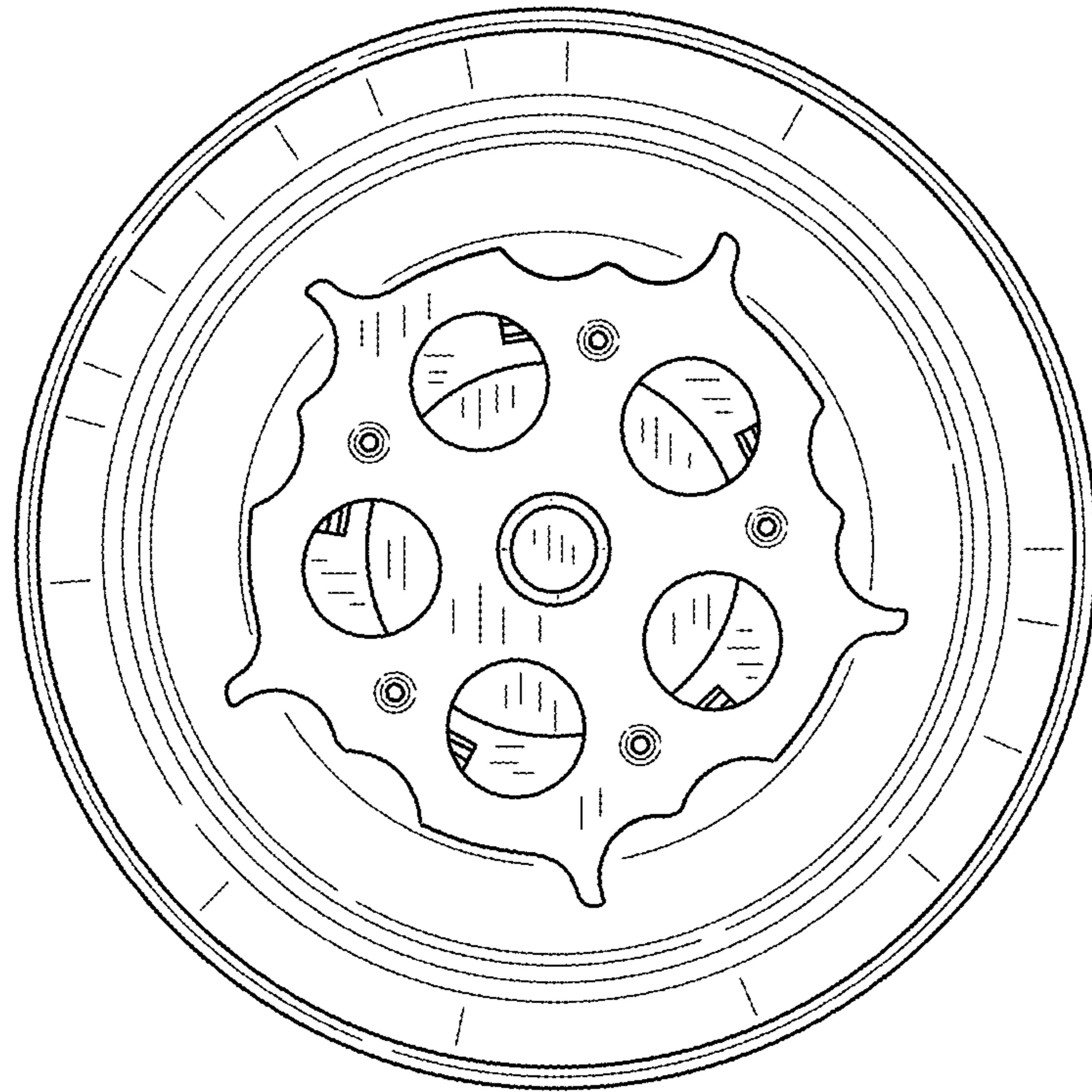


FIG. 5

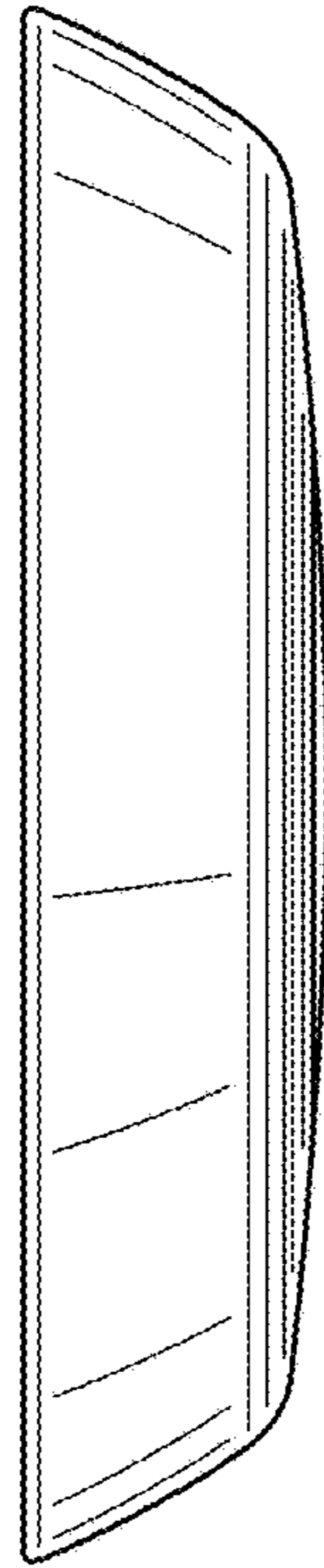


FIG.6