



US00D845853S

(12) **United States Design Patent** (10) **Patent No.:** **US D845,853 S**  
**Annett** (45) **Date of Patent:** **\*\* Apr. 16, 2019**

(54) **VEHICLE LADDER**  
(71) Applicant: **Roambuilt LLC**, Portland, OR (US)  
(72) Inventor: **Cec Annett**, Portland, OR (US)  
(\*\*) Term: **15 Years**  
(21) Appl. No.: **29/643,114**  
(22) Filed: **Apr. 4, 2018**  
(51) **LOC (11) Cl.** ..... **12-16**  
(52) **U.S. Cl.**  
USPC ..... **D12/203**; D25/64  
(58) **Field of Classification Search**  
USPC ..... D12/203, 400, 408; D25/62-69  
CPC ..... E06C 1/393; E06C 1/387; B60R 9/0423;  
B60R 9/0485; B60R 3/005; B60R 3/02  
See application file for complete search history.

D549,838 S \* 8/2007 Badillo ..... D25/64  
D714,464 S \* 9/2014 Dunlap ..... D25/64  
D723,715 S \* 3/2015 Lafontaine ..... D25/64  
D759,840 S \* 6/2016 Grovender ..... D25/64  
D759,841 S \* 6/2016 Badillo ..... D25/64  
D788,327 S \* 5/2017 Click ..... D25/64  
D797,314 S \* 9/2017 Presley ..... D25/64  
D812,777 S \* 3/2018 Ma ..... D25/64  
2004/0069566 A1 \* 4/2004 Bareket ..... B60R 3/00  
182/97  
2006/0108179 A1 \* 5/2006 Sieb ..... B60R 3/005  
182/127  
2017/0050571 A1 \* 2/2017 Badillo ..... B60R 3/005

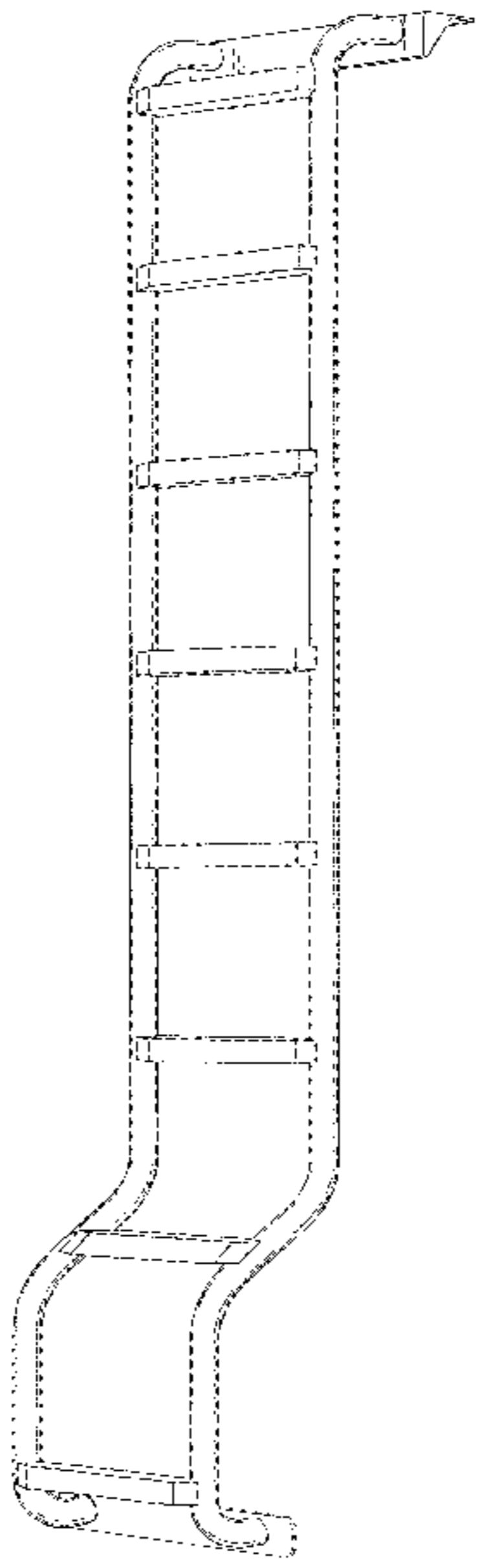
\* cited by examiner  
*Primary Examiner* — Michelle E. Wilson  
*Assistant Examiner* — Clese Moore, Jr.  
(74) *Attorney, Agent, or Firm* — Miller Nash Graham & Dunn LLP; Carla Quisenberry

(56) **References Cited**  
U.S. PATENT DOCUMENTS  
D258,148 S \* 2/1981 Loix ..... 182/159  
4,249,683 A \* 2/1981 Park ..... B62D 43/02  
182/129  
4,431,082 A \* 2/1984 Bott ..... E06C 5/02  
182/127  
4,716,988 A \* 1/1988 Graffy ..... E06C 7/08  
182/194  
D297,768 S \* 9/1988 Wallick, Jr. .... D25/64  
D359,134 S \* 6/1995 Toews ..... D25/64  
D392,744 S \* 3/1998 Staal ..... D25/64  
D396,303 S \* 7/1998 Odom ..... D25/62  
D442,289 S \* 5/2001 Ziaylek, Jr. .... D25/64  
D479,884 S \* 9/2003 Berryman ..... D25/64  
D490,163 S \* 5/2004 Thurston ..... D25/64  
D507,661 S \* 7/2005 Treadwell ..... D25/62  
D512,783 S \* 12/2005 Badillo ..... D25/64  
7,066,299 B1 \* 6/2006 Fleming ..... E06C 1/20  
182/107

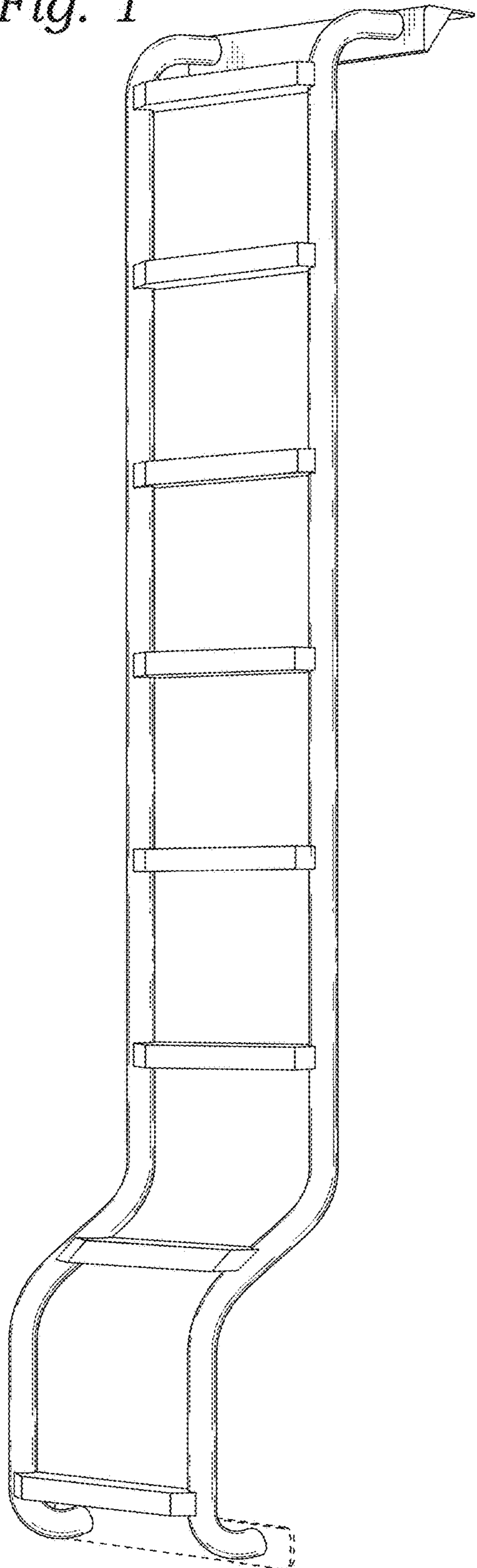
(57) **CLAIM**  
The ornamental design for a vehicle ladder, as shown and described.

**DESCRIPTION**  
FIG. 1 is a front side perspective view of the new design for a vehicle ladder;  
FIG. 2 is a front elevational view thereof;  
FIG. 3 is a left side elevational view thereof;  
FIG. 4 is a right side elevational view thereof;  
FIG. 5 is a top plan view thereof;  
FIG. 6 is a bottom plan view thereof;  
FIG. 7 is a perspective view thereof; and,  
FIG. 8 is a rear elevational view thereof.  
The broken lines in the figures illustrate the portions of the design that form no part of the claimed design.

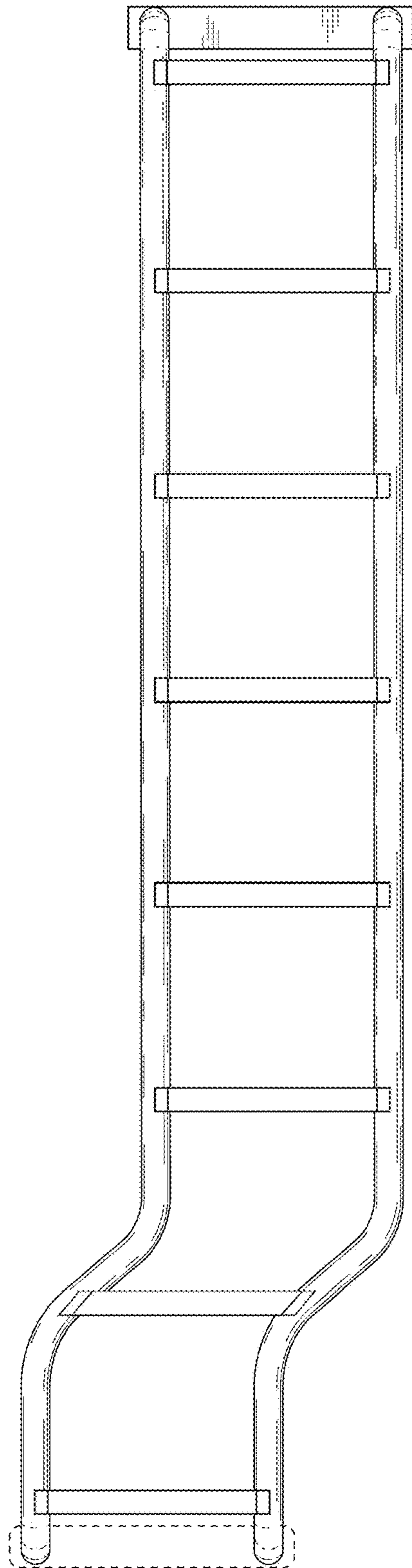
**1 Claim, 4 Drawing Sheets**



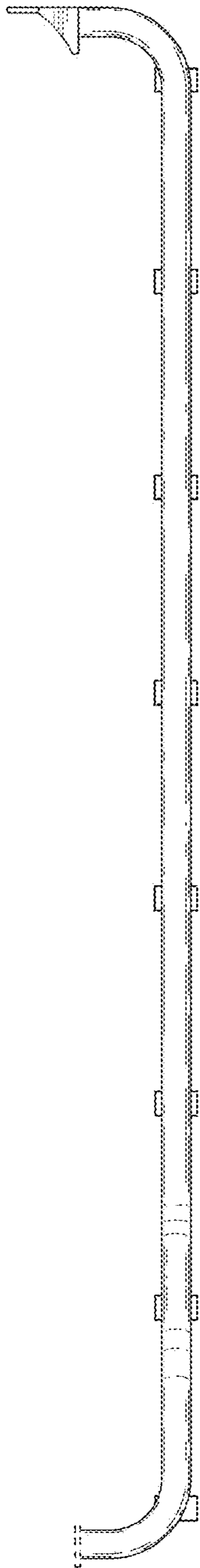
*Fig. 1*



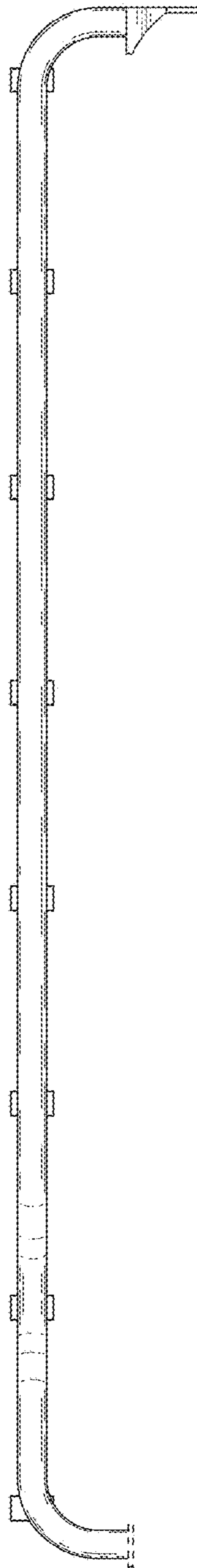
*Fig. 2*



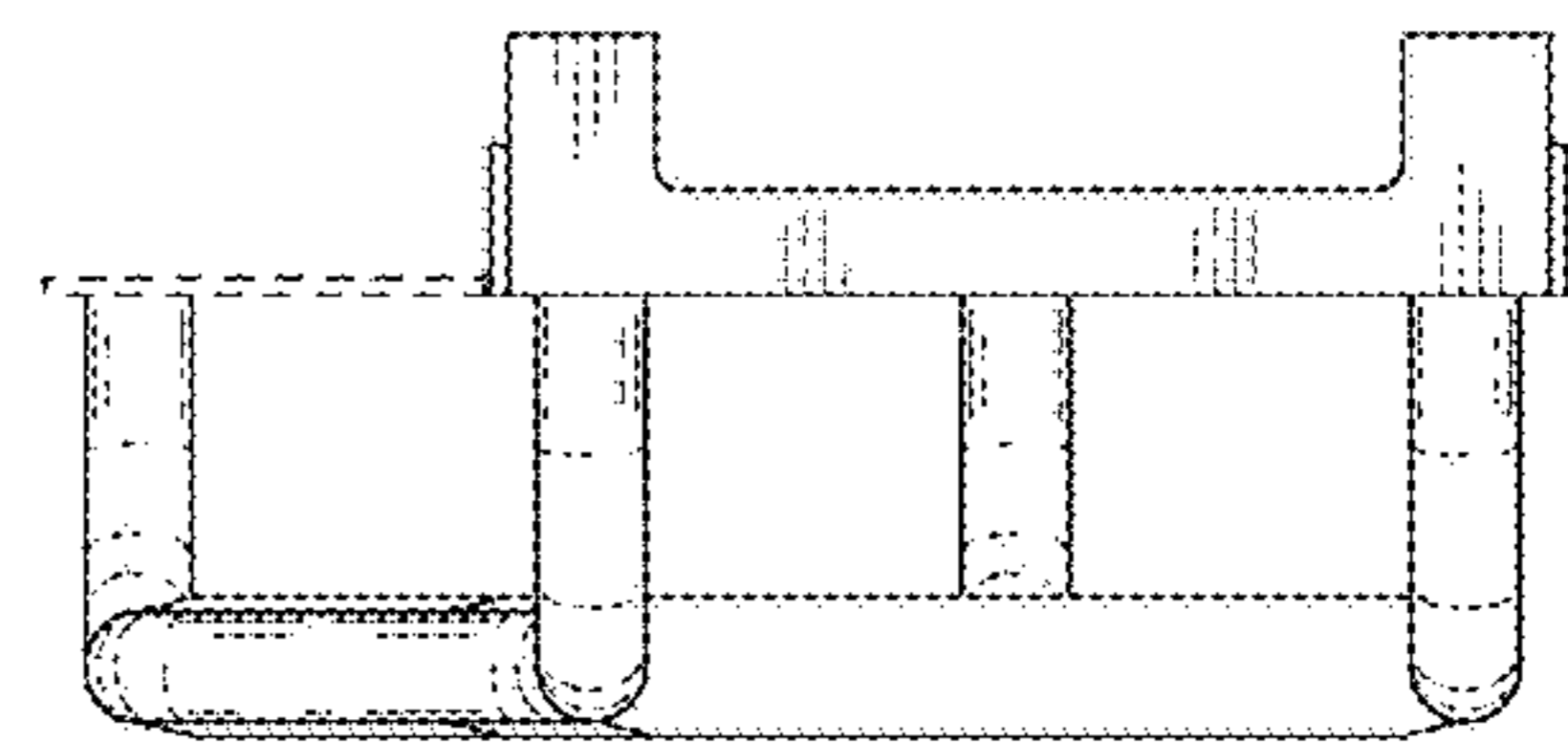
*Fig. 3*



*Fig. 4*



*Fig. 5*



*Fig. 6*

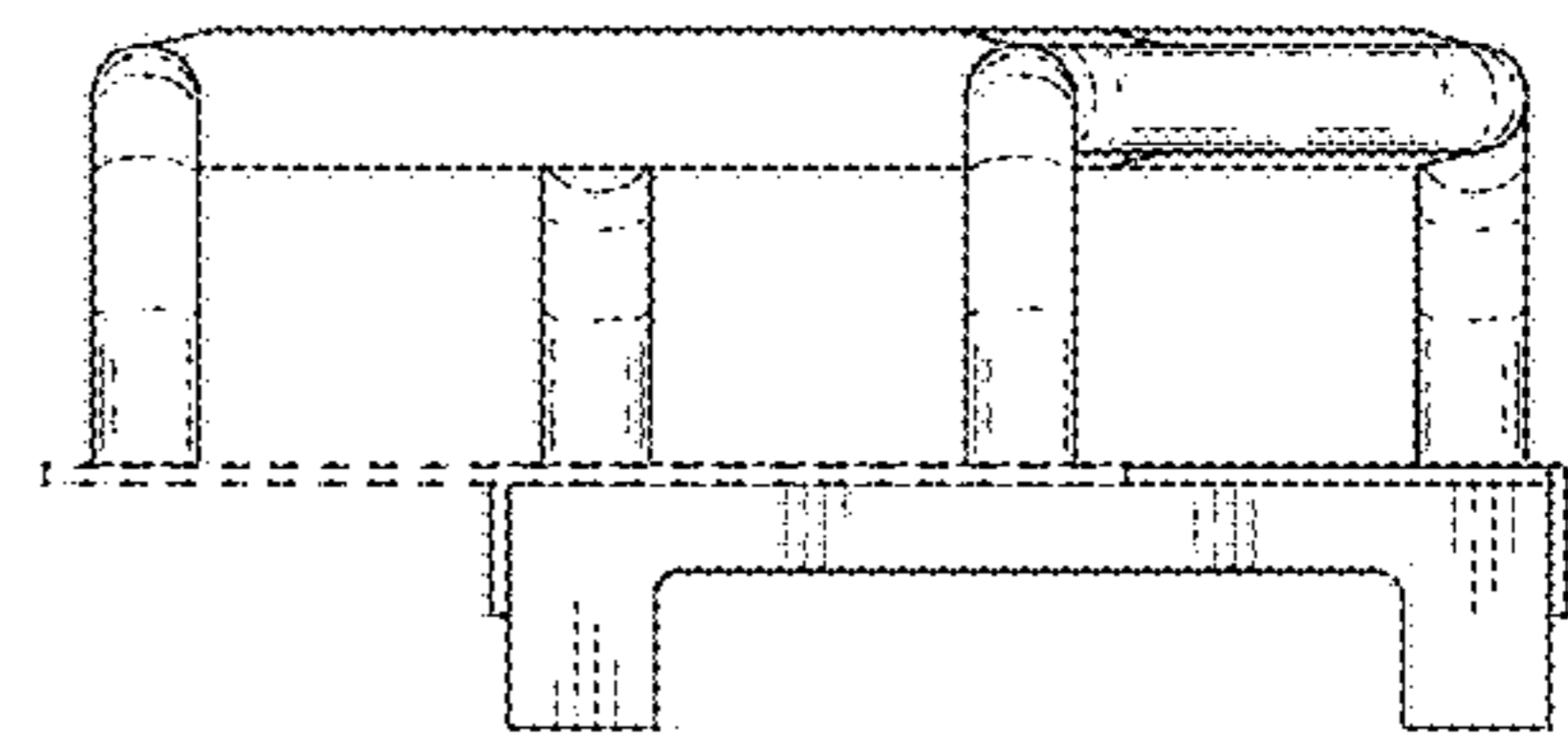
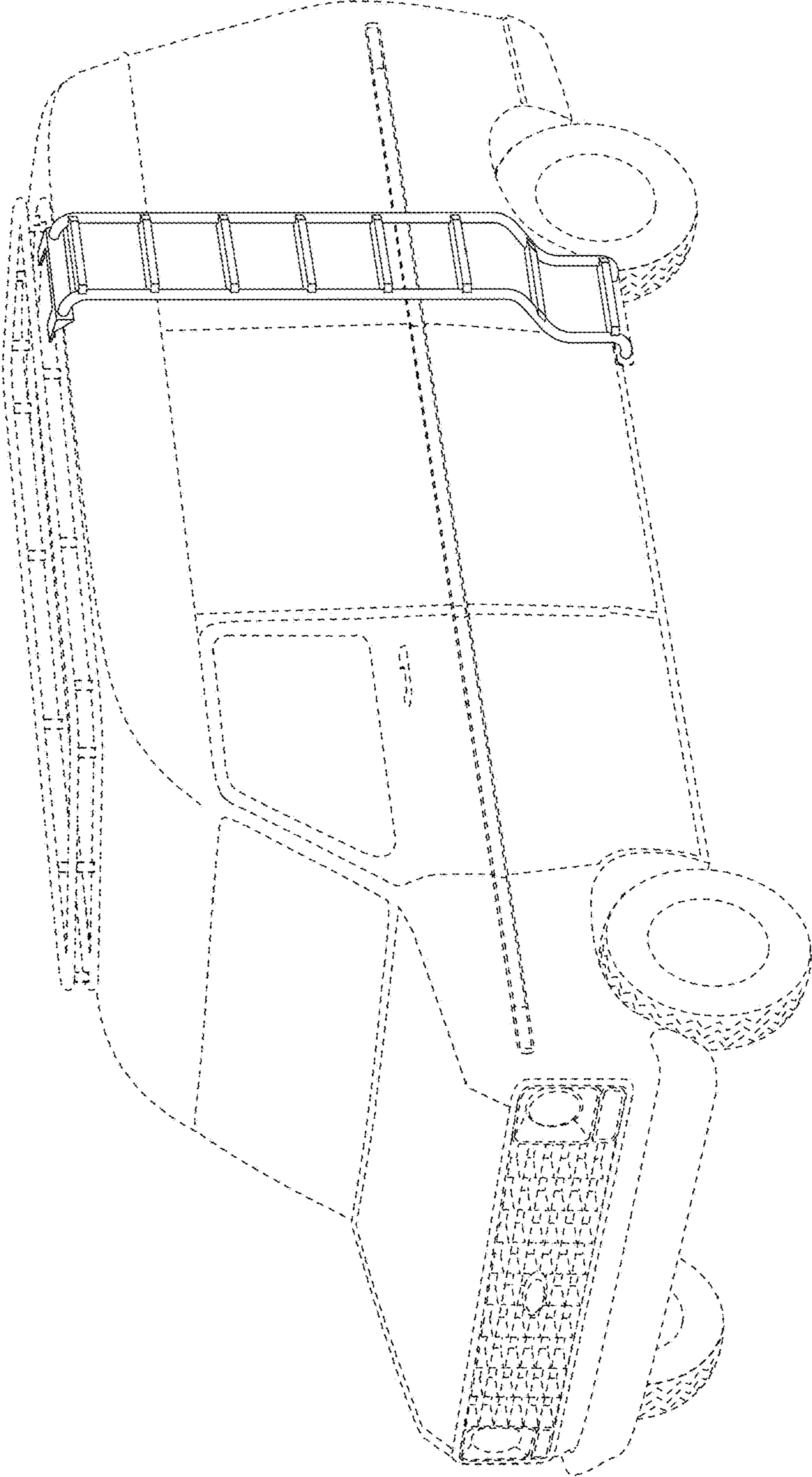


Fig. 7



*Fig. 8*

