



US00D845850S

(12) **United States Design Patent**  
**Kang**

(10) **Patent No.:** **US D845,850 S**  
(45) **Date of Patent:** **\*\* Apr. 16, 2019**

(54) **REAR BUMPER FOR A VEHICLE**

FOREIGN PATENT DOCUMENTS

(71) Applicant: **Bayerische Motoren Werke Aktiengesellschaft**, Munich (DE)

WO WO DM/095565 10/2017  
WO WO DM/096281 11/2017

(72) Inventor: **Won-kyu Kang**, Munich (DE)

\* cited by examiner

(73) Assignee: **Bayerische Motoren Werke Aktiengesellschaft**, Munich (DE)

*Primary Examiner* — Melody N Brown

(74) *Attorney, Agent, or Firm* — Crowell & Moring LLP

(\*\*) Term: **15 Years**

(57) **CLAIM**

(21) Appl. No.: **29/630,705**

The ornamental design for a rear bumper for a vehicle, as shown and described.

(22) Filed: **Dec. 22, 2017**

(30) **Foreign Application Priority Data**

**DESCRIPTION**

Jun. 30, 2017 (DE) ..... 40 2017 100 780

(51) **LOC (11) Cl.** ..... **12-16**

(52) **U.S. Cl.**  
USPC ..... **D12/169**

(58) **Field of Classification Search**  
USPC ..... D12/169; 293/102, 113, 115, 117, 120;  
296/180.1, 180.2  
CPC ..... B60R 19/02; B60R 19/04; B62D 25/08  
See application file for complete search history.

This application contains subject matter related to the following co-pending U.S. design patent applications:

Application Ser. No. 29/605,297 filed May 25, 2017 and entitled "Rear Bumper for a Vehicle";

Application Ser. No. 29/600,510 filed Apr. 13, 2017 and entitled "Rear Bumper for a Vehicle";

Application Ser. No. 29/624,743, filed Nov. 3, 2017 and entitled "Rear Bumper for a Vehicle"; and

Application Ser. No. 29/630,704, filed herewith and entitled "Rear Bumper for a Vehicle".

(56) **References Cited**

FIG. 1 is a front view of a rear bumper for a vehicle according to the design;

FIG. 2 is a left perspective view thereof;

FIG. 3 is a right perspective view thereof;

FIG. 4 is a left side view thereof;

FIG. 5 is a right side view thereof;

FIG. 6 is a top view thereof;

FIG. 7 is a bottom view thereof; and,

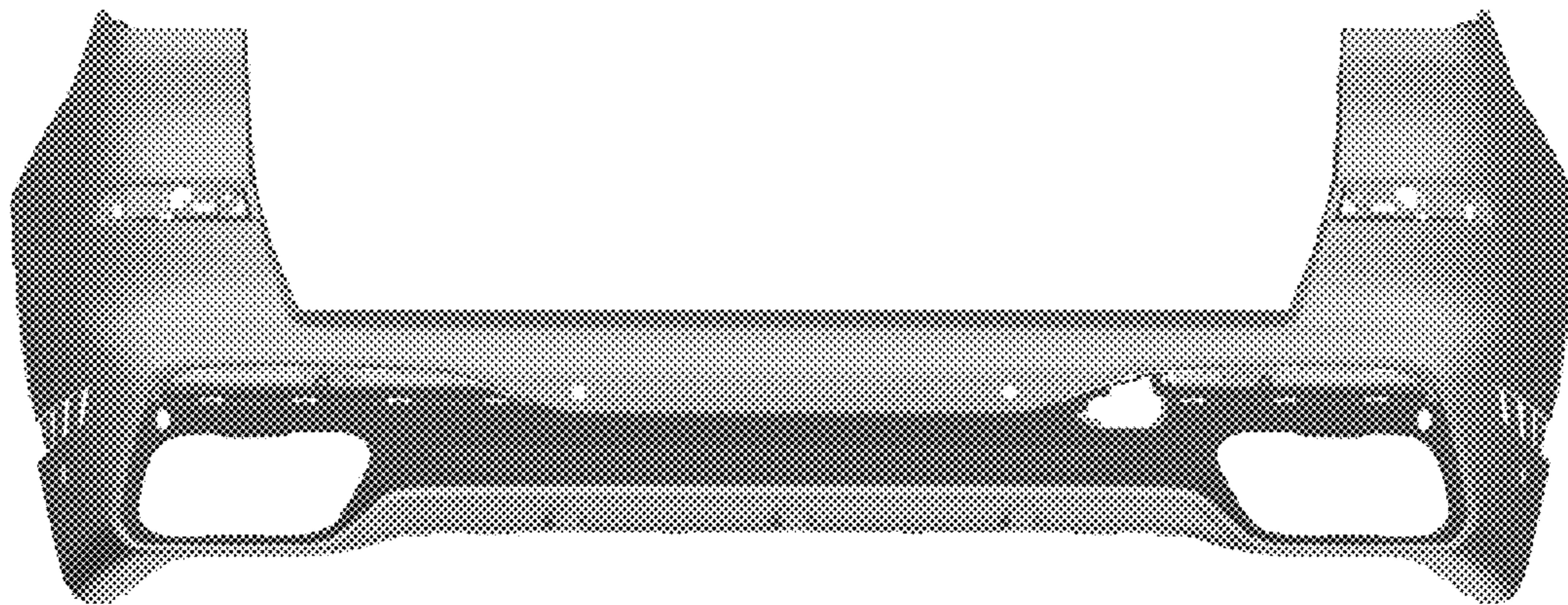
FIG. 8 is a rear view thereof.

U.S. PATENT DOCUMENTS

D749,475 S \* 2/2016 Battams ..... D12/169  
D763,747 S \* 8/2016 Hammoud ..... D12/169  
D764,986 S \* 8/2016 Faghihzadeh ..... D12/169  
D807,799 S \* 1/2018 Kimura ..... B65D 85/1045  
D12/169

D813,115 S \* 3/2018 Holstein ..... D12/169  
D814,985 S \* 4/2018 Peat ..... D12/169  
D815,572 S \* 4/2018 Perkins ..... D12/169  
D818,402 S \* 5/2018 Kawakami ..... D12/169

**1 Claim, 8 Drawing Sheets**



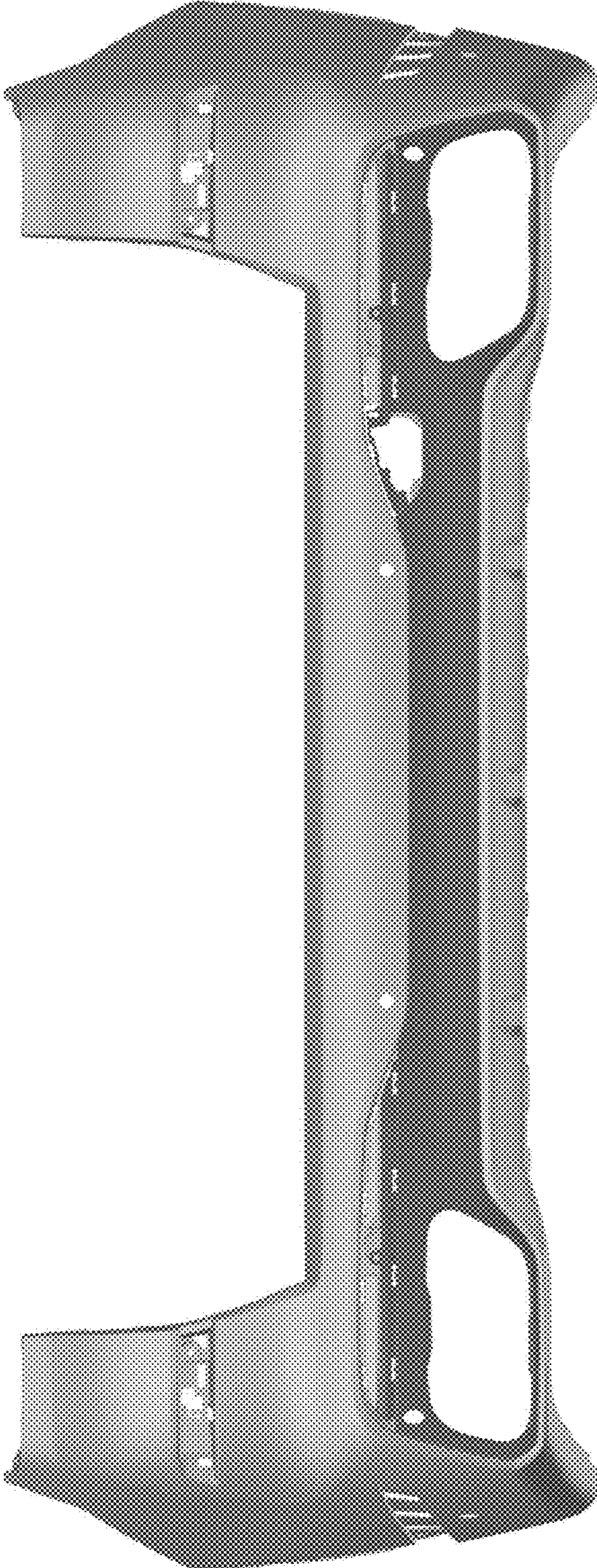


Fig. 1



Fig. 2



Fig. 3

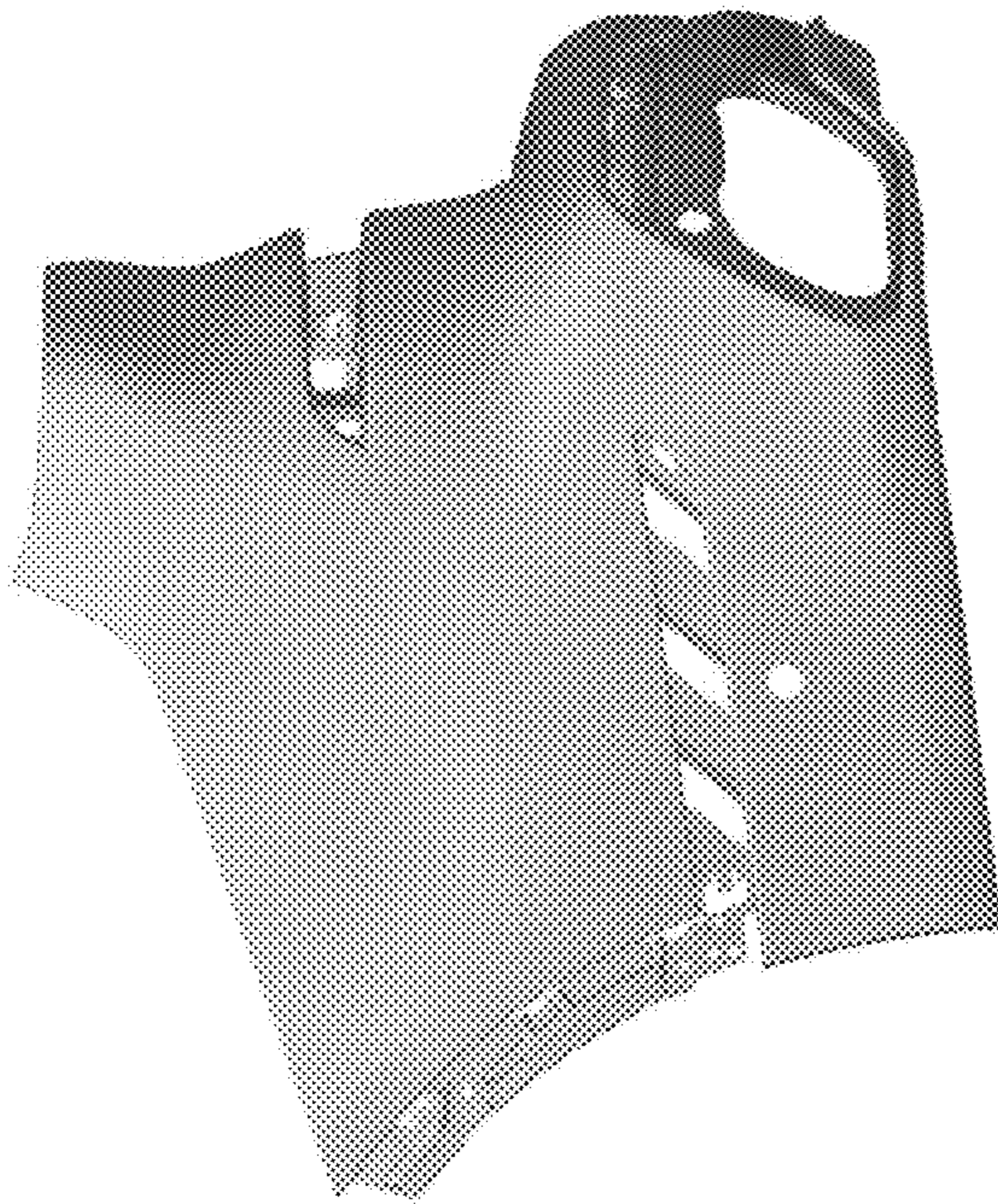


Fig. 4

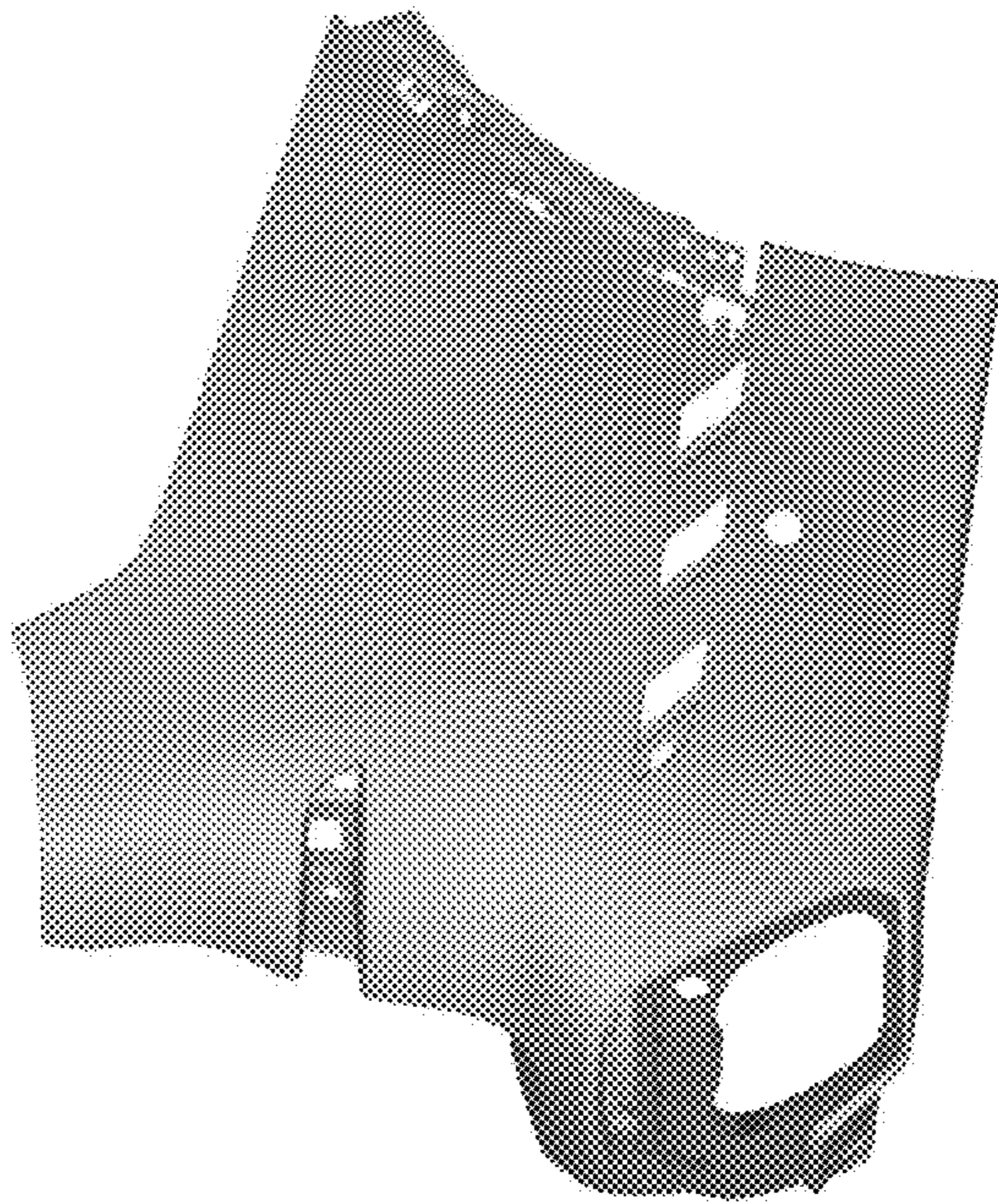


Fig. 5

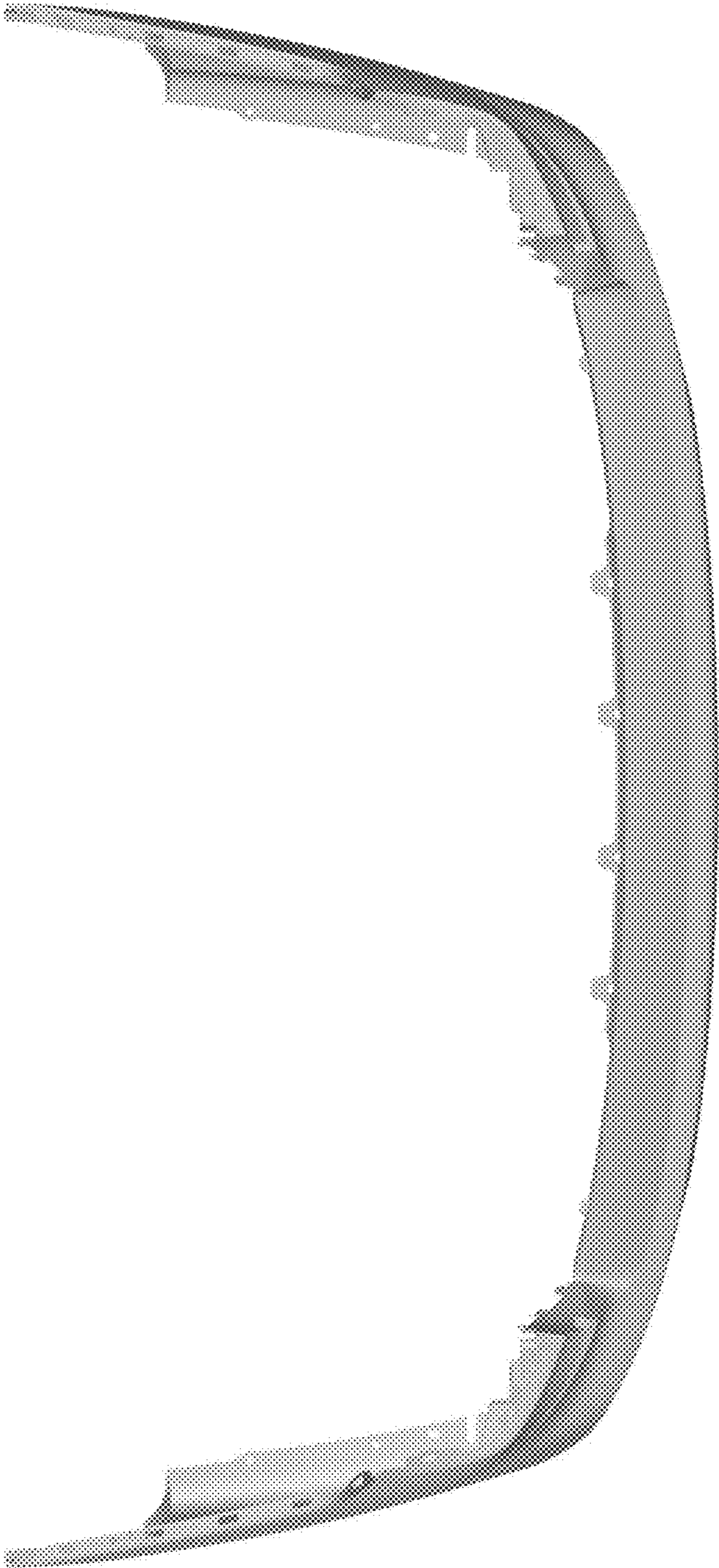


Fig. 6

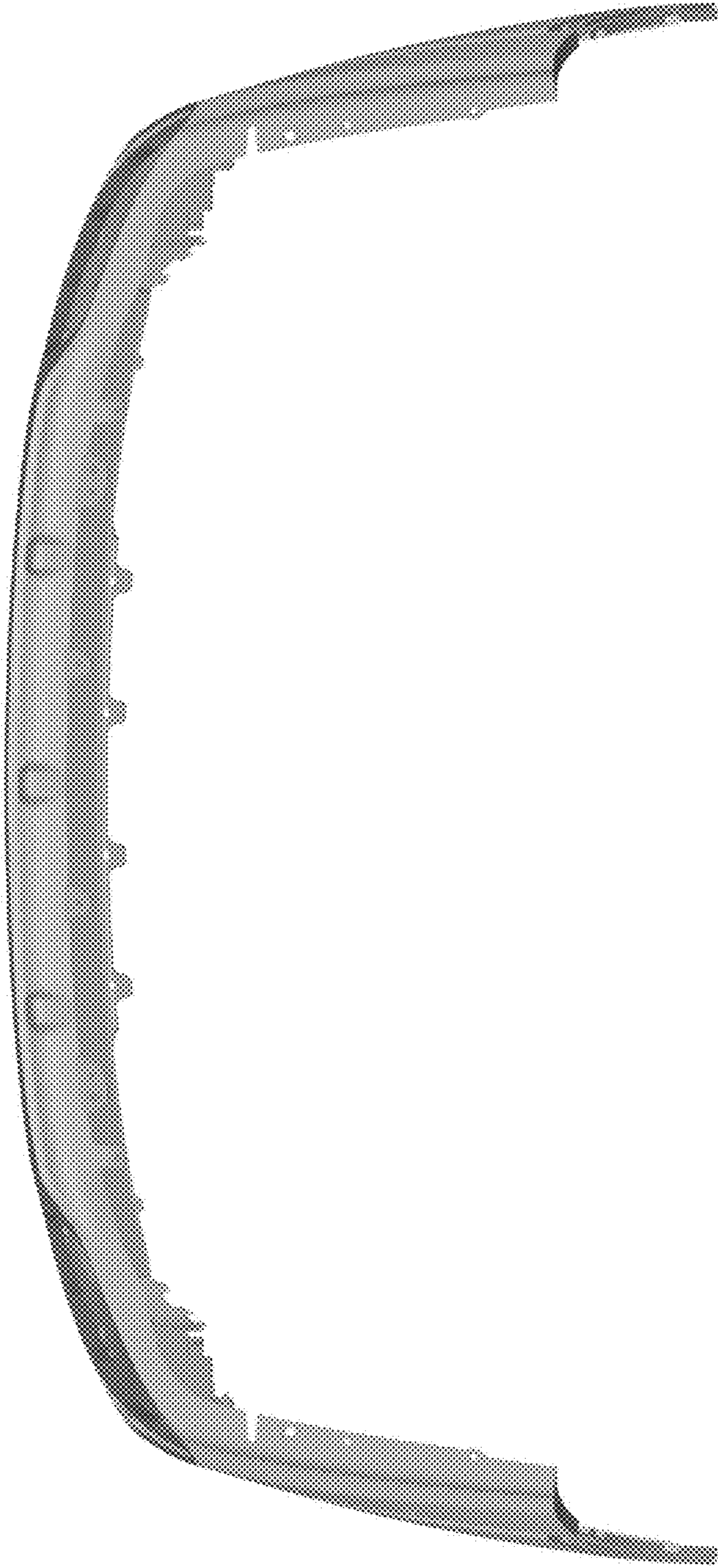


Fig. 7



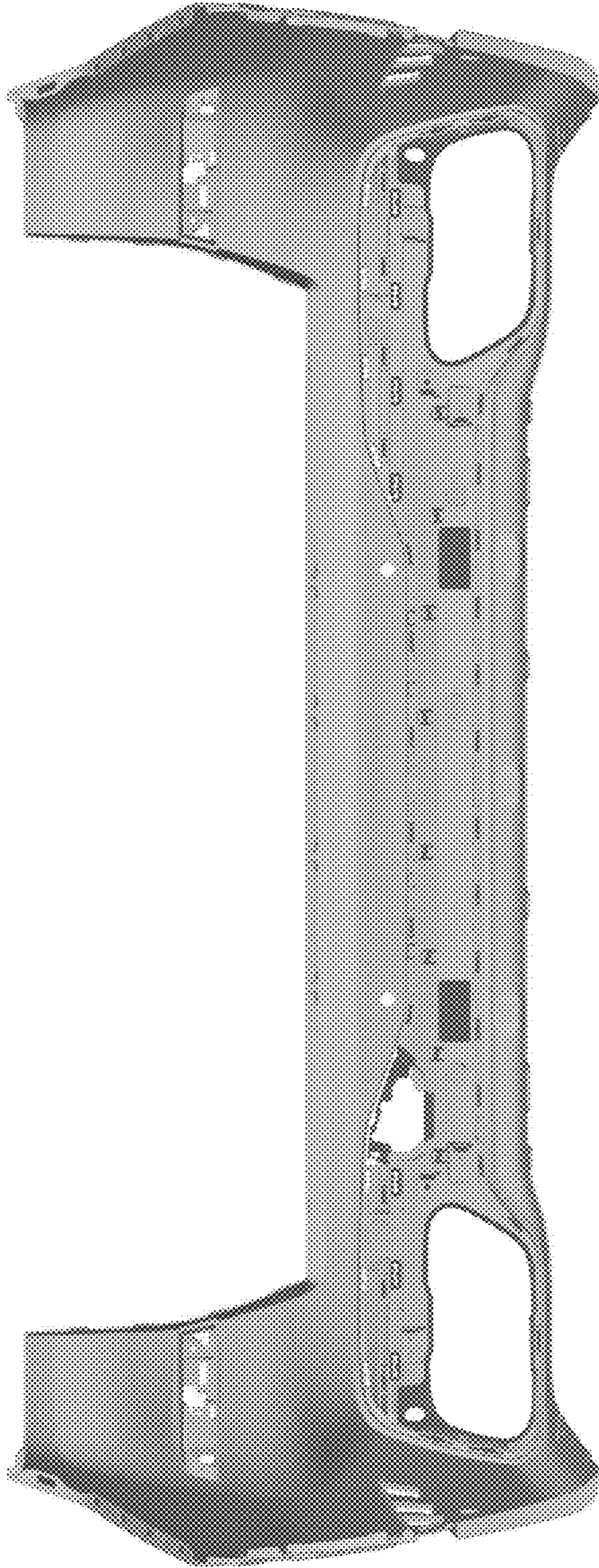


Fig. 8