



US00D845849S

(12) **United States Design Patent** (10) **Patent No.:** **US D845,849 S**
Sarreméjean (45) **Date of Patent:** **** Apr. 16, 2019**

(54) **REAR BUMPER FOR A VEHICLE**

D815,572 S * 4/2018 Perkins D12/169
D818,402 S * 5/2018 Kawakami D12/169
D821,940 S * 7/2018 Platto D12/169

(71) Applicant: **Bayerische Motoren Werke Aktiengesellschaft, Munich (DE)**

FOREIGN PATENT DOCUMENTS

(72) Inventor: **Julien Thibaut Thomas Sarreméjean, Munich (DE)**

WO WO DM/084222 2/2015

* cited by examiner

(73) Assignee: **Bayerische Motoren Werke Aktiengesellschaft, Munich (DE)**

Primary Examiner — Melody N Brown

(**) Term: **15 Years**

(74) *Attorney, Agent, or Firm* — Crowell & Moring LLP

(21) Appl. No.: **29/630,704**

(57) **CLAIM**

(22) Filed: **Dec. 22, 2017**

The ornamental design for a rear bumper for a vehicle, as shown and described.

(30) **Foreign Application Priority Data**

DESCRIPTION

Jun. 30, 2017 (DE) 40 2017 100 780

(51) **LOC (11) Cl.** **12-16**

(52) **U.S. Cl.**
USPC **D12/169**

(58) **Field of Classification Search**
USPC D12/169; 293/102, 113, 115, 117, 120;
296/180.1, 180.2

CPC B60R 19/02; B60R 19/04; B62D 25/08

See application file for complete search history.

This application contains subject matter related to the following co-pending U.S. design patent applications: Application Ser. No. 29/630,695, filed herewith and entitled "Vehicle, Toy, and/or Replicas Thereof"; and Application Ser. No. 29/630,705, filed herewith and entitled "Rear Bumper for a Vehicle".

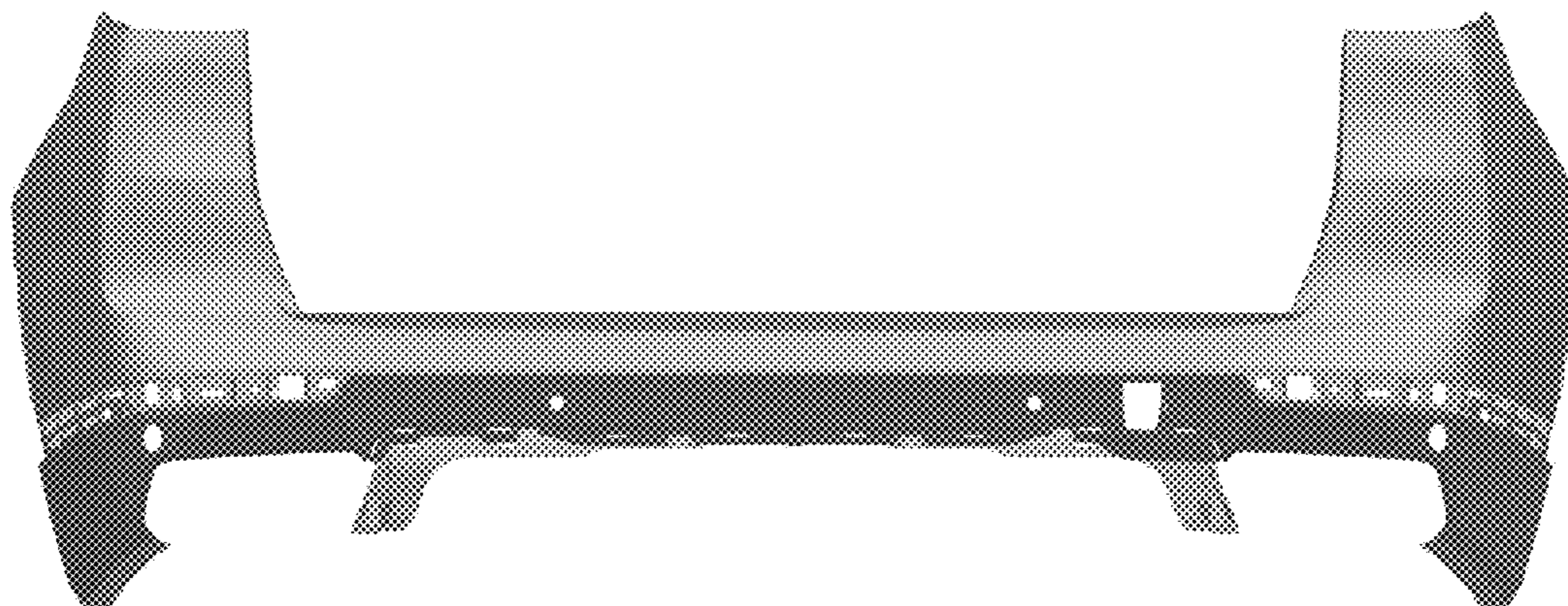
FIG. 1 is a front view of a rear bumper for a vehicle according to the design;
FIG. 2 is a left perspective view thereof;
FIG. 3 is a right perspective view thereof;
FIG. 4 is a left side view thereof;
FIG. 5 is a right side view thereof;
FIG. 6 is a top view thereof;
FIG. 7 is a bottom view thereof; and,
FIG. 8 is a rear view thereof.

(56) **References Cited**

U.S. PATENT DOCUMENTS

D715,707 S 10/2014 Johnson
D801,885 S * 11/2017 Melikian D12/169
D807,801 S * 1/2018 Piscitelli B65D 85/1045
D12/169
D813,115 S * 3/2018 Holstein D12/169

1 Claim, 8 Drawing Sheets



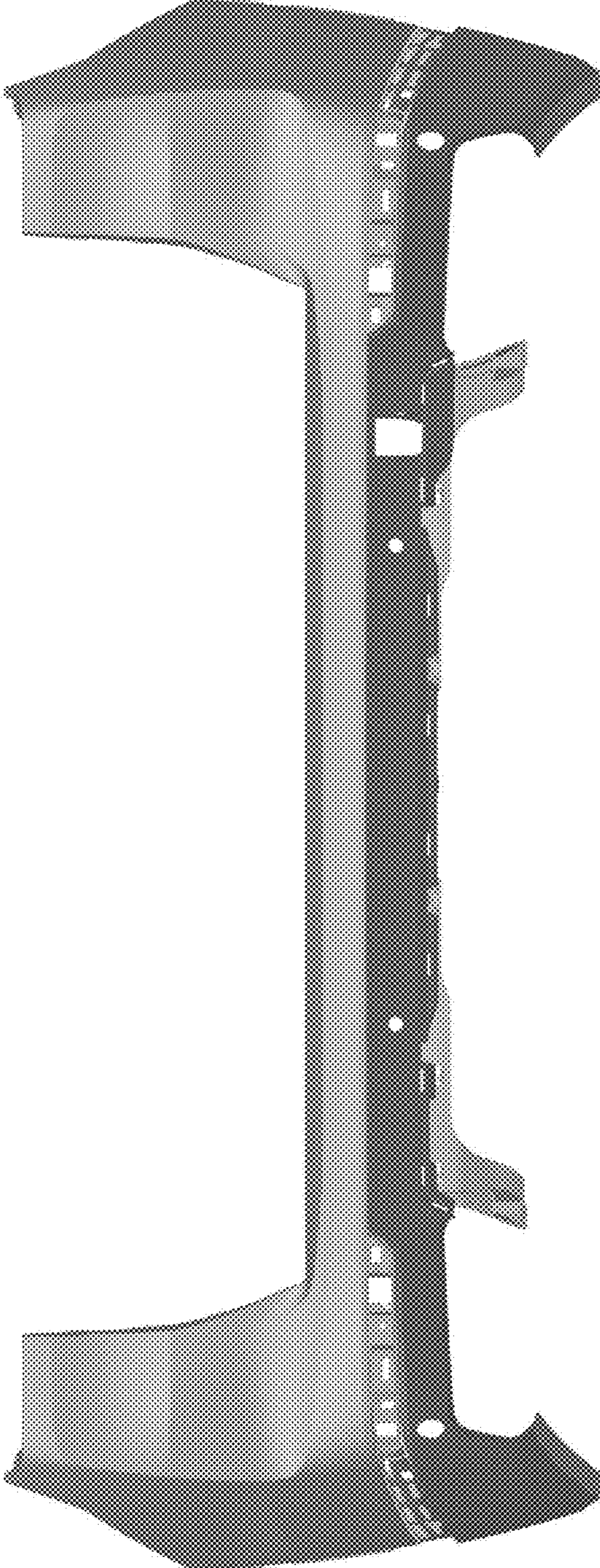


Fig. 1

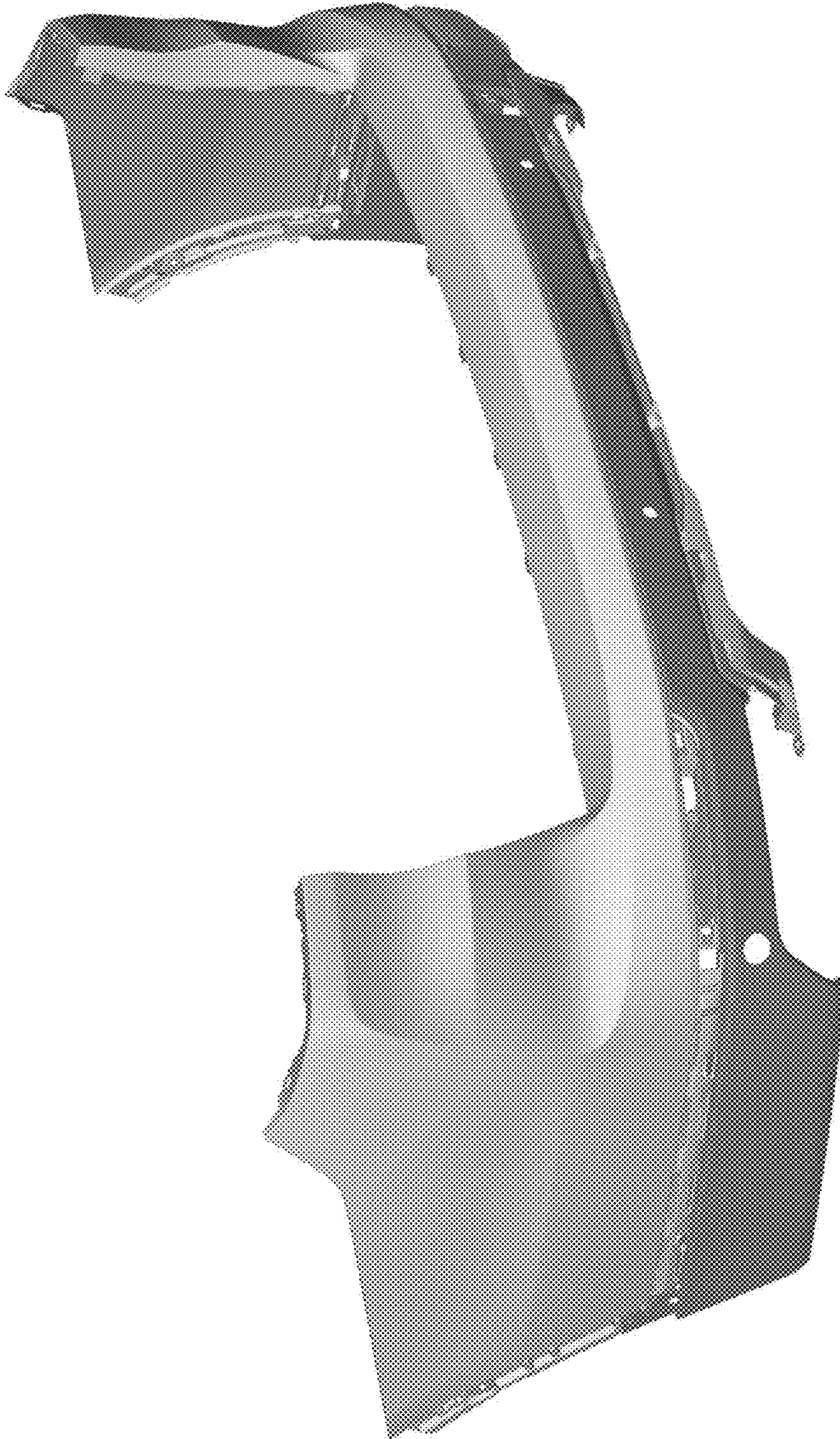


Fig. 2

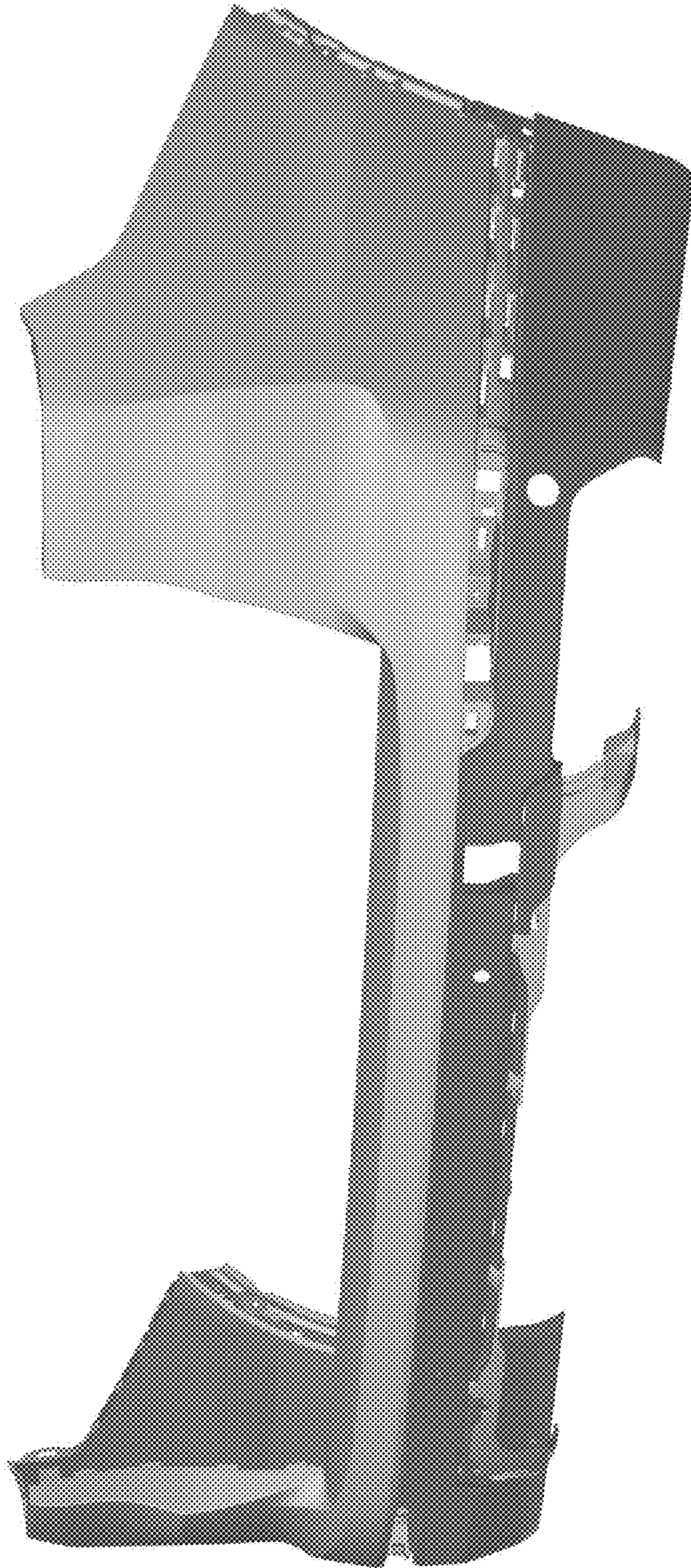


Fig. 3

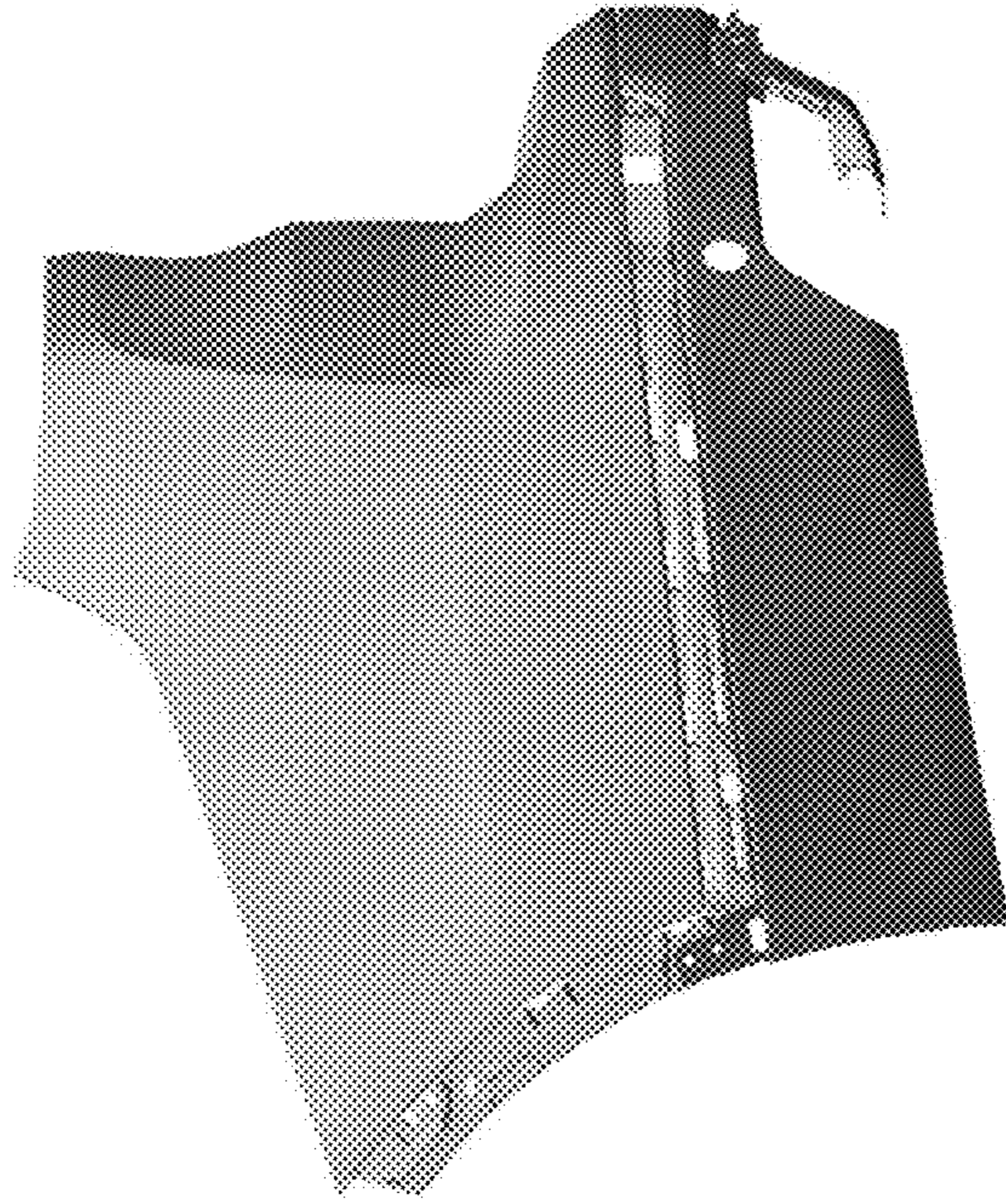


Fig. 4

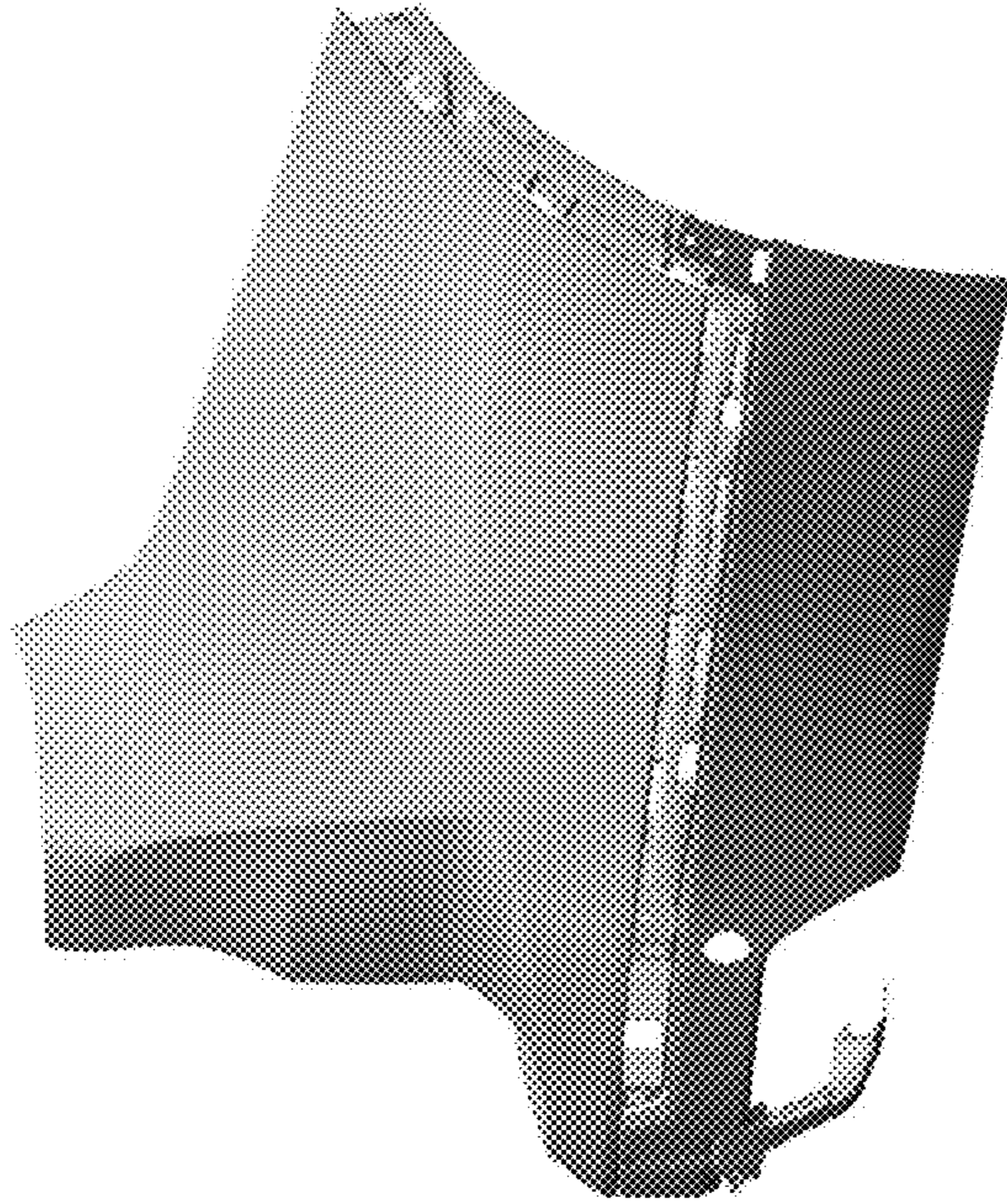


Fig. 5

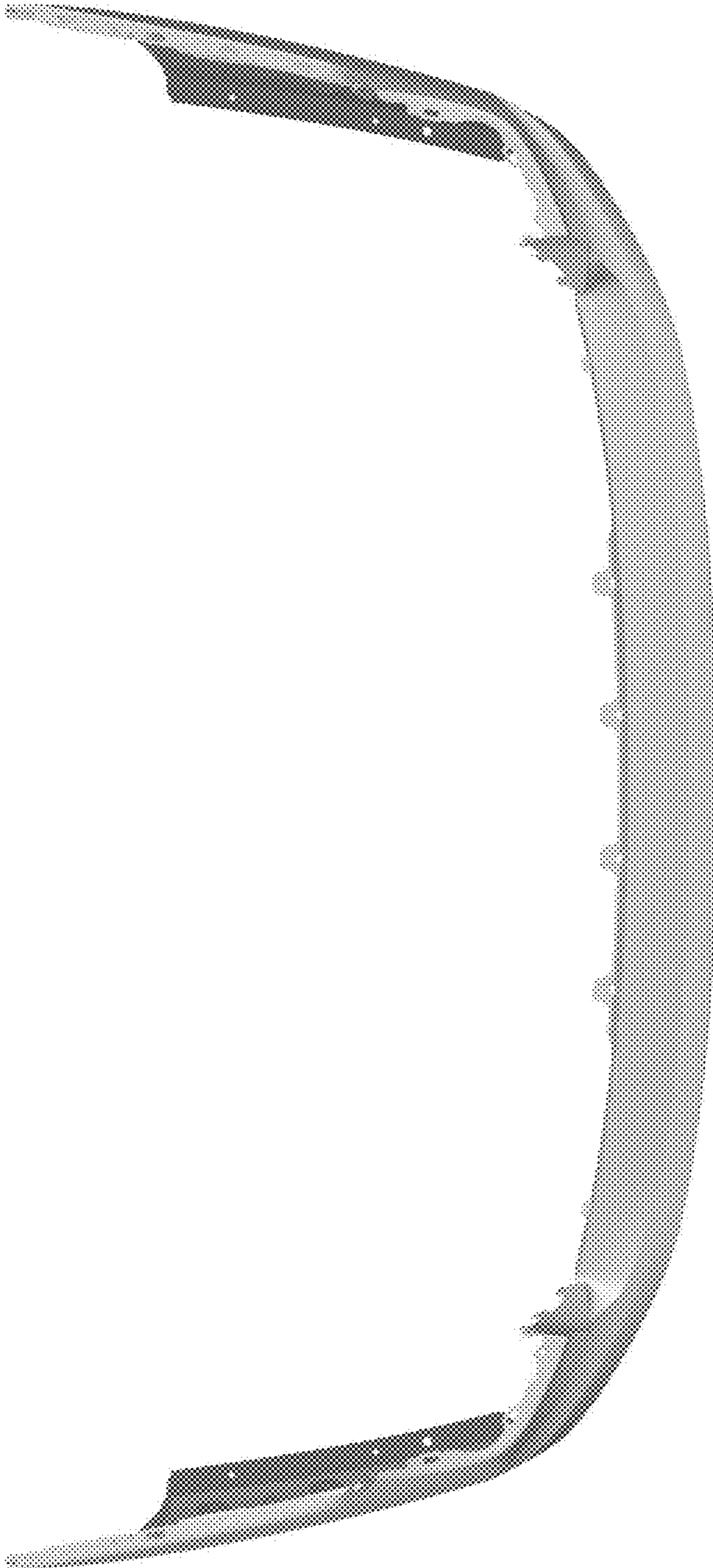


Fig. 6

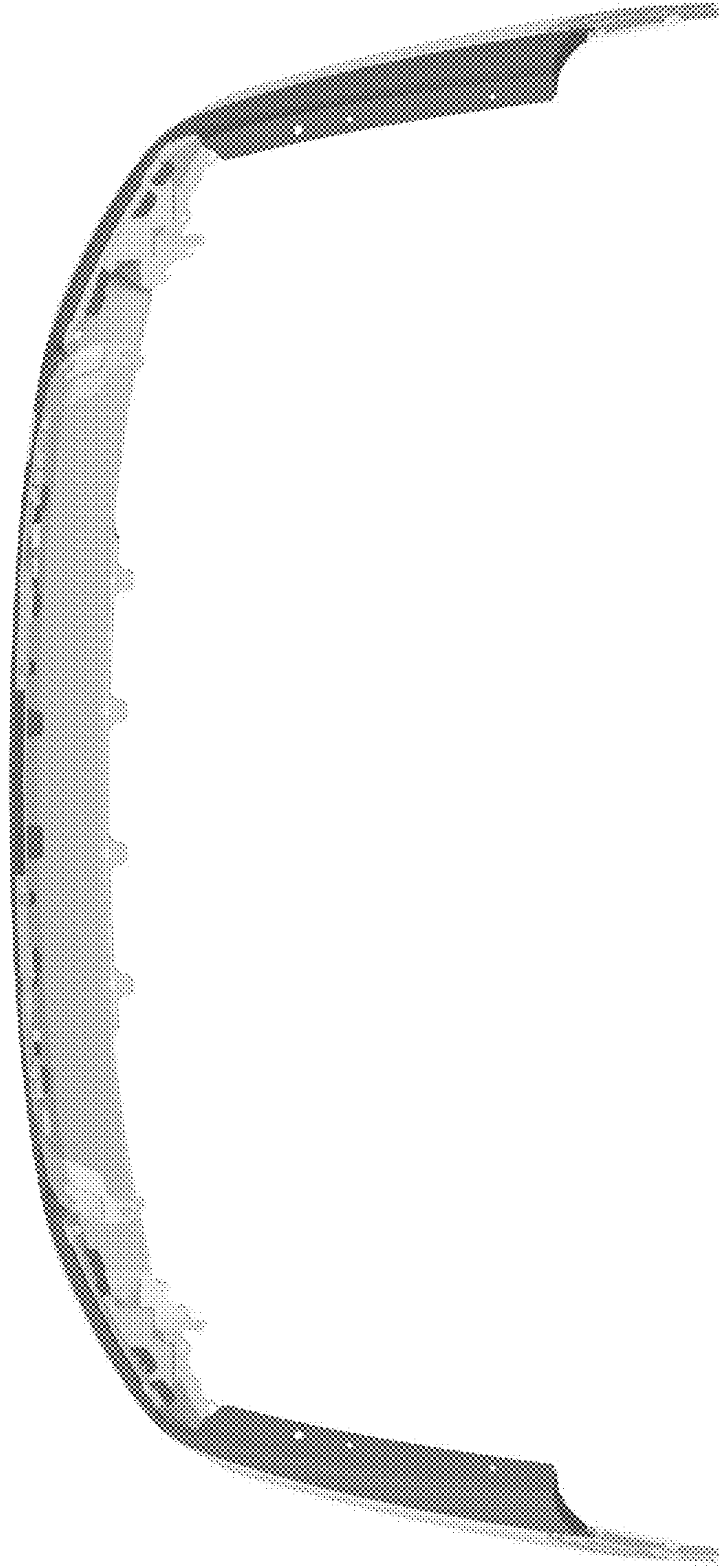


Fig. 7

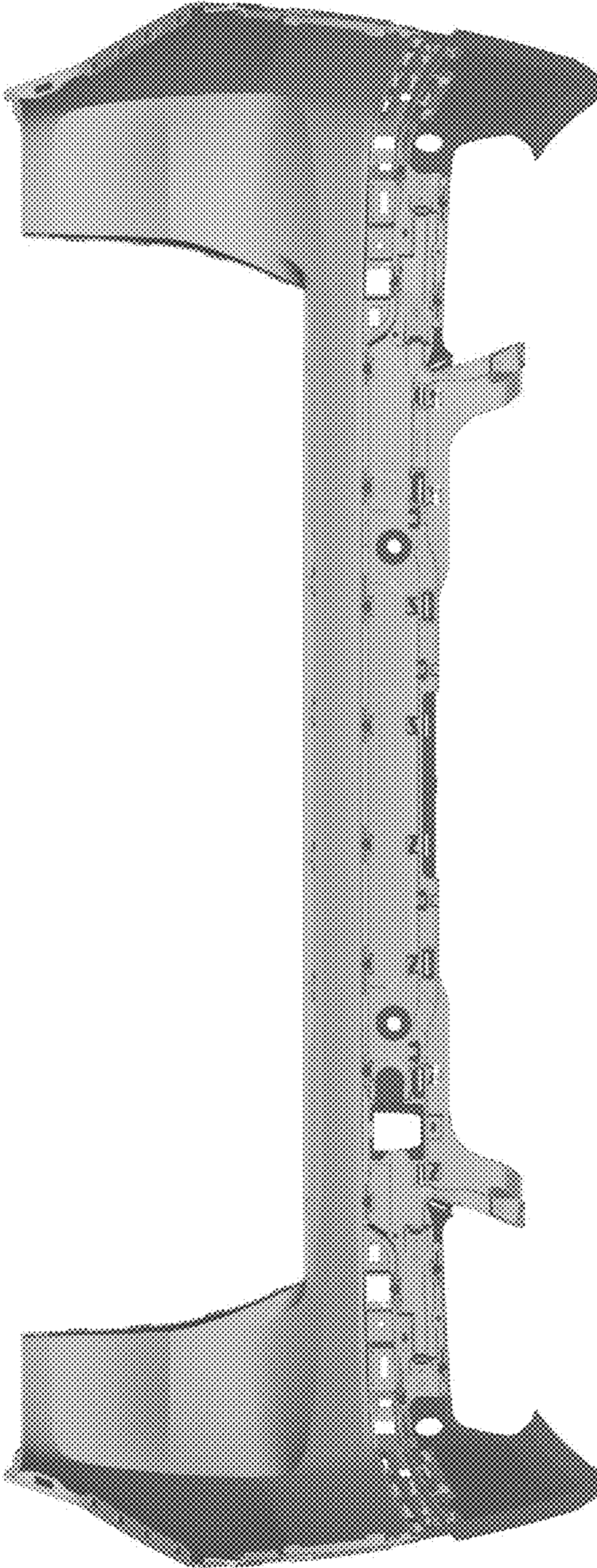


Fig. 8