



US00D845848S

(12) **United States Design Patent** (10) **Patent No.:** **US D845,848 S**  
**Kang** (45) **Date of Patent:** **\*\* Apr. 16, 2019**

(54) **FRONT BUMPER FOR A VEHICLE**  
(71) Applicant: **Bayerische Motoren Werke Aktiengesellschaft, Munich (DE)**

D823,747 S \* 7/2018 Tsarukyan ..... D12/169  
D825,412 S \* 8/2018 Luk ..... D12/169  
D825,414 S \* 8/2018 De Bono ..... D12/169  
D830,920 S \* 10/2018 Munakata ..... D12/169  
D830,921 S \* 10/2018 Zhang ..... D12/169

(72) Inventor: **Won-kyu Kang, Munich (DE)**  
(73) Assignee: **Bayerische Motoren Werke Aktiengesellschaft, Munich (DE)**

**FOREIGN PATENT DOCUMENTS**

WO WO DM/071066 6/2009  
WO WO DM/082404 6/2014  
WO WO DM/096281 11/2017

(\*\*) Term: **15 Years**

\* cited by examiner

(21) Appl. No.: **29/630,699**

*Primary Examiner* — Melody N Brown

(22) Filed: **Dec. 22, 2017**

(74) *Attorney, Agent, or Firm* — Crowell & Moring LLP

(30) **Foreign Application Priority Data**

(57) **CLAIM**

The ornamental design for a front bumper for a vehicle, as shown and described.

Jun. 30, 2017 (DE) ..... 40 2017 100 780

**DESCRIPTION**

(51) **LOC (11) Cl.** ..... **12-16**

This application contains subject matter related to the following co-pending U.S. design patent applications:

(52) **U.S. Cl.**

USPC ..... **D12/169**

Application Ser. No. 29/605,296, filed May 25, 2017 and entitled "Front Bumper for a Vehicle"; and

(58) **Field of Classification Search**

USPC ..... D12/169; 293/102, 113, 115, 117, 120; 296/180.1, 180.2

Application Ser. No. 29/630,697, filed herewith and entitled "Front Bumper for a Vehicle".

CPC ..... B60R 19/02; B60R 19/04; B62D 25/08  
See application file for complete search history.

FIG. 1 is a front view of a front bumper for a vehicle according to the design;

(56) **References Cited**

**U.S. PATENT DOCUMENTS**

D610,956 S 2/2010 Truebsbach  
D737,738 S 9/2015 Nordmann  
D772,120 S \* 11/2016 Luk ..... D12/169  
D772,122 S 11/2016 Zurian  
D813,113 S \* 3/2018 Zurian ..... D12/169  
D823,746 S \* 7/2018 Lim ..... D12/169

FIG. 2 is a right, front perspective view thereof;

FIG. 3 is a left, bottom perspective view thereof;

FIG. 4 is a right side view thereof;

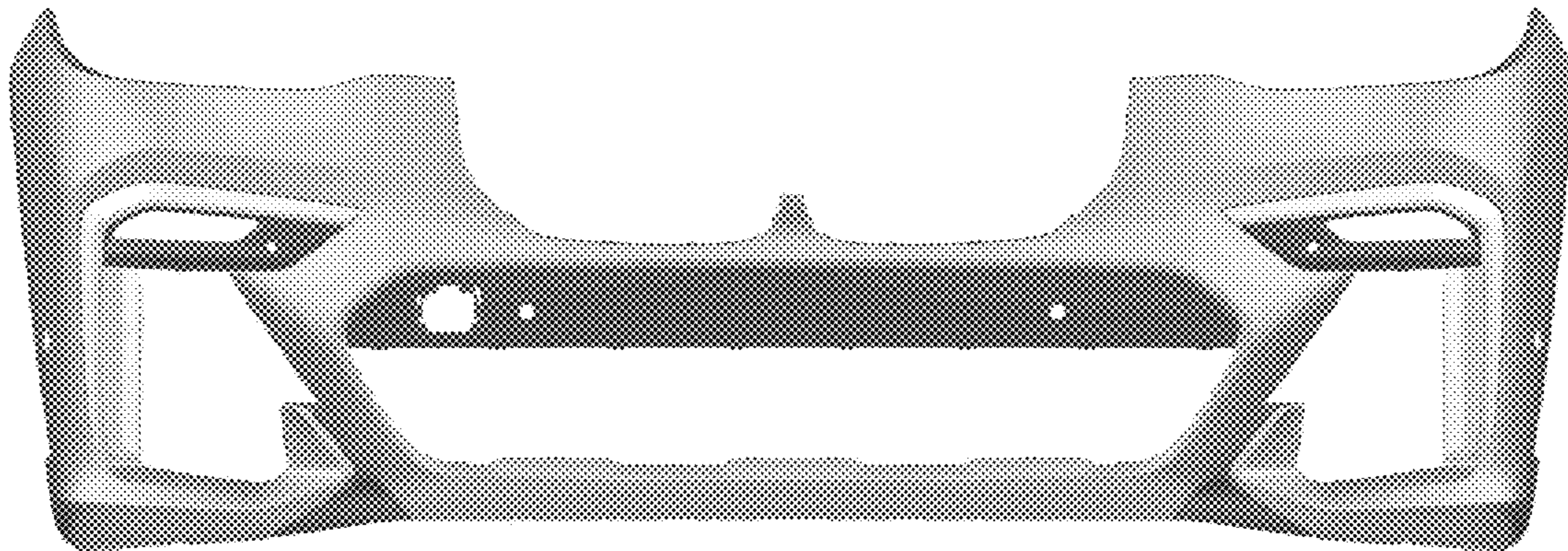
FIG. 5 is a left side view thereof;

FIG. 6 is a top view thereof;

FIG. 7 is a bottom view thereof; and,

FIG. 8 is a rear view thereof.

**1 Claim, 8 Drawing Sheets**





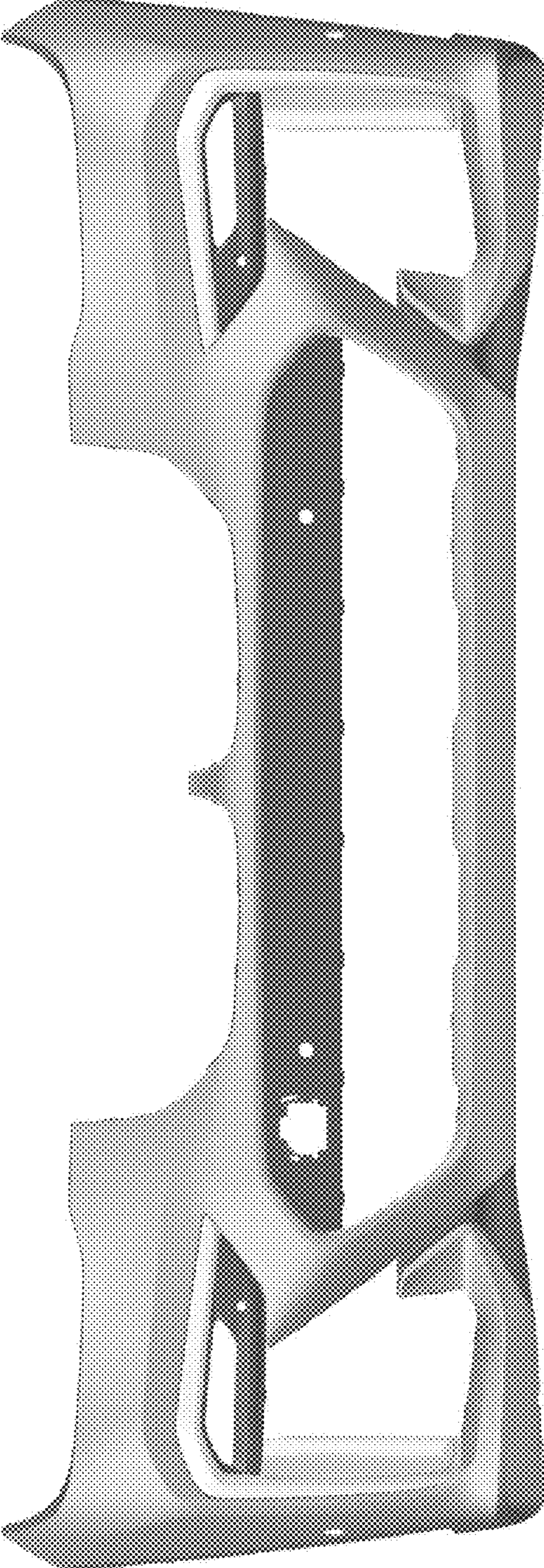


Fig. 1



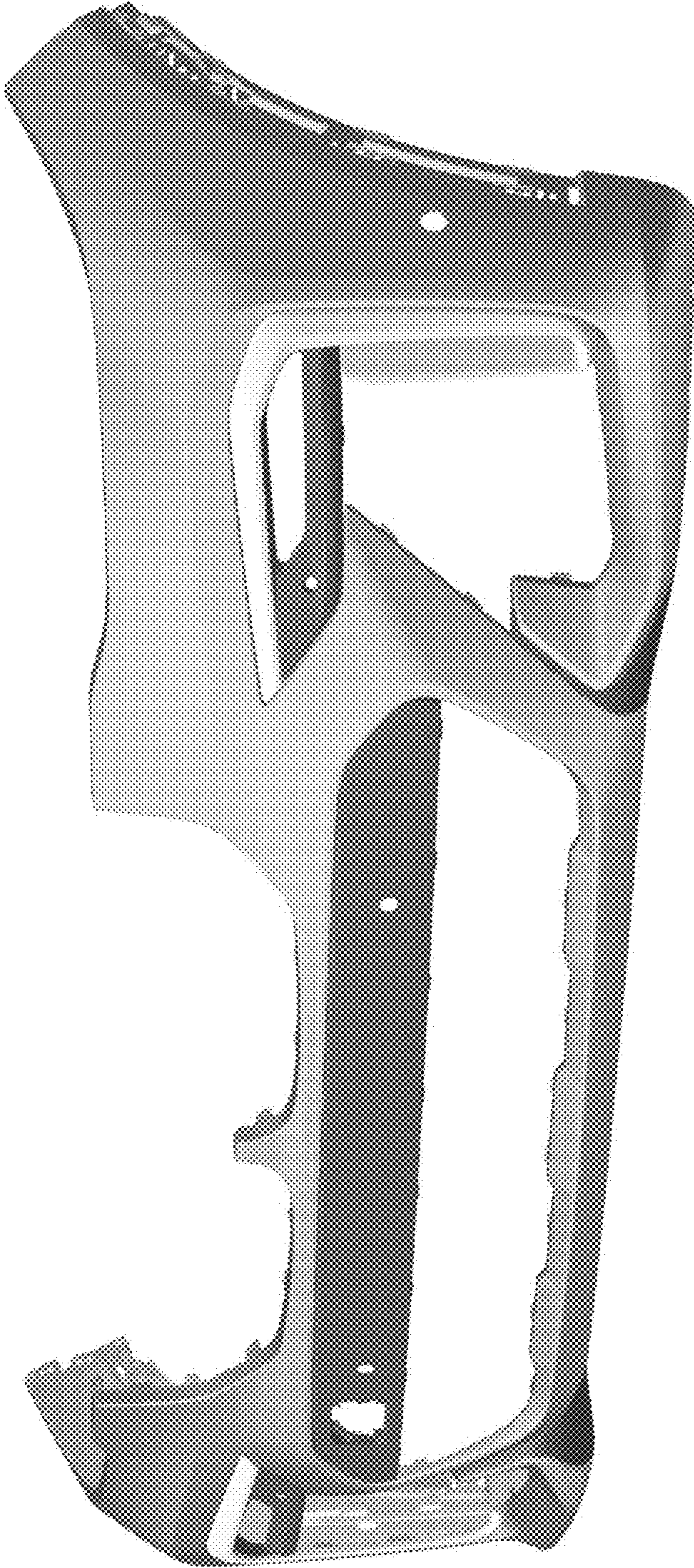


Fig. 2





Fig. 3

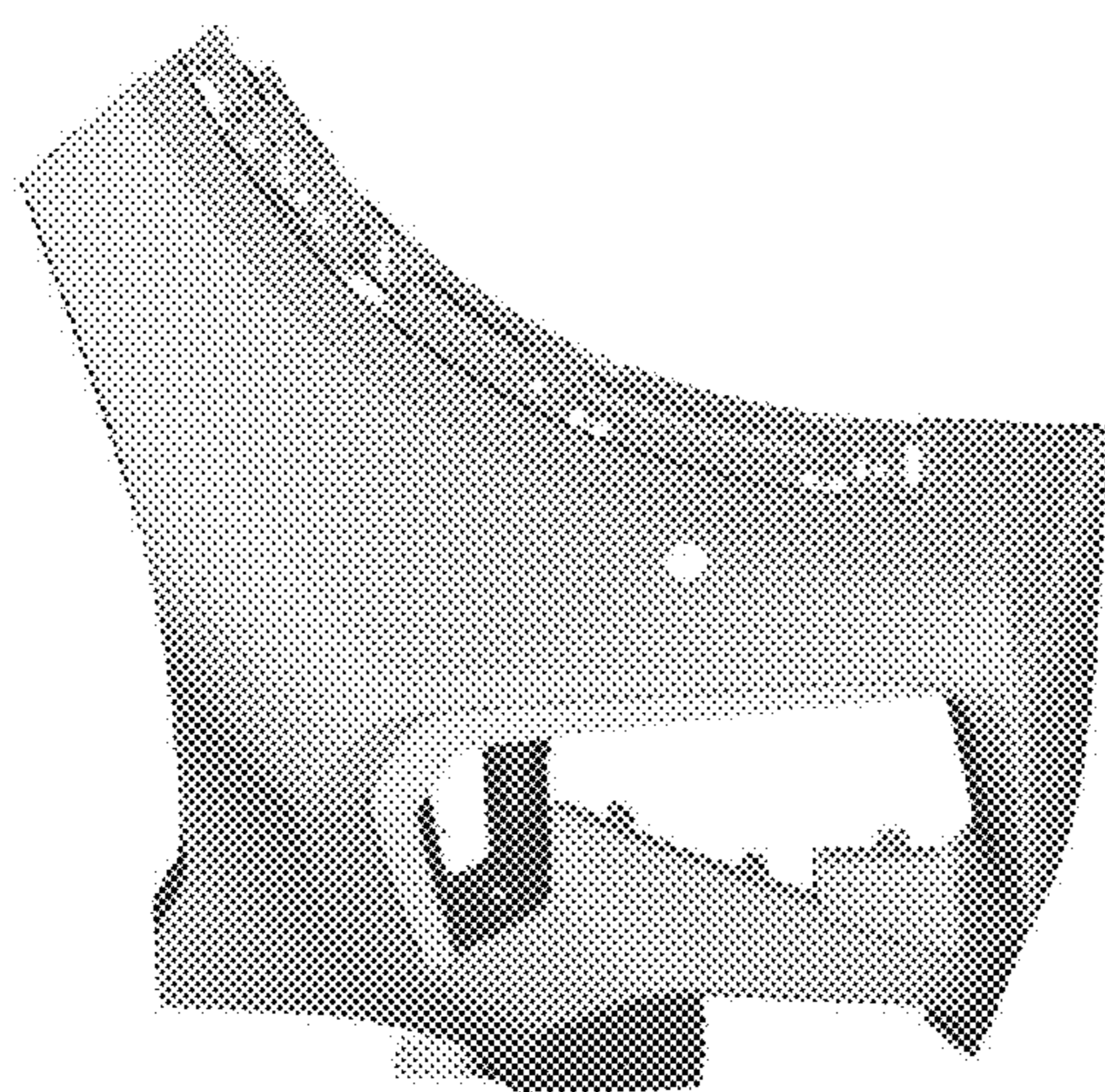


Fig. 4

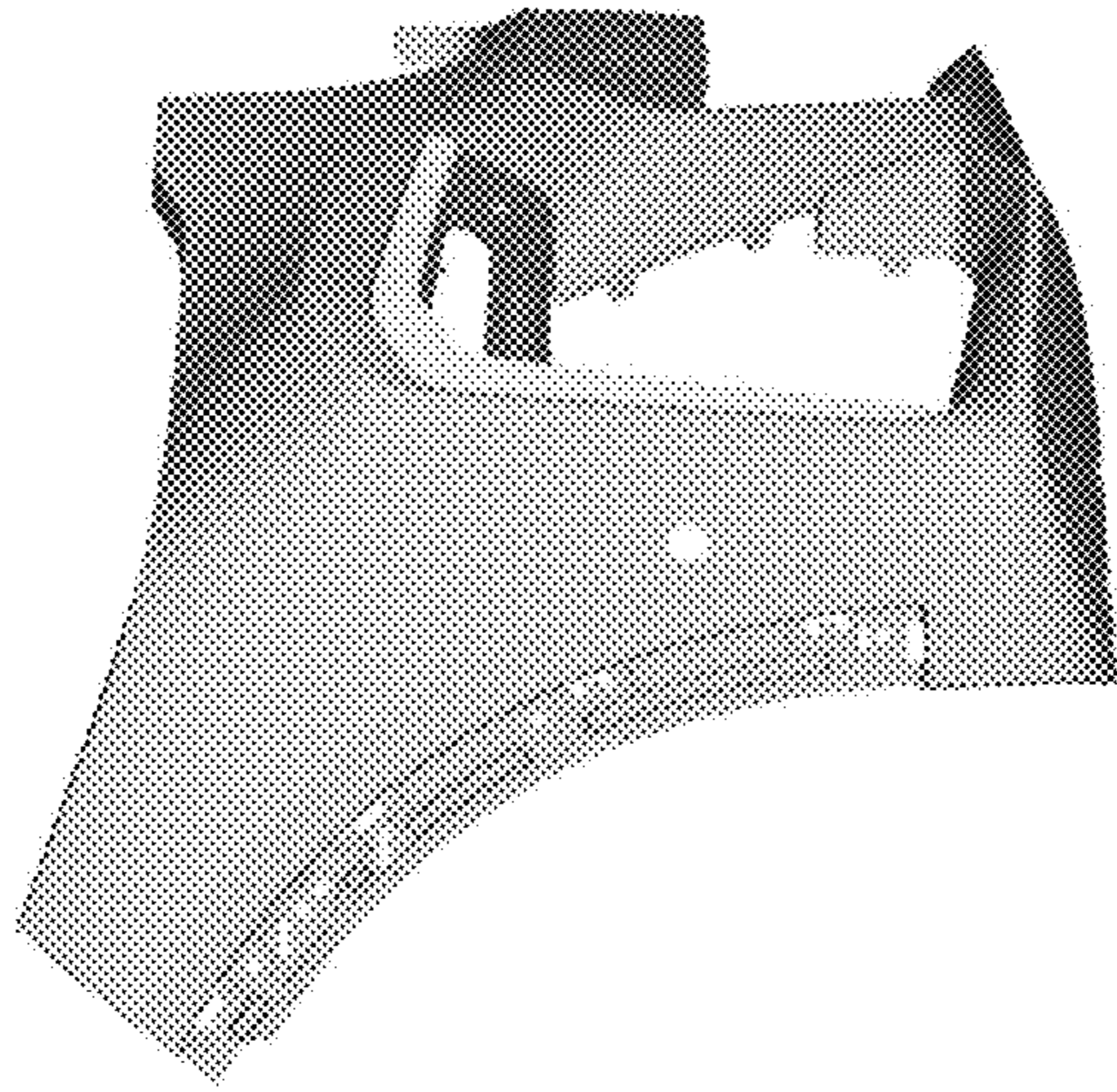


Fig. 5



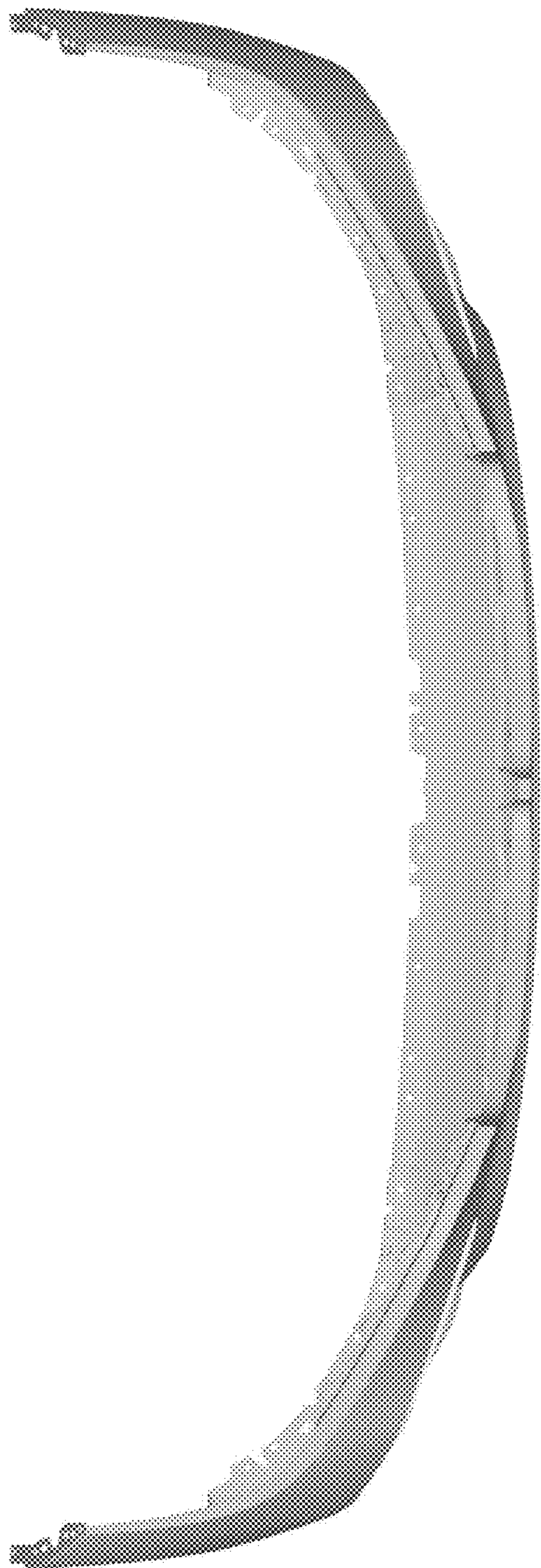


Fig. 6

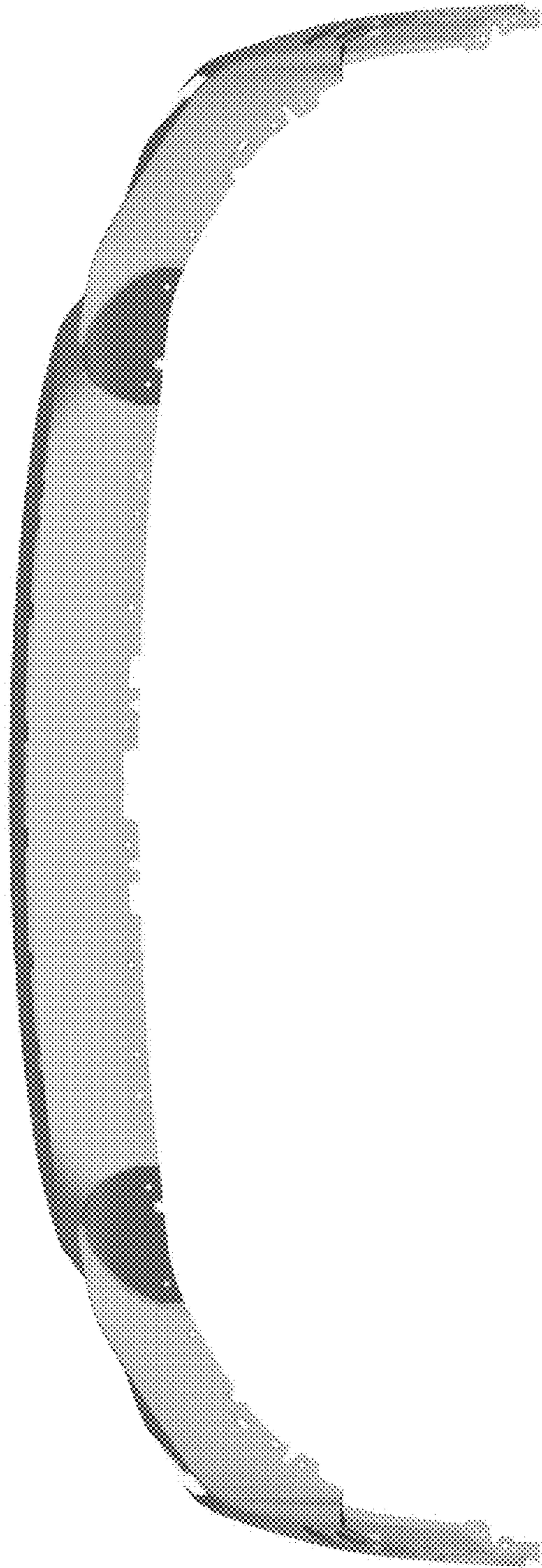


Fig. 7



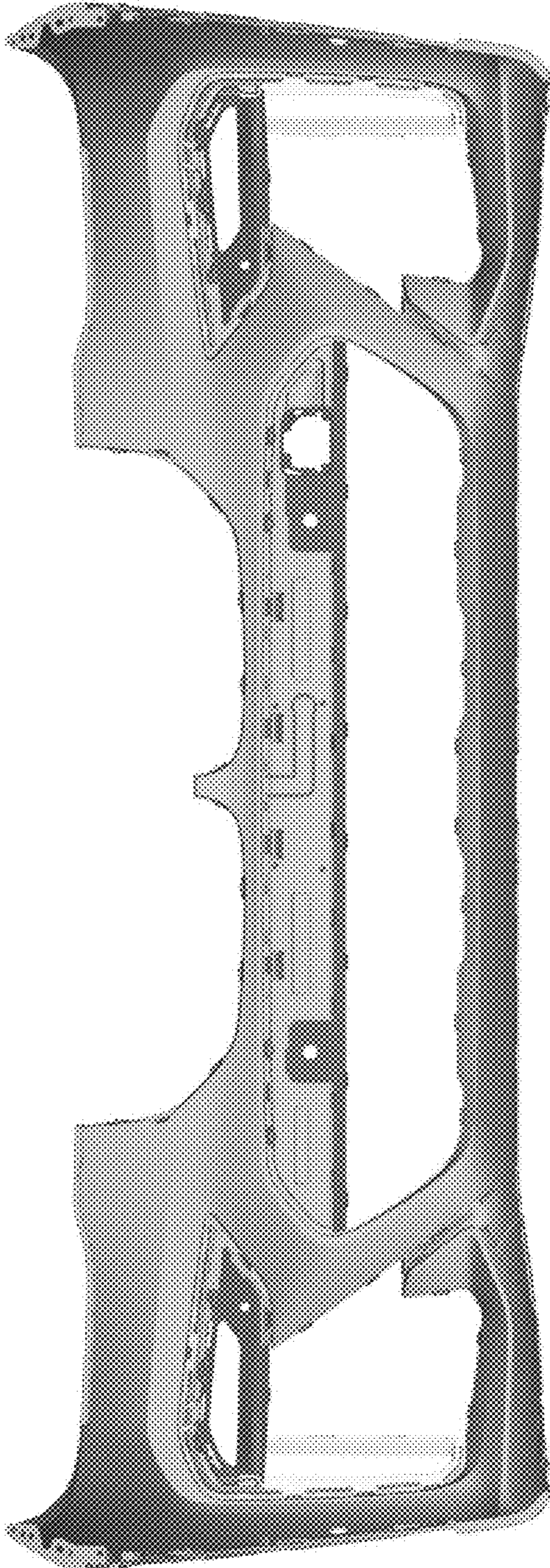


Fig. 8