



US00D845843S

(12) **United States Design Patent**
Inoue et al.

(10) **Patent No.:** **US D845,843 S**
(45) **Date of Patent:** **** Apr. 16, 2019**

(54) **HUB UNIT BEARING**
(71) Applicant: **JTEKT CORPORATION**, Osaka-shi,
Osaka (JP)
(72) Inventors: **Yuya Inoue**, Nagaokakyo (JP); **Takaaki Onizuka**, Kashiwara (JP); **Toshihiro Hakata**, Kashiwara (JP); **Teruyuki Wakisaka**, Nagoya (JP); **Takuya Toda**, Kashiwara (JP)

(73) Assignee: **JTEKT CORPORATION**, Osaka-shi (JP)

(**) Term: **15 Years**

(21) Appl. No.: **29/605,138**

(22) Filed: **May 24, 2017**

(30) **Foreign Application Priority Data**

Nov. 24, 2016 (JP) 2016-025530

(51) **LOC (11) Cl.** **12-16**

(52) **U.S. Cl.**
USPC **D12/160**

(58) **Field of Classification Search**
USPC D12/159-161, 177, 213, 400; D9/439,
D9/445; D8/396
CPC .. F16C 33/7823; F16C 2326/02; F16C 19/18;
B62D 7/18
See application file for complete search history.

(56) **References Cited**

U.S. PATENT DOCUMENTS

4,667,156 A * 5/1987 Machino B60B 27/0005
324/173
7,934,732 B1 * 5/2011 Kinney F16C 33/723
277/635
D799,383 S * 10/2017 Kong D12/159
D823,212 S * 7/2018 Prasad B60B 27/0005
D12/207

2003/0138176 A1 * 7/2003 Umekawa B60B 27/00
384/544
2006/0133708 A1 * 6/2006 Meeker B60B 27/00
384/544
2011/0211784 A1 * 9/2011 Onizuka B60B 27/0005
384/544
2014/0239597 A1 * 8/2014 White B60B 27/0073
277/352

(Continued)

FOREIGN PATENT DOCUMENTS

JP 2018039498 A * 3/2018

OTHER PUBLICATIONS

Design U.S. Appl. No. 29/605,134, filed May 24, 2017 in the name of Yuya Inoue et al.

(Continued)

Primary Examiner — Sheryl Lane
Assistant Examiner — Calvin E Vansant
(74) *Attorney, Agent, or Firm* — Oliff PLC

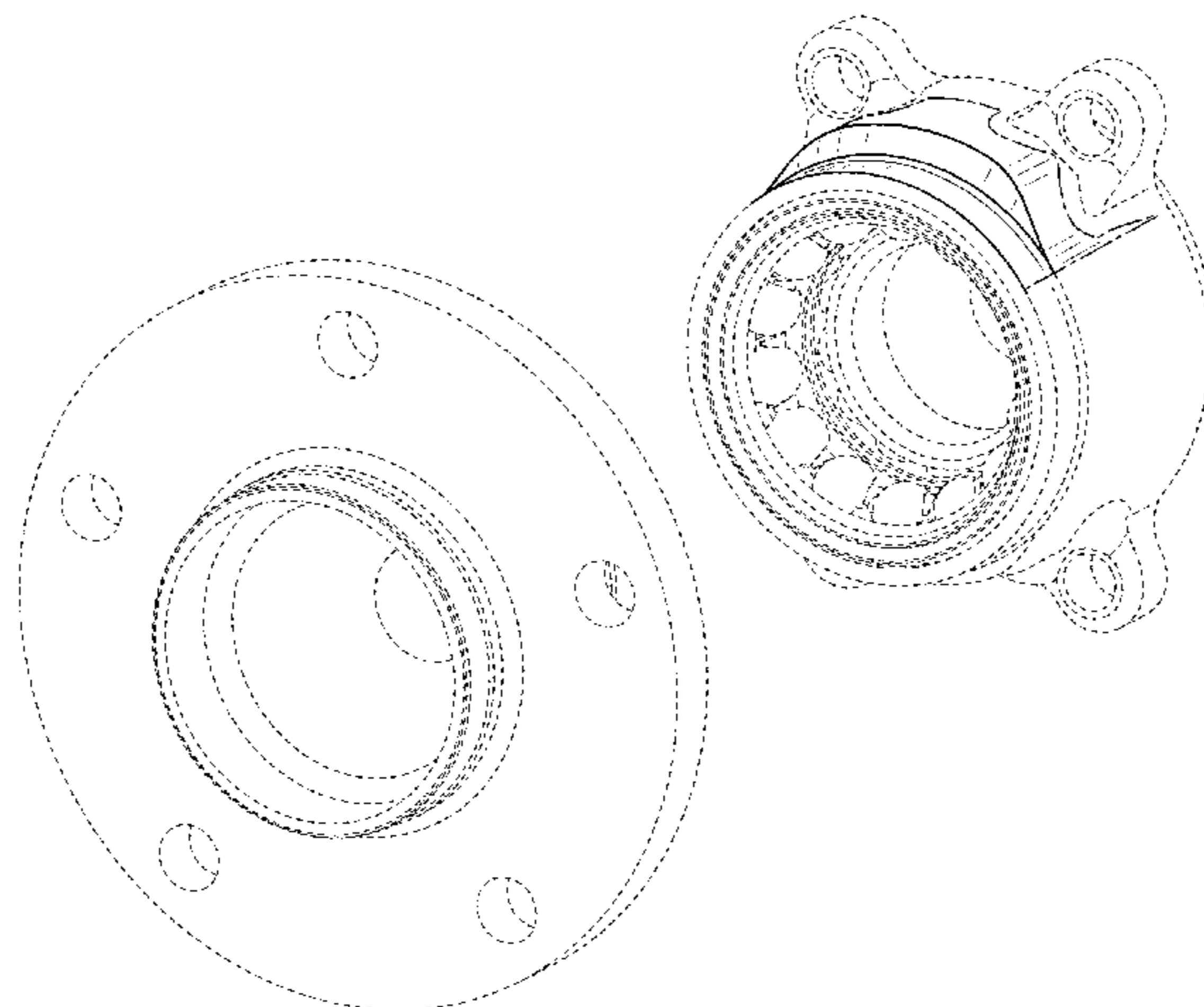
(57) **CLAIM**

The ornamental design for a hub unit bearing, as shown and described.

DESCRIPTION

FIG. 1 is a front view of a hub unit bearing showing my new design;
FIG. 2 is a rear view thereof;
FIG. 3 is a top view thereof;
FIG. 4 is a bottom view thereof;
FIG. 5 is a right side view thereof, a left side view being a mirror image thereof; and,
FIG. 6 is an exploded view thereof.
In the drawings, the dashed broken lines depict portions of the hub unit bearing that form no part of the claim. The dot-dash broken lines represent the boundary of the claimed design and form no part of the claim.

1 Claim, 4 Drawing Sheets



(56)

References Cited

U.S. PATENT DOCUMENTS

2018/0066699 A1* 3/2018 Inoue F16C 33/783

OTHER PUBLICATIONS

Design U.S. Appl. No. 29/643,752, filed Apr. 11, 2018 in the name of Yuya Inoue et al.

* cited by examiner

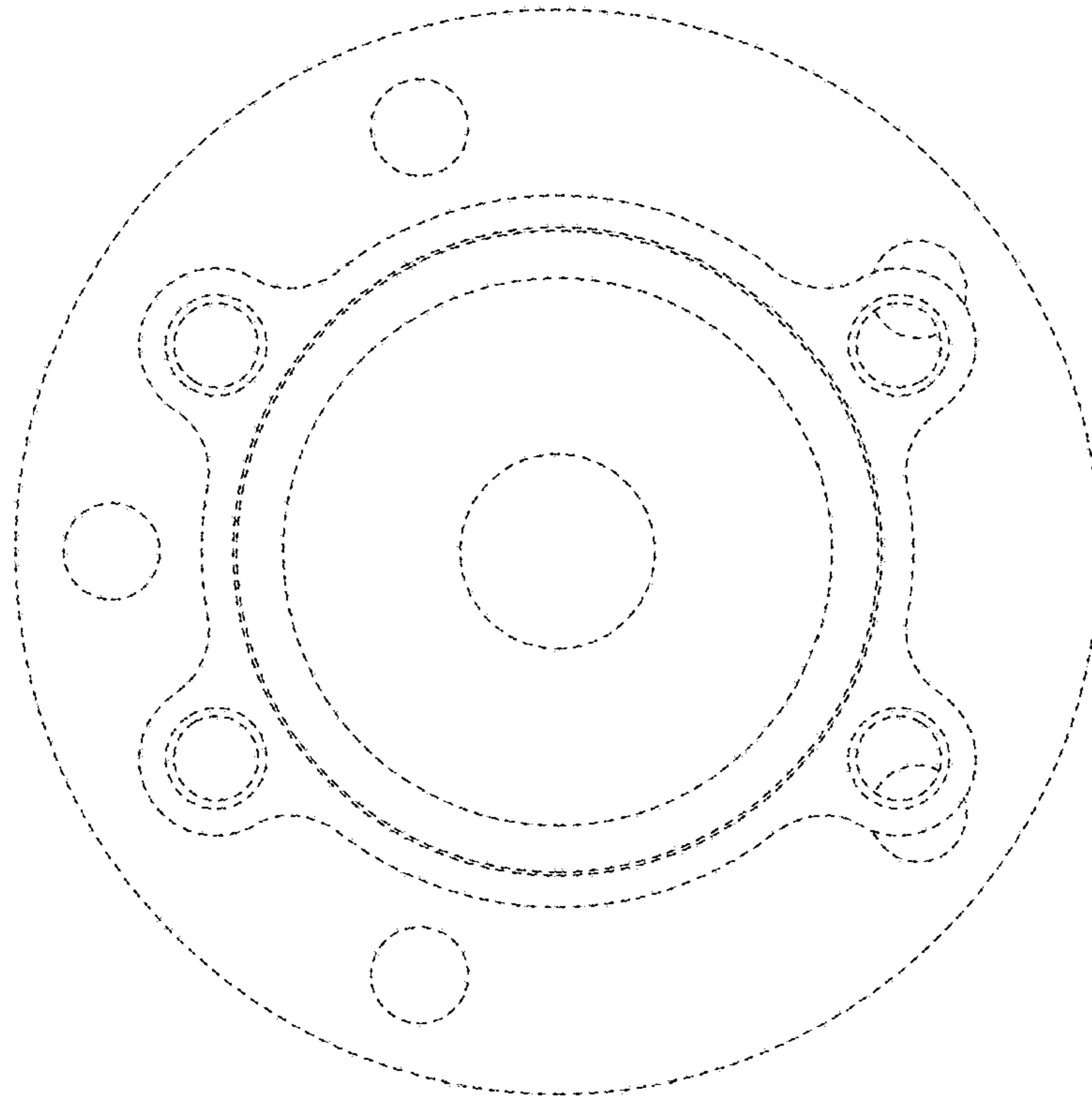


FIG. 2

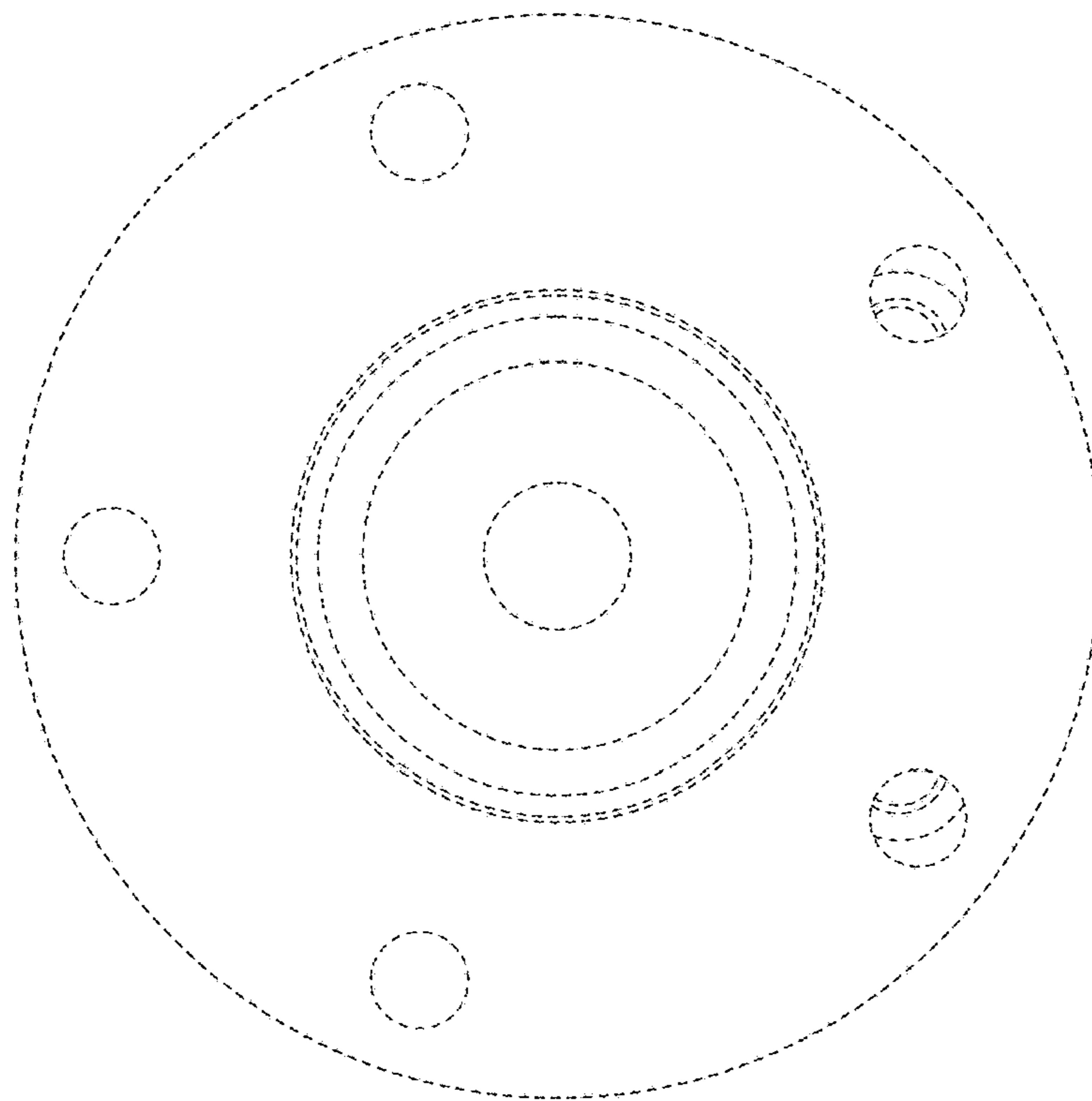


FIG. 1

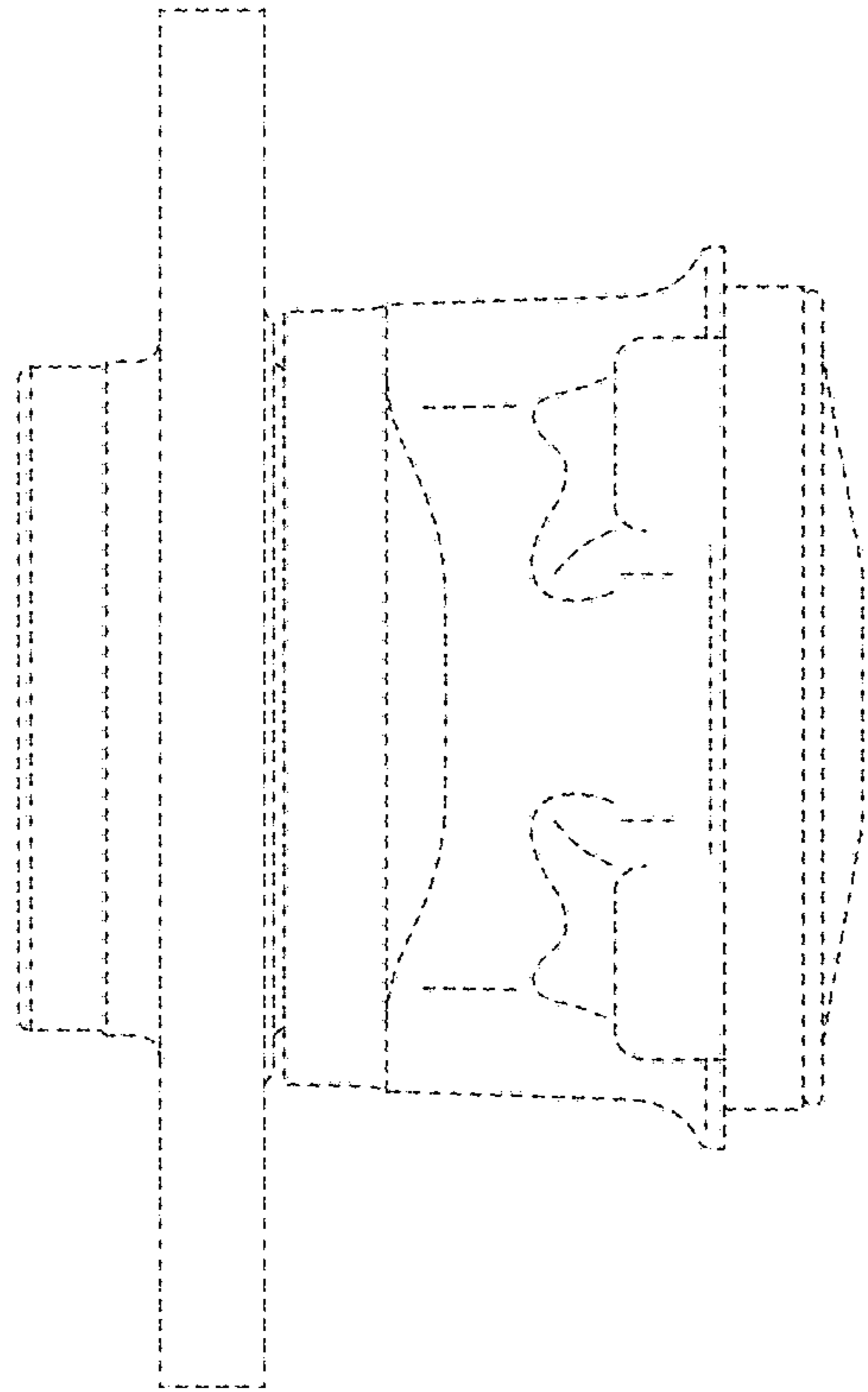


FIG. 4

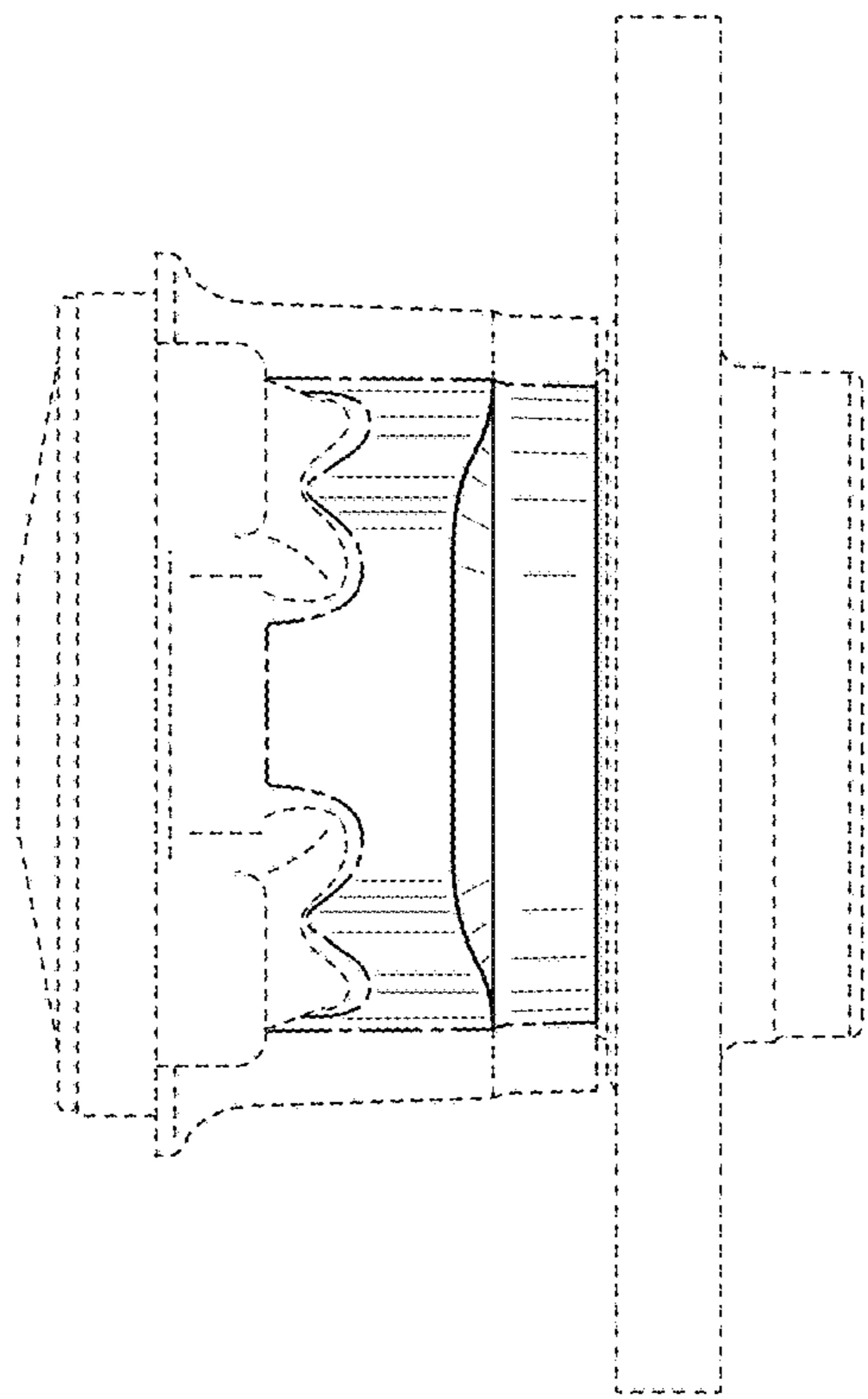


FIG. 3

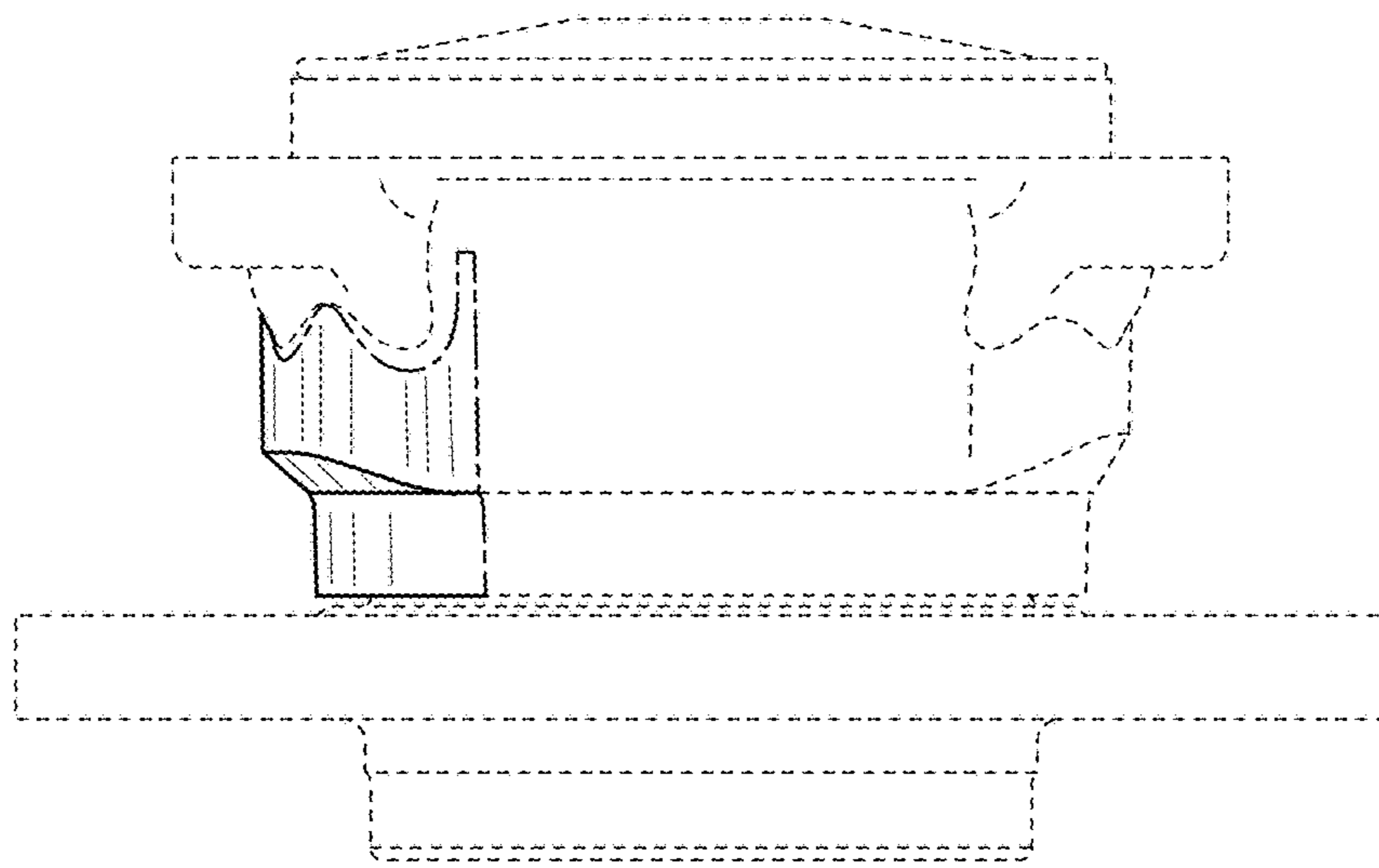


FIG. 5

