



US00D845841S

(12) **United States Design Patent**
No-Young

(10) **Patent No.:** **US D845,841 S**

(45) **Date of Patent:** **** Apr. 16, 2019**

(54) **WALKING FRAME**
(71) Applicant: **ARTIFEX Co., LTD.**, Busan (KR)
(72) Inventor: **Chung No-Young**, Busan (KR)
(73) Assignee: **ARTIFEX Co., Ltd.**, Busanjin-Gu,
Busan (KR)
(**) Term: **15 Years**

D699,634 S * 2/2014 Wu D12/130
D721,620 S * 1/2015 Huang D12/130
8,998,223 B2 * 4/2015 Chang F16D 59/02
188/20
D754,568 S * 4/2016 Wang D12/130
D766,139 S * 9/2016 Chen D12/130
D789,255 S * 6/2017 Delatorre D12/130
D798,778 S * 10/2017 Lin D12/130
D801,231 S * 10/2017 Wang D12/130
D807,793 S * 1/2018 Paterson D12/130

* cited by examiner

(21) Appl. No.: **29/635,427**

Primary Examiner — Charles D Hanson

(22) Filed: **Jan. 31, 2018**

(74) *Attorney, Agent, or Firm* — LeClairRyan PLLC

(30) **Foreign Application Priority Data**

Jul. 31, 2017 (KR) 30-2017-0035326

(51) **LOC (11) Cl.** **12-02**

(52) **U.S. Cl.**
USPC **D12/130**

(58) **Field of Classification Search**
USPC D12/128–133
CPC A61H 3/00; A61H 3/04; A61H
2003/001–2003/007; A61H 2003/043;
A61H 2003/046
See application file for complete search history.

(56) **References Cited**

U.S. PATENT DOCUMENTS

D501,432 S * 2/2005 Møller D12/130
D560,563 S * 1/2008 Fransson D12/130

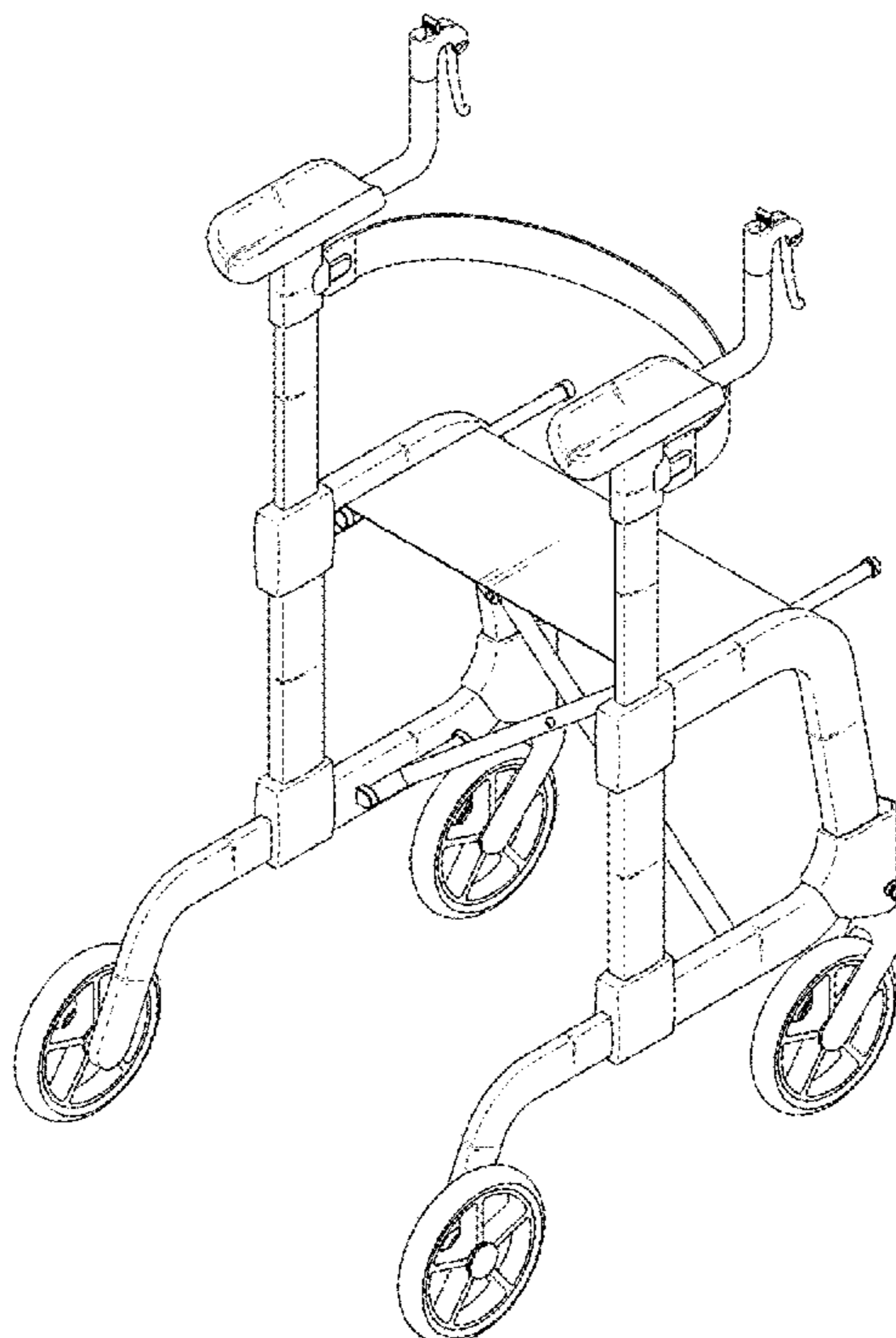
(57) **CLAIM**

The design for a walking frame, as shown and described.

DESCRIPTION

FIG. 1 is a perspective view of a walking frame;
FIG. 2 is a front view thereof;
FIG. 3 is a rear view thereof;
FIG. 4 is a left side view thereof;
FIG. 5 is a right side view thereof;
FIG. 6 is a top plane view thereof; and,
FIG. 7 is a bottom plane view thereof.

1 Claim, 7 Drawing Sheets



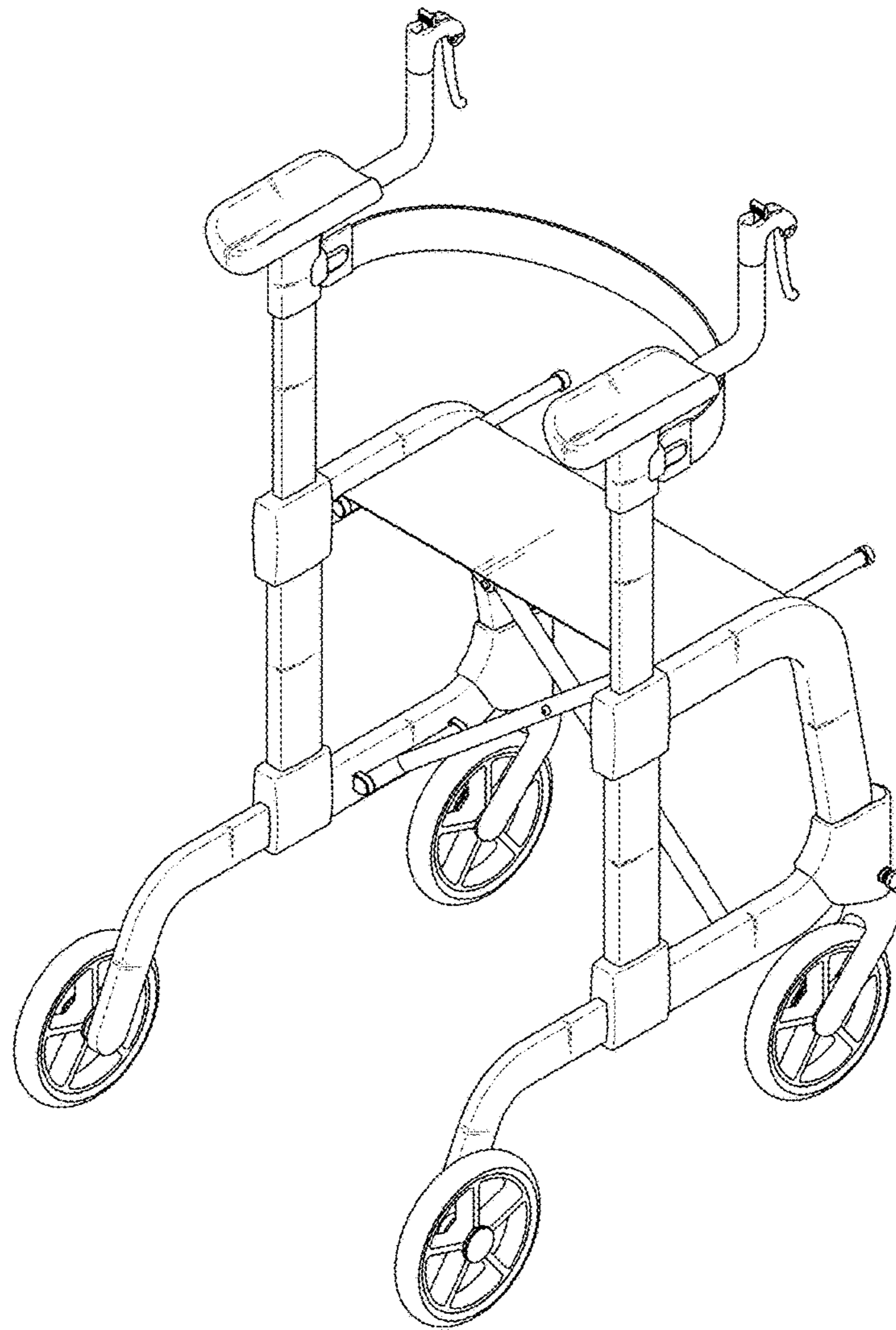


FIG. 1

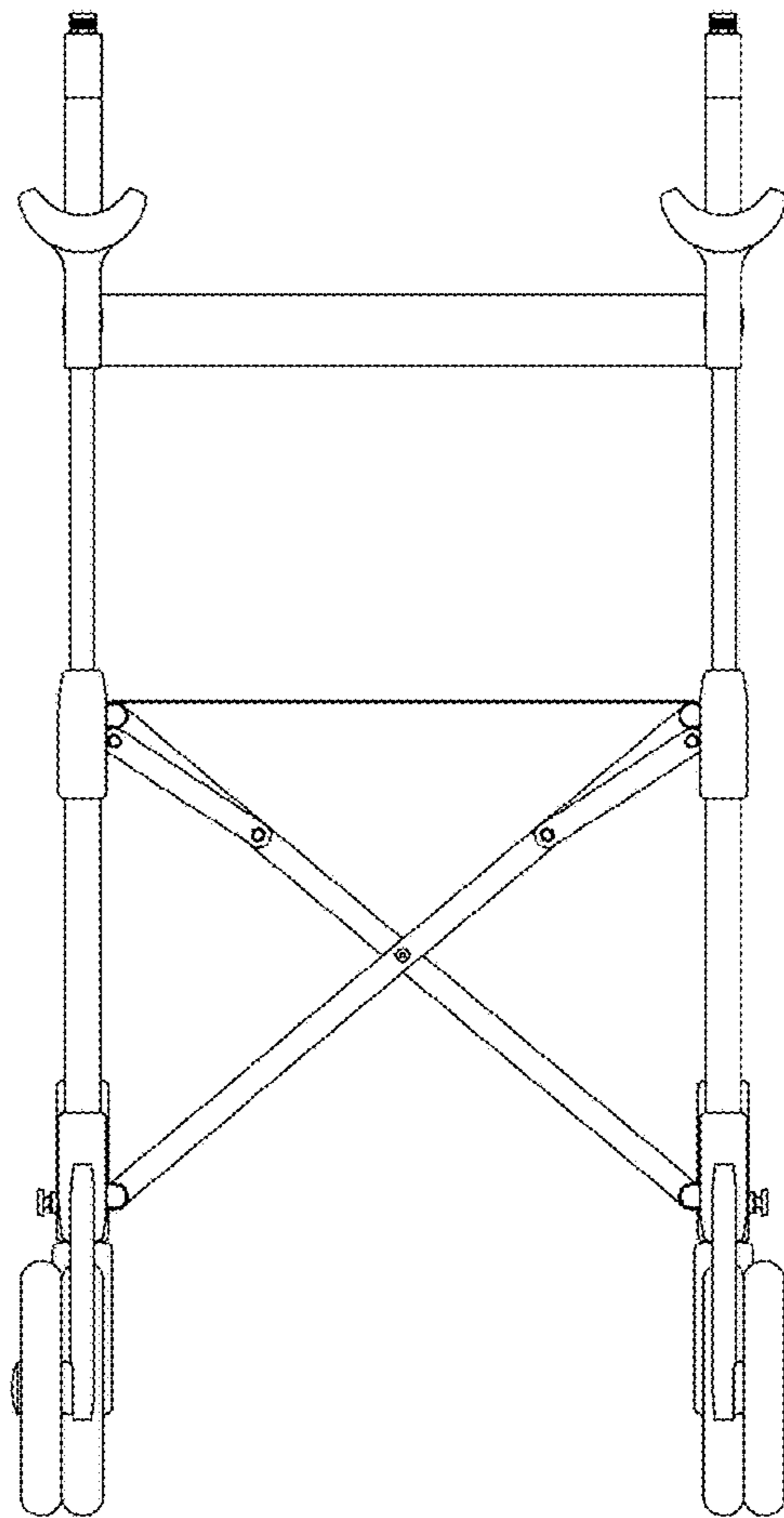


FIG. 2

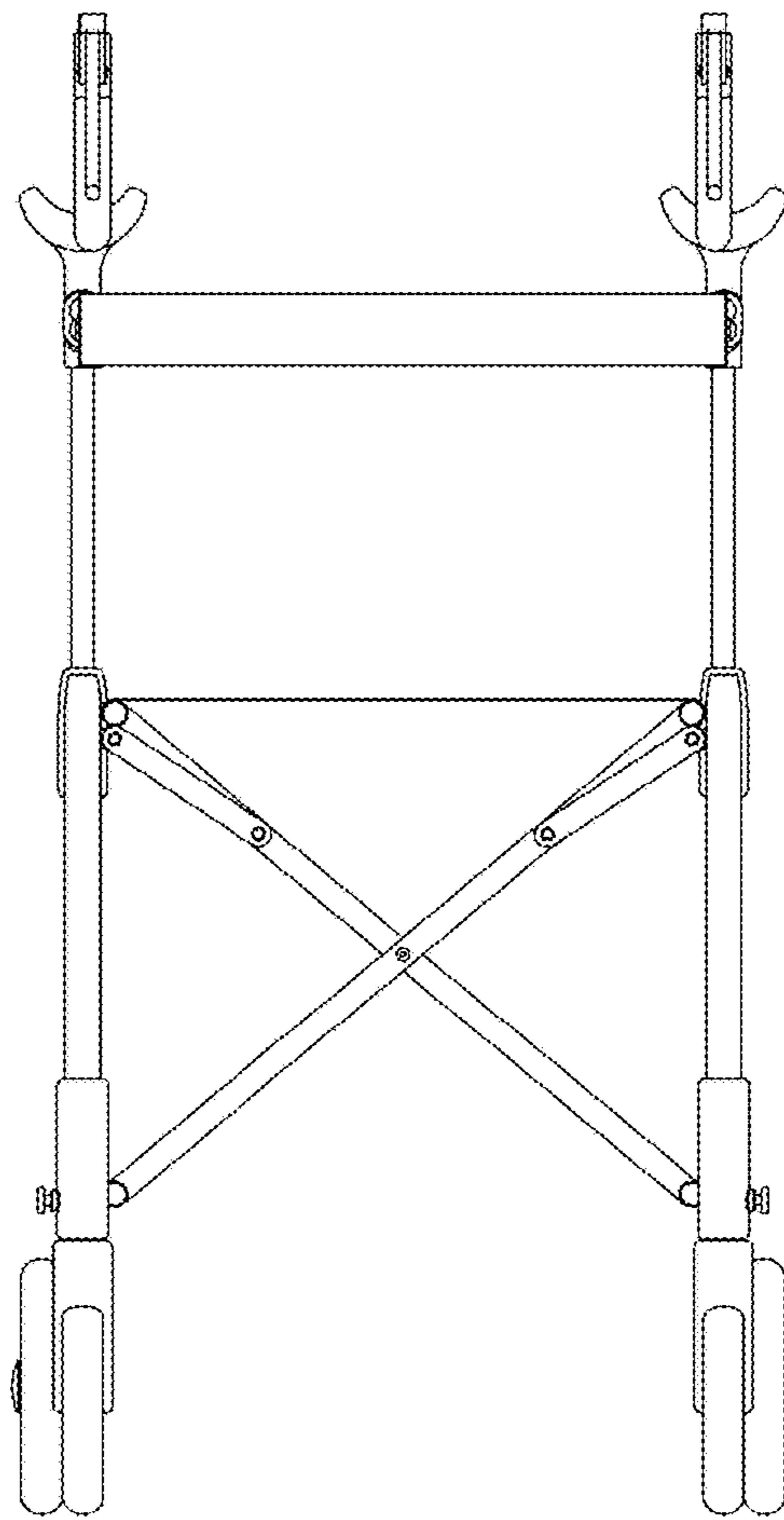


FIG. 3

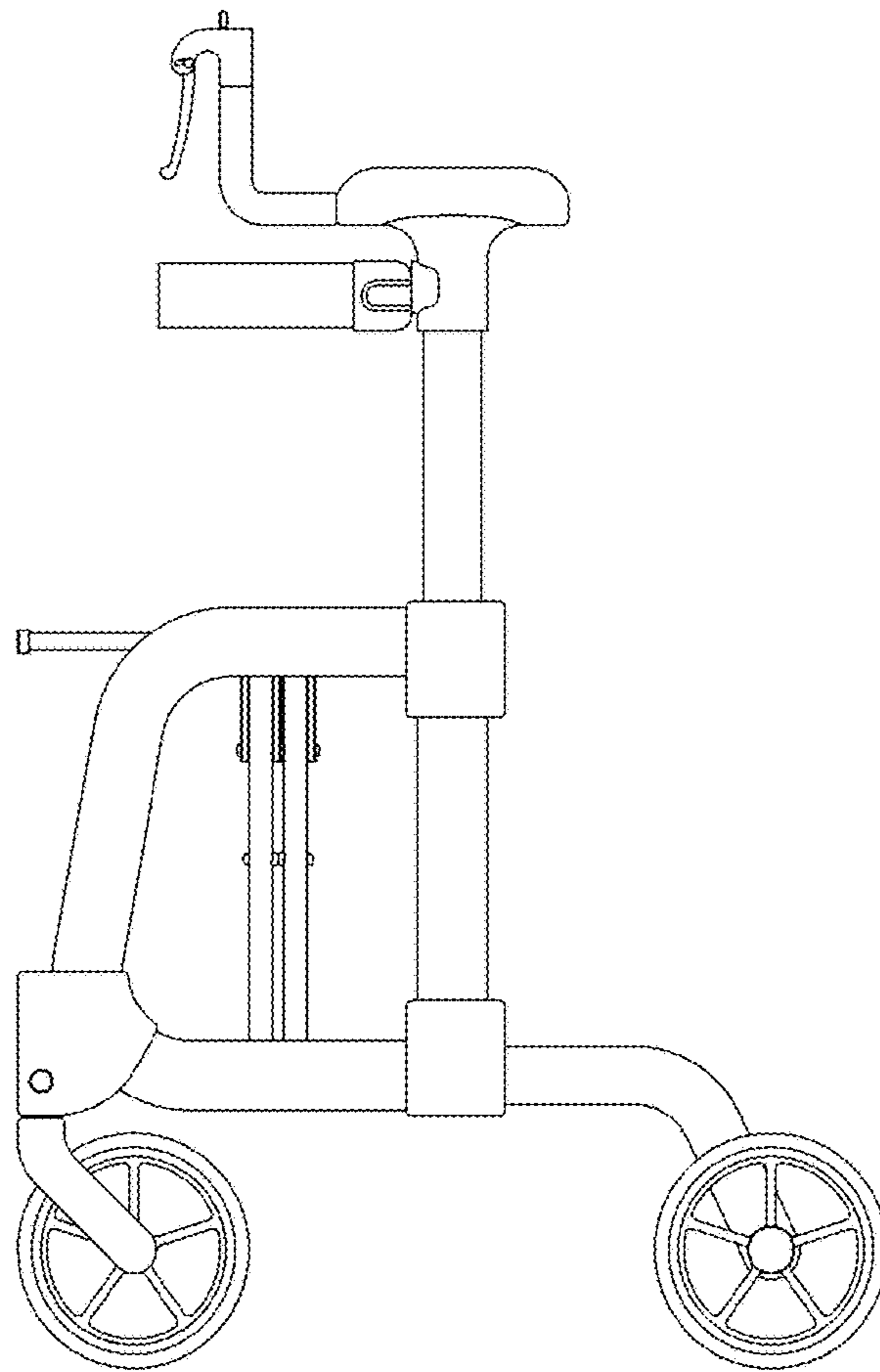


FIG. 4

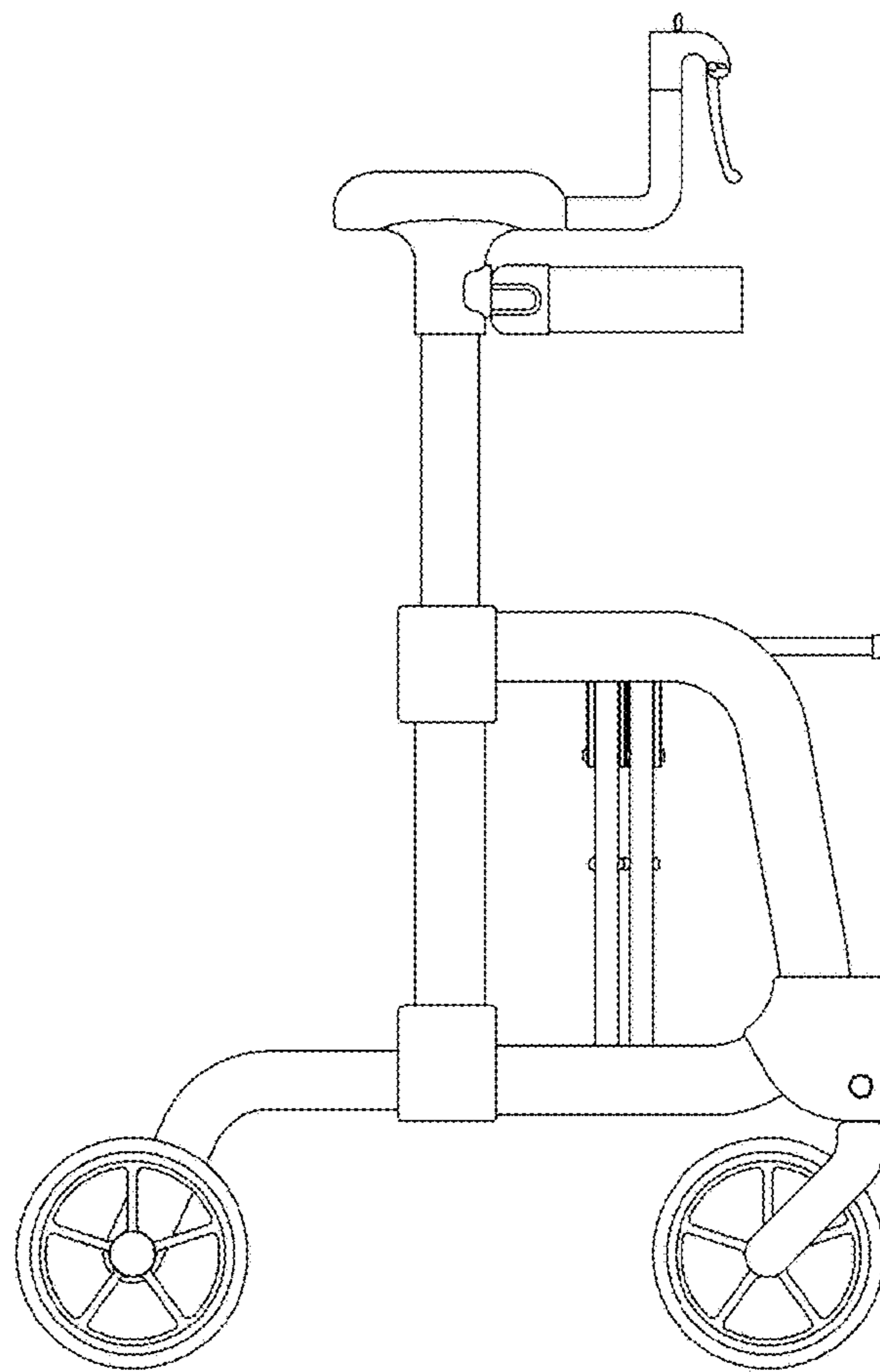


FIG. 5

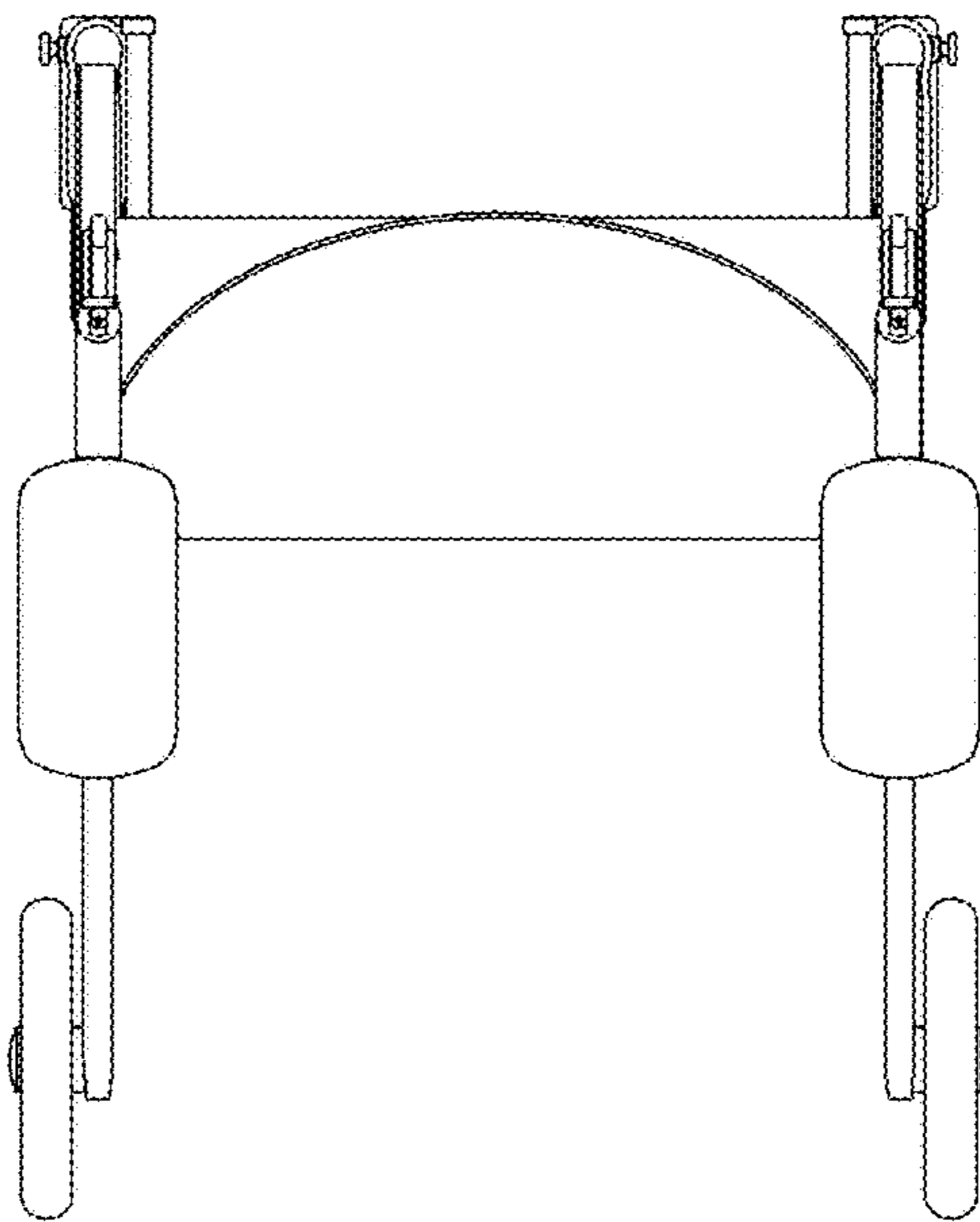


FIG. 6

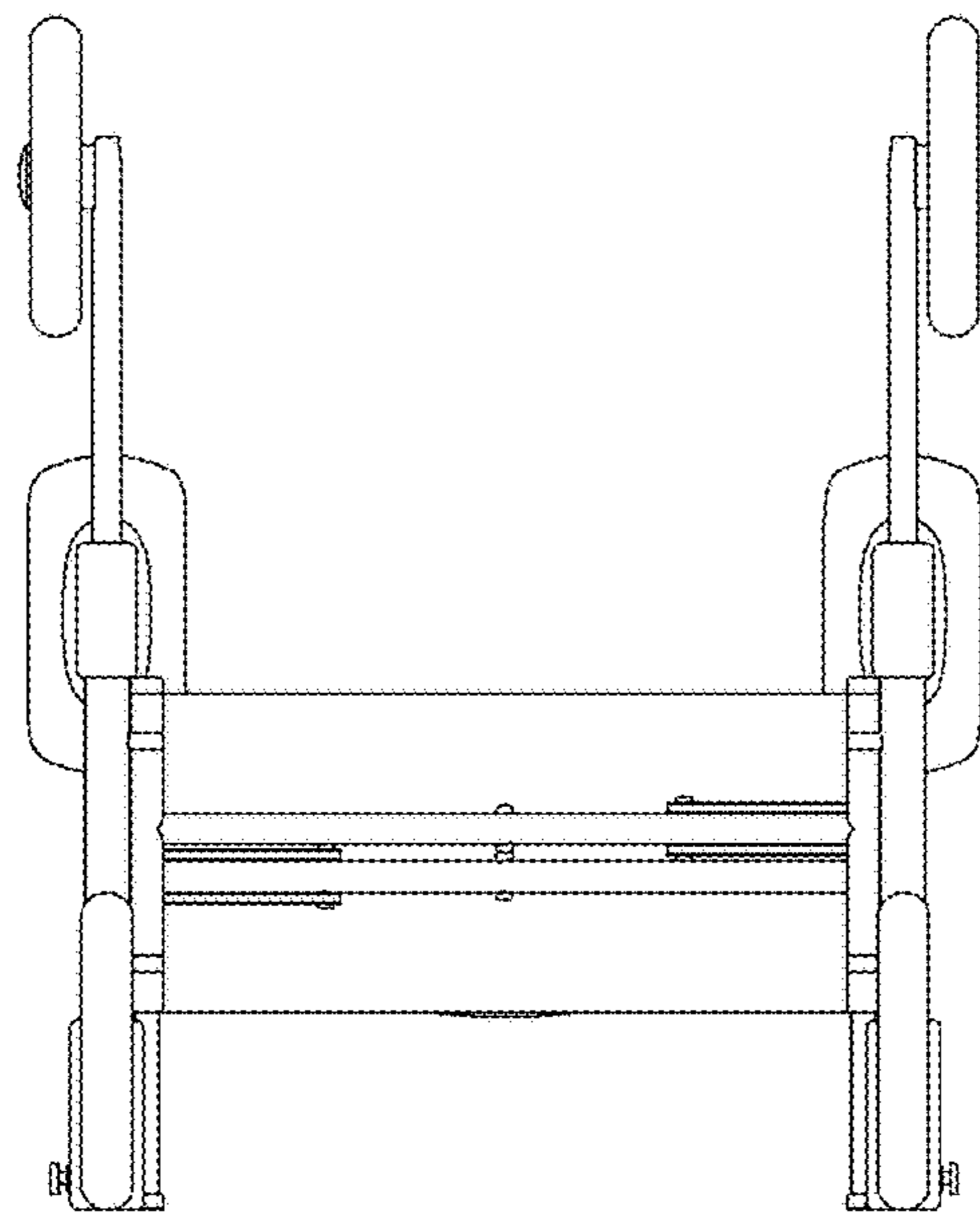


FIG. 7