



US00D845838S

(12) **United States Design Patent**
Heideveld

(10) **Patent No.:** **US D845,838 S**

(45) **Date of Patent:** **** Apr. 16, 2019**

(54) **BICYCLE STEM**

(71) Applicant: **TREK BICYCLE CORPORATION**,
Waterloo, WI (US)

(72) Inventor: **Roy Heideveld**, Deventer (NL)

(73) Assignee: **Trek Bicycle Corporation**, Waterloo,
WI (US)

(**) Term: **15 Years**

(21) Appl. No.: **29/598,737**

(22) Filed: **Mar. 28, 2017**

(51) **LOC (11) Cl.** **12-11**

(52) **U.S. Cl.**
USPC **D12/118**

(58) **Field of Classification Search**
USPC D12/111, 117, 118, 178
CPC B62K 19/40; B62K 21/12; B62K 21/18;
B62J 11/00

See application file for complete search history.

(56) **References Cited**

U.S. PATENT DOCUMENTS

D307,405 S *	4/1990	Kiyota	D12/118
D313,206 S *	12/1990	Ringle	D12/118
5,241,881 A *	9/1993	Chen	B62K 21/14 280/276
D341,801 S *	11/1993	McCormack	D12/118
D342,050 S *	12/1993	Tore Gustafsson	280/279
D351,574 S *	10/1994	Chang	D12/118
D354,259 S *	1/1995	Kurke	D12/118
D356,759 S *	3/1995	Pawsat	D12/118
5,404,769 A *	4/1995	Kao	B62K 21/16 280/279
D362,650 S *	9/1995	Burns	D12/118
D381,296 S *	7/1997	Kurke	D12/118
D416,521 S *	11/1999	Giard	D12/118
6,309,135 B1 *	10/2001	Thomson	B62K 21/12 403/344

D451,847 S *	12/2001	Thomson	D12/118
6,945,135 B1 *	9/2005	Thomson	B62K 21/12 403/344
D512,348 S *	12/2005	McJunkin	D12/118
D515,480 S *	2/2006	McJunkin	D12/178
D515,481 S *	2/2006	McJunkin	D12/178
D515,983 S *	2/2006	McJunkin	D12/118
D516,965 S *	3/2006	McJunkin	D12/118
D527,991 S *	9/2006	Chiang	D12/118
D528,047 S *	9/2006	McJunkin	D12/118
D688,167 S *	8/2013	Klieber	D12/118

(Continued)

Primary Examiner — Darlington Ly

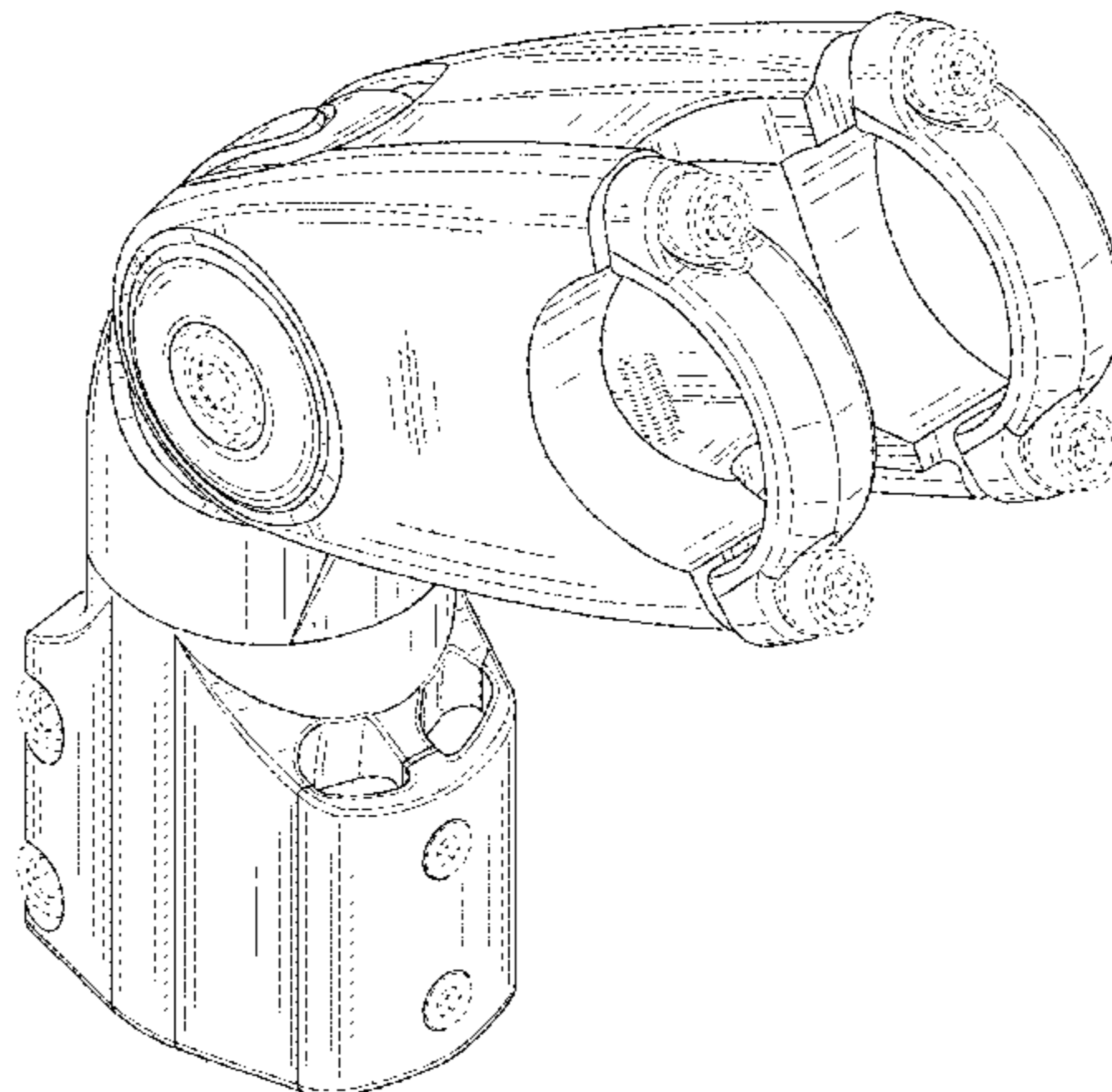
(57) **CLAIM**

The ornamental design for a bicycle stem, as shown and described.

DESCRIPTION

FIG. 1 is a left side elevation view of a bicycle stem showing my new design;
 FIG. 2 is a right side elevation view thereof;
 FIG. 3 is a top plan view thereof;
 FIG. 4 is a bottom plan view thereof;
 FIG. 5 is a rear elevation view thereof;
 FIG. 6 is a front elevation view thereof;
 FIG. 7 is a top, front, and right perspective view thereof;
 FIG. 8 is a top, front, and left perspective view thereof;
 FIG. 9 is a bottom, front, and left perspective view thereof;
 FIG. 10 is a bottom, front, and right perspective view thereof;
 FIG. 11 is a left side elevation view thereof when in use on an exemplary bicycle; and,
 FIG. 12 is a top, front, and left side perspective view thereof when in use on an exemplary bicycle.
 The broken line showing the bolts, fasteners, and environmental parts of a bicycle do not form part of the claimed design.

1 Claim, 10 Drawing Sheets



(56)

References Cited

U.S. PATENT DOCUMENTS

D753,025	S *	4/2016	Chen	D12/118
2005/0248120	A1 *	11/2005	McJunkin	B62K 21/12
					280/279
2009/0079160	A1 *	3/2009	Lai	B62K 21/16
					280/279
2011/0219908	A1 *	9/2011	Wehage	B62K 21/16
					74/551.1
2014/0116195	A1 *	5/2014	Gu	B62K 21/14
					74/551.2
2015/0225035	A1 *	8/2015	Li	B62K 21/12
					74/551.8

* cited by examiner

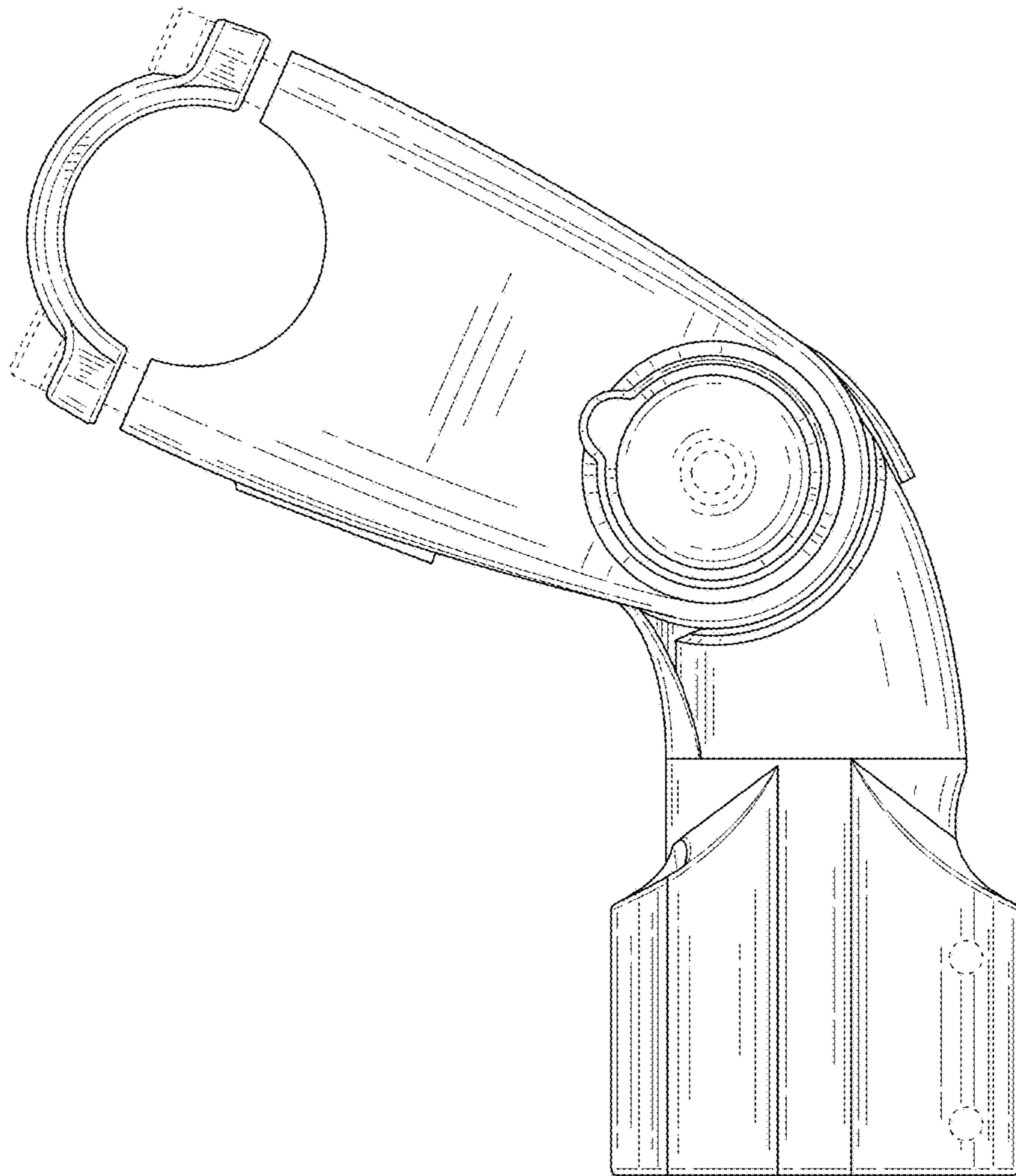


FIG. 1

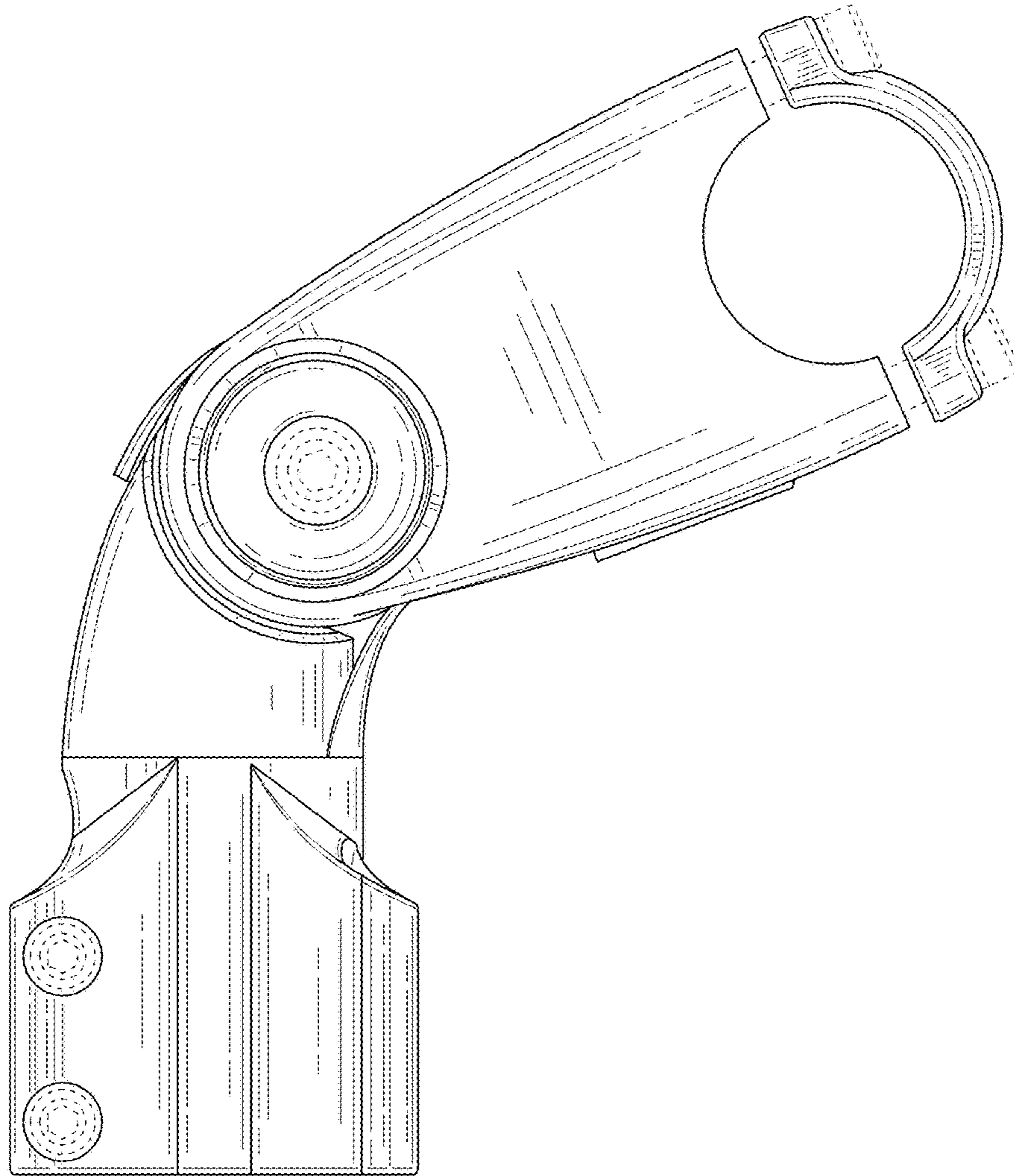


FIG. 2

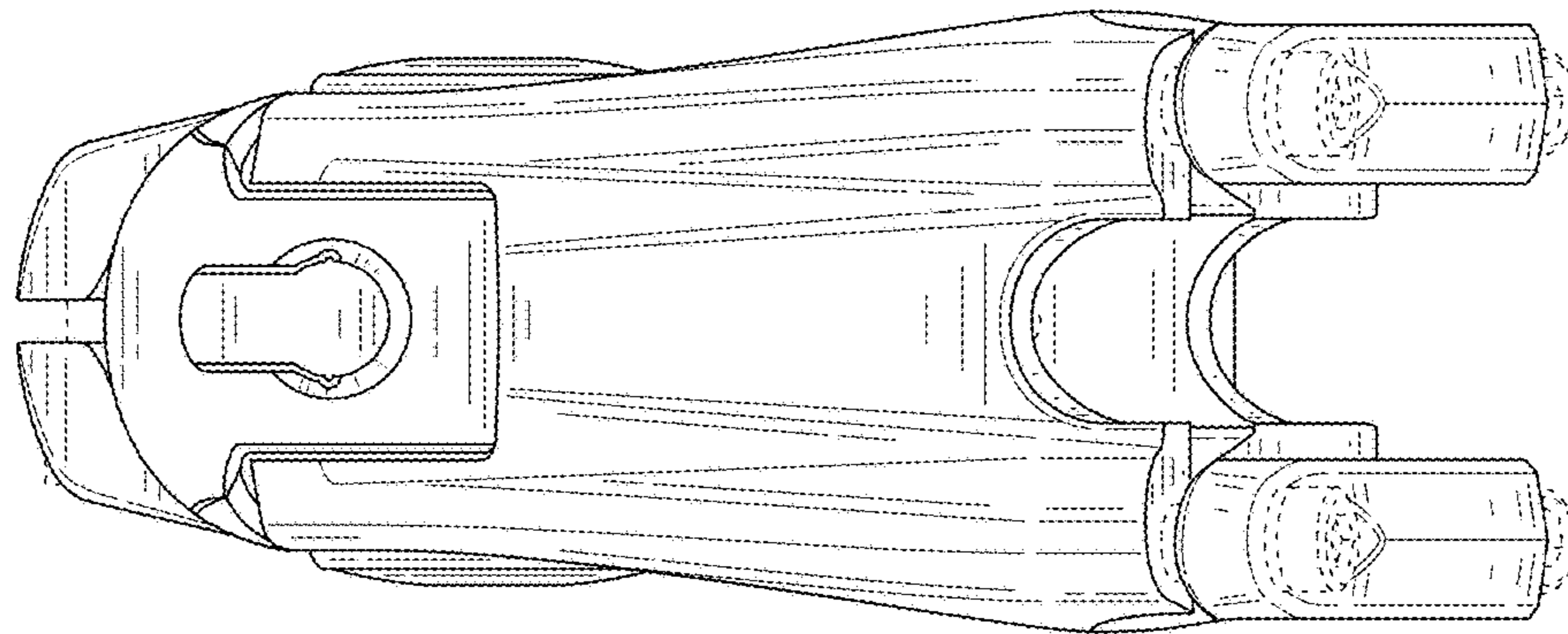


FIG. 3

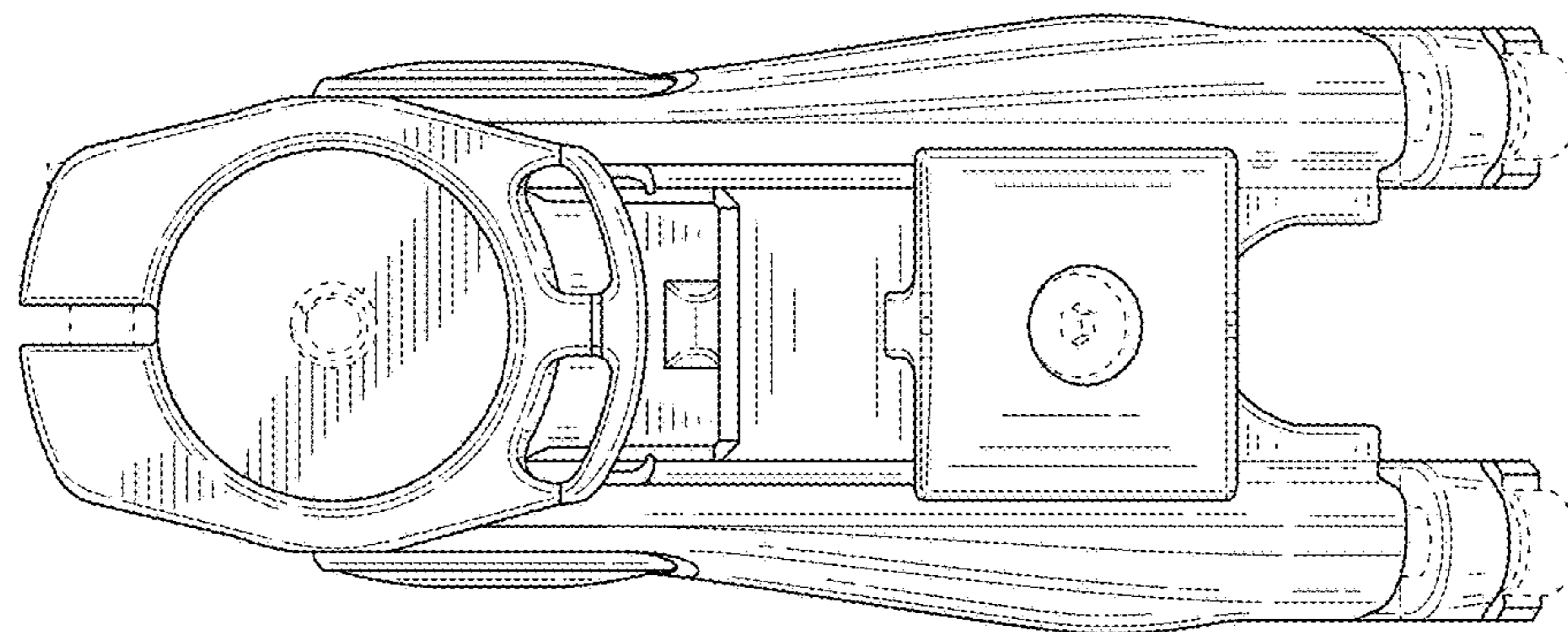


FIG. 4

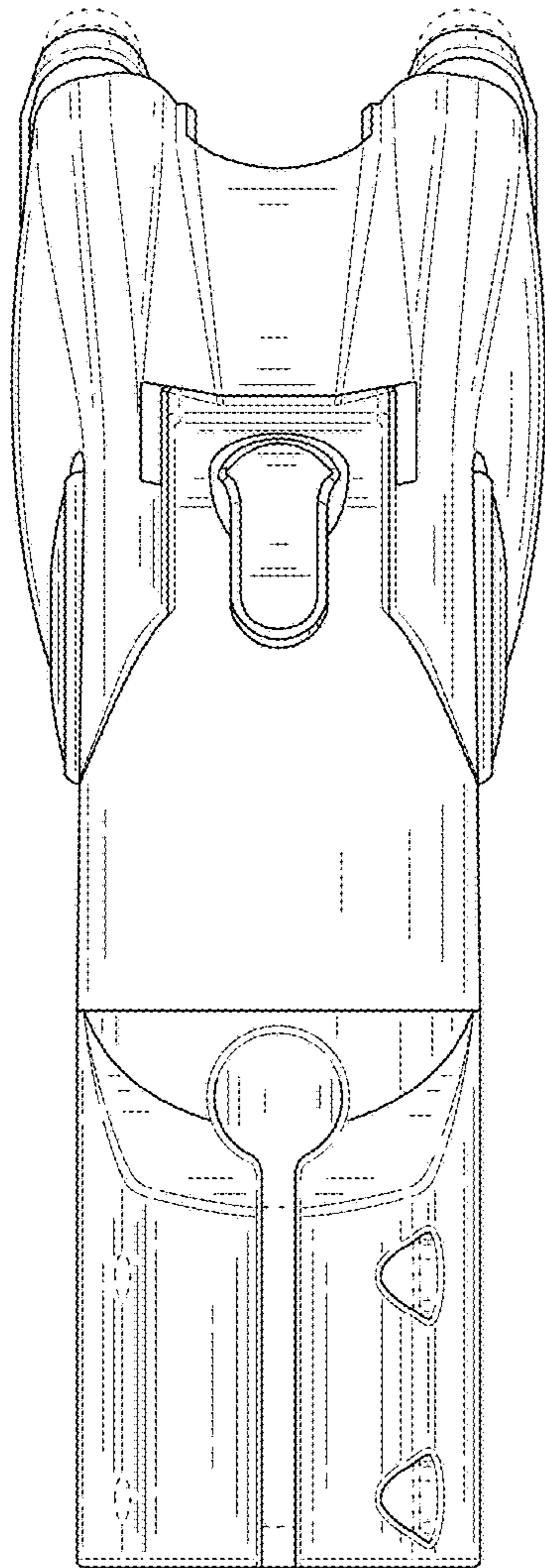


FIG. 5

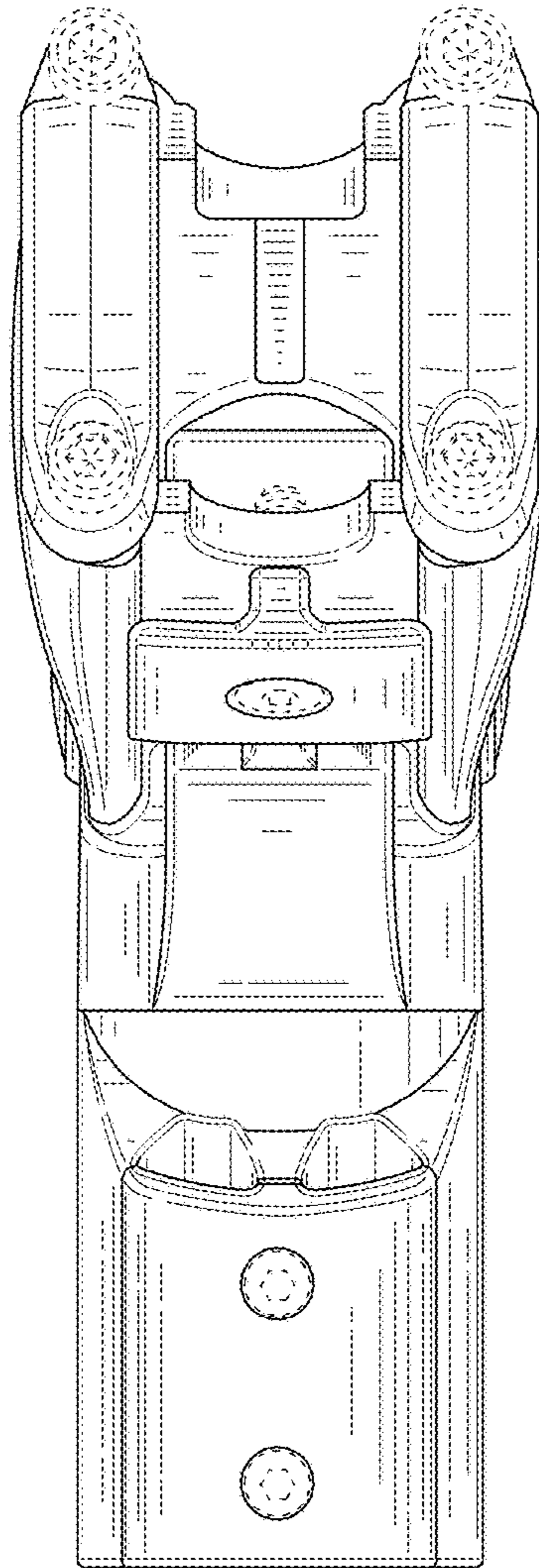


FIG. 6

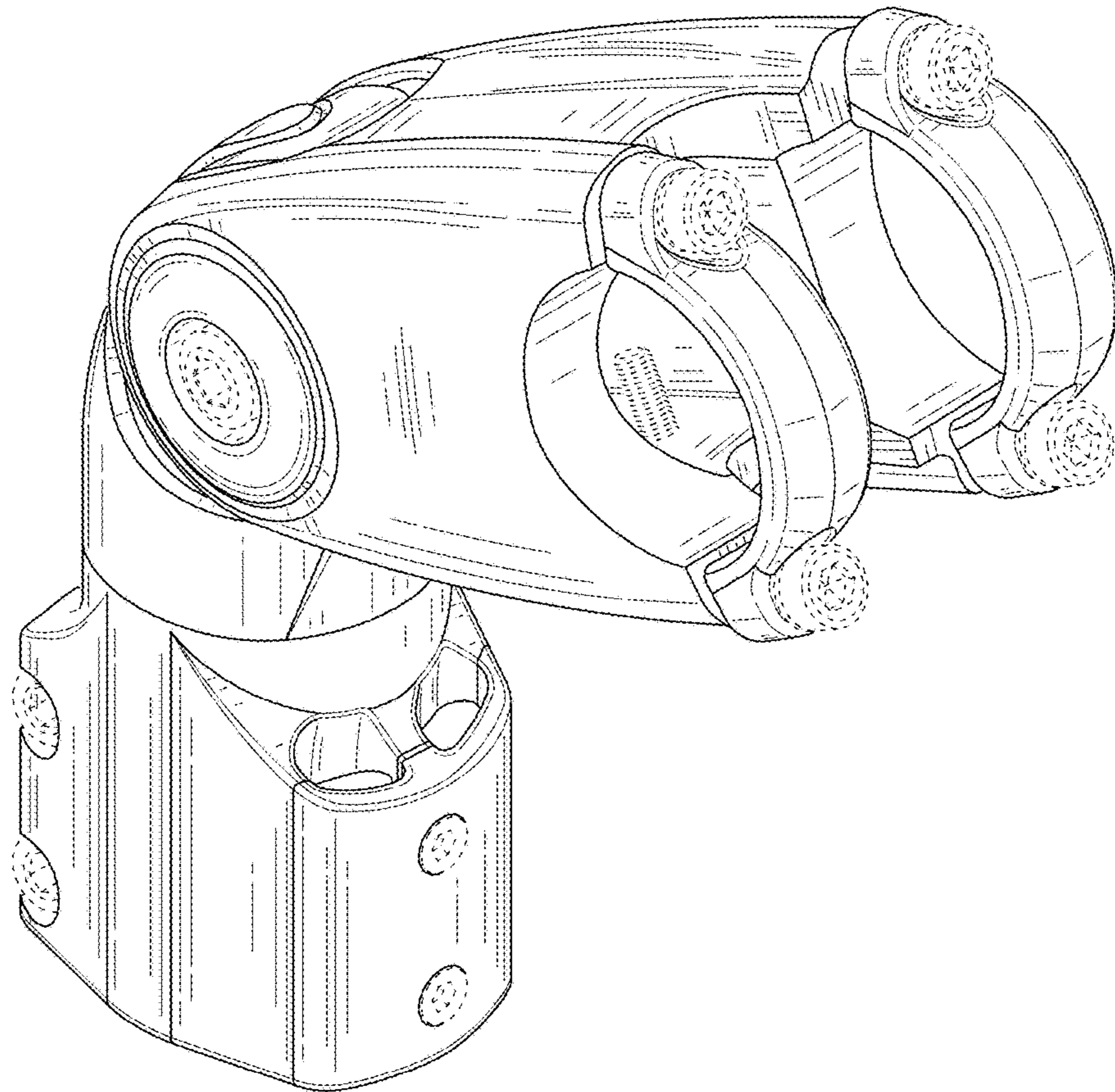


FIG. 7

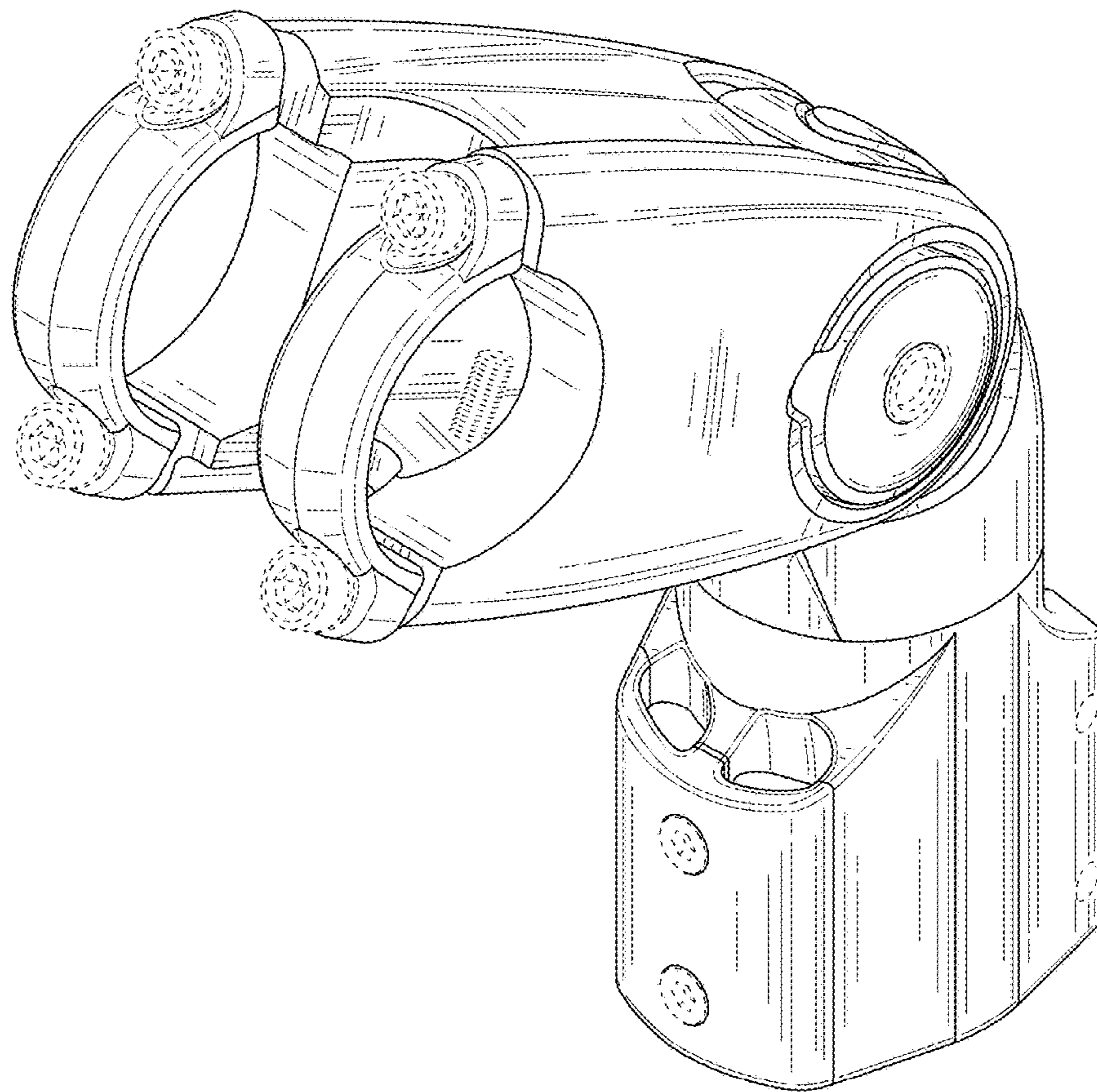


FIG. 8

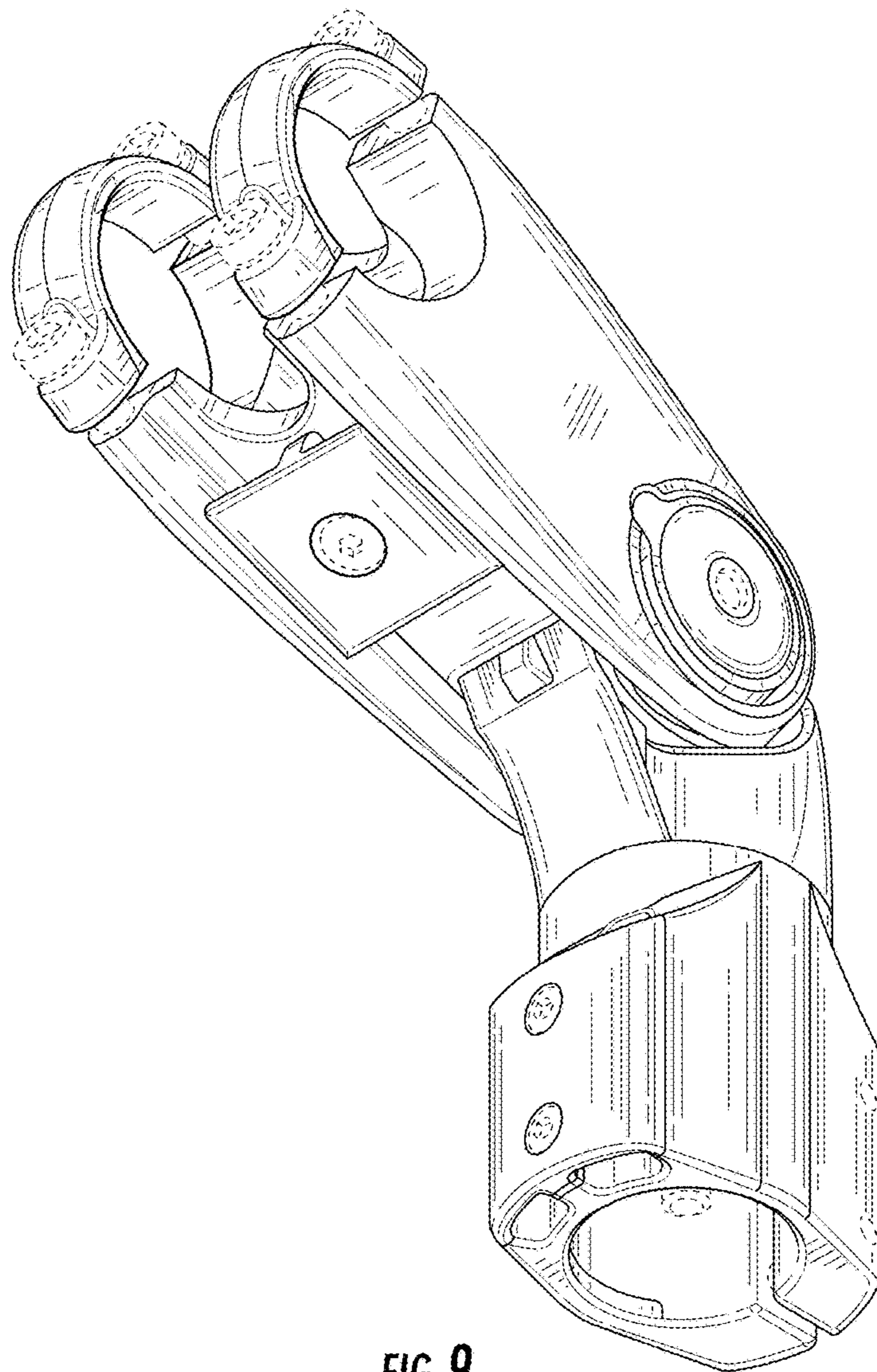


FIG. 9

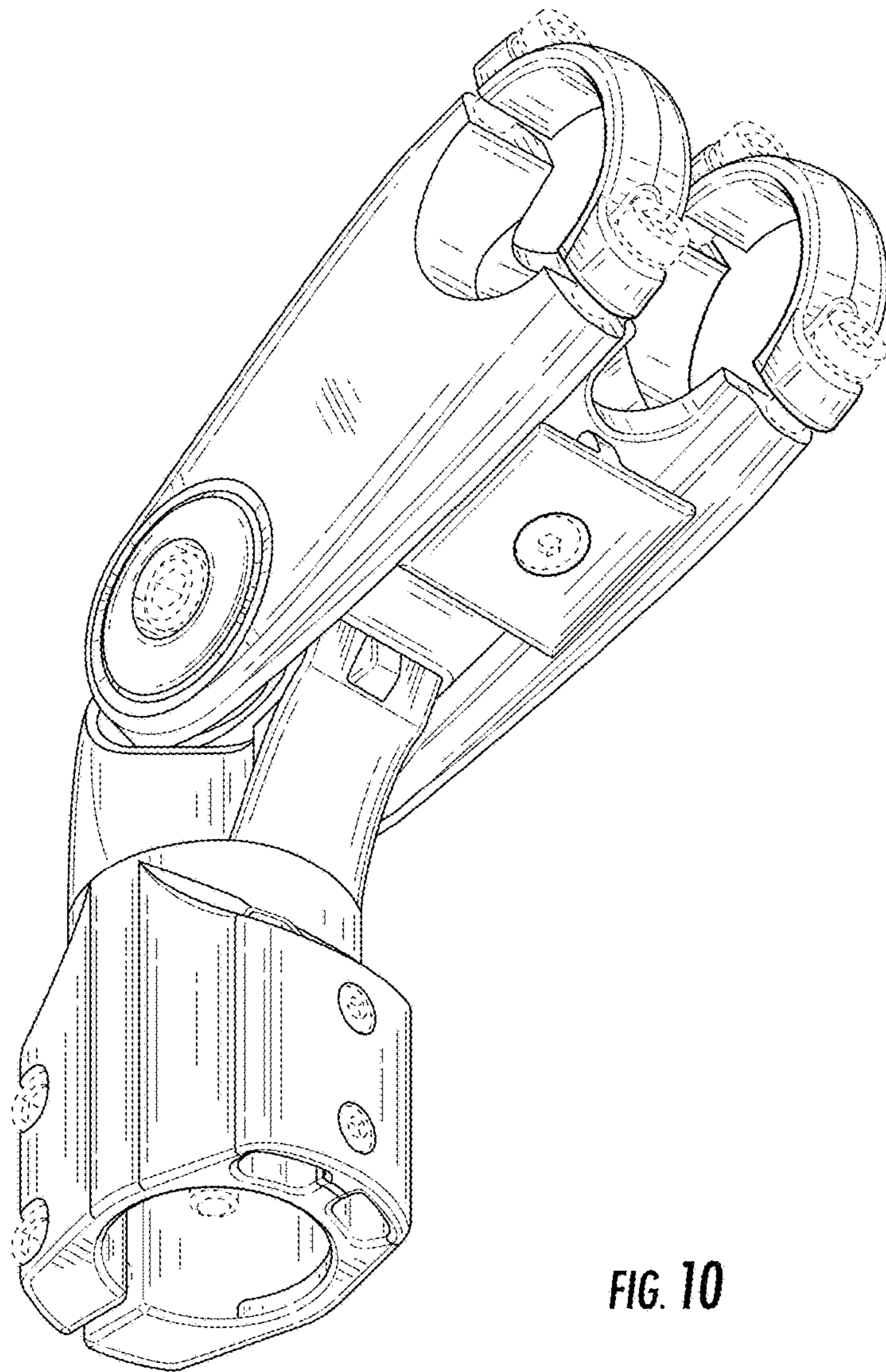


FIG. 10

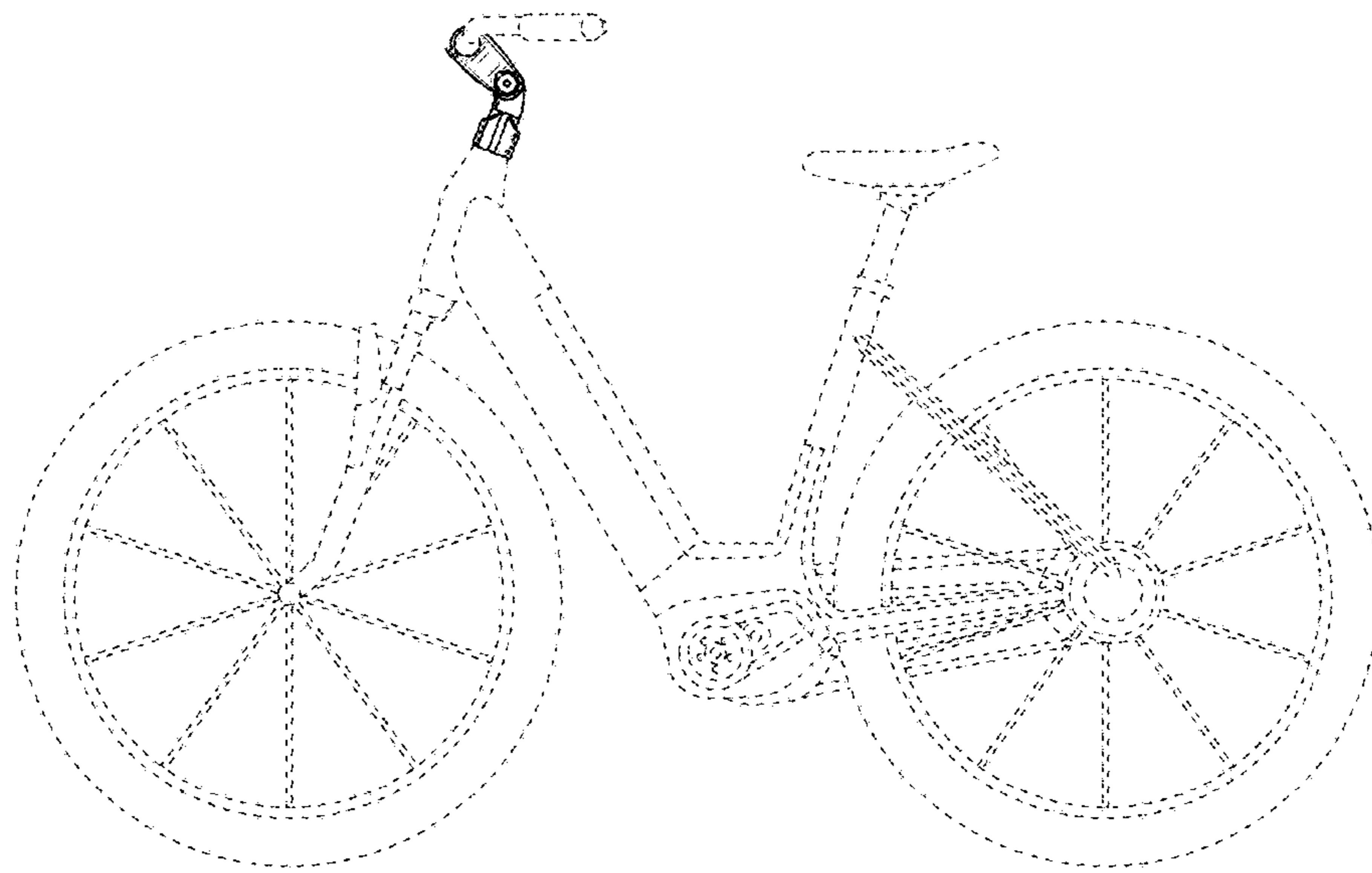


FIG. 11

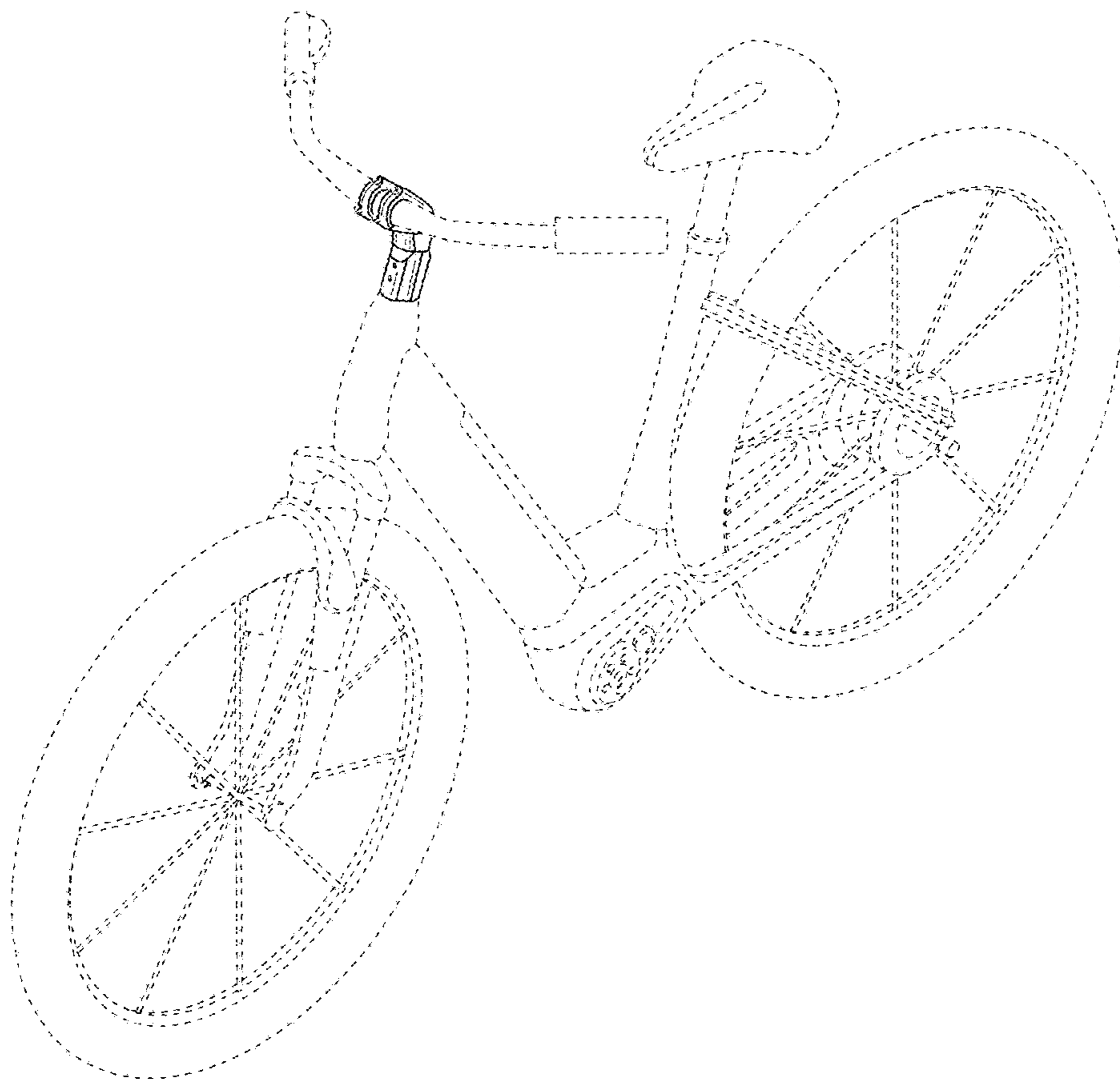


FIG. 12