



US00D845837S

(12) **United States Design Patent**
Jin

(10) **Patent No.:** **US D845,837 S**

(45) **Date of Patent:** **** Apr. 16, 2019**

(54) **FOLDING ELECTRIC TRICYCLE**

(71) Applicant: **RELYNC TECH LTD.**, Shenzhen (CN)

(72) Inventor: **Xin Jin**, Shenzhen (CN)

(73) Assignee: **RELYNC TECH LTD.**, Shenzhen (CN)

(**) Term: **15 Years**

(21) Appl. No.: **29/624,706**

(22) Filed: **Nov. 3, 2017**

(51) **LOC (11) Cl.** **12-11**

(52) **U.S. Cl.**
USPC **D12/112; D12/111; D21/662**

(58) **Field of Classification Search**
USPC D12/1, 107, 110-114, 129, 130, 133;
D21/412, 414, 419, 423-428, 431-435,
D21/662
CPC . B62K 3/005; B62K 5/06; B62K 9/02; B62K
15/006; B62K 15/008; B62K 19/02;
B62M 1/32; B62M 1/38
See application file for complete search history.

(56) **References Cited**

U.S. PATENT DOCUMENTS

D338,433 S *	8/1993	Crooks, Sr.	D12/112
D466,839 S *	12/2002	Ou	D12/110
6,588,787 B2 *	7/2003	Ou	B62K 11/10 180/220
D483,821 S *	12/2003	Yang	D12/112
D503,362 S *	3/2005	Zhu	D12/111
6,986,522 B2 *	1/2006	Sinclair	B62K 15/006 280/278
D586,265 S *	2/2009	Lin	D12/111

(Continued)

Primary Examiner — Darlington Ly

(74) *Attorney, Agent, or Firm* — Gokalp Bayramoglu

(57) **CLAIM**

The ornamental design for a folding electric tricycle, as shown and described.

DESCRIPTION

The file of this patent contains at least one photograph executed in color. Copies of this patent with color photographs will be provided by the Office upon request and payment of the necessary fee.

FIG. 1 is a front elevation view of a folding electric tricycle showing my new design;

FIG. 2 is a rear elevation view thereof;

FIG. 3 is a right side elevation view thereof;

FIG. 4 is a left side elevation view thereof;

FIG. 5 is a top plan view thereof;

FIG. 6 is a bottom plan view thereof;

FIG. 7 is a top, front, and right side perspective view thereof;

FIG. 8 is a top, front, and left side perspective view thereof;

FIG. 9 is a top, rear, and right side perspective view thereof;

FIG. 10 is a top, rear, and left side perspective view thereof;

FIG. 11 is a rear and left side perspective view thereof;

FIG. 12 is a front elevation view thereof when folded;

FIG. 13 is a rear elevation view thereof when folded;

FIG. 14 is a left side elevation view thereof when folded;

FIG. 15 is a right side elevation view thereof when folded;

FIG. 16 is a top plan view thereof when folded;

FIG. 17 is a bottom plan view thereof when folded;

FIG. 18 is a right side perspective view thereof when folded;

FIG. 19 is an enlarged and partial top perspective view thereof; and,

FIG. 20 is an enlarged and partial top, rear, and left side perspective view thereof.

1 Claim, 20 Drawing Sheets
(20 of 20 Drawing Sheet(s) Filed in Color)



(56)

References Cited

U.S. PATENT DOCUMENTS

D650,724	S *	12/2011	Chiang	D12/111
D726,592	S *	4/2015	Zhang	D12/107
D735,812	S *	8/2015	Delgatty	D21/423
D735,813	S *	8/2015	Delgatty	D21/423
D746,924	S *	1/2016	Delgatty	D21/423
D750,711	S *	3/2016	Delgatty	D21/423
D774,969	S *	12/2016	Angelov	D12/111
D774,979	S *	12/2016	Delgatty	D12/111
D777,606	S *	1/2017	Dai	D12/111
D780,637	S *	3/2017	Shao	D12/111
9,694,868	B2 *	7/2017	Delgatty	B62K 5/06
D804,364	S *	12/2017	Xianqiang	D12/111
9,873,476	B2 *	1/2018	Etzelsberger	B62K 15/006
2005/0035570	A1 *	2/2005	Chu	B62K 15/006
					280/278
2012/0043148	A1 *	2/2012	Brady	B60L 3/0069
					180/206.5
2015/0068828	A1 *	3/2015	Delgatty	B62K 5/06
					180/210

* cited by examiner



Figure 1

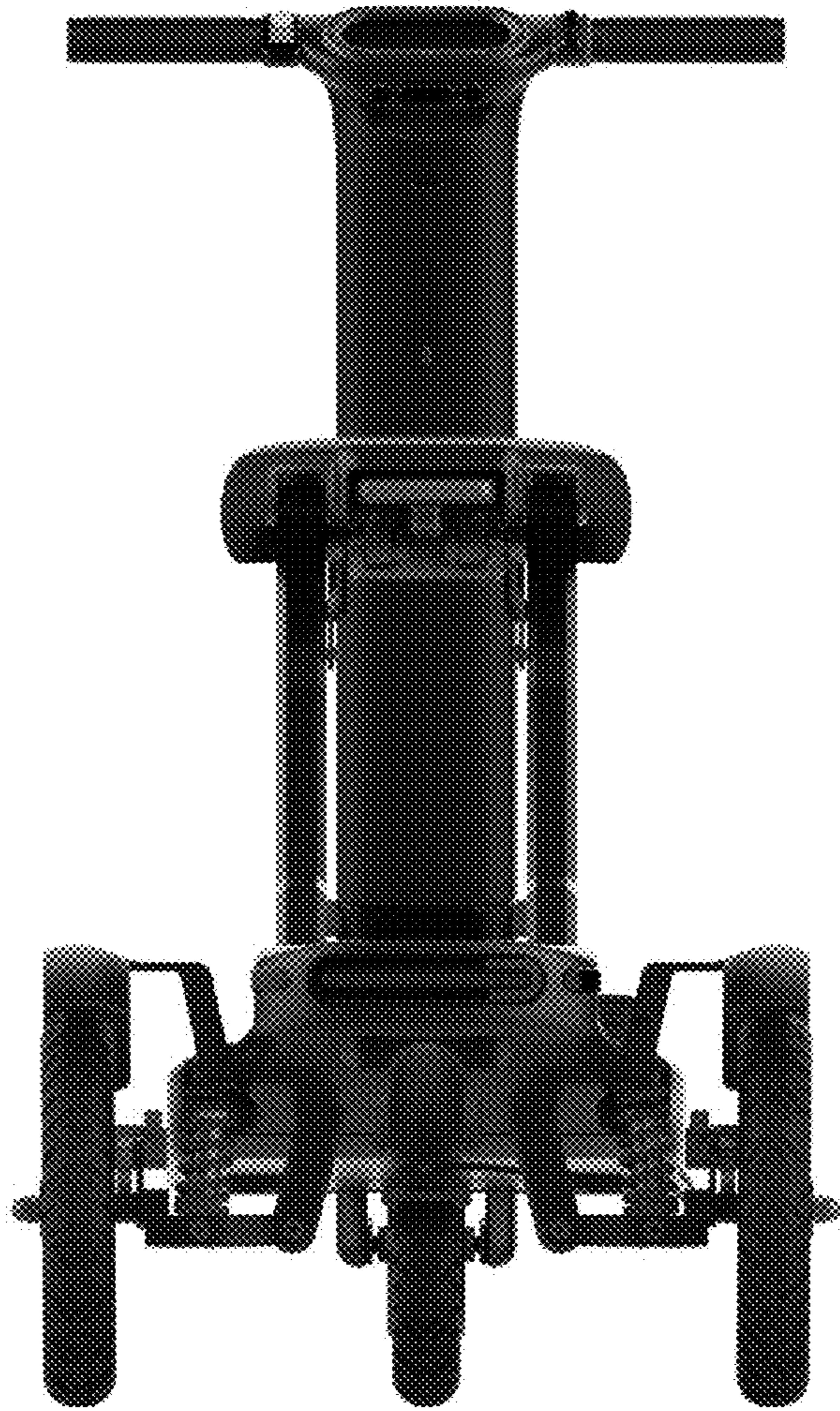


Figure 2



Figure 3



Figure 4

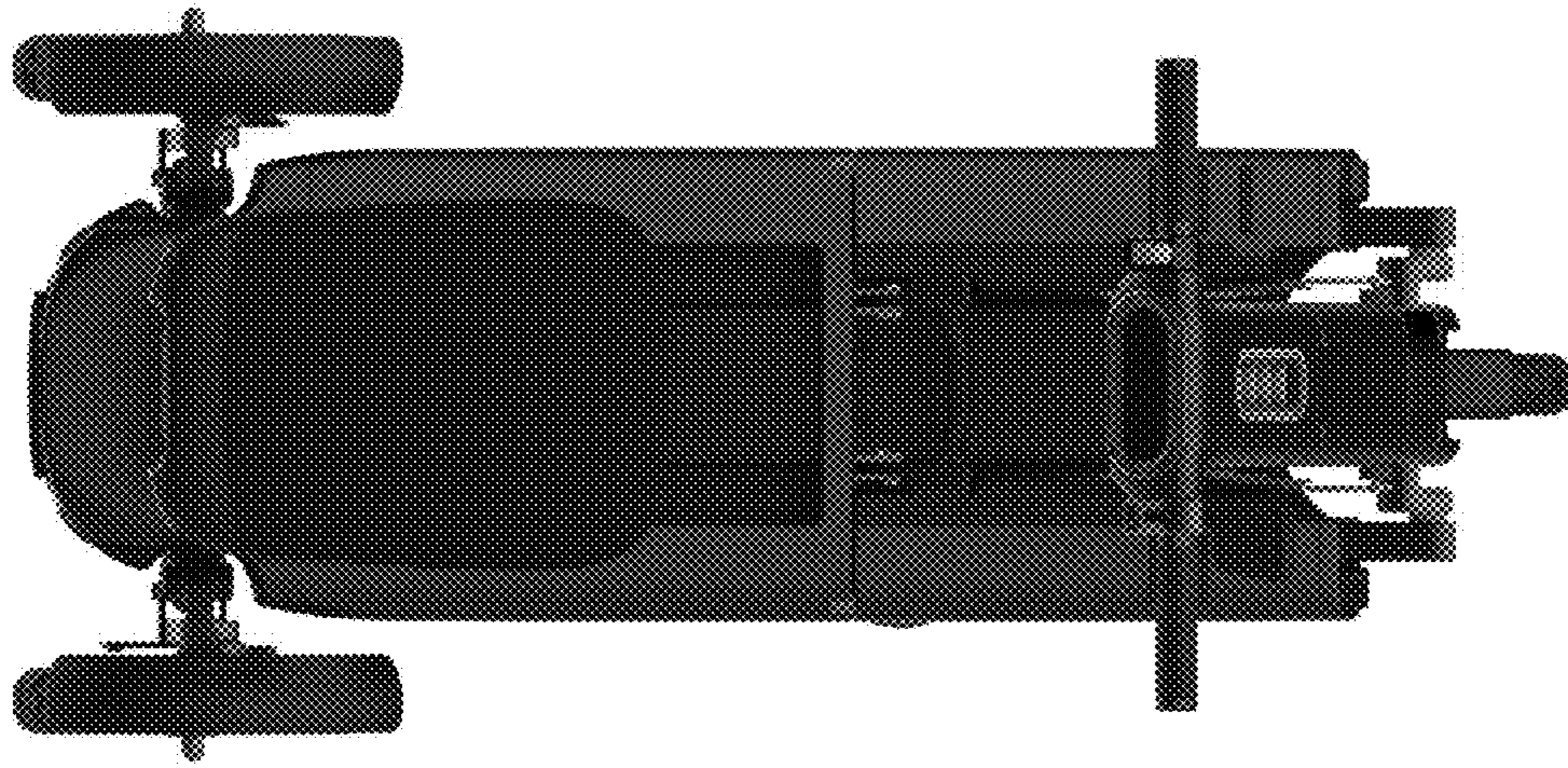


Figure 5

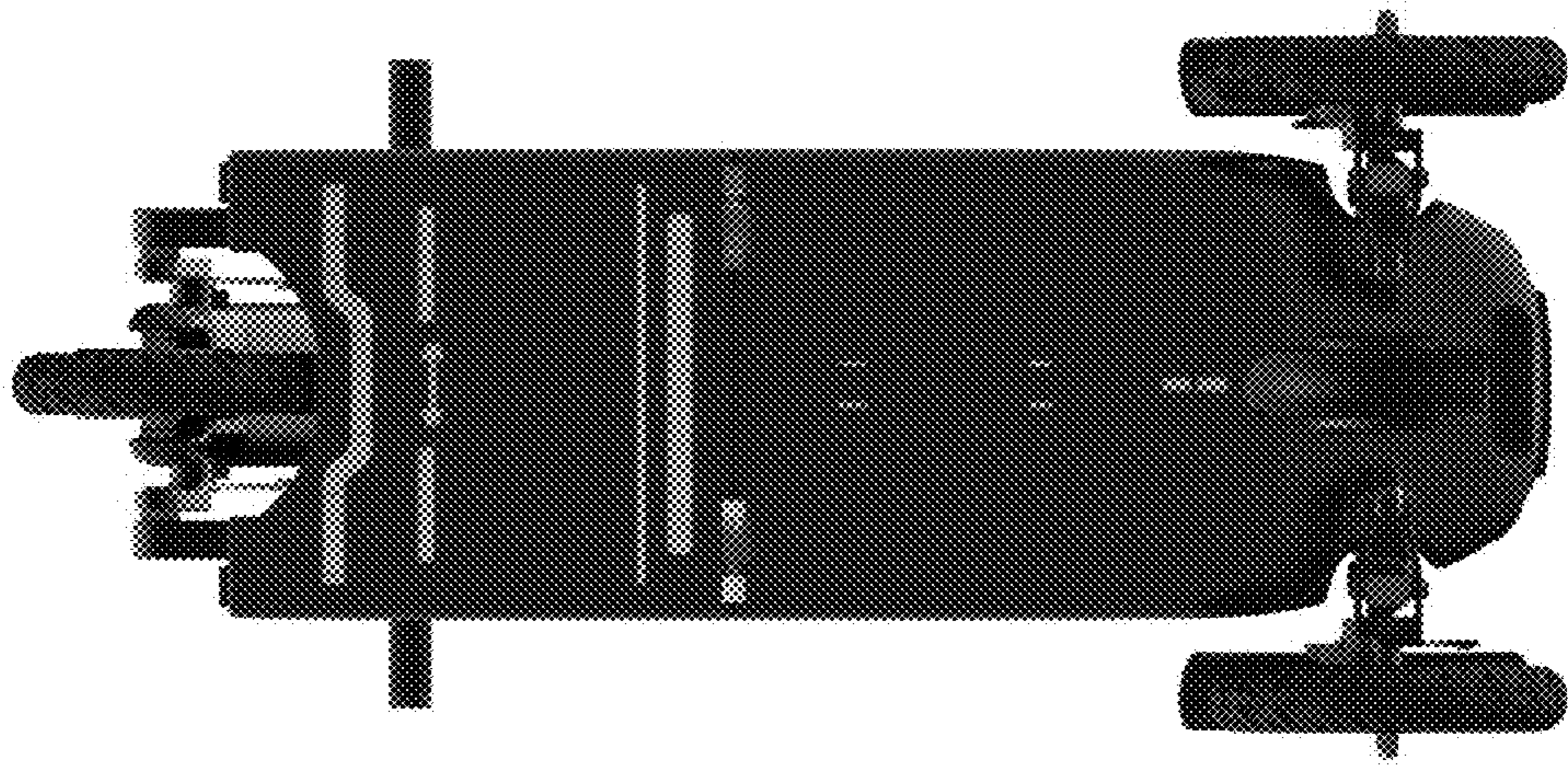


Figure 6



Figure 7



Figure 8



Figure 9



Figure 10



Figure 11

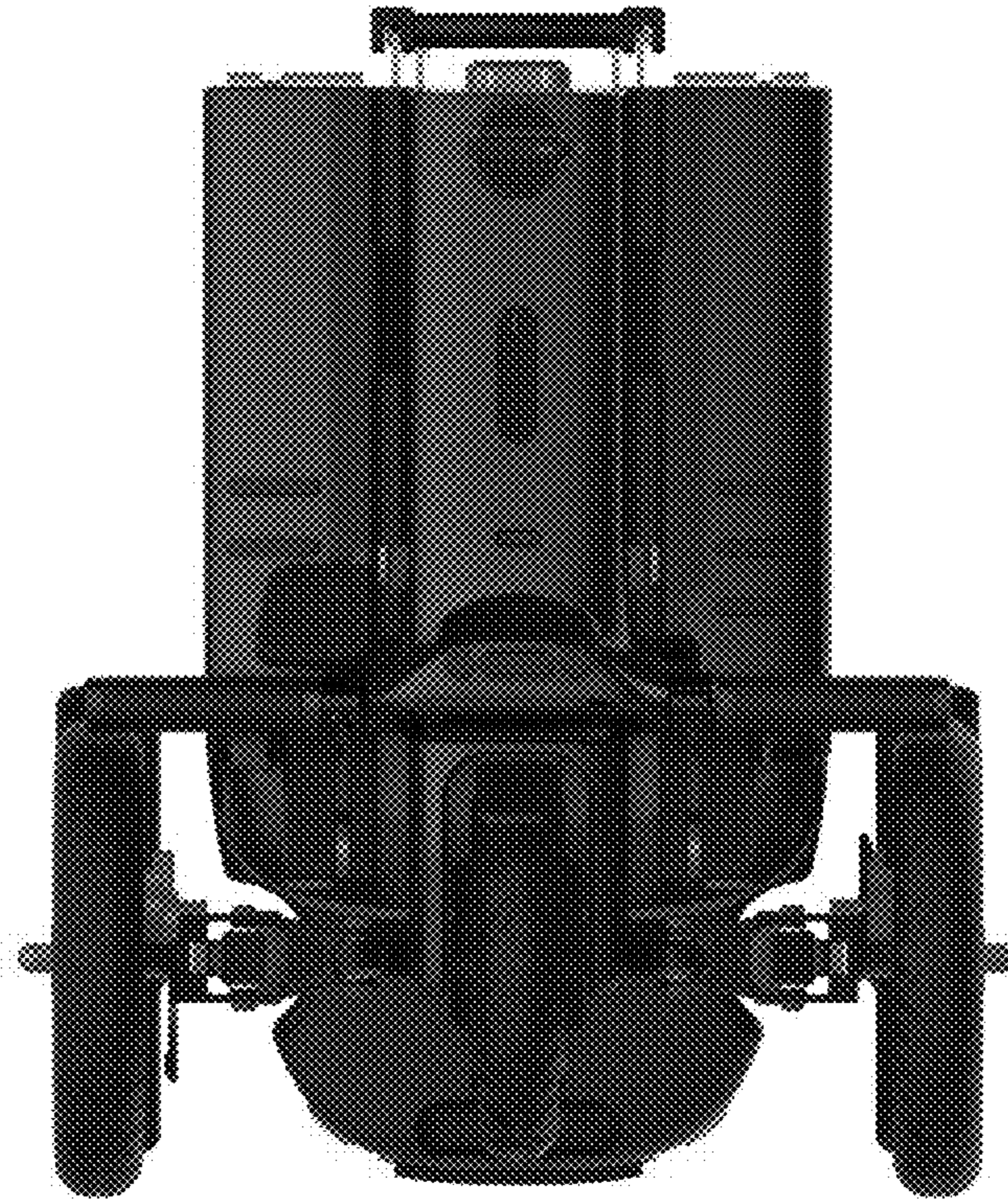


Figure 12



Figure 13



Figure 14



Figure 15

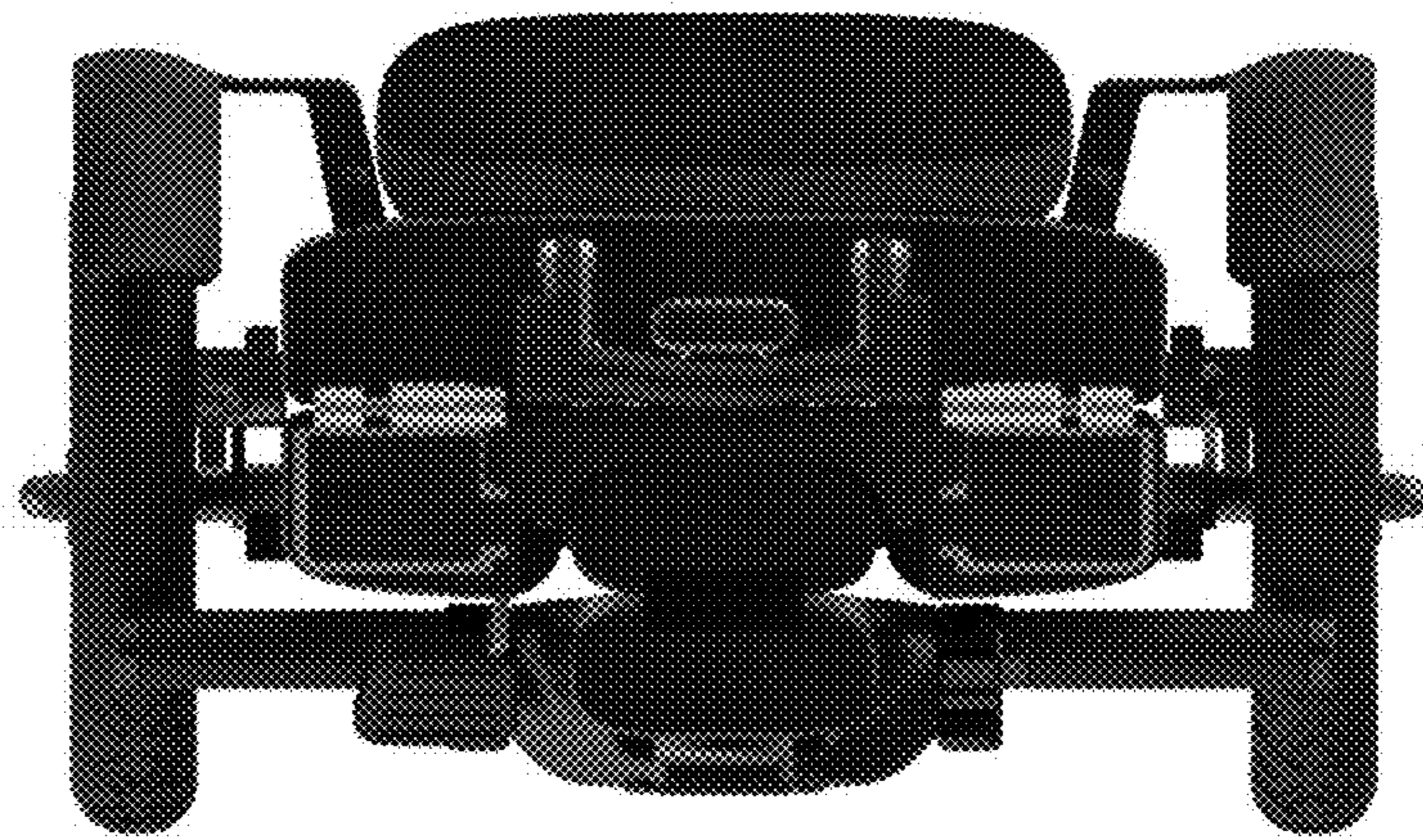


Figure 16

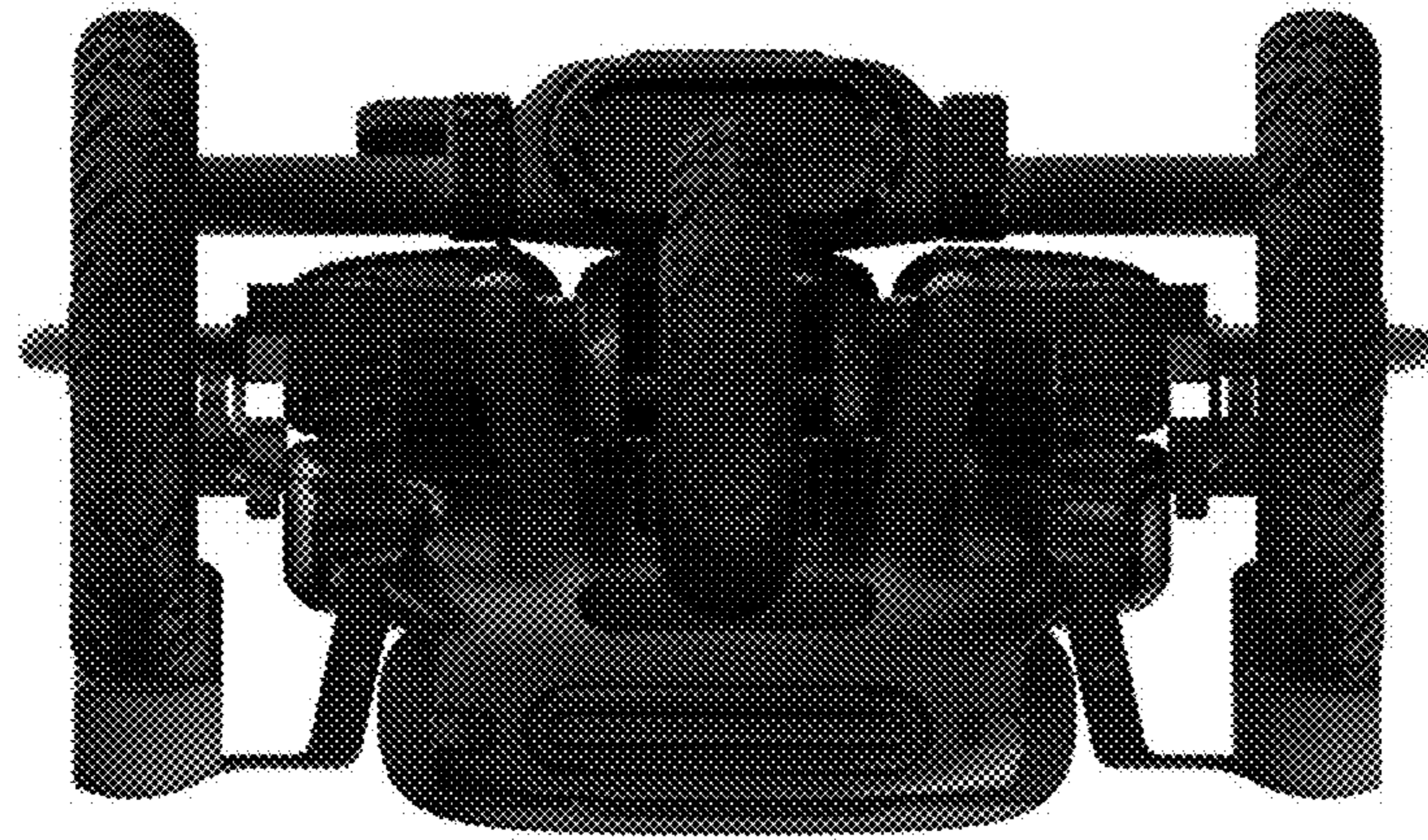


Figure 17



Figure 18

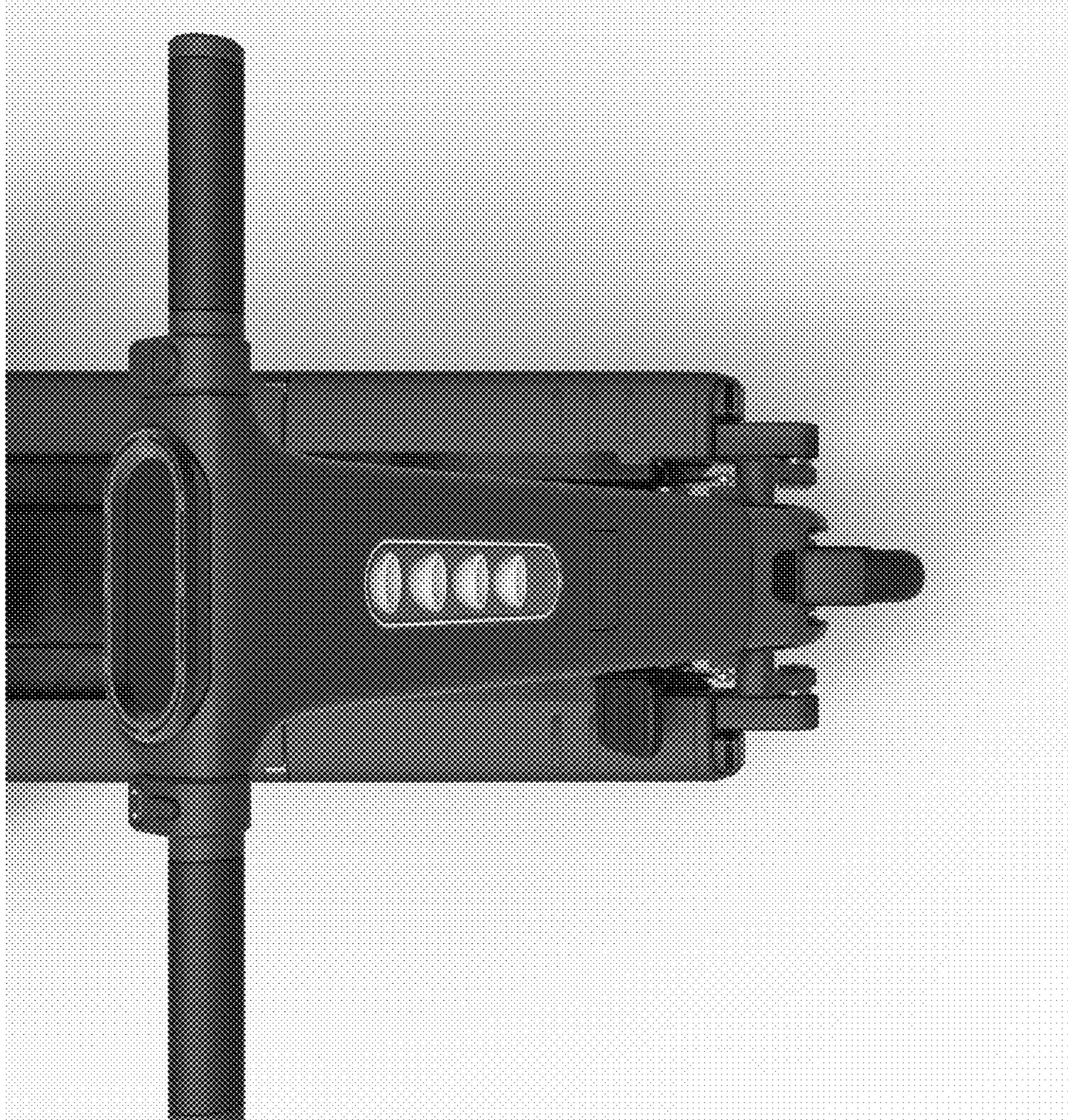


Figure 19



Figure 20