



US00D845836S

(12) **United States Design Patent**
Maiorana

(10) **Patent No.:** **US D845,836 S**

(45) **Date of Patent:** **** Apr. 16, 2019**

- (54) **UPPER END OF A TANK TRAILER**
- (71) Applicant: **MAC LTT, INC.**, Kent, OH (US)
- (72) Inventor: **James A. Maiorana**, Hartville, OH (US)
- (73) Assignee: **MAC LTT, INC.**, Kent, OH (US)
- (**) Term: **15 Years**
- (21) Appl. No.: **29/558,416**
- (22) Filed: **Mar. 17, 2016**
- (51) **LOC (11) Cl.** **12-08**
- (52) **U.S. Cl.**
USPC **D12/95**
- (58) **Field of Classification Search**
USPC D12/19, 95, 97, 100–106, 111–112, 129,
D12/218; D21/425, 435; D34/12, 16–19,
D34/21–26
CPC B62D 35/02; B62D 35/00; B60P 3/1033;
B60P 3/10; A62B 3/005
See application file for complete search history.

- 5,326,156 A * 7/1994 Heider B60P 1/56
280/789
- D483,697 S * 12/2003 Hicks D12/102
- D626,035 S * 10/2010 Yumru D12/102
- D658,548 S * 5/2012 Silva e Costa D12/95
- D668,582 S * 10/2012 Doron D12/102
- D695,152 S * 12/2013 Duggleby D12/101
- 8,632,099 B2 * 1/2014 Conny B60R 3/005
182/113
- 8,684,448 B2 * 4/2014 Johnson B62D 35/00
296/180.1
- D756,267 S * 5/2016 Kibler D12/102

* cited by examiner

Primary Examiner — Darlington Ly

(74) *Attorney, Agent, or Firm* — Sand, Sebolt & Wernow Co., LPA

(57) **CLAIM**

The ornamental design for an upper end of a tank trailer, as shown and described.

DESCRIPTION

FIG. 1 is a side elevational view of an upper end of a tank trailer in accordance with an aspect of my design; FIG. 2 is a rear elevational view thereof; and, FIG. 3 is an enlargement of the highlighted region of FIG. 1.

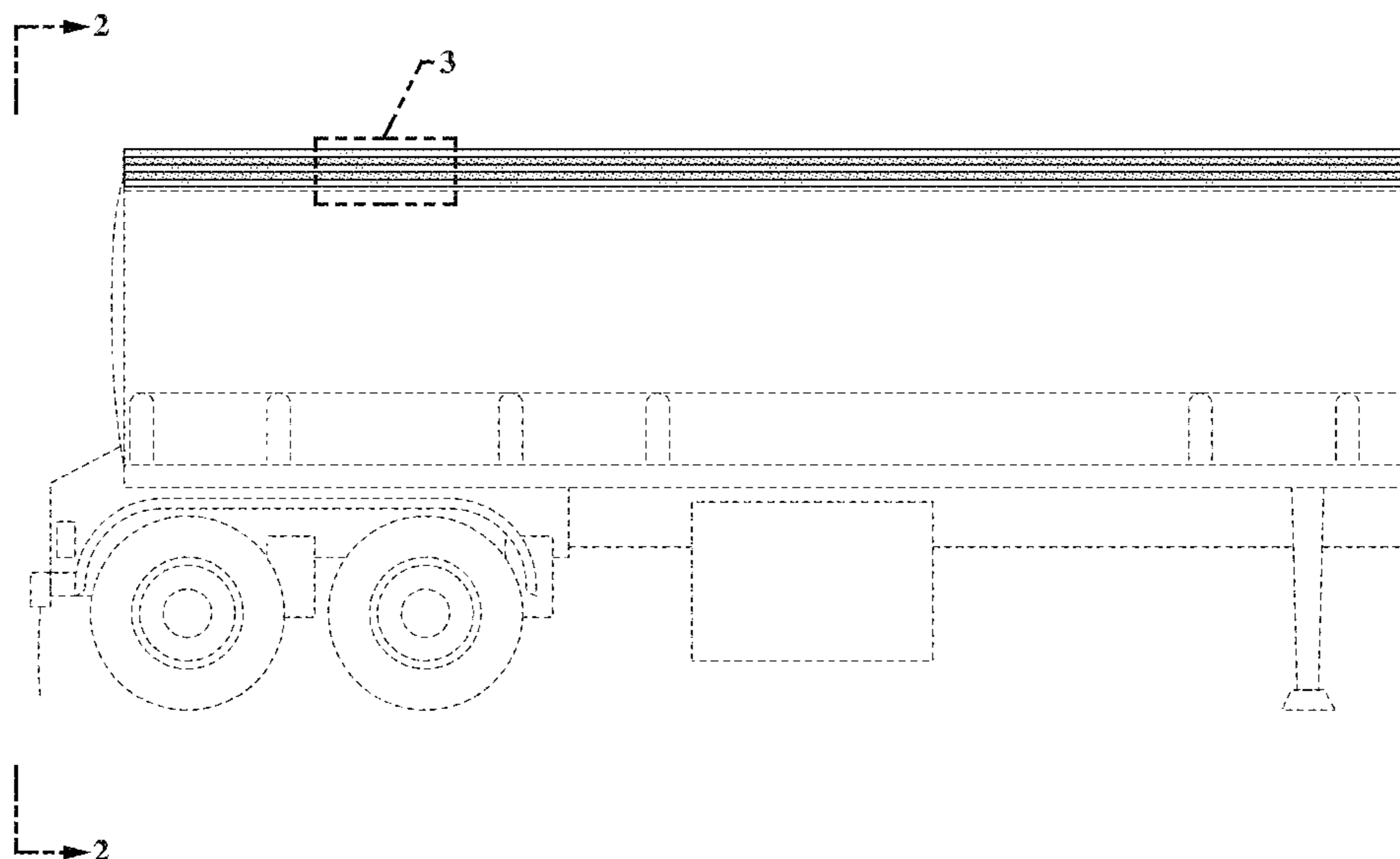
The broken lines illustrate portions of the environment in which the upper end of the tank trailer is used which form no part of the claimed design.

The dot-dot-dash lines show the boundary of the highlighted region of FIG. 1 and form no part of the claimed design.

1 Claim, 2 Drawing Sheets

(56) **References Cited**
U.S. PATENT DOCUMENTS

- D160,728 S * 10/1950 Mullen et al. 280/837
- D177,772 S * 5/1956 Stevens 280/837
- D193,294 S * 7/1962 Mendez D12/95
- D196,427 S * 10/1963 Anderson et al. D12/95
- D211,163 S * 5/1968 Mendez D12/95
- 3,503,341 A * 3/1970 Widell B61D 39/001
105/377.11
- 3,744,839 A * 7/1973 Stoneburner B60J 5/0498
105/377.05
- D245,243 S * 8/1977 Kerr D12/95



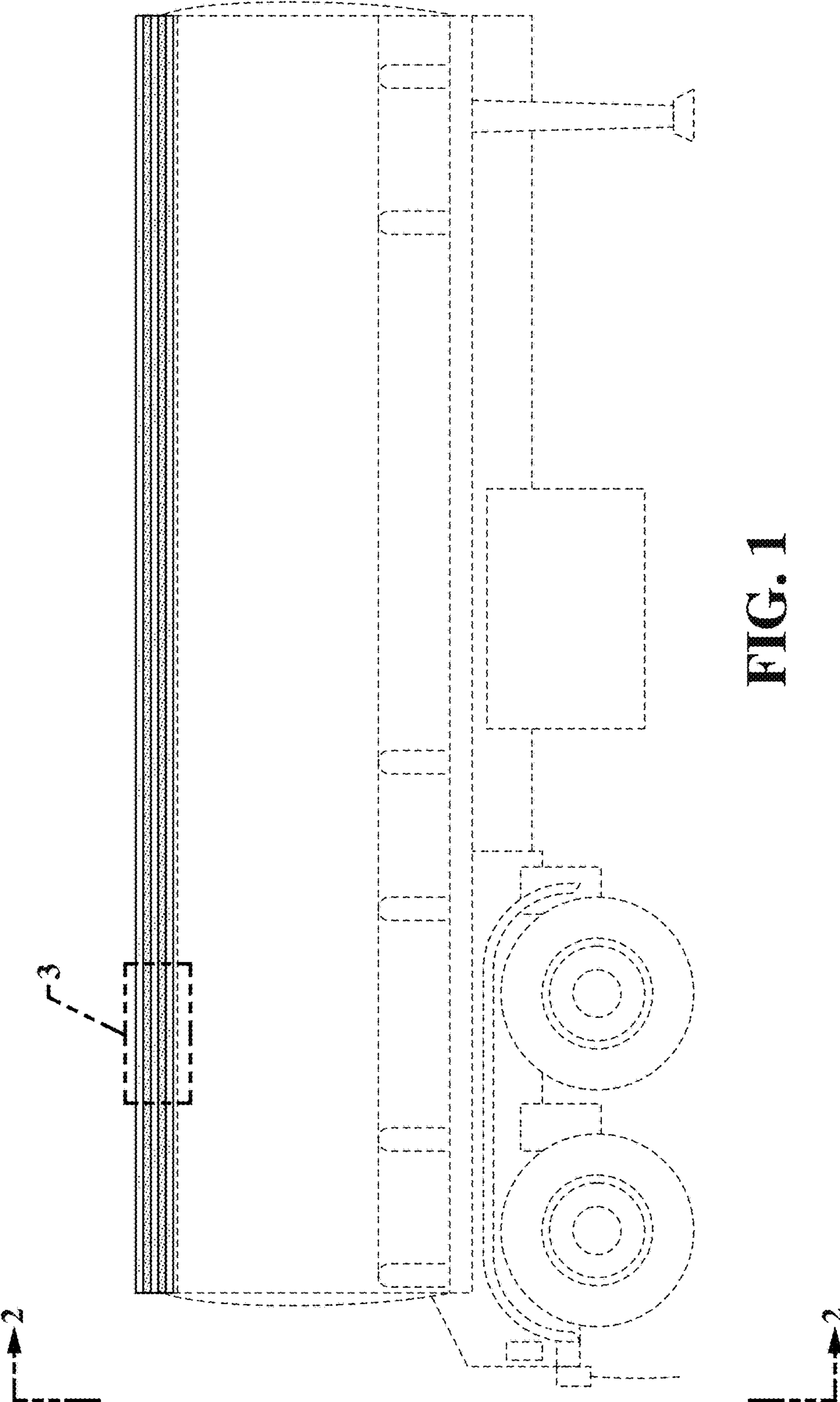


FIG. 1

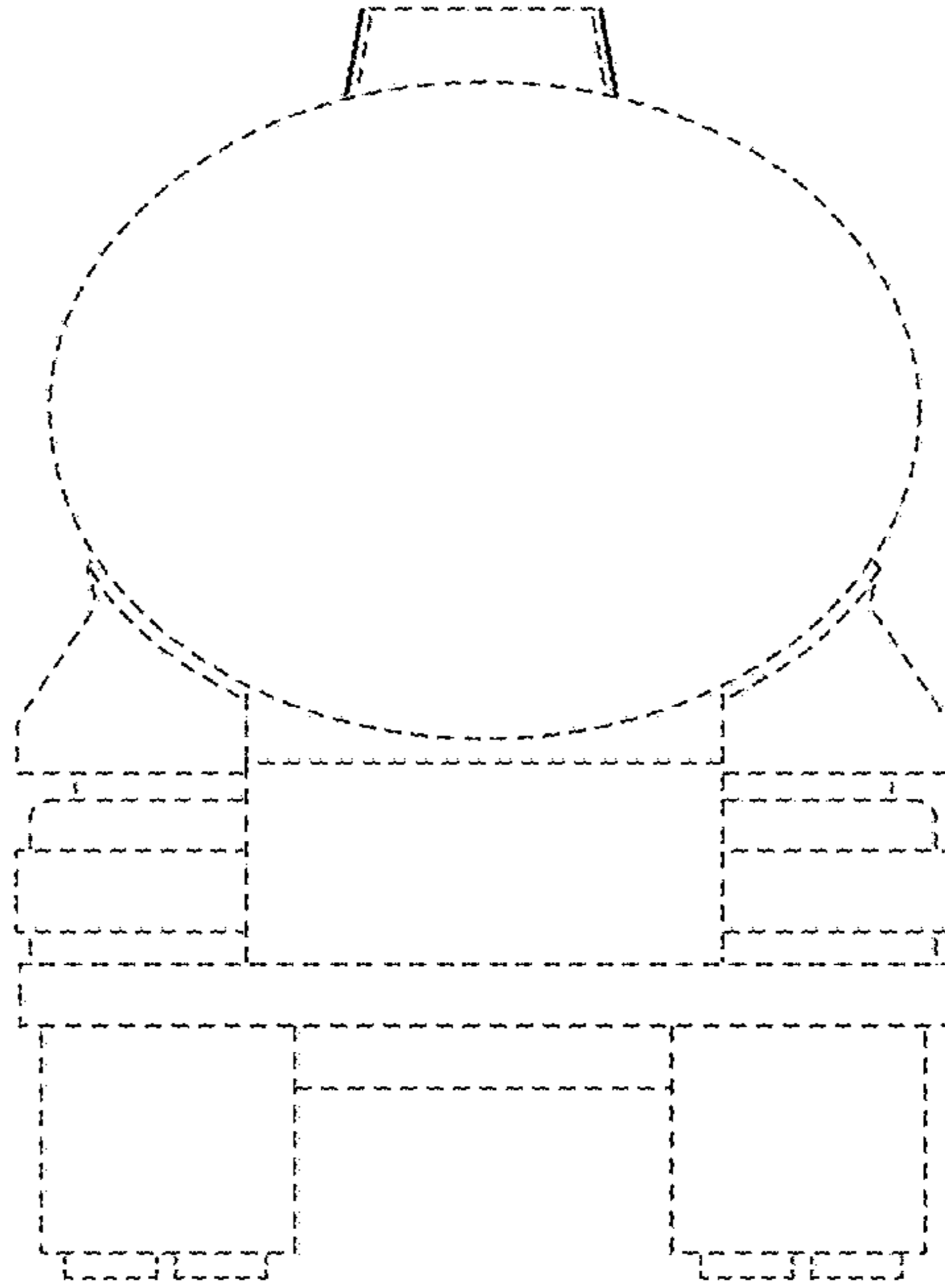


FIG. 2

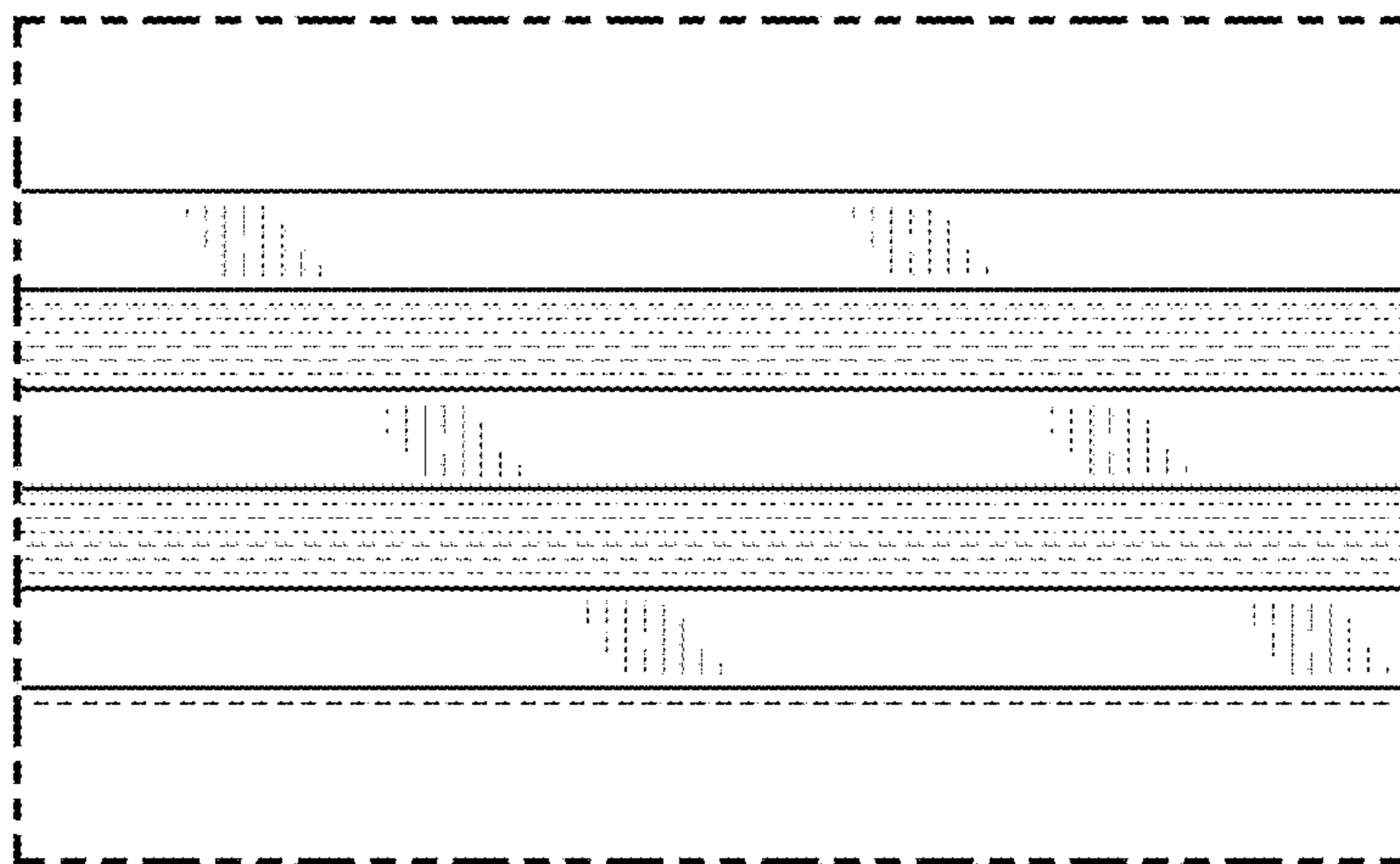


FIG. 3