



US00D845833S

(12) **United States Design Patent**  
**Asai**

(10) **Patent No.:** **US D845,833 S**  
(45) **Date of Patent:** **\*\* Apr. 16, 2019**

(54) **ELECTRIC TRANSPORT VEHICLE**

(71) Applicant: **HONDA MOTOR CO., LTD.**, Tokyo (JP)

(72) Inventor: **Keisuke Asai**, Wako (JP)

(73) Assignee: **HONDA MOTOR CO., LTD.**, Tokyo (JP)

(\*\*) Term: **15 Years**

(21) Appl. No.: **29/642,914**

(22) Filed: **Apr. 3, 2018**

(30) **Foreign Application Priority Data**

Oct. 6, 2017 (JP) ..... 2017-022279

(51) **LOC (11) Cl.** ..... **12-14**

(52) **U.S. Cl.**  
USPC ..... **D12/1**

(58) **Field of Classification Search**  
USPC .... D12/1, 85; D21/419, 421, 423, 760, 763, D21/765, 771  
CPC ..... B62K 3/007; B62K 11/00; B62K 17/00; B62K 2202/00; B62D 51/02; B62D 51/001; A63C 2203/011; A63C 17/12; A63C 17/01; A63C 2017/1463

See application file for complete search history.

(56) **References Cited**

**U.S. PATENT DOCUMENTS**

D355,148 S \* 2/1995 Orsolini ..... D12/1  
6,302,230 B1 \* 10/2001 Kamen ..... A63C 17/01  
180/171

6,907,949 B1 \* 6/2005 Wang ..... B62D 51/02  
180/19.1  
D813,103 S \* 3/2018 Li ..... D12/112  
2005/0285357 A1 \* 12/2005 Lin ..... A45C 9/00  
280/47.26  
2015/0034402 A1 \* 2/2015 Dourado ..... A45F 3/04  
180/181

\* cited by examiner

*Primary Examiner* — T Chase Nelson

*Assistant Examiner* — Ania Aman

(74) *Attorney, Agent, or Firm* — Westerman, Hattori, Daniels & Adrian, LLP

(57) **CLAIM**

The ornamental design for an electric transport vehicle, as shown and described.

**DESCRIPTION**

FIG. 1 is a front and right side perspective view of an electric transport vehicle;  
FIG. 2 is a rear and right side perspective view thereof;  
FIG. 3 is a front elevation view thereof;  
FIG. 4 is a rear elevation view thereof;  
FIG. 5 is a top plan view thereof;  
FIG. 6 is a right side elevation view thereof; and,  
FIG. 7 is a left side elevation view thereof.  
The broken lines shown in the drawings illustrate portions of the electric transport vehicle that are environmental structures and form no part of the claimed design.

**1 Claim, 7 Drawing Sheets**

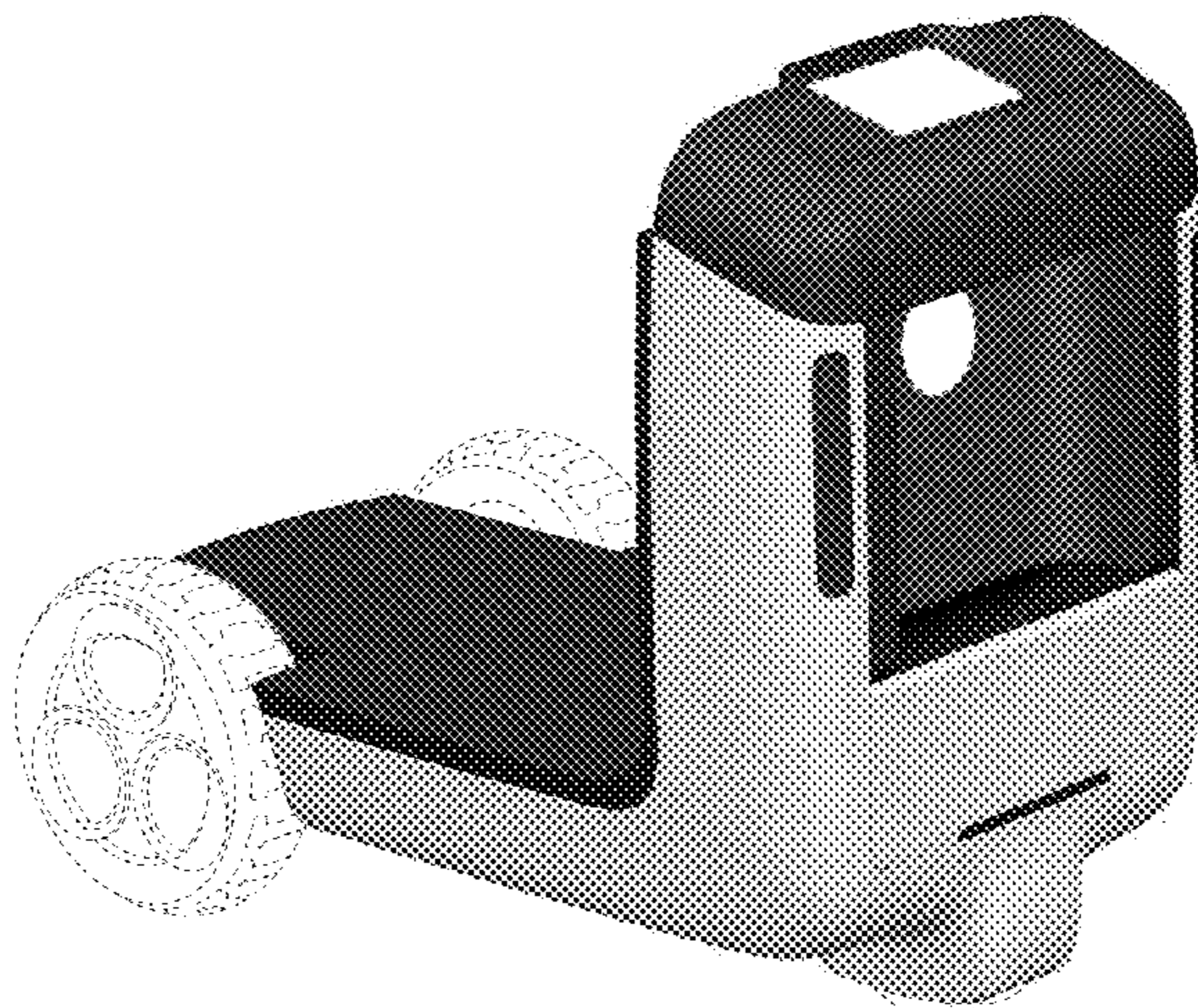
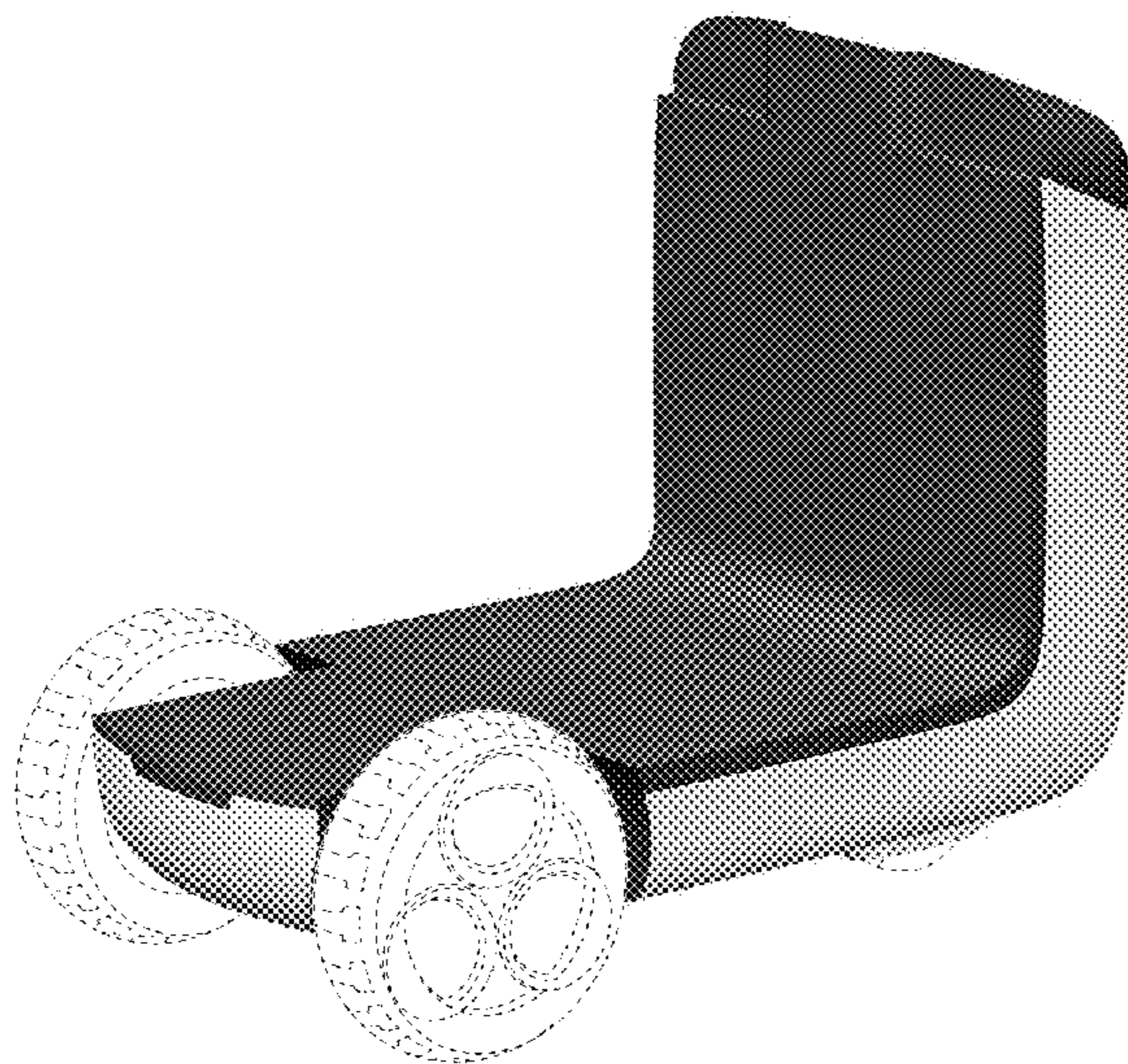




Fig.1

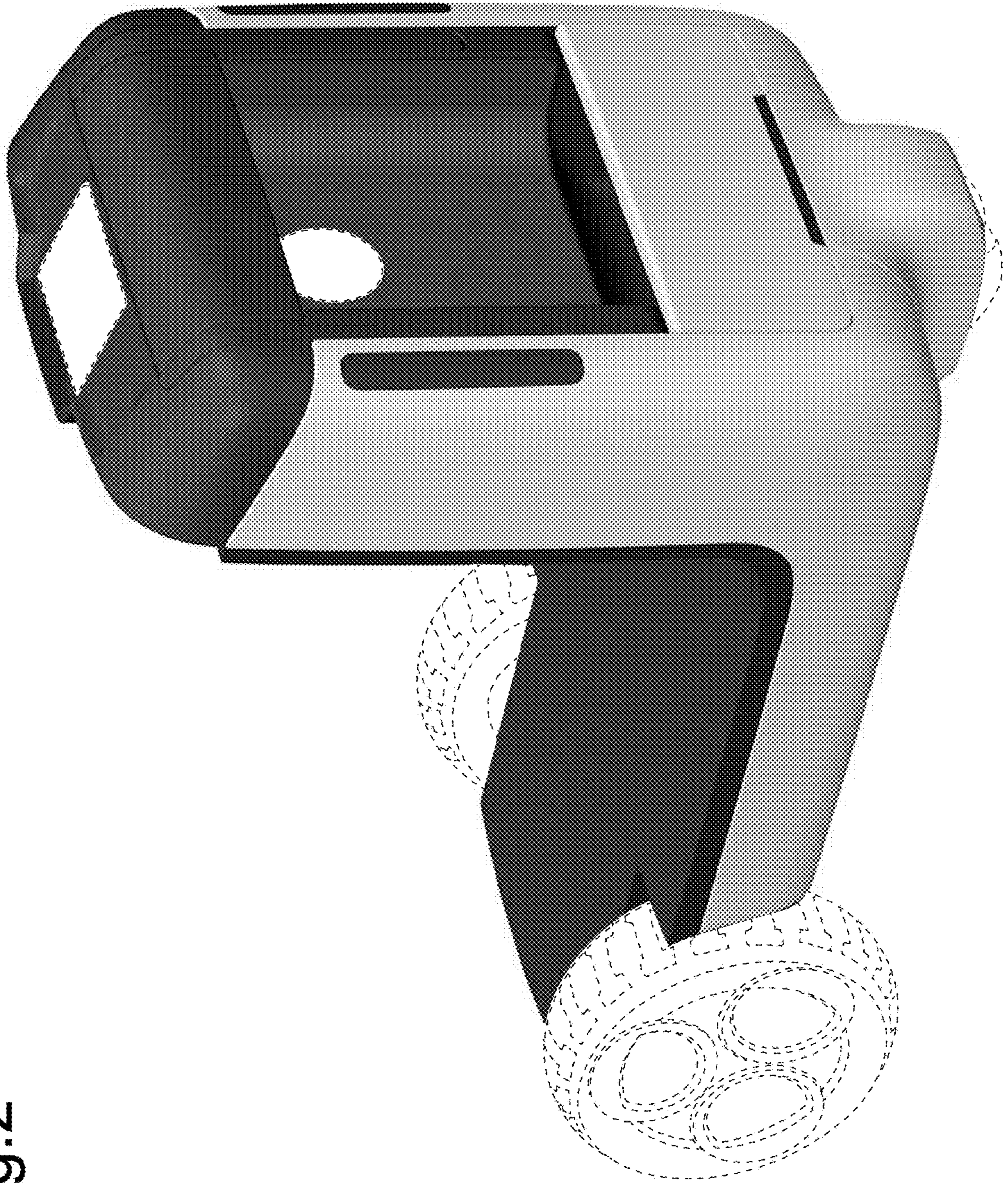


Fig.2

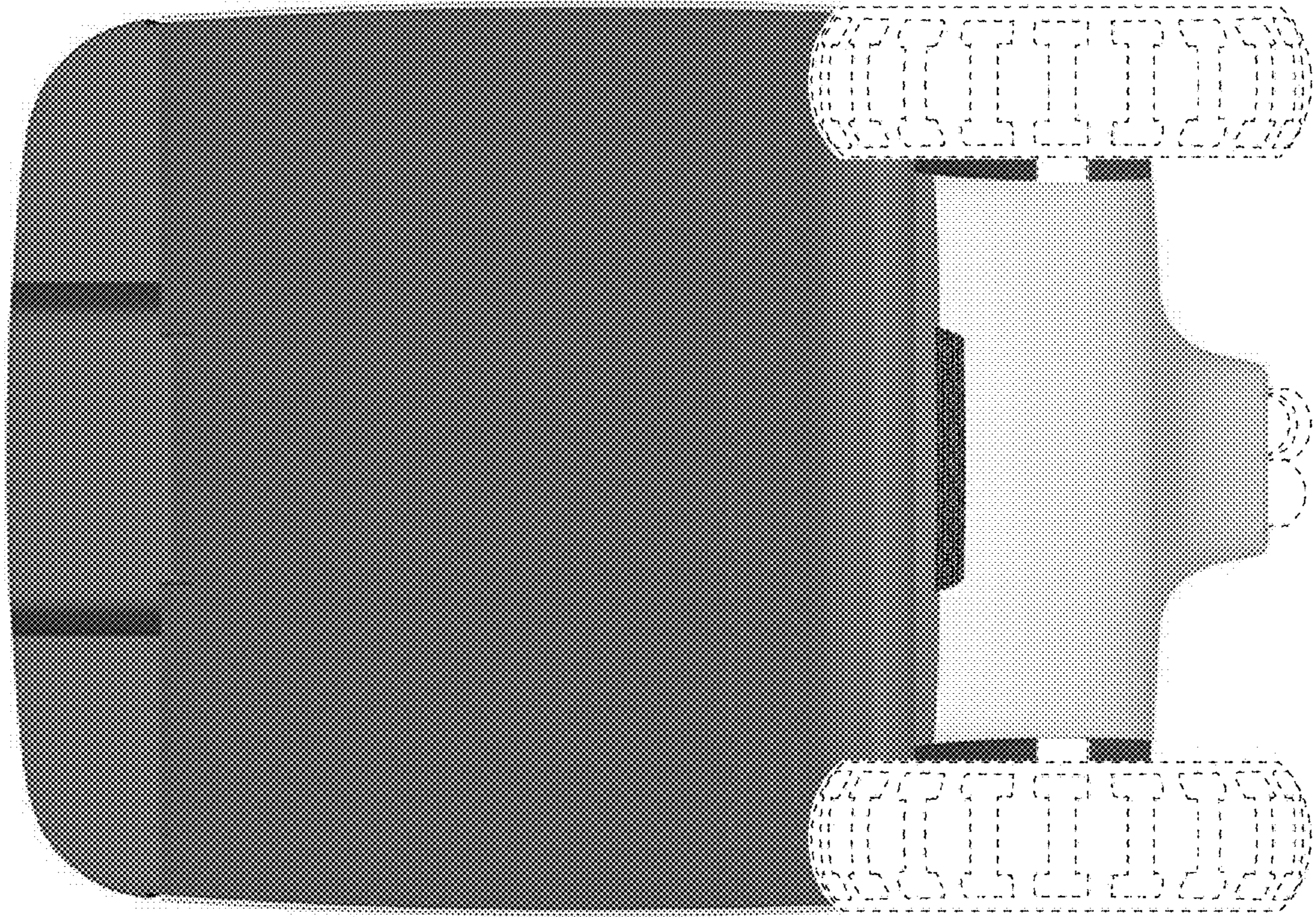


Fig.3

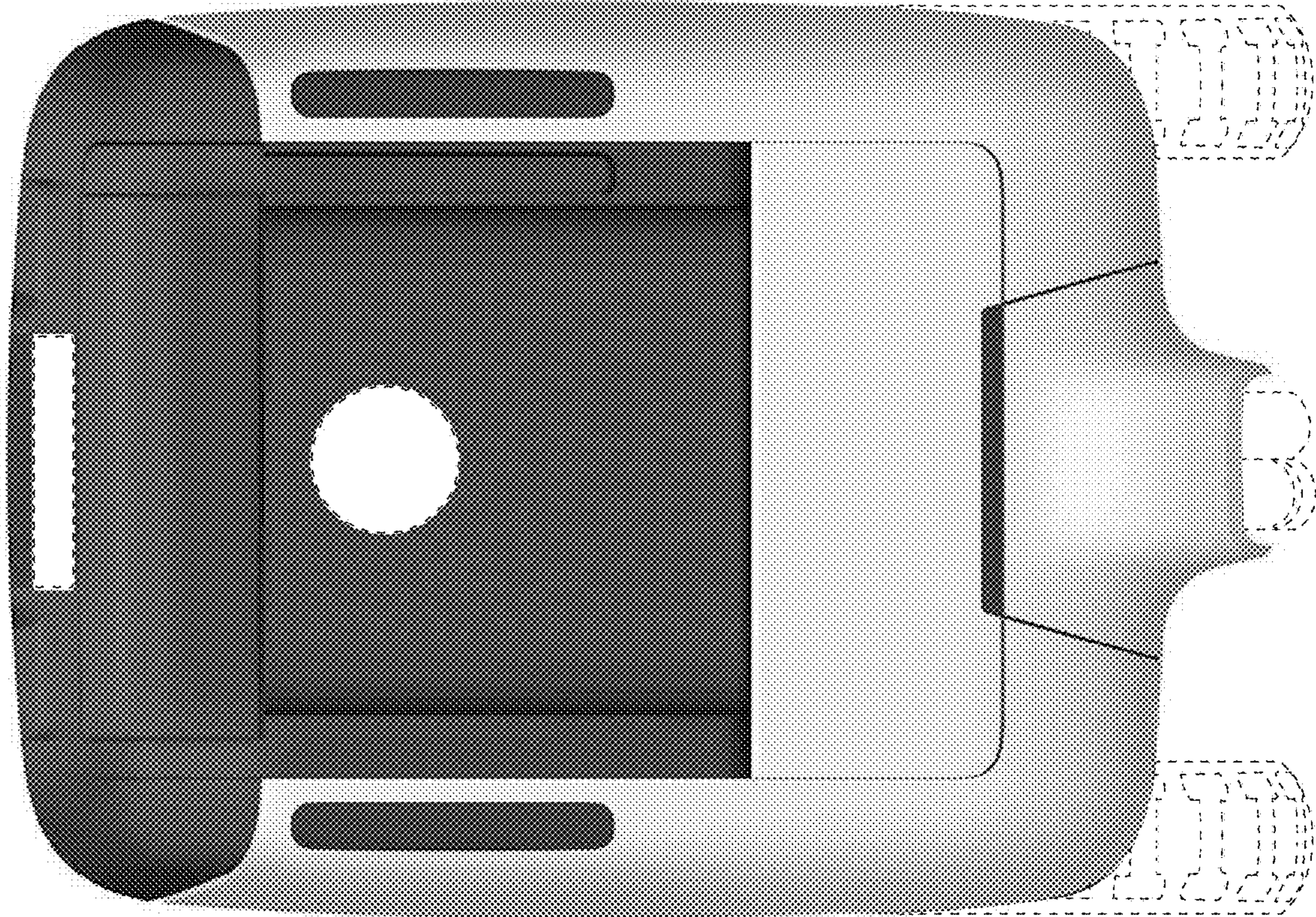


Fig.4

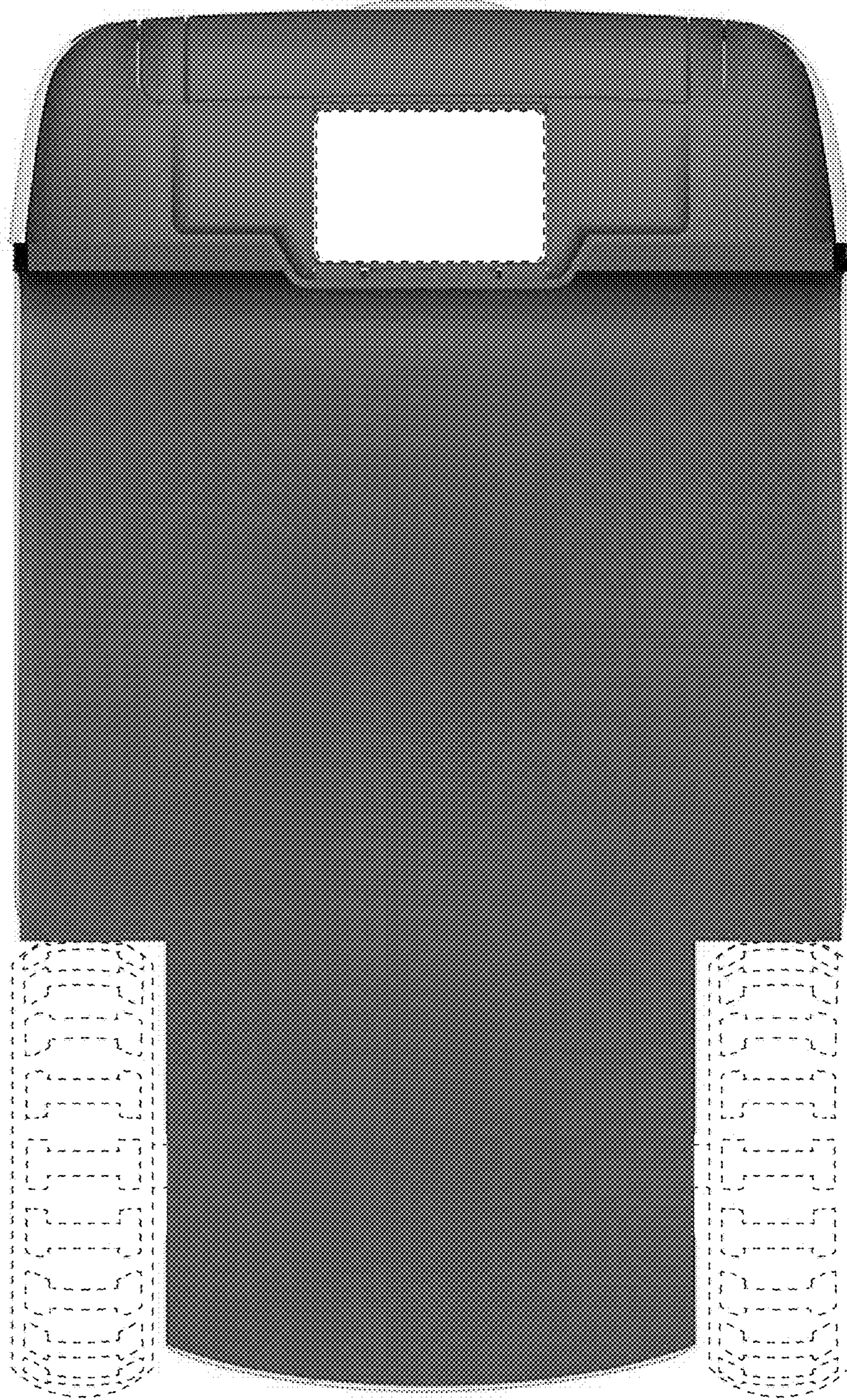


Fig. 5



Fig.6

Fig.7

