

US00D845832S

(12) **United States Design Patent**  
**Ishikawa et al.**

(10) **Patent No.:** **US D845,832 S**  
(45) **Date of Patent:** **\*\* Apr. 16, 2019**

(54) **ELECTRIC VEHICLE**

(71) Applicant: **HONDA MOTOR CO., LTD.**, Tokyo (JP)

(72) Inventors: **Kota Ishikawa**, Wako (JP); **Takehisa Tanaka**, Wako (JP)

(73) Assignee: **HONDA MOTOR CO., LTD.**, Tokyo (JP)

(\*\*) Term: **15 Years**

(21) Appl. No.: **29/642,906**

(22) Filed: **Apr. 3, 2018**

(30) **Foreign Application Priority Data**

Oct. 11, 2017 (JP) ..... 2017-022502

(51) **LOC (11) Cl.** ..... **12-14**

(52) **U.S. Cl.**  
USPC ..... **D12/1**

(58) **Field of Classification Search**  
USPC ... D12/1, 36, 37, 38, 39, 40, 41, 42, 43, 44,  
D12/46, 52, 85, 86, 93  
CPC .. B61B 12/002; B60F 1/00; B60F 1/02; B60F  
1/043; B60F 1/046; B62D 63/06  
See application file for complete search history.

(56) **References Cited**

**U.S. PATENT DOCUMENTS**

D218,996 S \* 10/1970 Larsen ..... D12/37  
D234,418 S \* 3/1975 Forsey, Jr. et al. .... D12/40

D458,876 S \* 6/2002 Kendall ..... D12/103  
D599,703 S \* 9/2009 Tamiya ..... D12/91  
8,950,337 B1 \* 2/2015 Davis ..... E01B 25/00  
104/124  
D784,853 S \* 4/2017 Gecchelin ..... D12/1  
2015/0015017 A1 \* 1/2015 Benoliel ..... B61B 15/00  
296/26.02

\* cited by examiner

*Primary Examiner* — T Chase Nelson  
*Assistant Examiner* — Ania K Aman

(74) *Attorney, Agent, or Firm* — Westerman, Hattori,  
Daniels & Adrian, LLP

(57) **CLAIM**

The ornamental design for an electric vehicle, as shown and described.

**DESCRIPTION**

FIG. 1 is a front and right side perspective view of an electric vehicle;  
FIG. 2 is a rear and right side perspective view thereof;  
FIG. 3 is a front elevation view thereof;  
FIG. 4 is a rear elevation view thereof;  
FIG. 5 is a top plan view thereof;  
FIG. 6 is a right side elevation view thereof; and,  
FIG. 7 is a left side elevation view thereof.  
The broken lines shown in the drawings illustrate portions of the electric vehicle that are environmental structures and form no part of the claimed design.

**1 Claim, 7 Drawing Sheets**

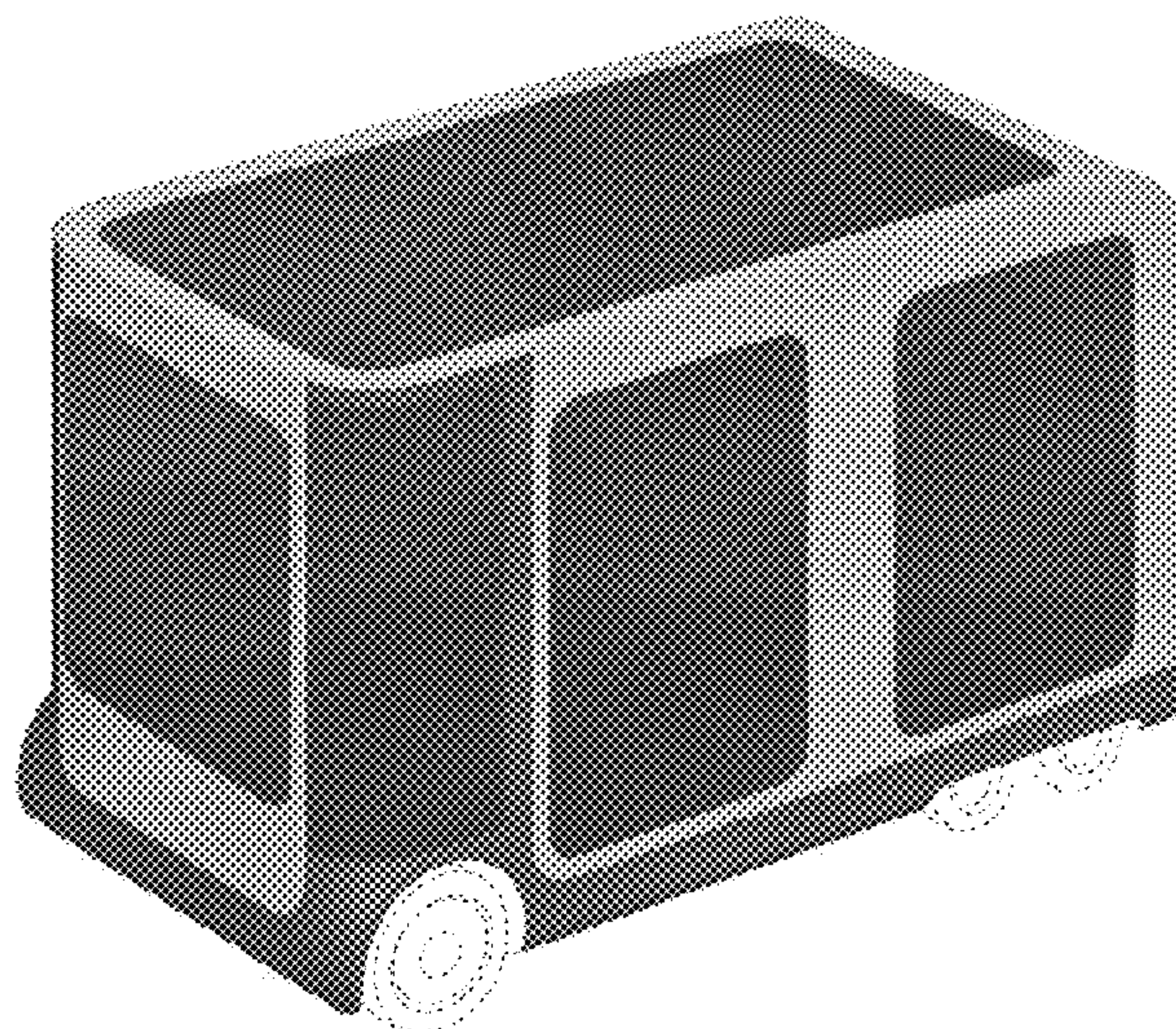




Fig. 1

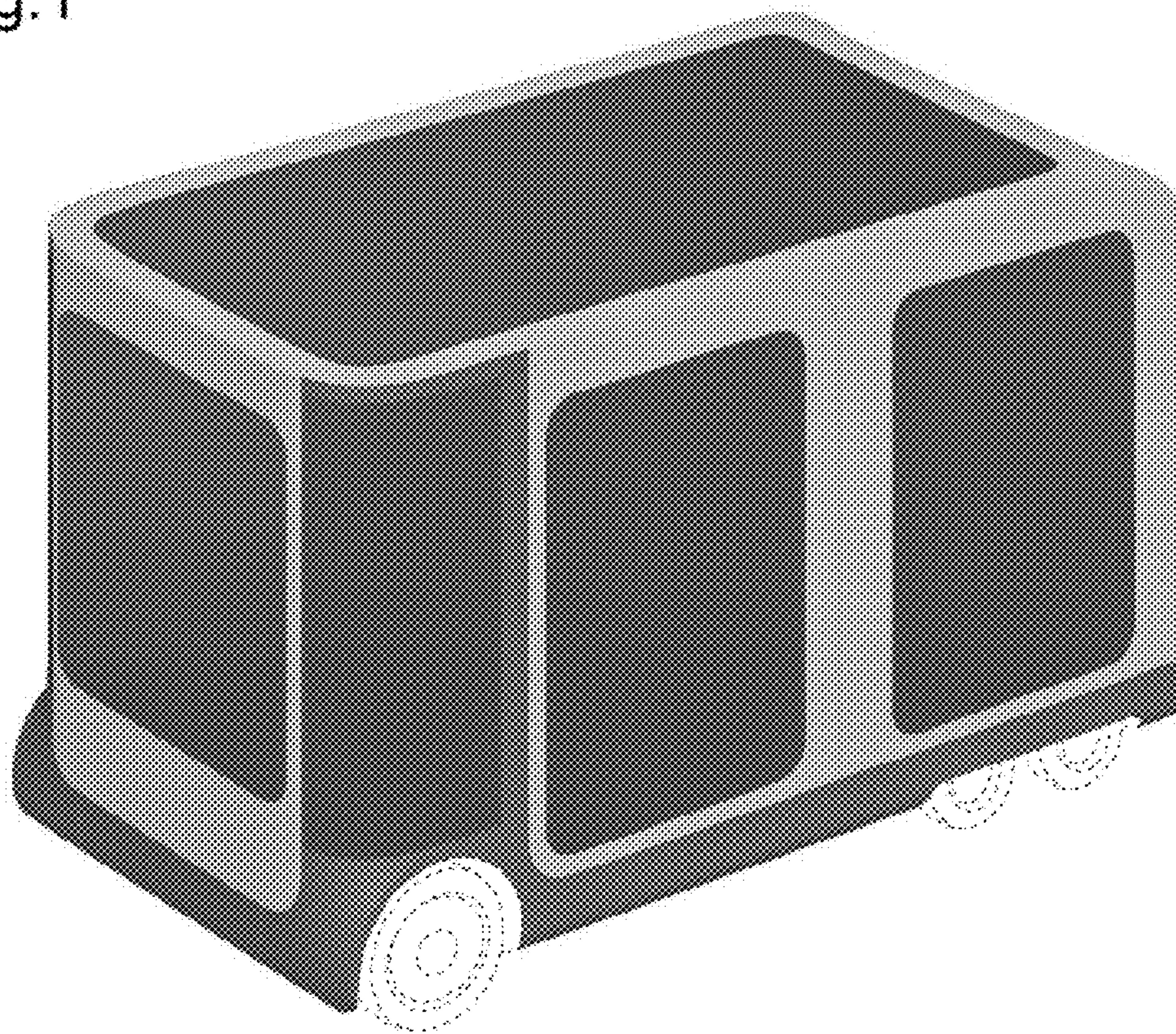




Fig.2

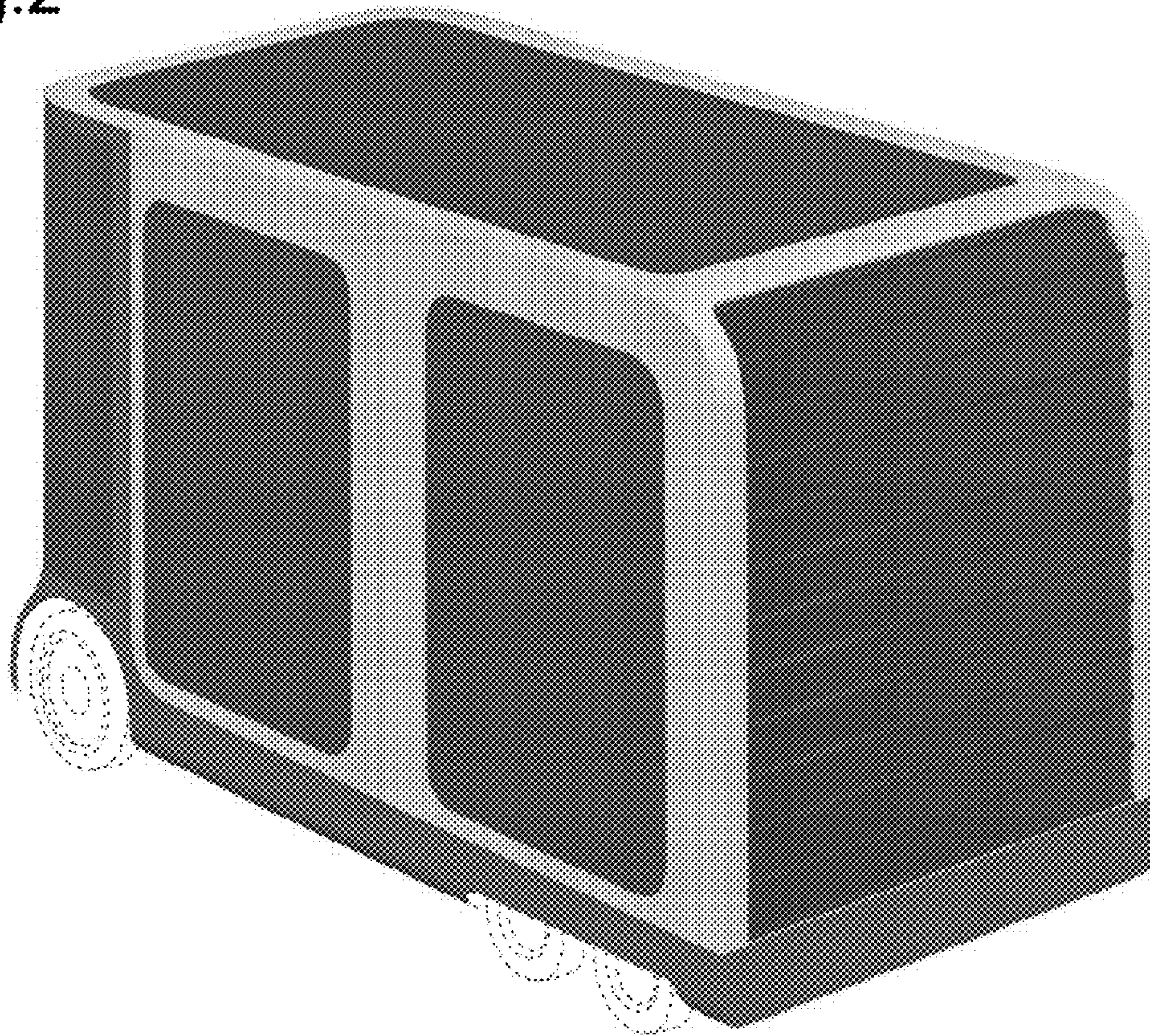




Fig.3

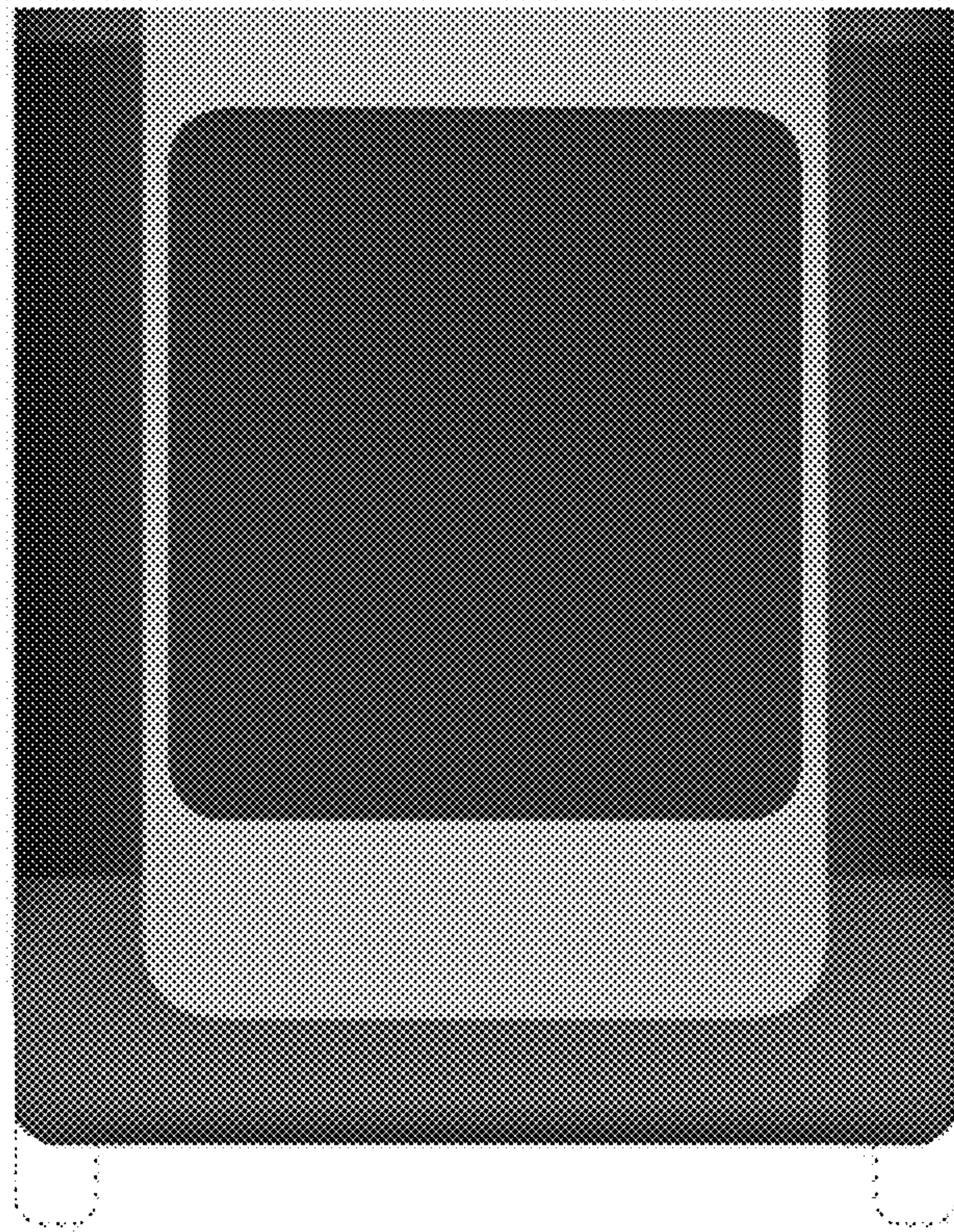


Fig.4

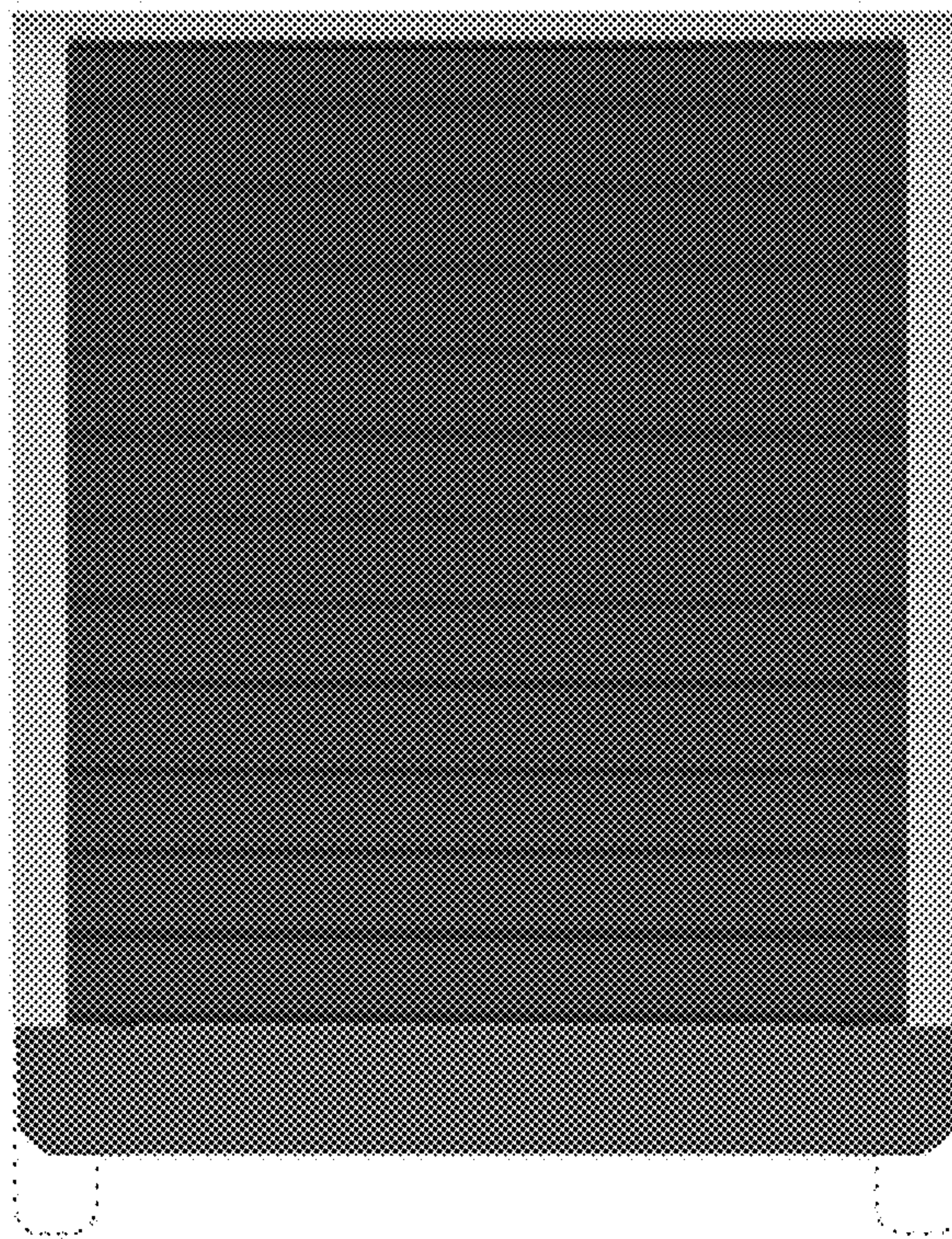




Fig.5

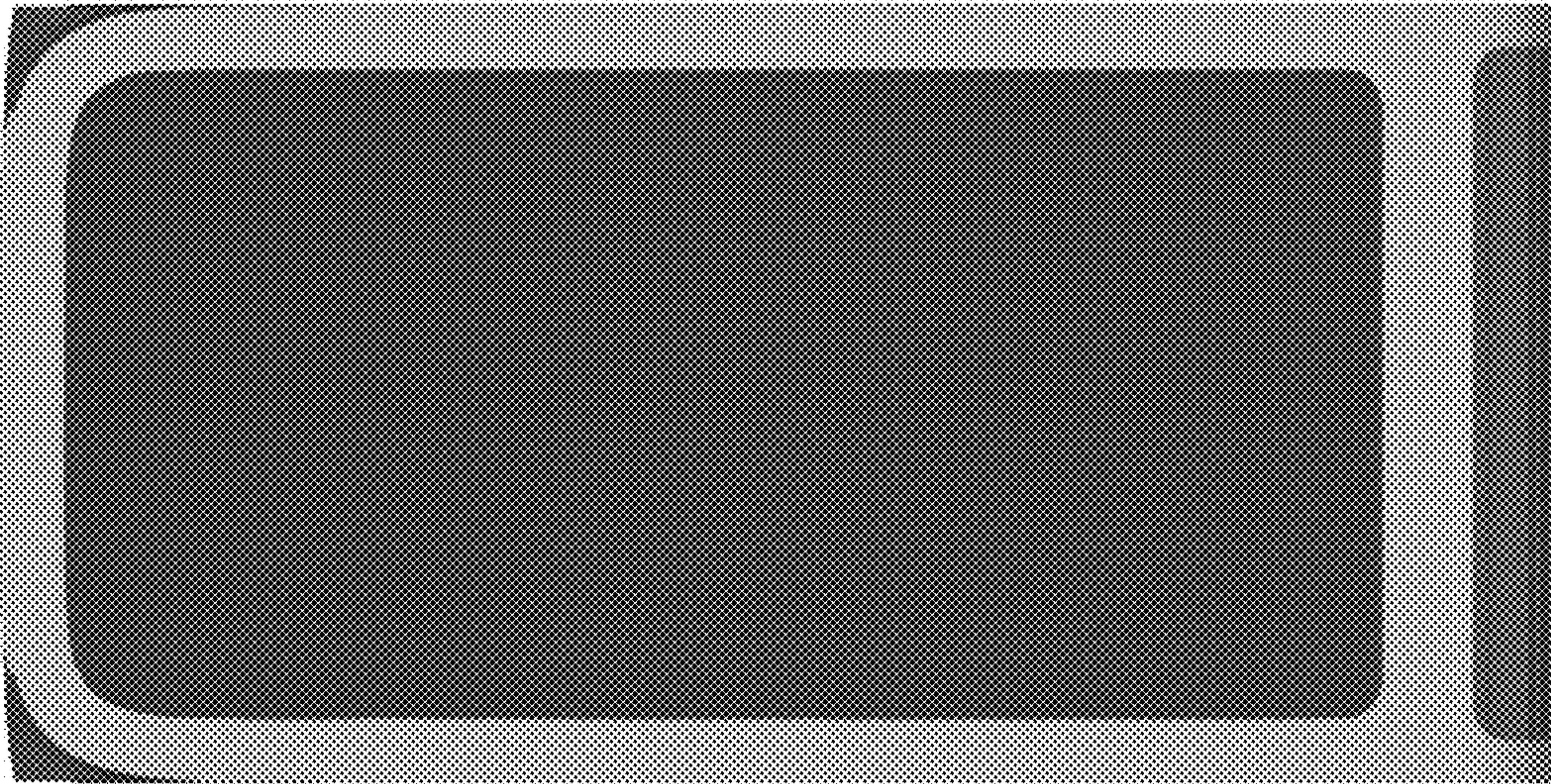




Fig.6

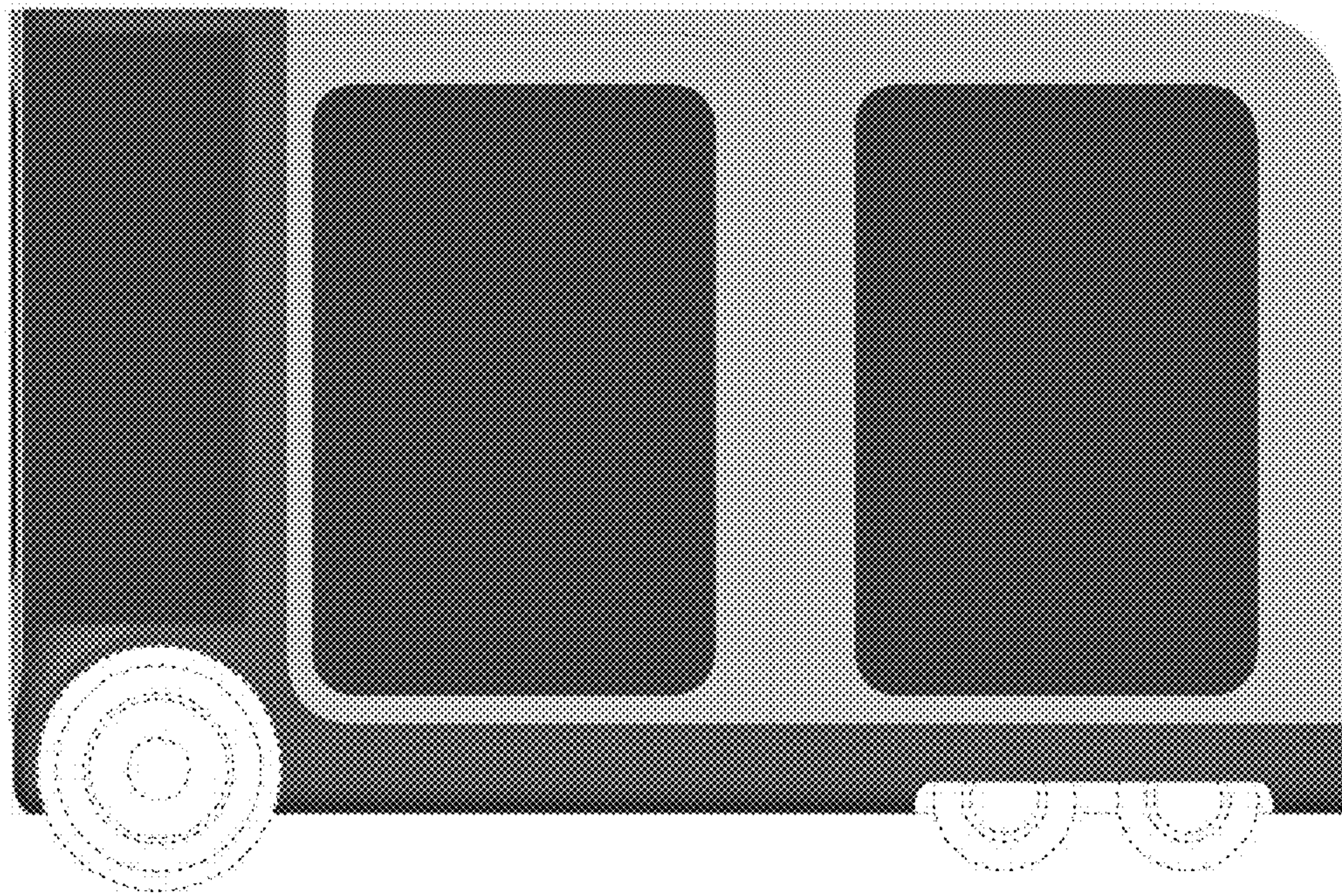




Fig.7

