



US00D845830S

(12) **United States Design Patent**
Lee

(10) **Patent No.:** **US D845,830 S**
(45) **Date of Patent:** **** Apr. 16, 2019**

(54) **SNAP BUTTON**

DESCRIPTION

- (71) Applicant: **Duraflex Hong Kong Limited**, Hong Kong (CN)
- (72) Inventor: **Ray Lee**, Taipei (TW)
- (73) Assignee: **Duraflex Hong Kong Limited**, Hong Kong (CN)
- (**) Term: **15 Years**
- (21) Appl. No.: **29/622,009**
- (22) Filed: **Oct. 13, 2017**
- (51) **LOC (11) Cl.** **02-07**
- (52) **U.S. Cl.**
USPC **D11/220**
- (58) **Field of Classification Search**
USPC D11/220, 222, 226, 218; D8/382
CPC . A44B 17/00; A44B 17/0005; A44B 17/0011;
A44B 17/0017; A44B 17/0023; A44B
17/0029; A44B 17/0035; A44B 17/0041;
A44B 17/0047; A44B 17/0052; A44B
17/0058; A44B 17/0064; A44B 17/007;
A44B 17/0076; A44B 17/0082; A44B
17/0088; A44B 17/0094
See application file for complete search history.

(56) **References Cited**

U.S. PATENT DOCUMENTS

- 3,156,962 A * 11/1964 Henson A44B 17/0052
24/113 R
- 4,099,303 A * 7/1978 Parera A44B 17/0011
24/640
- D517,947 S * 3/2006 Hollingworth D11/220
- D642,089 S * 7/2011 Chan D11/220

(Continued)

Primary Examiner — Zenia I Bennett

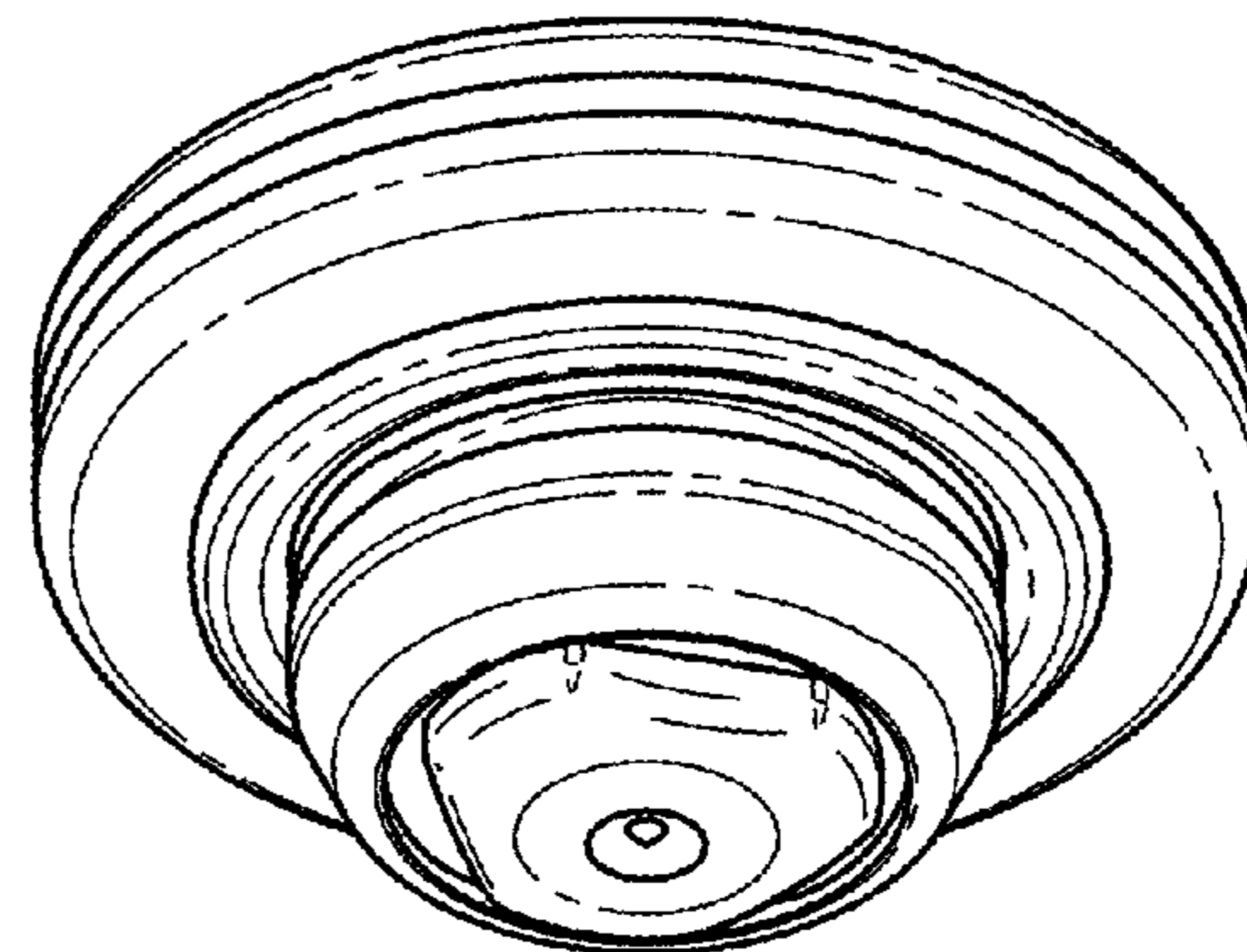
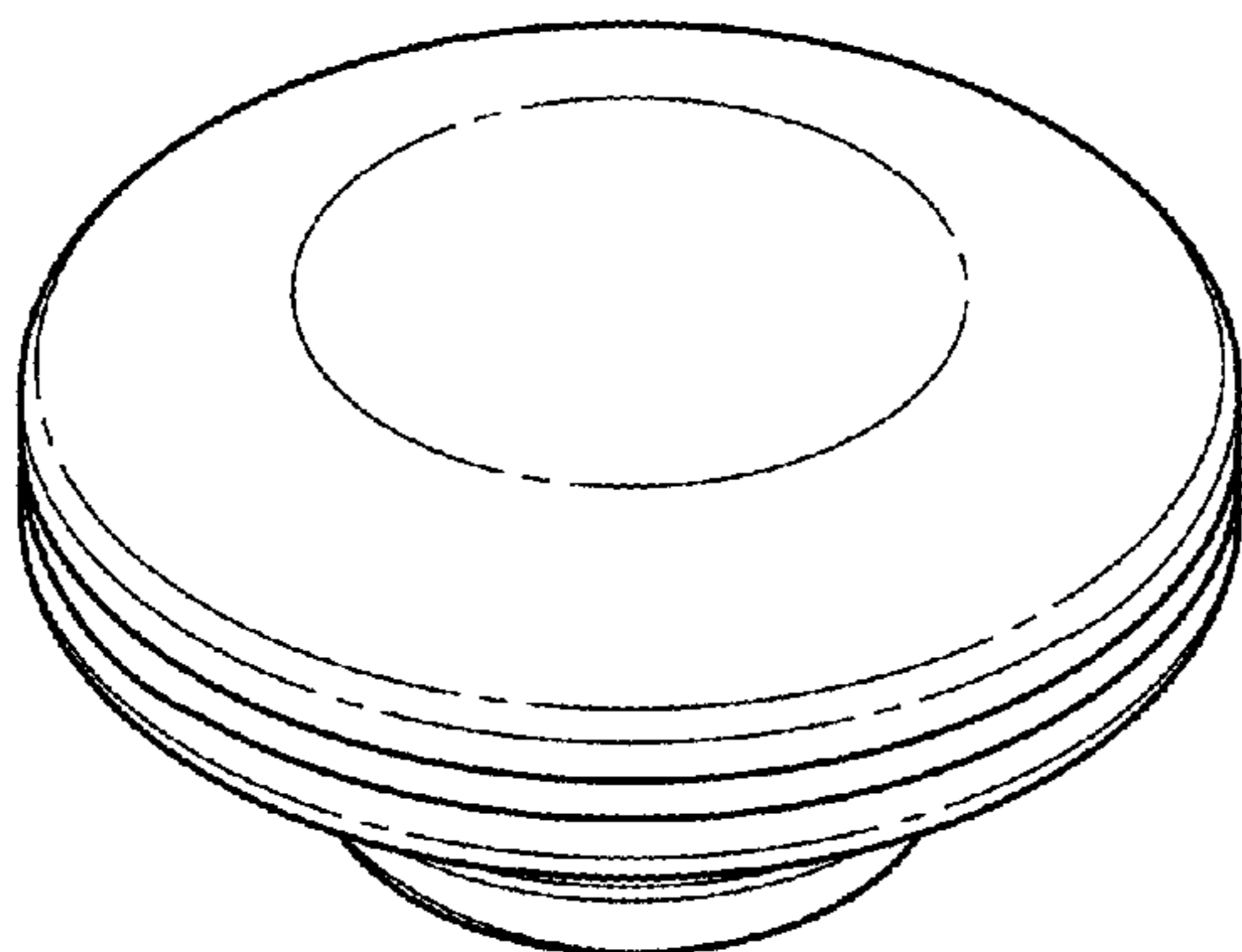
(74) *Attorney, Agent, or Firm* — Collard & Roe, P.C.

(57) **CLAIM**

The ornamental design for a snap button, as shown and described.

FIG. 1 is a side view of the snap button according to my new design in an assembled position, with all other side views being identical;
 FIG. 2 is a top view thereof;
 FIG. 3 is a cross-sectional view along lines 3-3 of FIG. 2;
 FIG. 4 is a bottom view thereof;
 FIG. 5 is a top and side perspective view thereof;
 FIG. 6 is a bottom and side perspective view thereof;
 FIG. 7 is a side view of the female portion of the snap button, with all other side views being identical and with the male portion being removed for ease of illustration;
 FIG. 8 is a top and side perspective view of the female portion of FIG. 7;
 FIG. 9 is a cross-sectional view along lines 9-9 of FIG. 8;
 FIG. 10 is a bottom and side perspective view of the female portion of FIG. 7;
 FIG. 11 is a bottom view of the female portion of FIG. 7;
 FIG. 12 is a side view of the male portion of the snap button, with all other side views being identical, and with the female portion removed for ease of illustration;
 FIG. 13 is top view of the male portion of FIG. 12;
 FIG. 14 is a cross-sectional view along lines 14-14 of FIG. 13;
 FIG. 15 is a bottom view of the male portion of FIG. 12;
 FIG. 16 is a top and side perspective view of the male portion of FIG. 12;
 FIG. 17 is a bottom and side perspective view of the male portion of FIG. 12;
 FIG. 18 is a side view of the snap button as used to connect two layers of fabric; and,
 FIG. 19 is a cross-sectional view of the snap button as shown in FIG. 18.
 The elements shown in broken lines in FIGS. 18 and 19 show environmental structure only and form no part of the claimed design.

1 Claim, 6 Drawing Sheets



(56)

References Cited

U.S. PATENT DOCUMENTS

D664,891 S	*	8/2012	Takeda	D11/220
D678,816 S	*	3/2013	Chan	D11/220
D728,417 S	*	5/2015	Pferdehirt	D11/220
D728,418 S	*	5/2015	Pferdehirt	D11/220

* cited by examiner

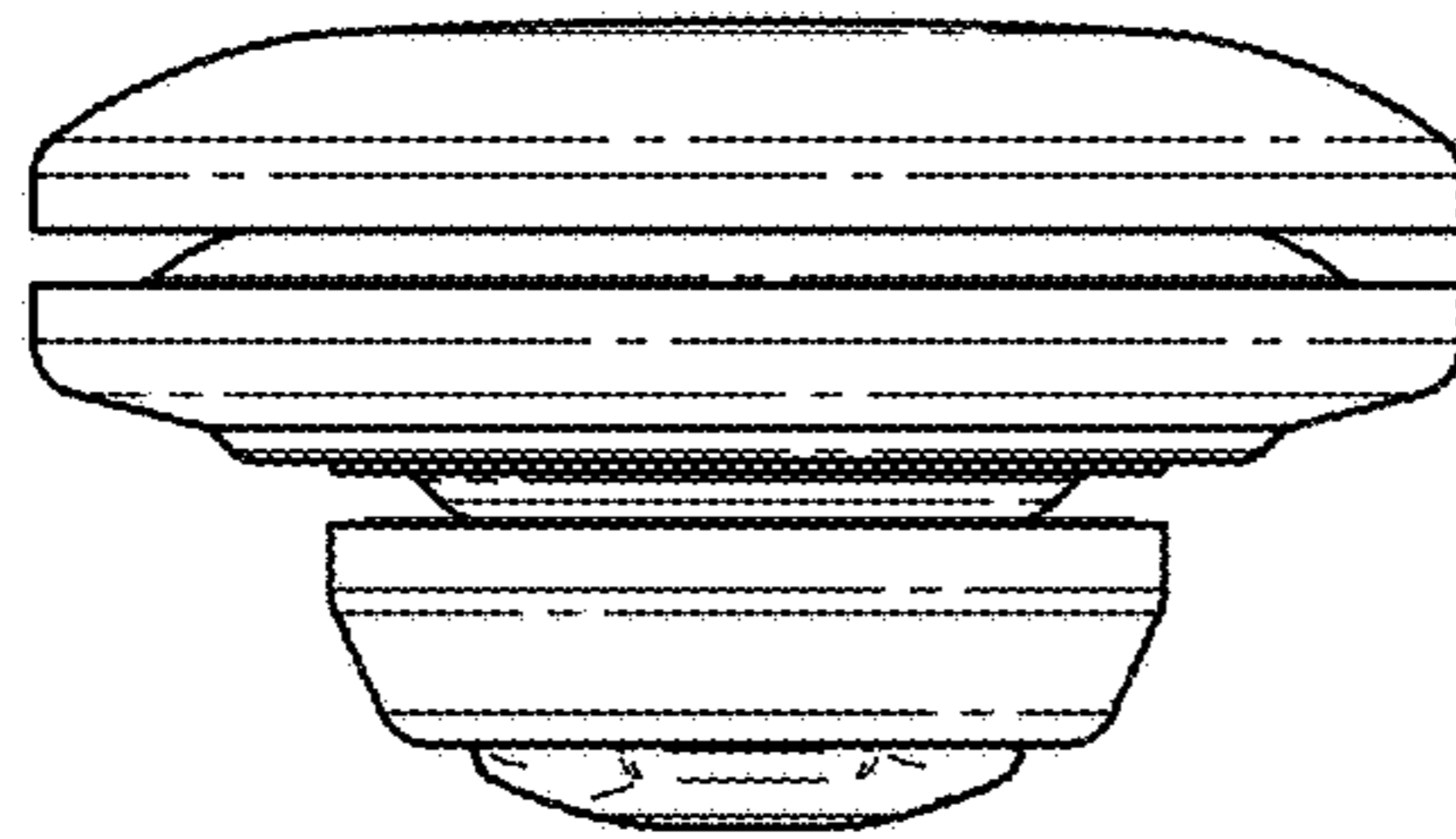


FIG. 1

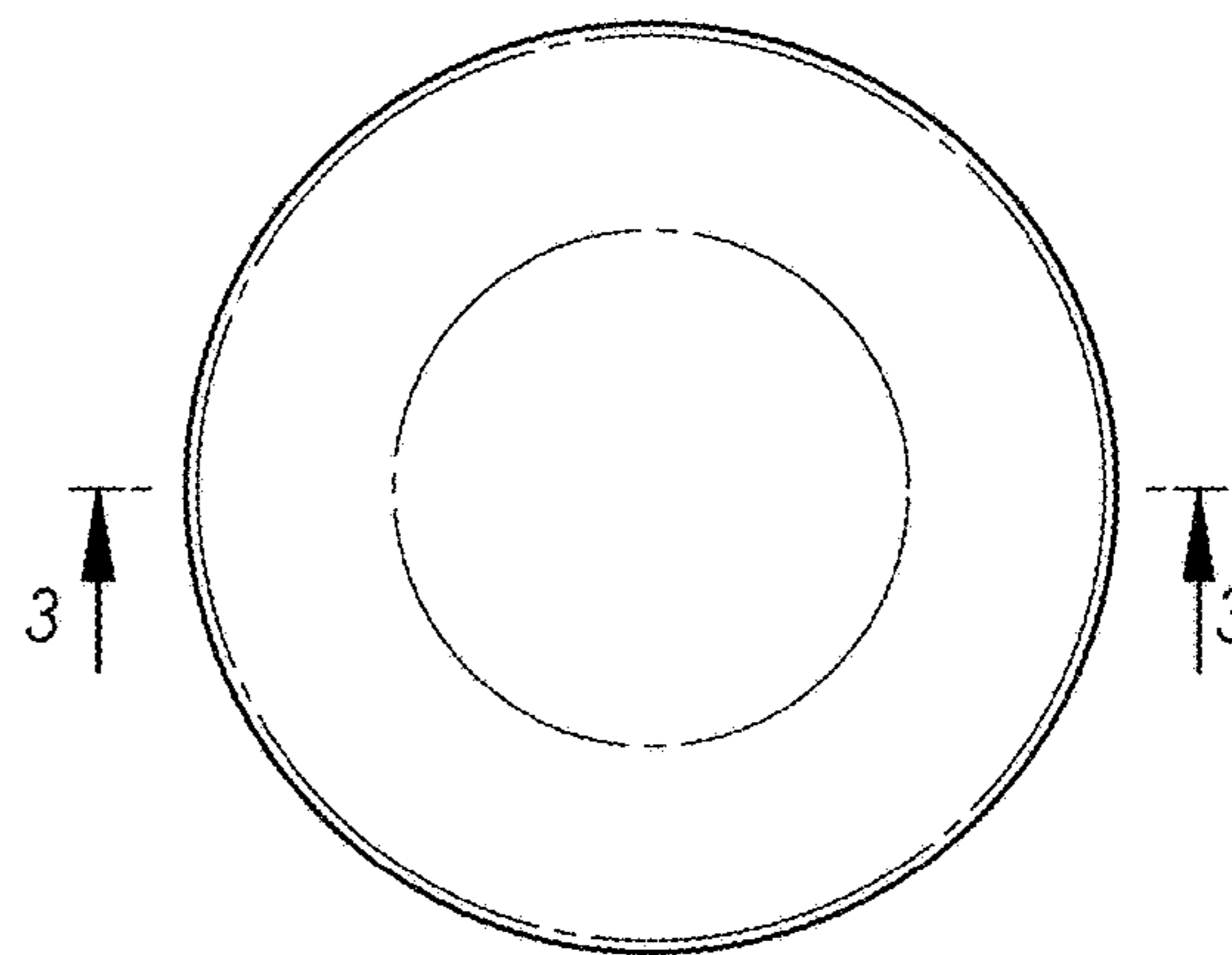


FIG. 2

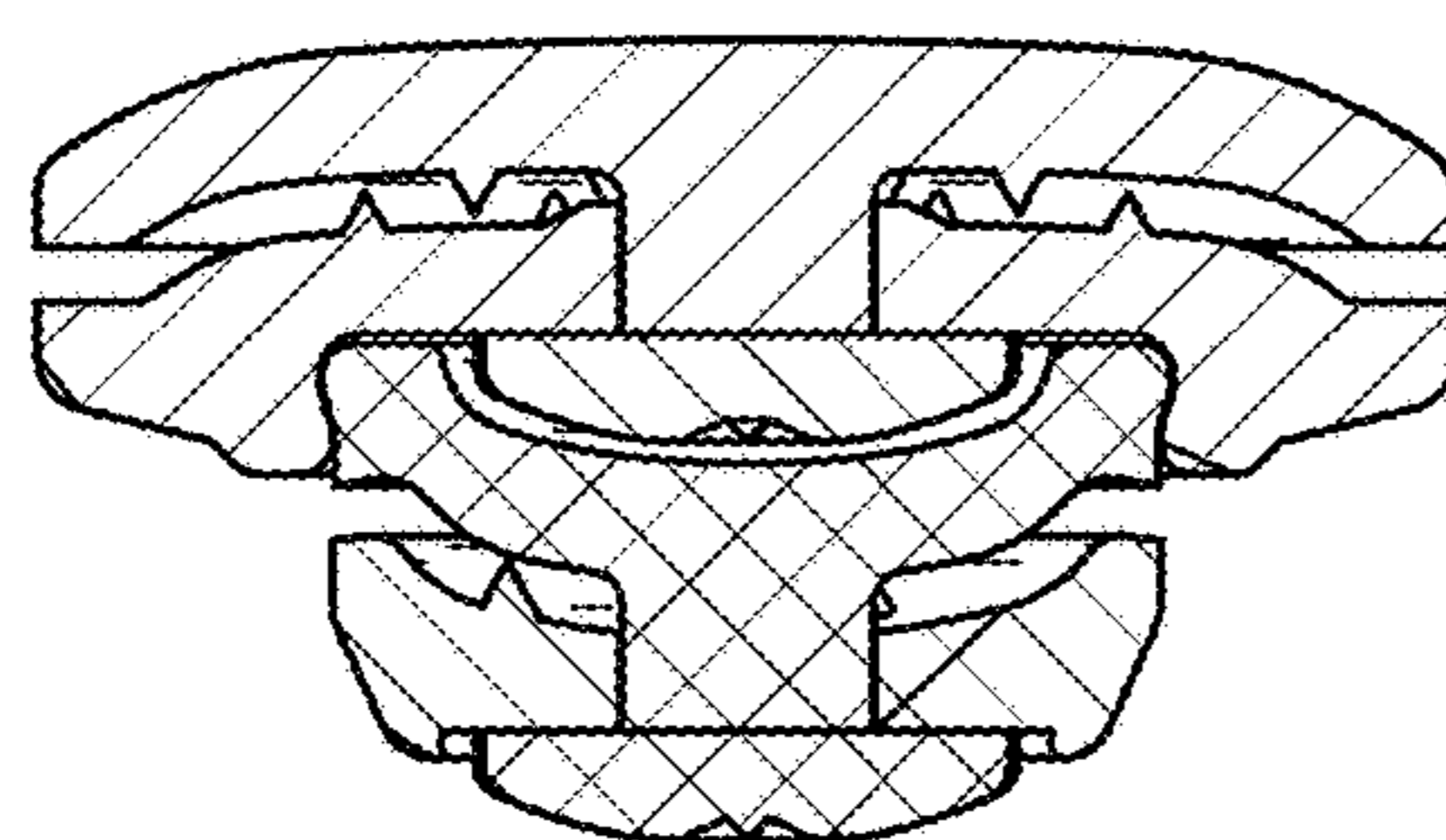


FIG. 3

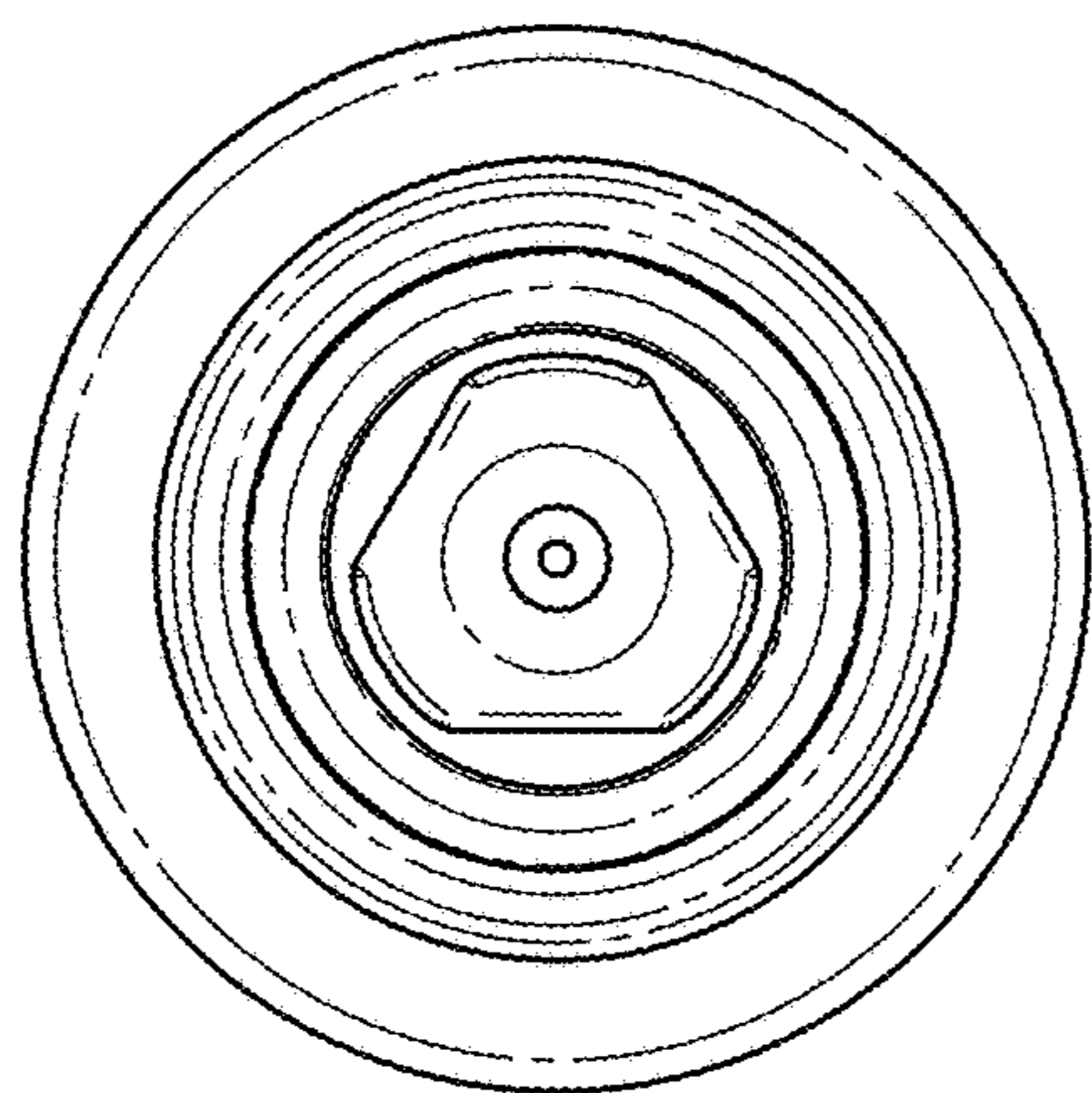


FIG. 4

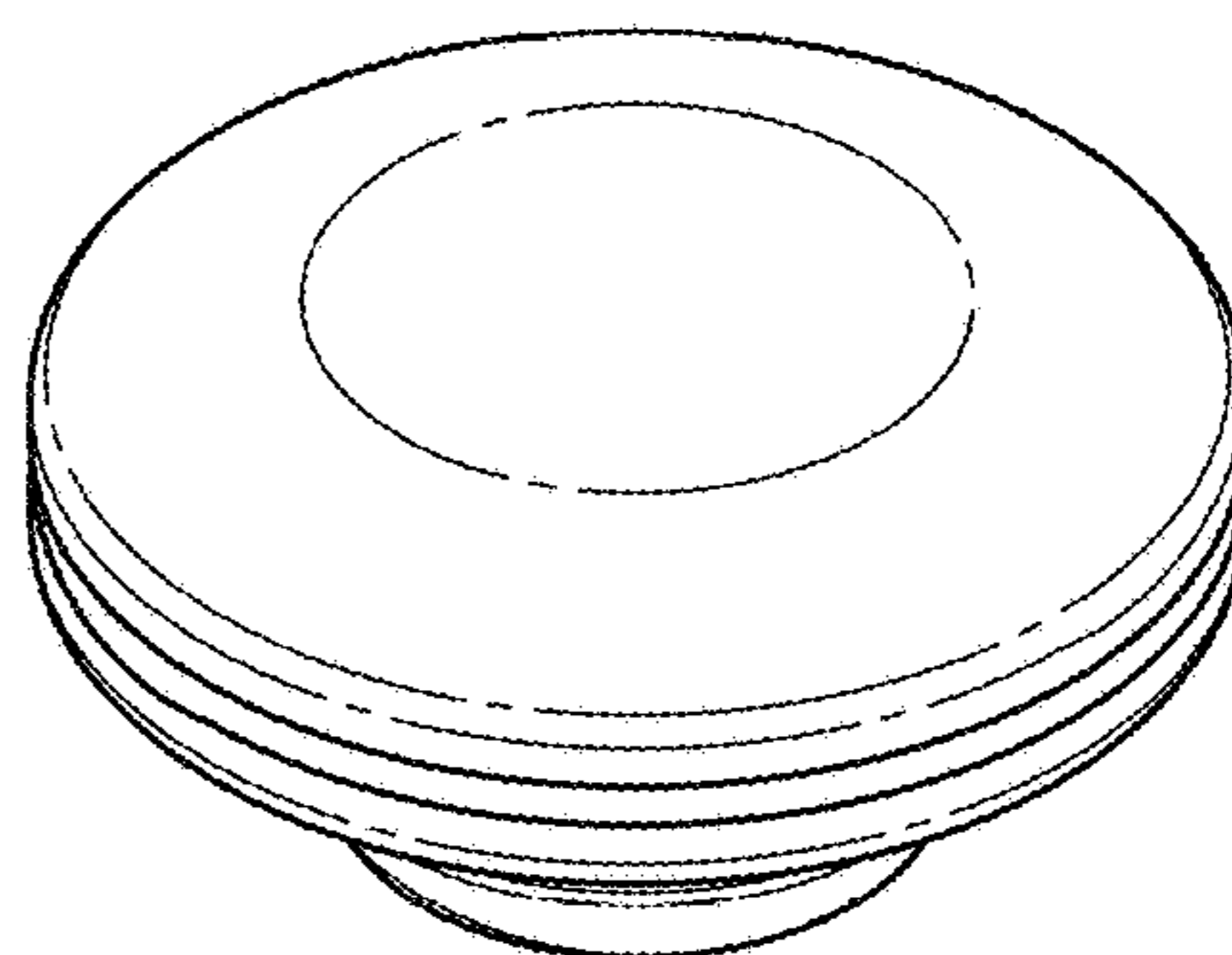


FIG. 5

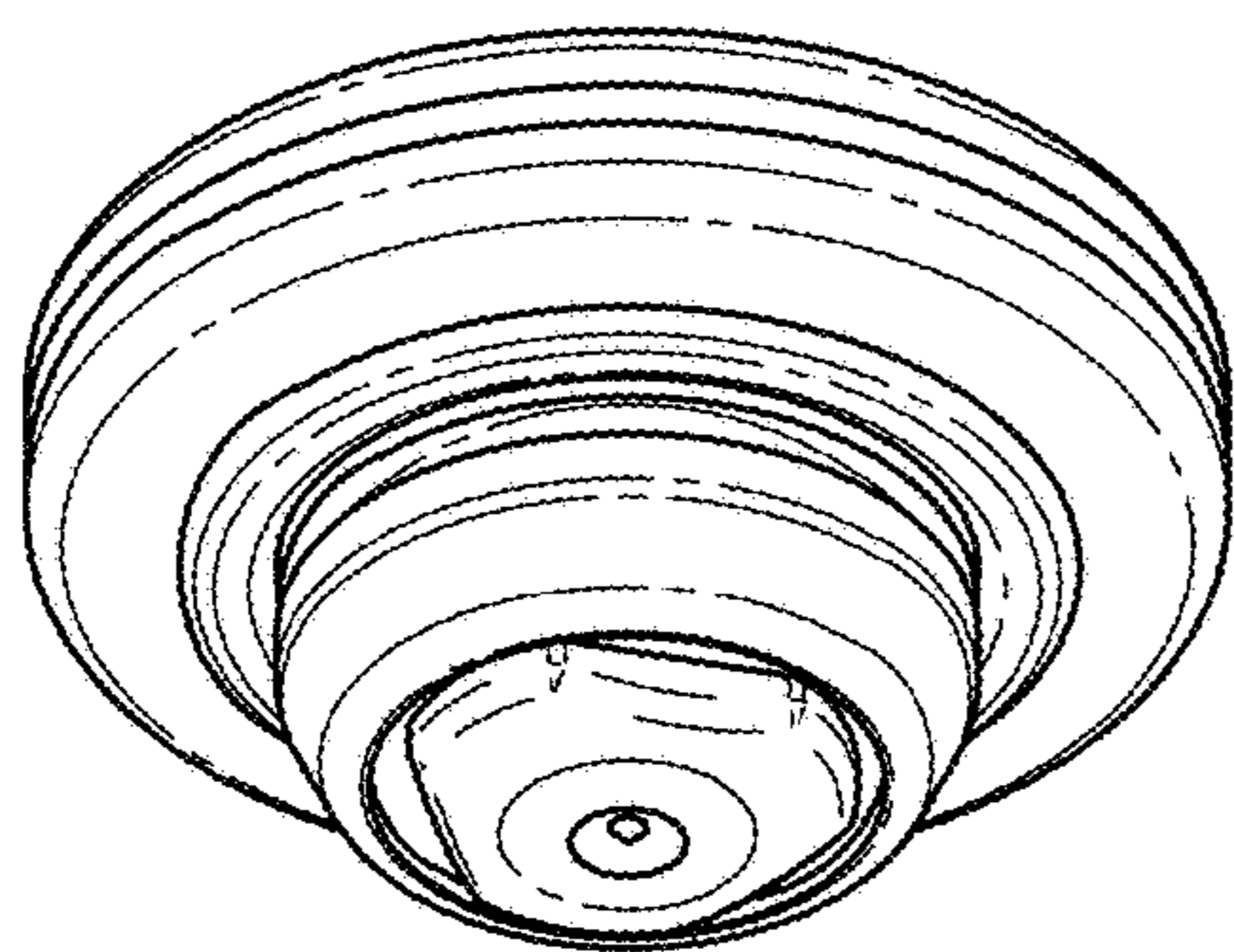


FIG. 6

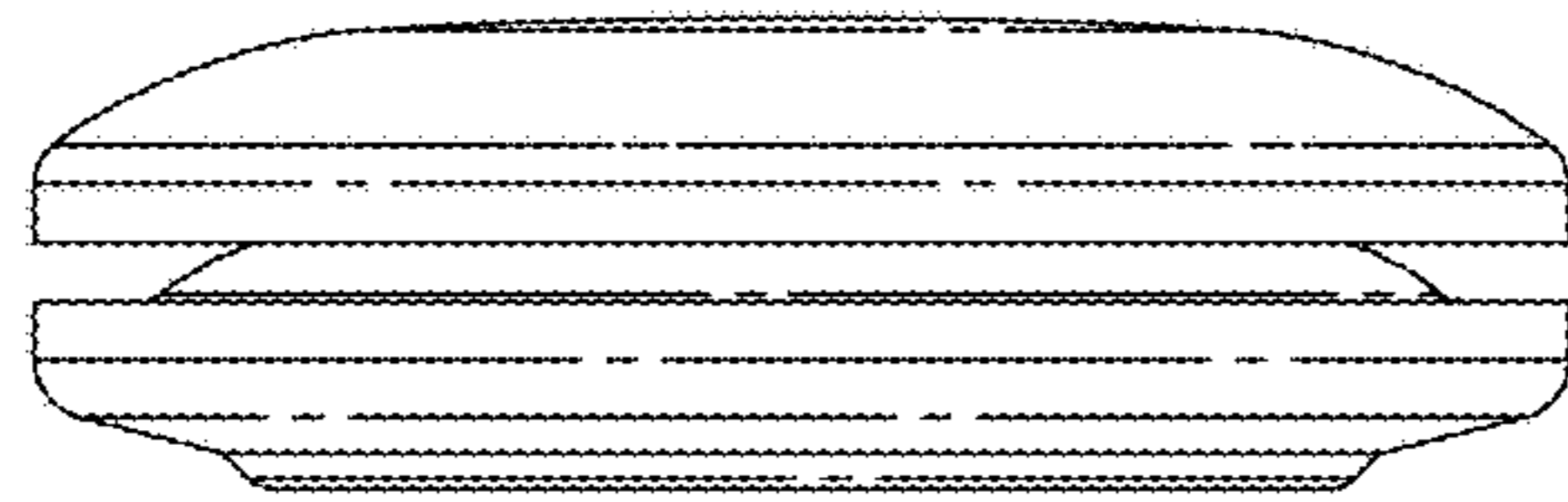


FIG. 7

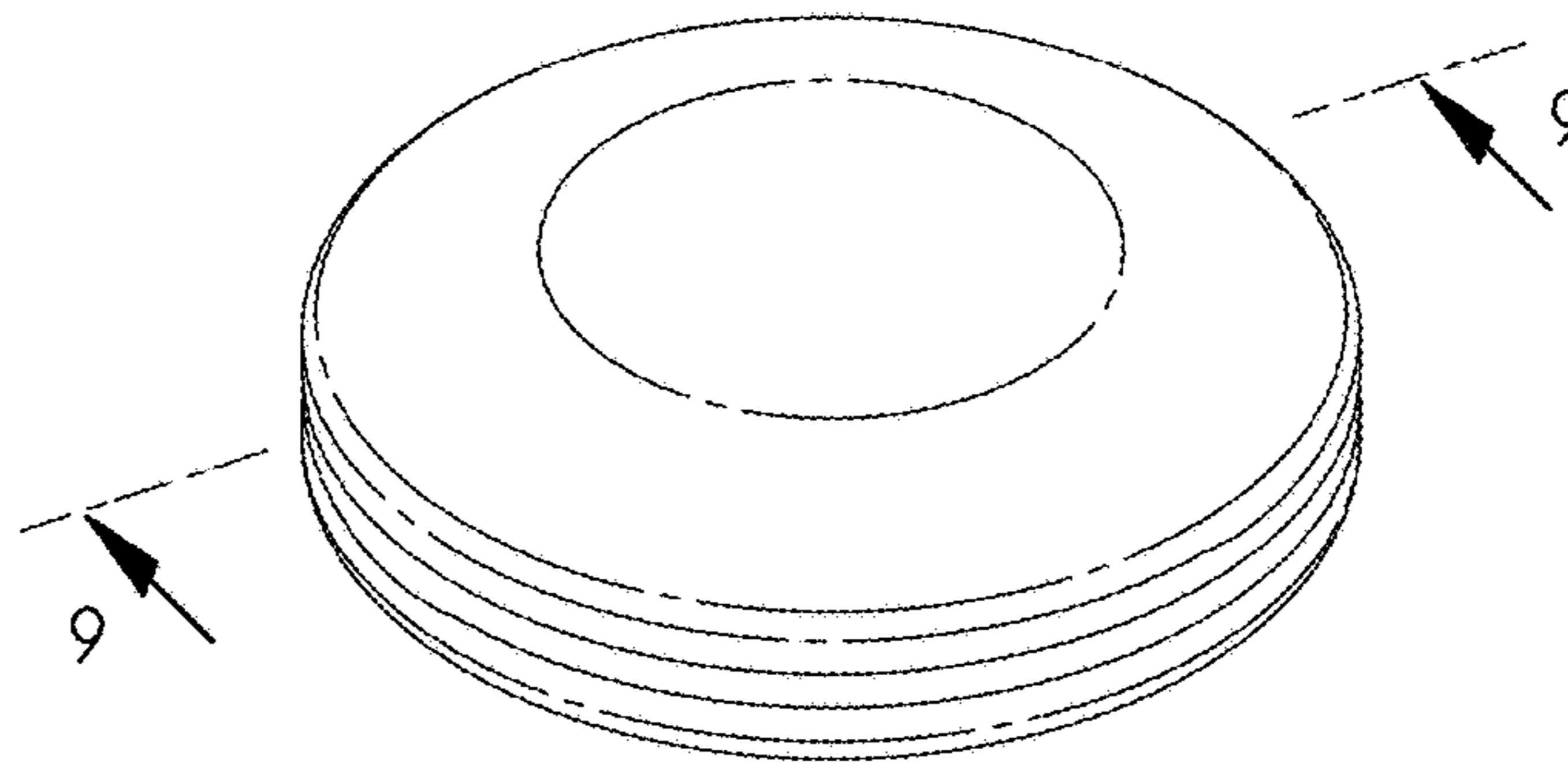


FIG. 8

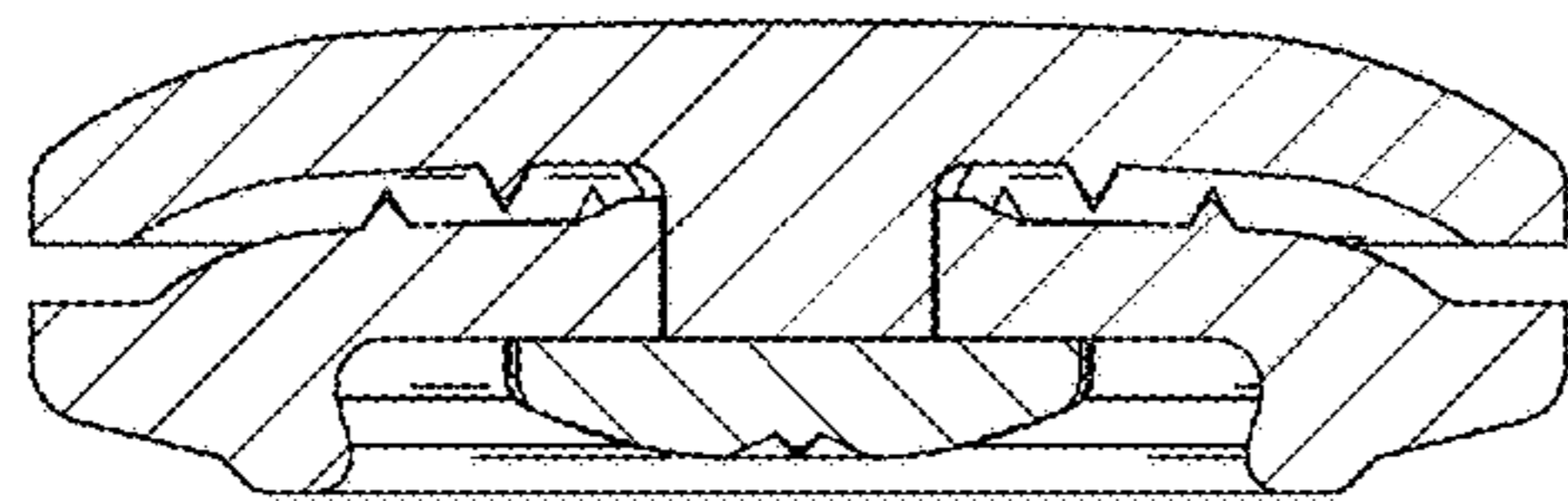


FIG. 9

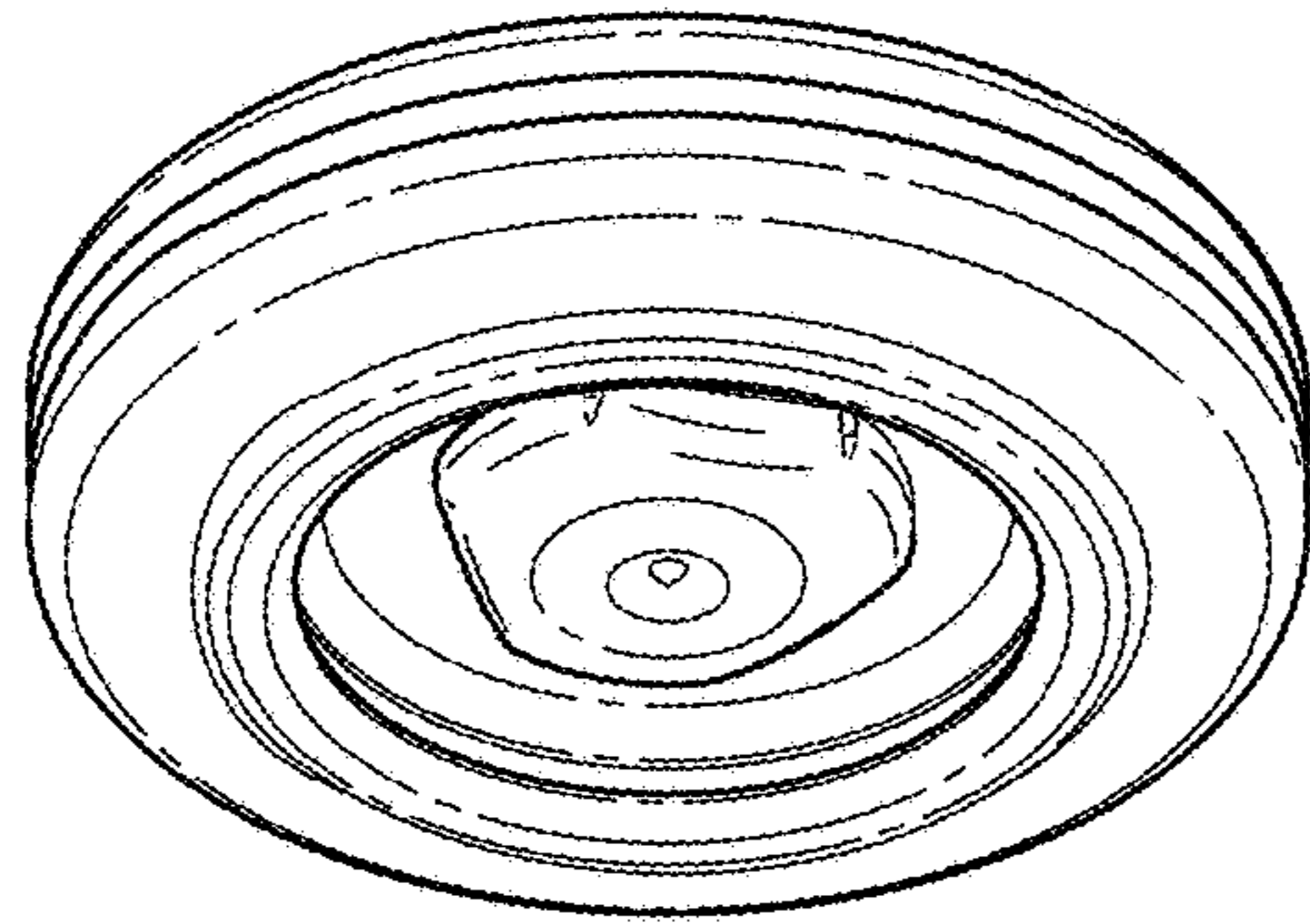


FIG. 10

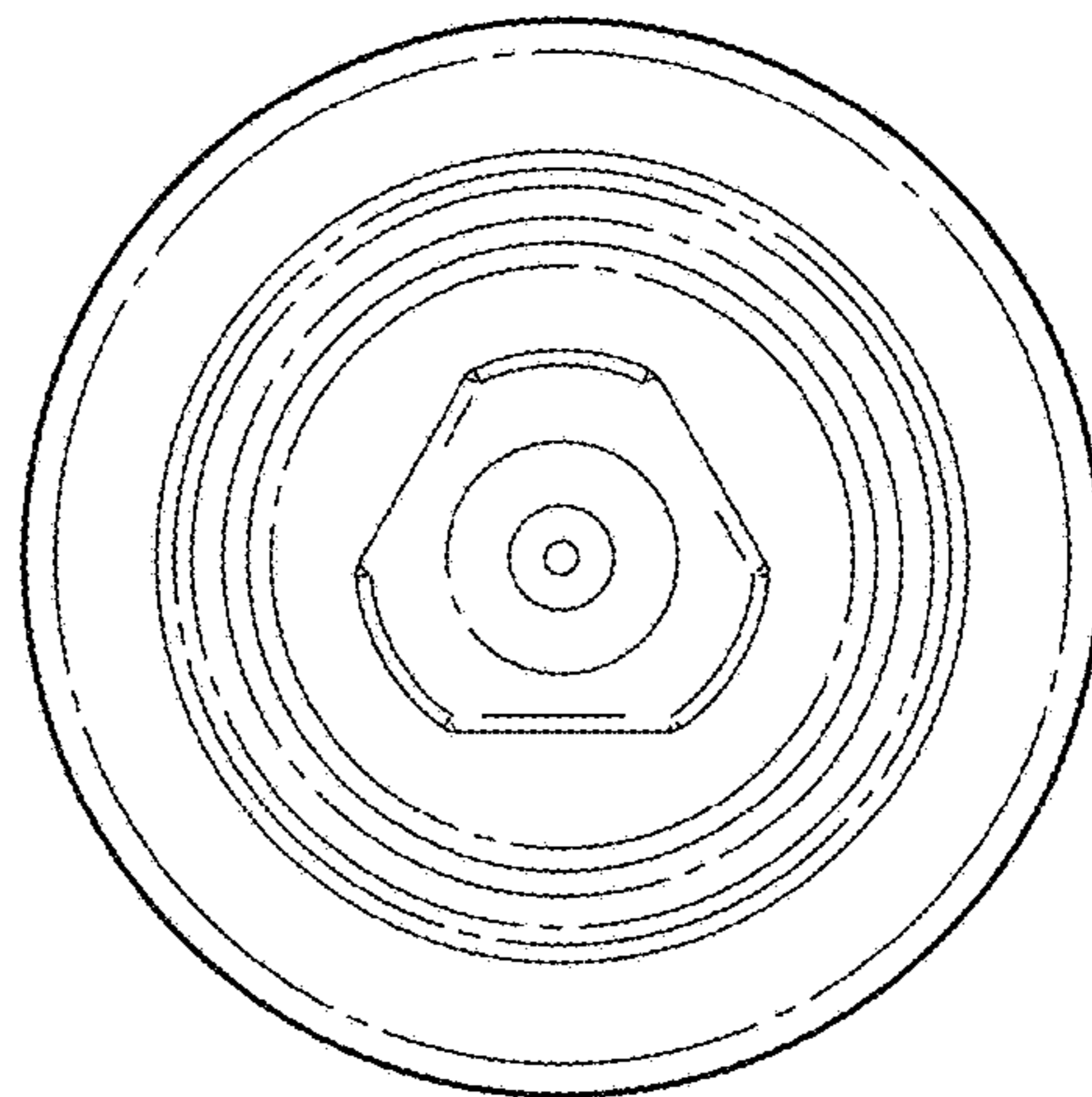


FIG. 11

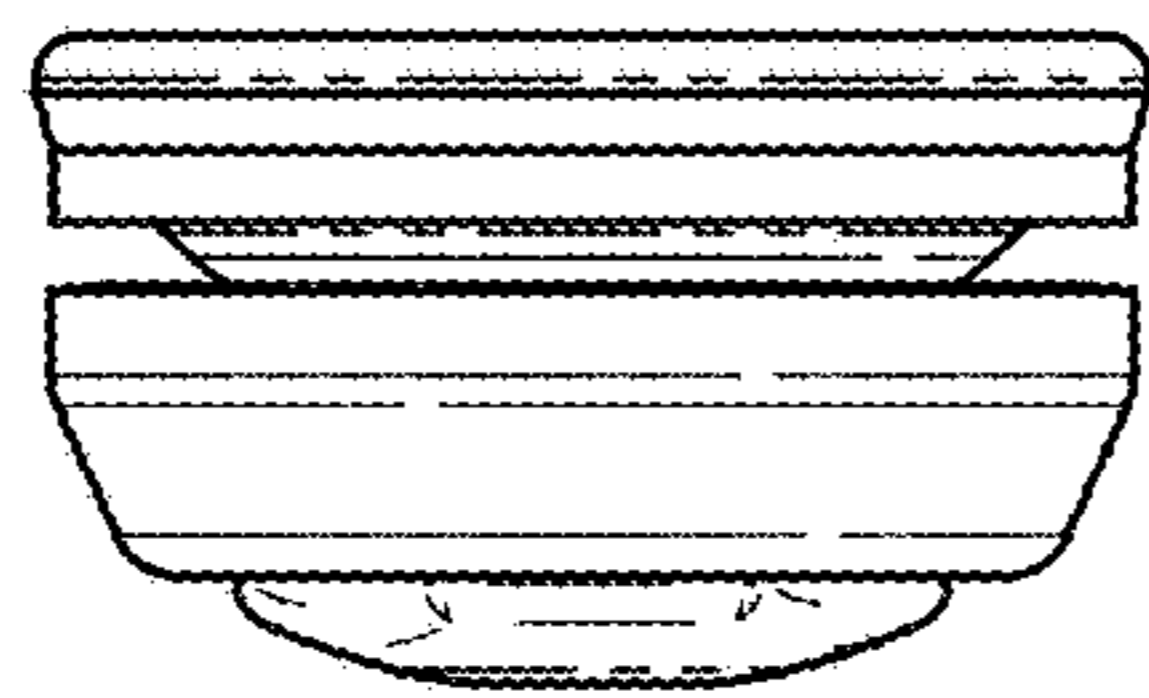


FIG. 12

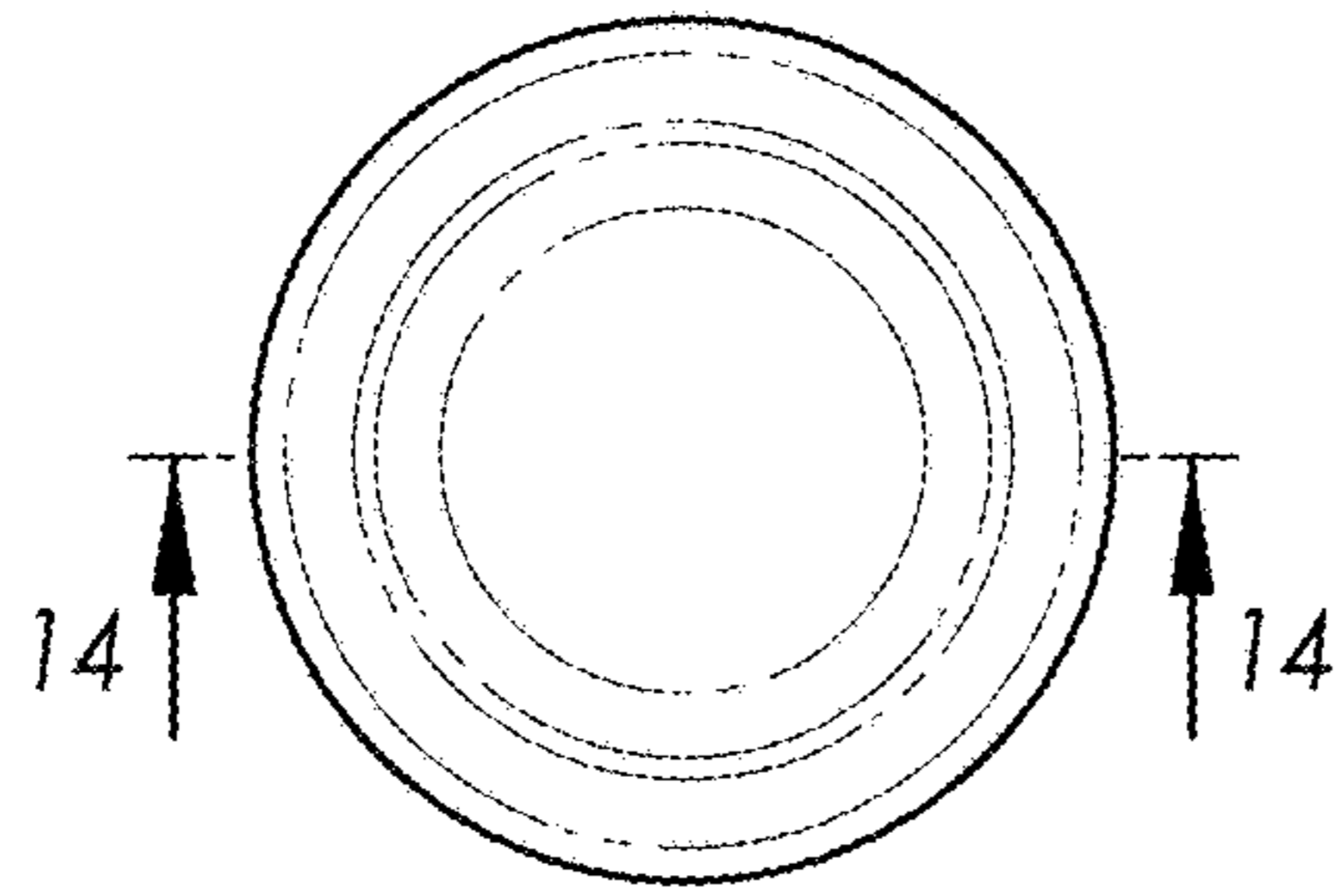


FIG. 13

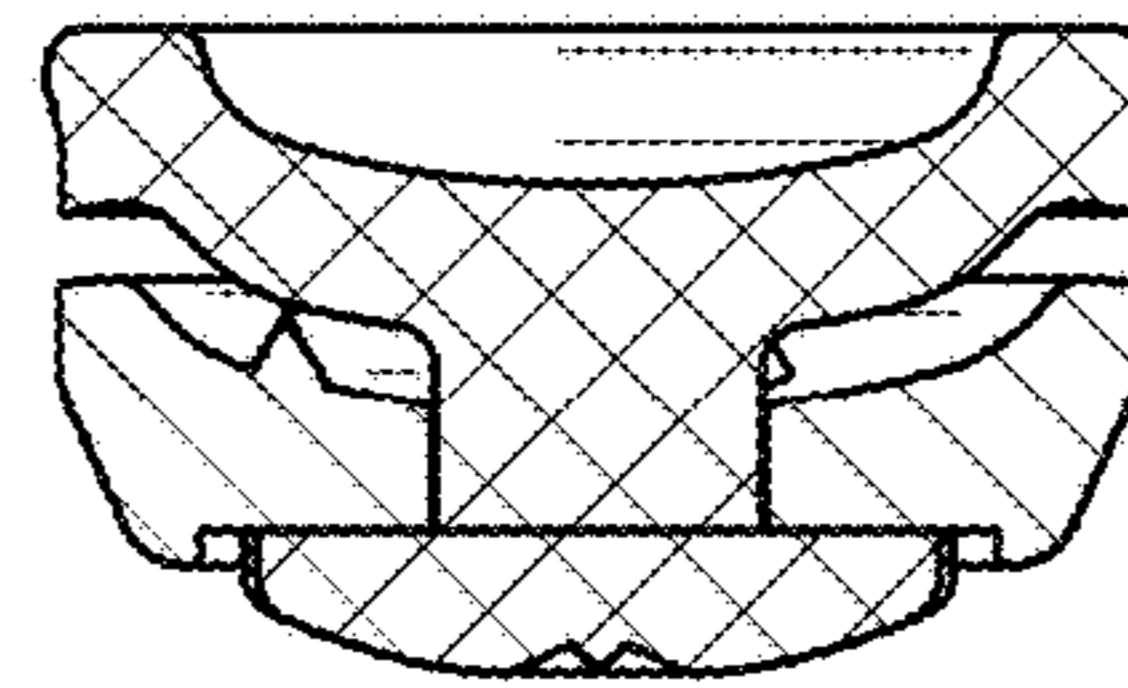


FIG. 14

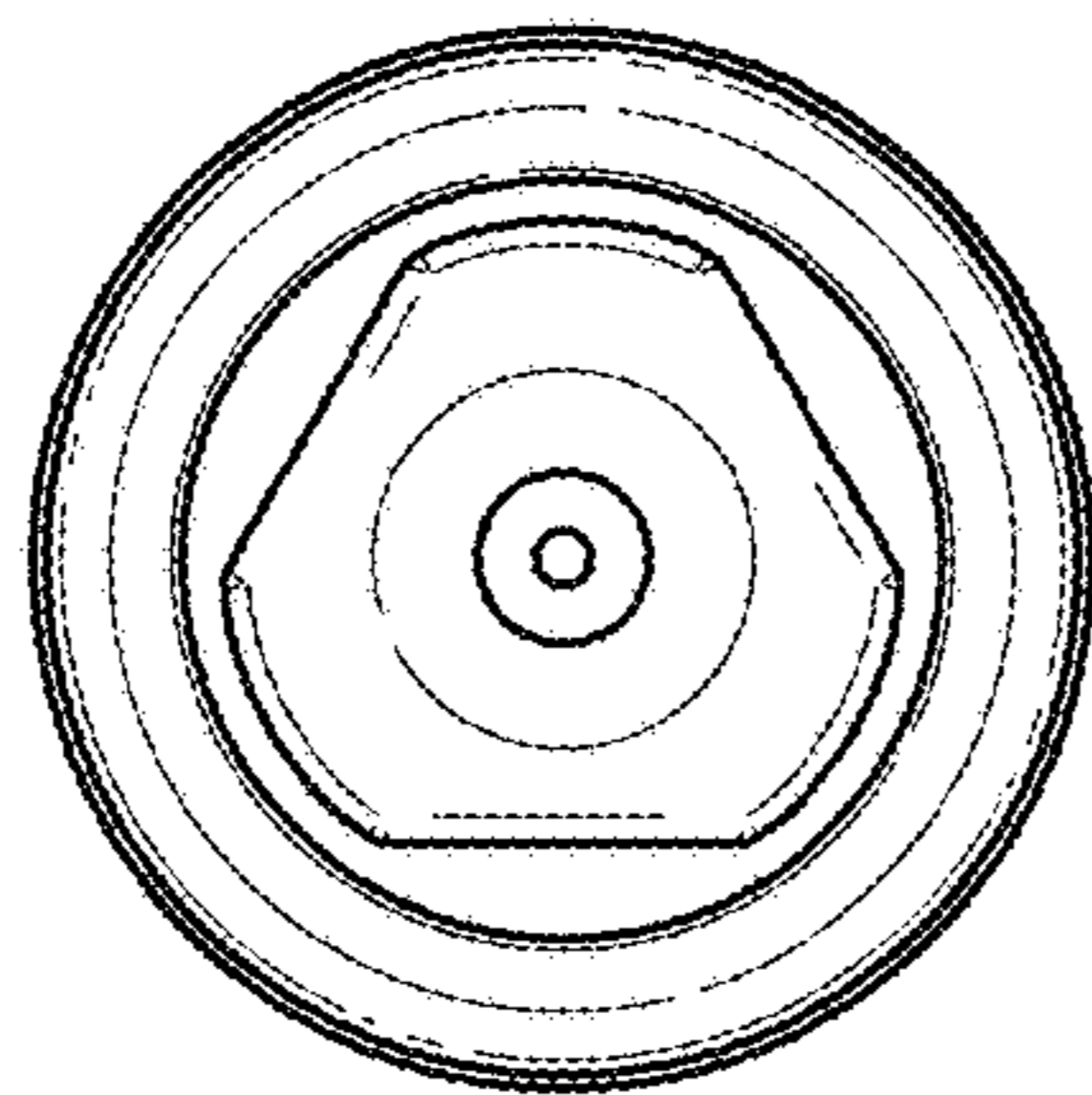


FIG. 15

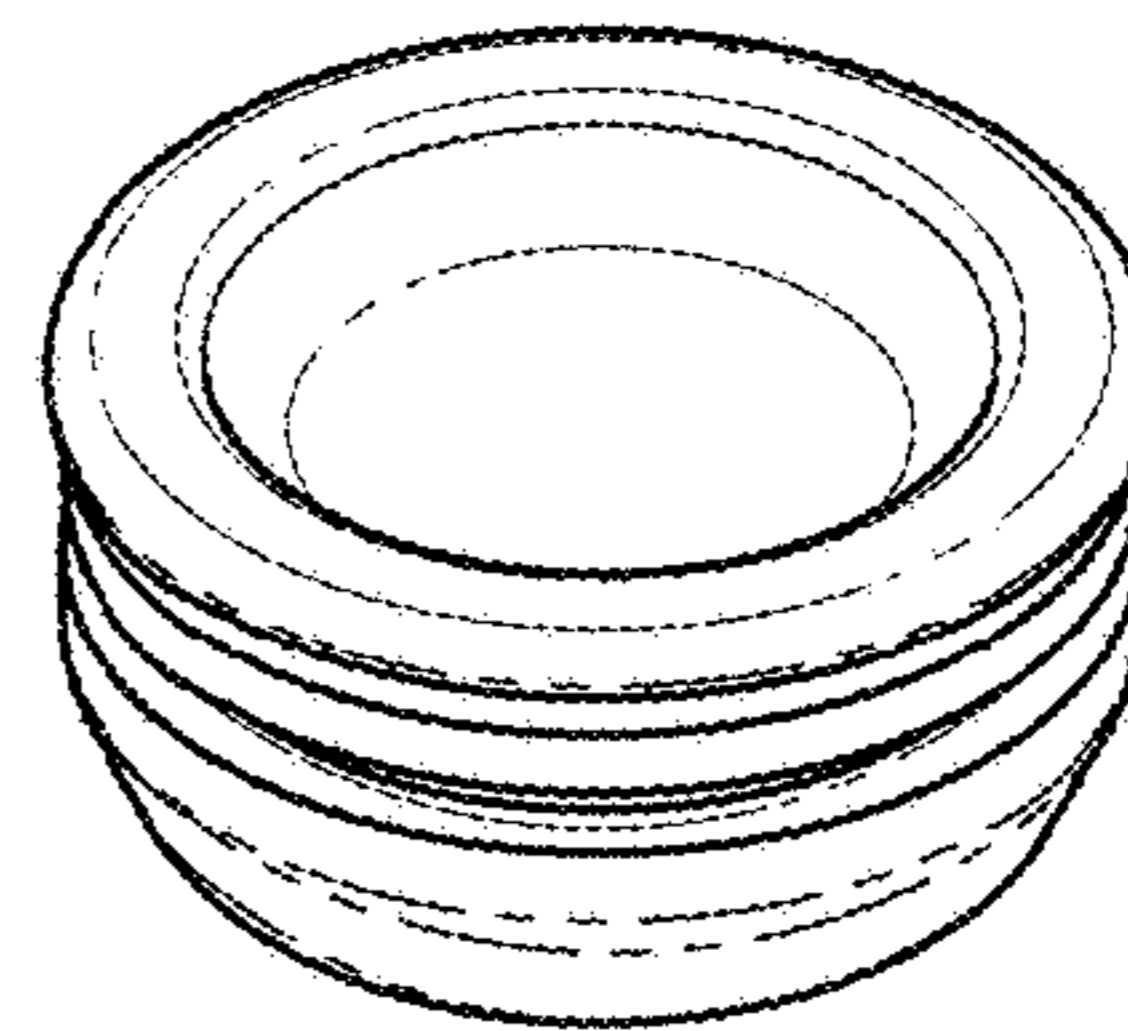


FIG. 16

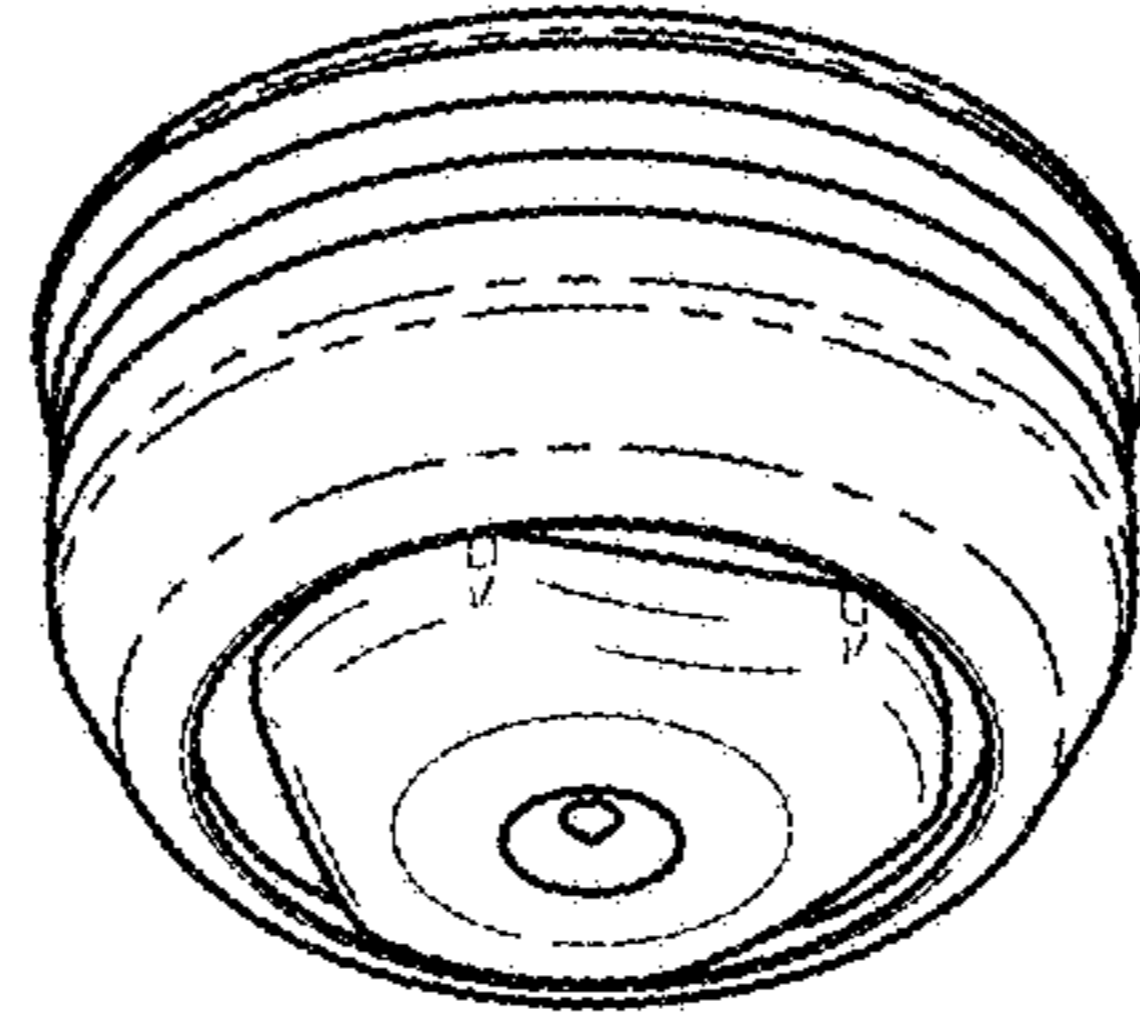


FIG. 17

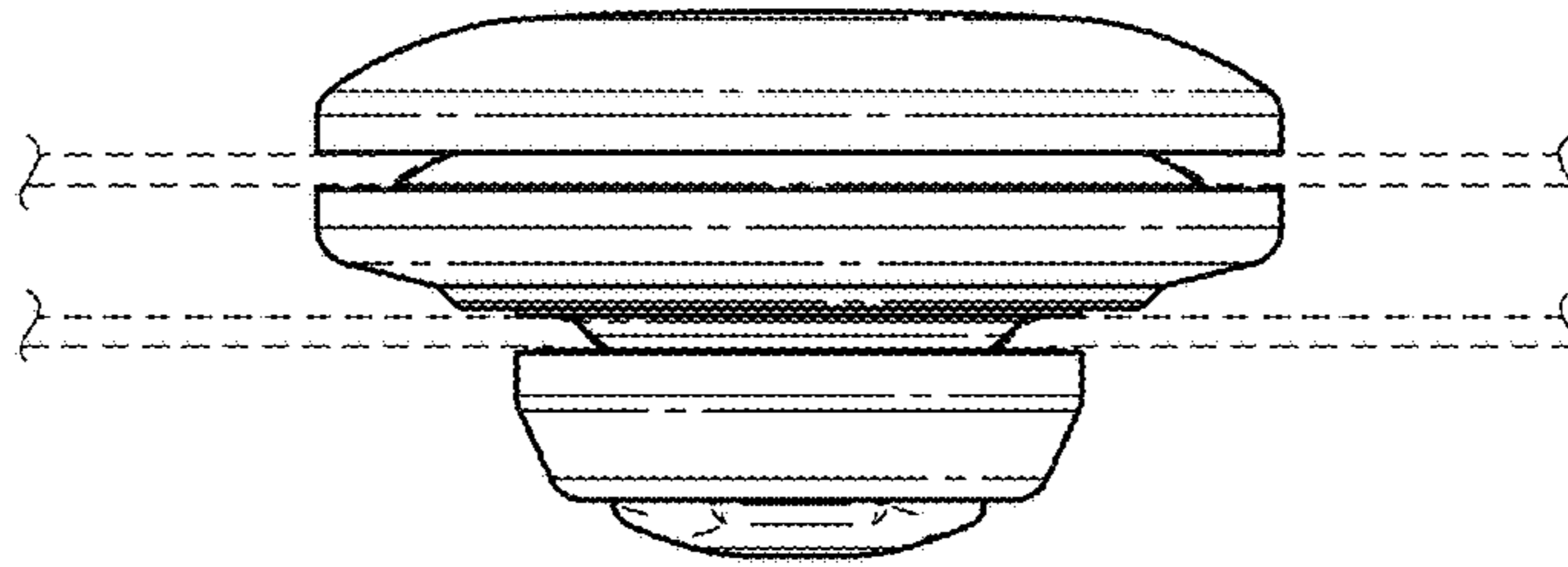


FIG. 18

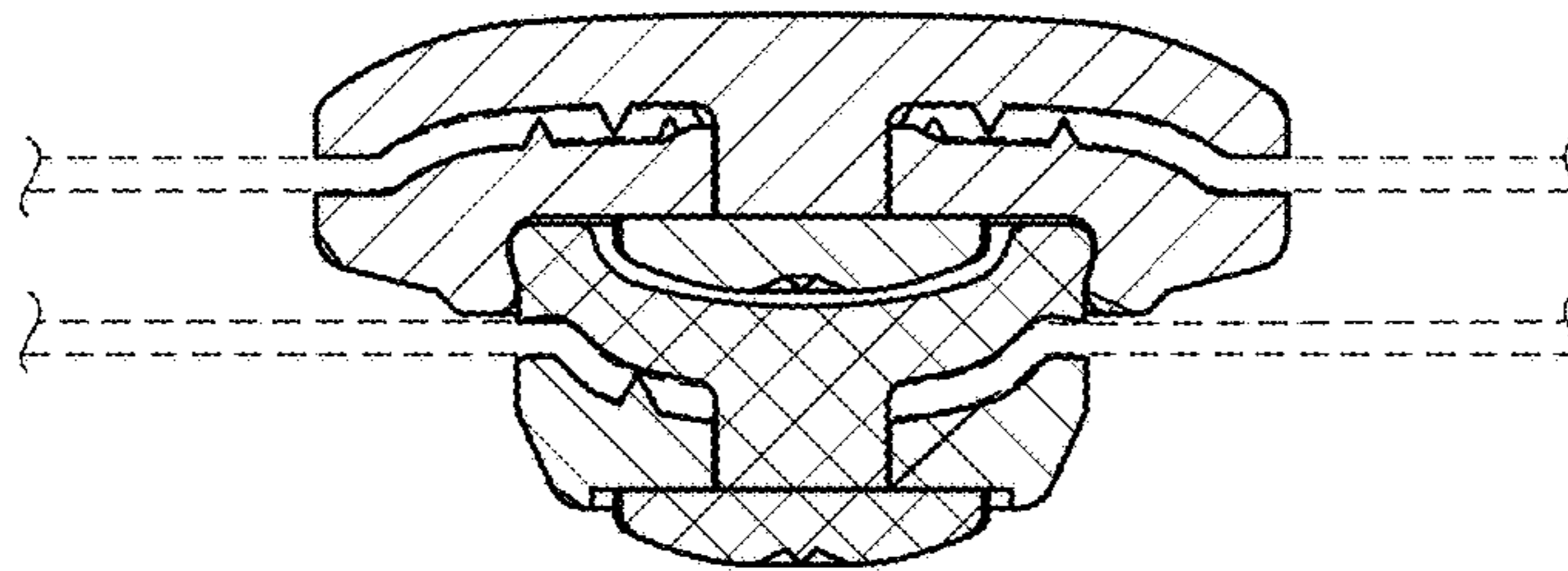


FIG. 19