



US00D845829S

(12) **United States Design Patent** (10) **Patent No.:** **US D845,829 S**
Sheridan (45) **Date of Patent:** **** Apr. 16, 2019**

(54) **CLIP**
(71) Applicant: **Brenna Enterprises**, Chicago, IL (US)
(72) Inventor: **Brenna Sheridan**, Chicago, IL (US)
(73) Assignee: **BRENNA ENTERPRISES**, Chicago, IL (US)
(**) Term: **15 Years**

D292,385 S * 10/1987 Udelhofen D11/210
D463,731 S * 10/2002 Striebel D8/373
D572,626 S * 7/2008 Merriam-Smith D11/200
D583,706 S * 12/2008 Gilbert D11/210
D603,293 S * 11/2009 Merriam-Smith D11/200
D665,292 S * 8/2012 Jackson D11/1
D701,109 S * 3/2014 Kelleghan D8/356
D717,692 S * 11/2014 Breen D11/210
D731,500 S * 6/2015 Shen D14/451
D763,541 S * 8/2016 Livas D1/120
9,635,894 B2 * 5/2017 Breen A41F 15/02

* cited by examiner

(21) Appl. No.: **29/625,316**
(22) Filed: **Nov. 8, 2017**
(51) **LOC (11) Cl.** **02-07**
(52) **U.S. Cl.**
USPC **D11/210**
(58) **Field of Classification Search**
USPC D11/1-2, 200-201, 206-210, 214-218;
24/163 R, 169-171, 173, 177-179, 191,
24/194-195, 197, 200, 614-616, 625,
24/698.2, 198, 578.11, 578.1, 163 K, 114;
D2/853, 624
CPC A44B 11/26; A44B 11/25; A44B 11/06;
A44B 11/266; A44B 11/04; A44B 11/01;
A44B 11/001; A44B 11/10
See application file for complete search history.

Primary Examiner — Ralf Seifert
(74) *Attorney, Agent, or Firm* — McAndrews, Held & Malloy, Ltd.

(57) **CLAIM**

The ornamental design clip, as shown and described.

DESCRIPTION

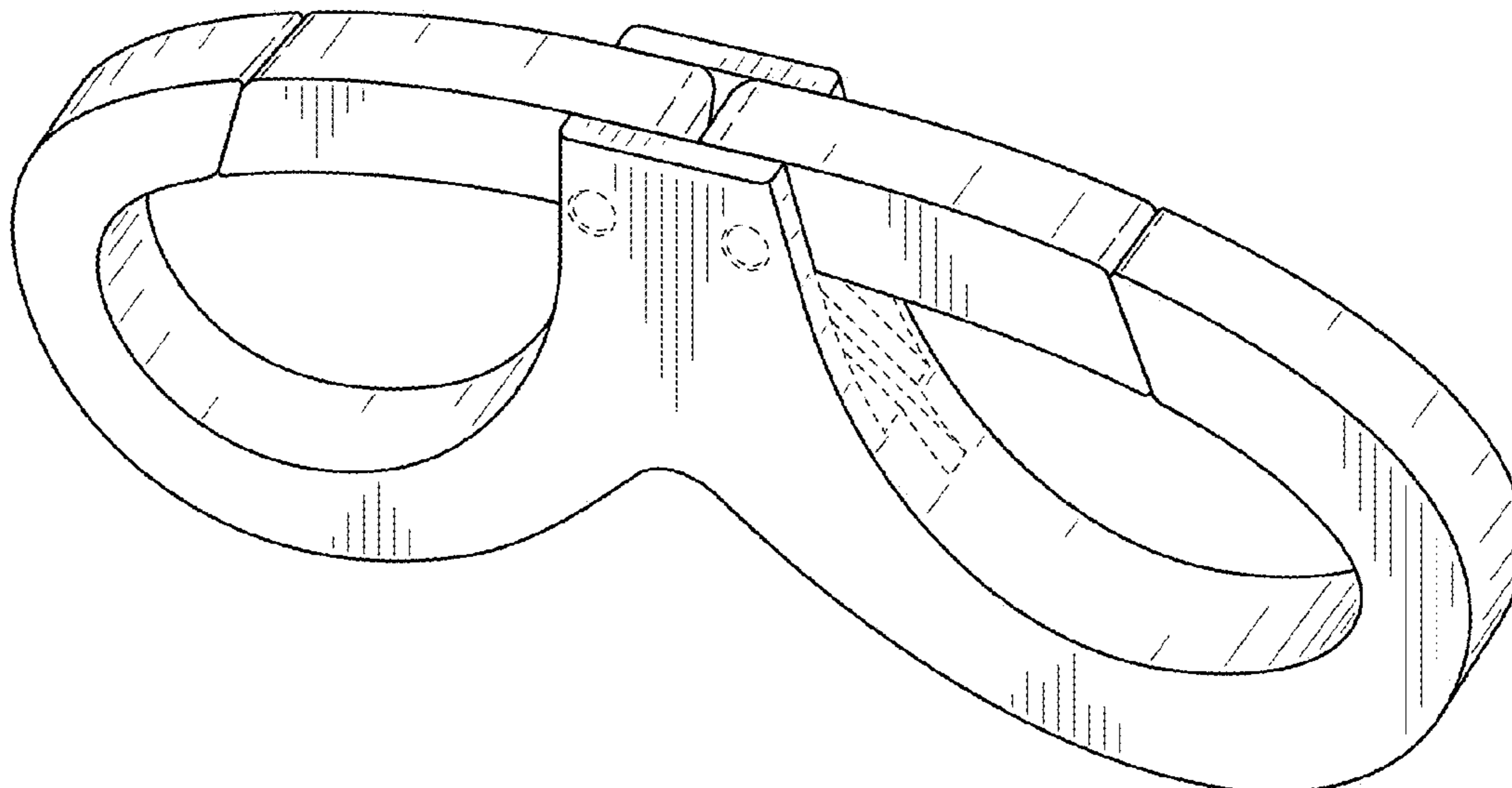
FIG. 1 is a front perspective view of a clip showing our new design;
FIG. 2 is a front elevation view thereof;
FIG. 3 is a rear elevation view thereof;
FIG. 4 is a left side elevation view thereof;
FIG. 5 is a right side elevation view thereof;
FIG. 6 is a top plan view thereof;
FIG. 7 is a bottom plan view thereof; and,
FIG. 8 is another front perspective view thereof showing both sides of the clip in an open position.
The dashed broken lines in the drawings illustrate portions of the clip that form no part of the claimed design.

(56) **References Cited**

U.S. PATENT DOCUMENTS

1,476,583 A * 12/1923 Beard B60C 27/08
24/582.12
4,135,693 A * 1/1979 Miavitz F16B 45/00
24/698.2

1 Claim, 3 Drawing Sheets



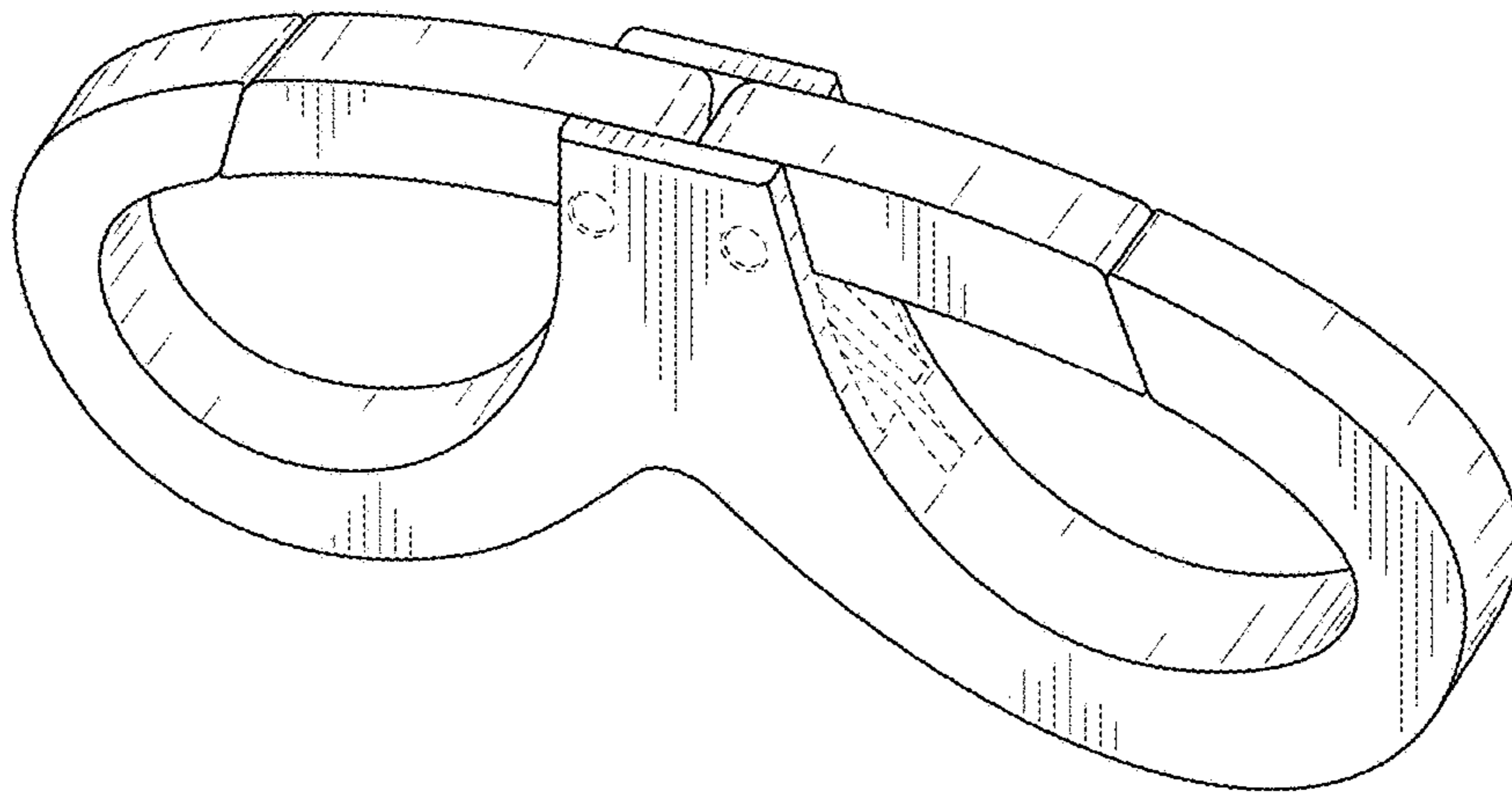


FIG. 1

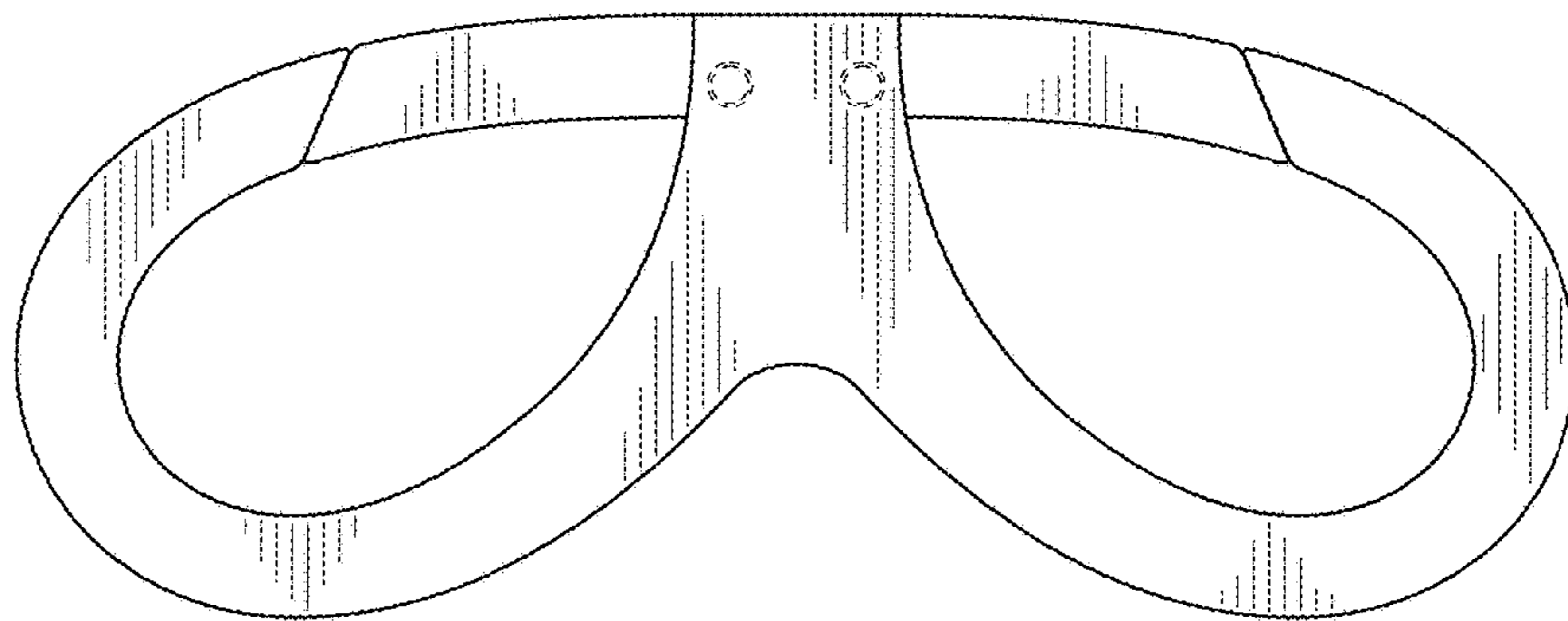


FIG. 2

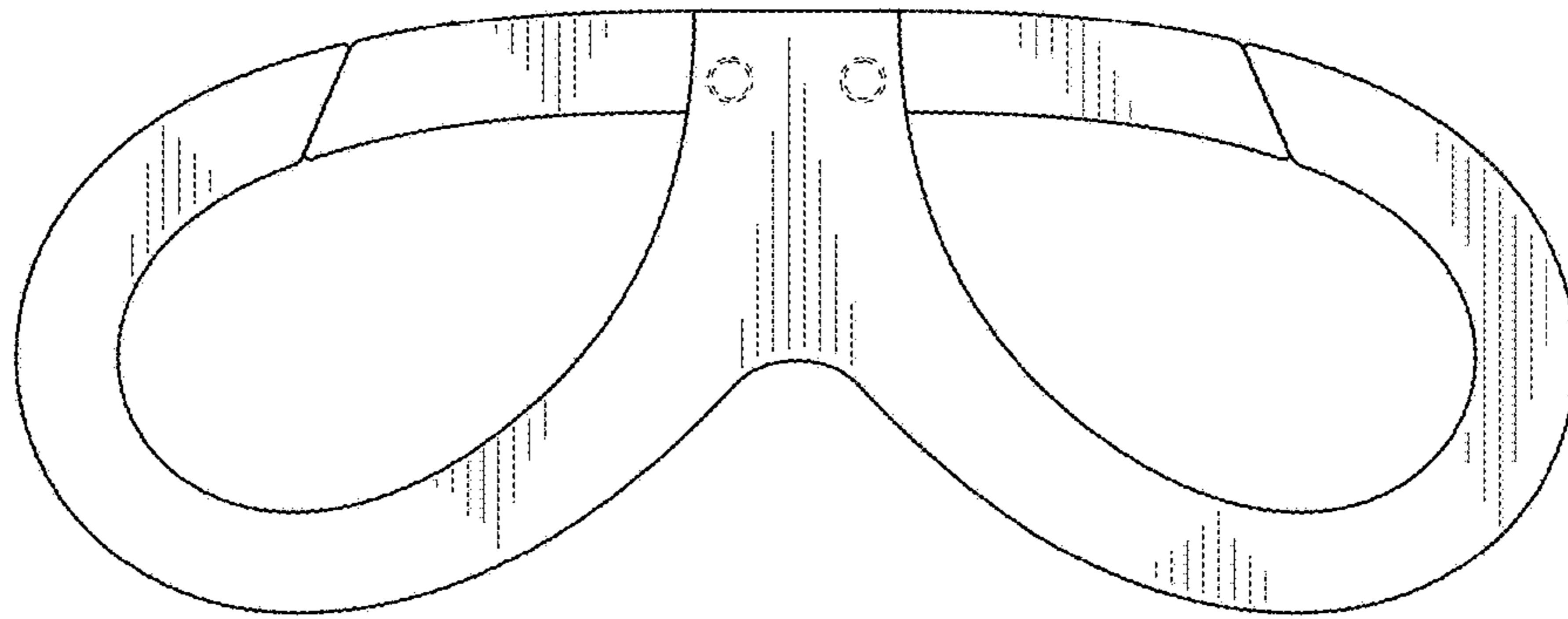


FIG. 3

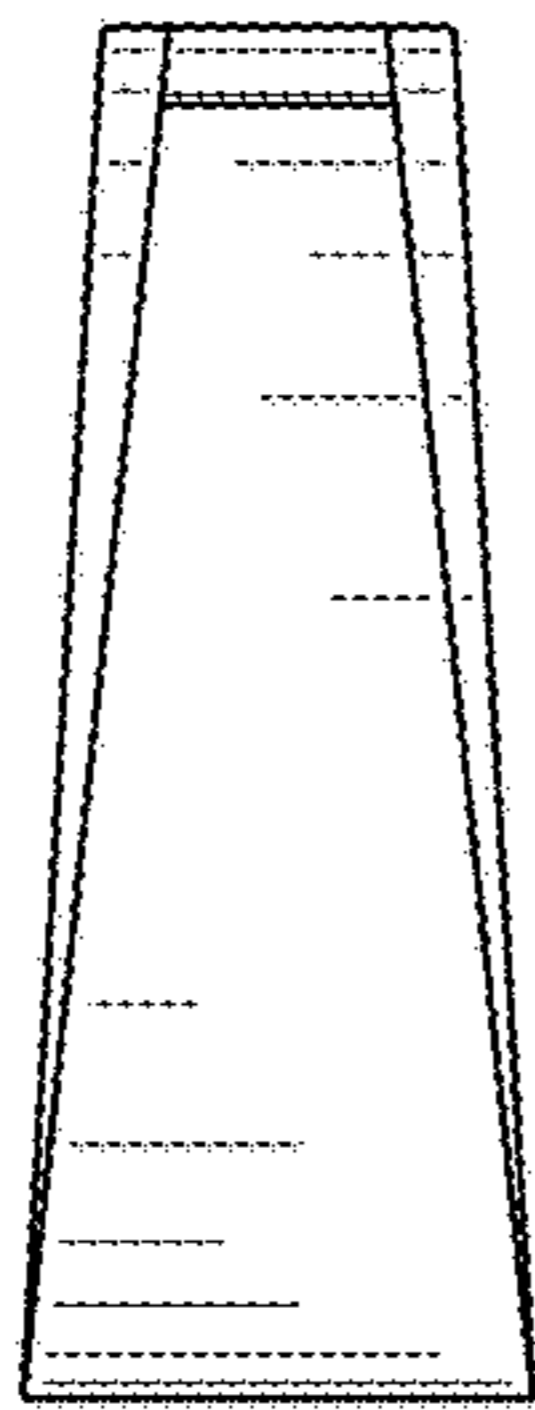


FIG. 4

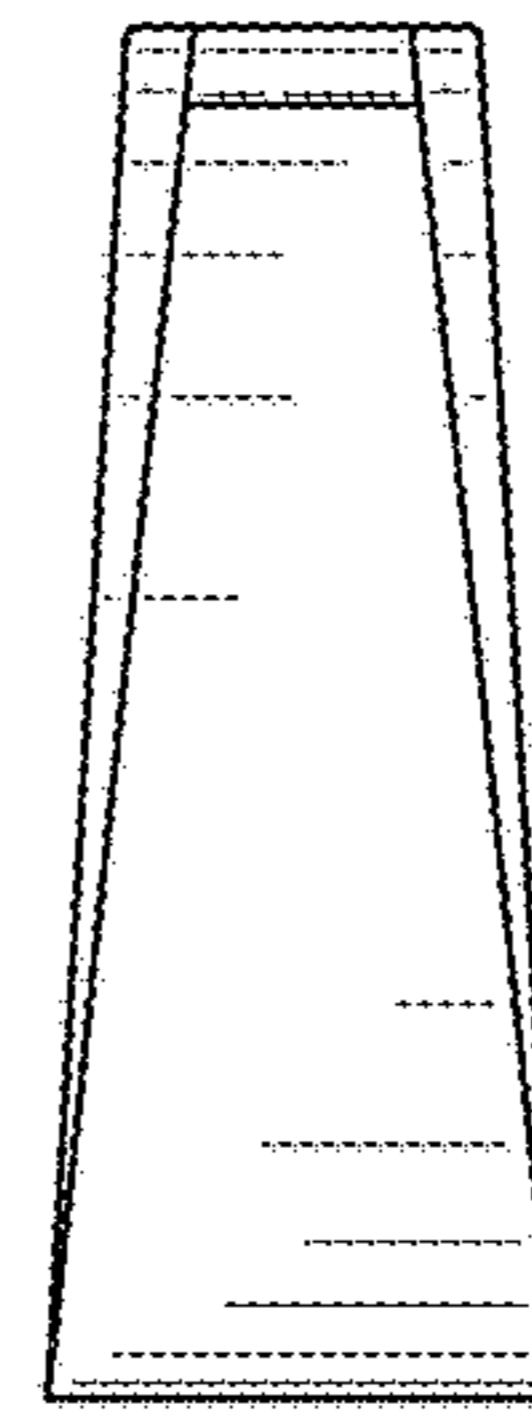


FIG. 5

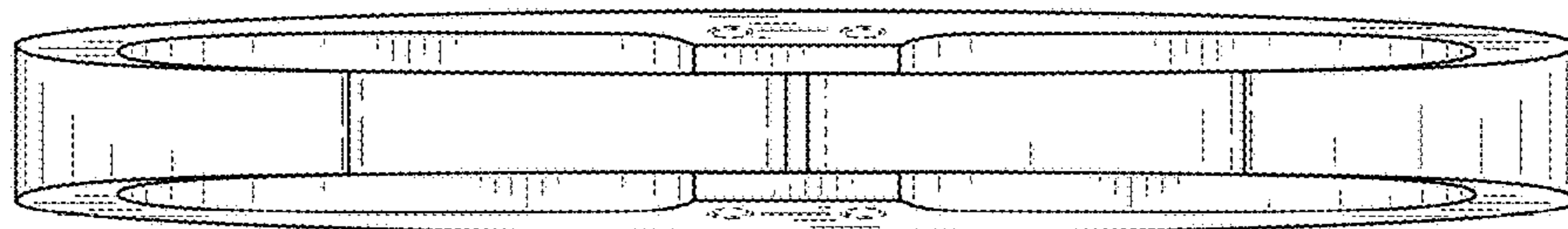


FIG. 6

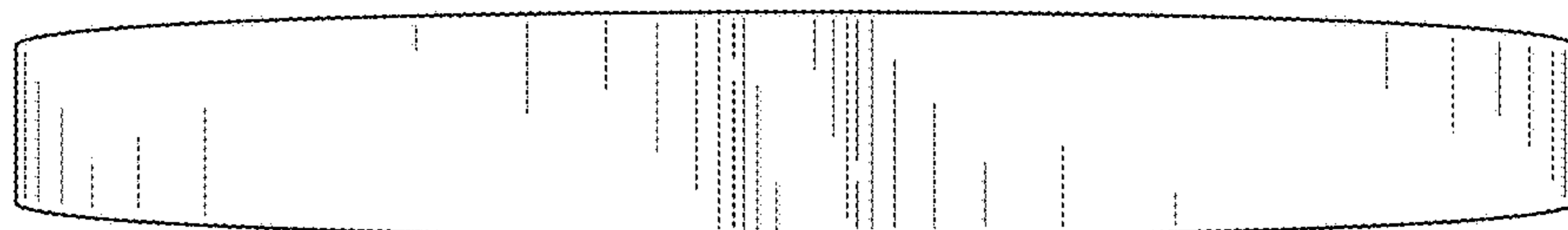


FIG. 7

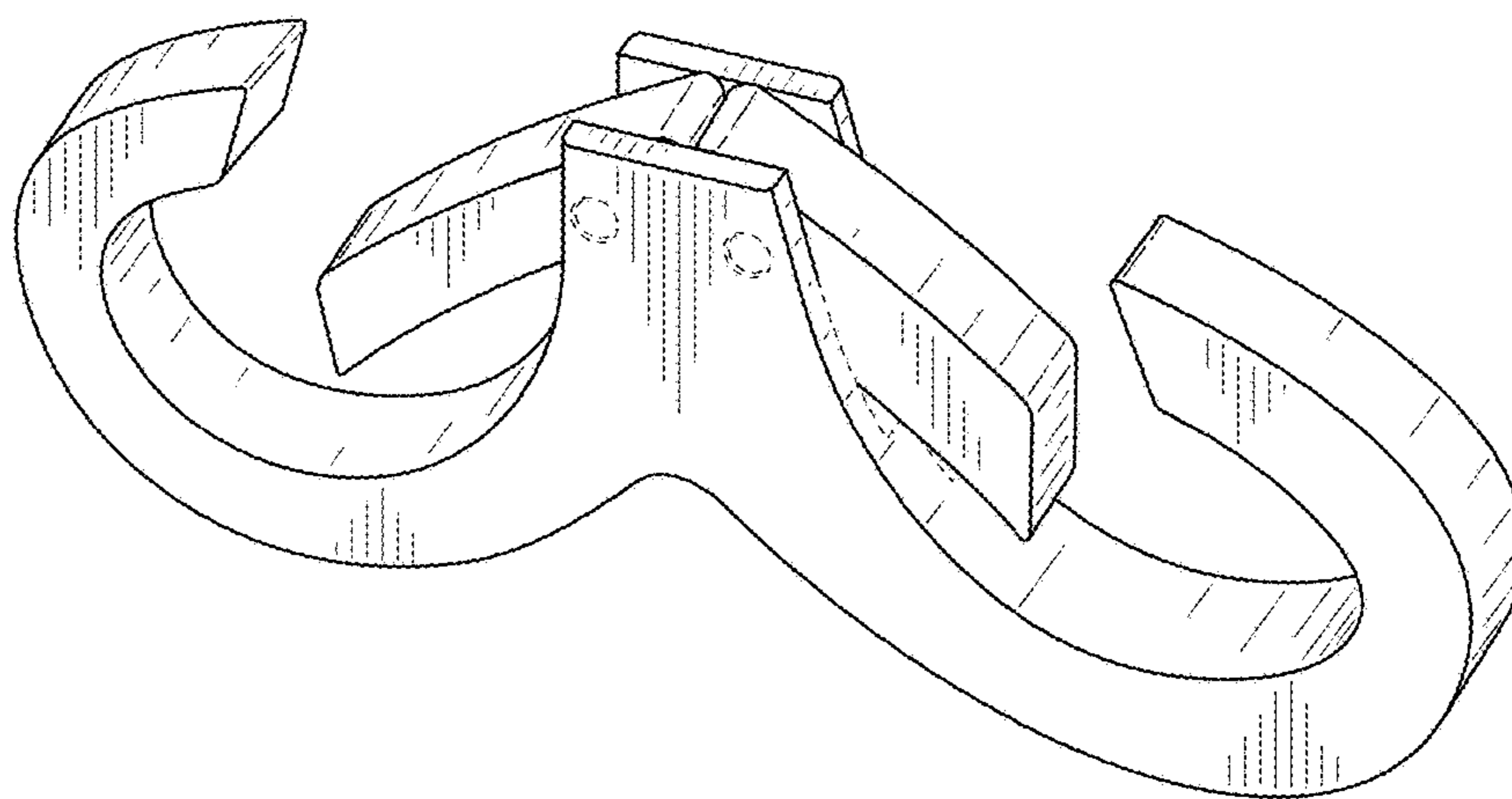


FIG. 8