



US00D845828S

(12) **United States Design Patent**
Fung

(10) **Patent No.:** **US D845,828 S**
(45) **Date of Patent:** **** Apr. 16, 2019**

(54) **EYELET FOR FASTENING**
(71) Applicant: **MULTI TREND CORPORATION LIMITED**, Kowloon (HK)
(72) Inventor: **Wing Leung Fung**, Kowloon (HK)
(73) Assignee: **MULTI TREND CORPORATION LIMITED**, Hong Kong (HK)

D566,612 S * 4/2008 Gut D11/90
D567,142 S * 4/2008 Gut D11/208
7,618,305 B2 * 11/2009 Gut A44B 13/0052
24/697.1
7,918,711 B2 * 4/2011 Yeung A41F 1/006
24/592.1
8,359,718 B2 * 1/2013 Yeung A41F 1/006
24/591.1
D763,132 S * 8/2016 Karunaratne D11/208
D813,721 S * 3/2018 Krupa D11/208
D815,391 S * 4/2018 Zheng D2/706
D826,084 S * 8/2018 Karunaratne D11/208
2013/0068147 A1 * 3/2013 Cheung A41F 1/006
112/406

(**) Term: **15 Years**
(21) Appl. No.: **29/624,257**

* cited by examiner

(22) Filed: **Oct. 31, 2017**
(51) **LOC (11) Cl.** **02-07**
(52) **U.S. Cl.**
USPC **D11/208**
(58) **Field of Classification Search**
USPC D11/1-2, 200-220; 24/697, 163 R,
24/169-173, 177-179, 191, 194-195,
24/197, 200, 614-616, 625, 198, 698.2,
24/630; D8/349, 395; 2/321; 112/406
CPC A44B 11/26; A44B 11/25; A44B 13/0058
See application file for complete search history.

Primary Examiner — Ralf Seifert

(74) *Attorney, Agent, or Firm* — Ware, Fressola, Maguire & Barber LLP

(57) **CLAIM**

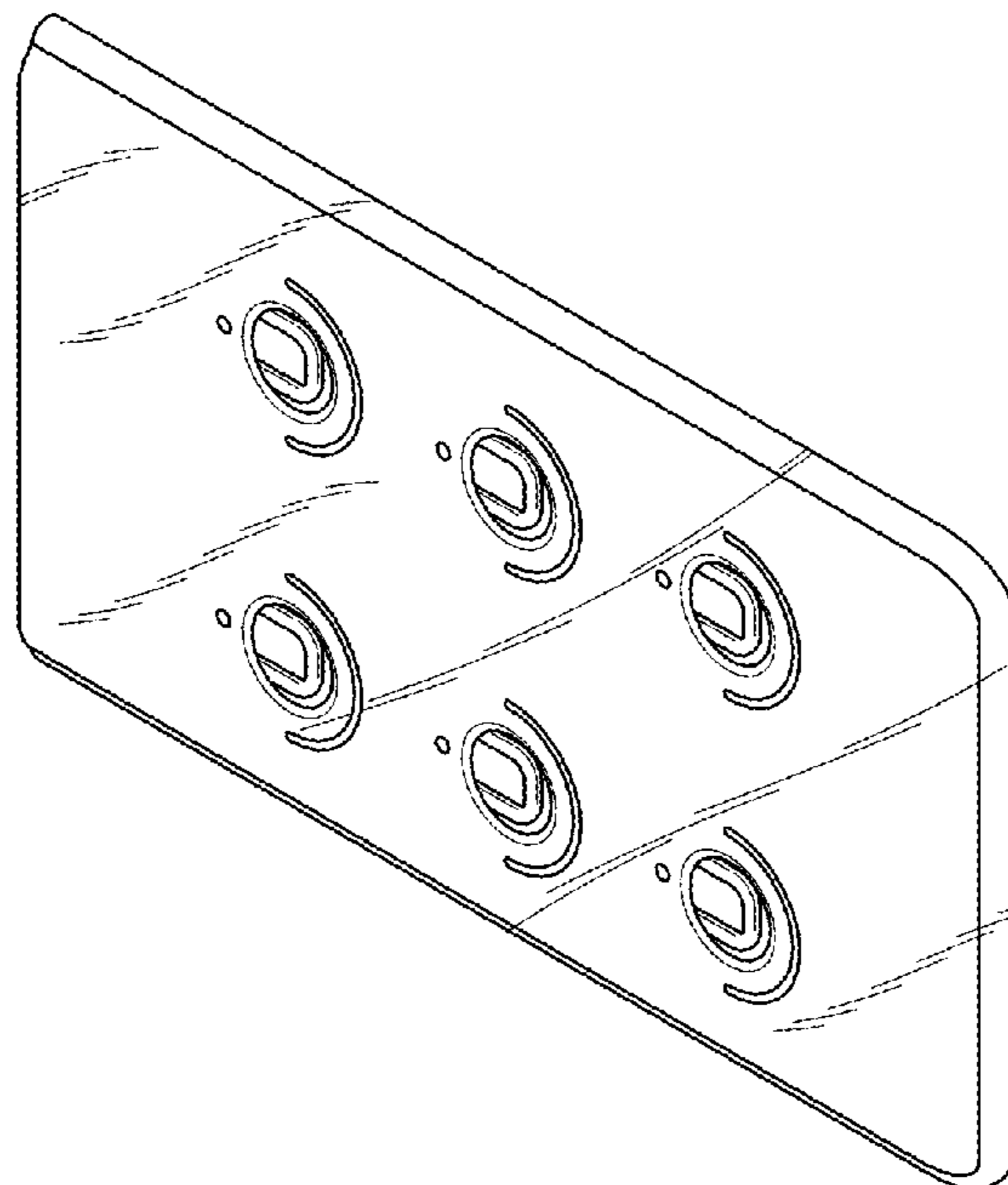
I claim the ornamental design for an eyelet for fastening, as shown and described.

DESCRIPTION

FIG. 1 is a front perspective view of an eyelet for fastening;
FIG. 2 is a front view thereof;
FIG. 3 is a left side view thereof;
FIG. 4 is a top view thereof;
FIG. 5 is a rear view thereof;
FIG. 6 is a right side view thereof; and,
FIG. 7 is a bottom view thereof.

(56) **References Cited**
U.S. PATENT DOCUMENTS
6,520,832 B2 * 2/2003 Devita A41F 1/006
2/251
D530,648 S * 10/2006 Utaka D11/208

1 Claim, 3 Drawing Sheets



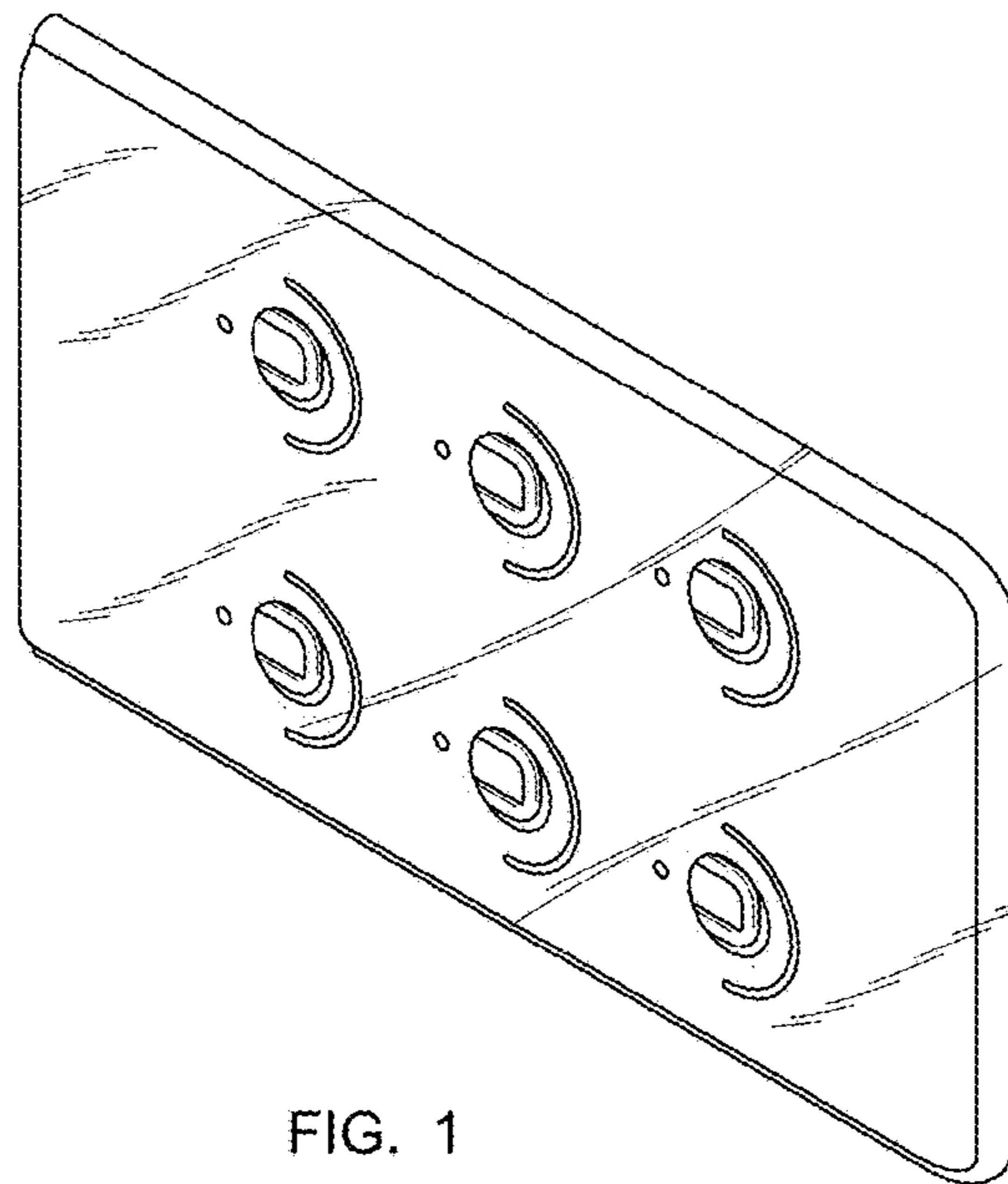


FIG. 1

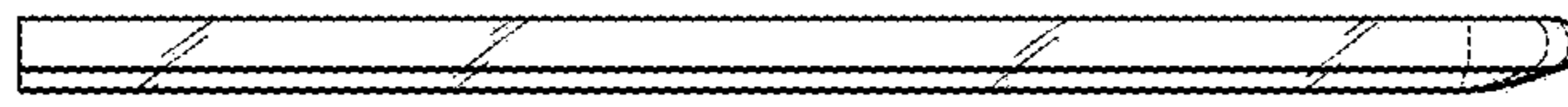


FIG. 4

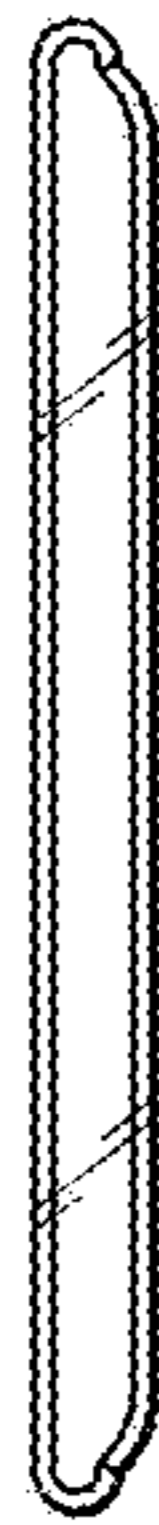


FIG. 3

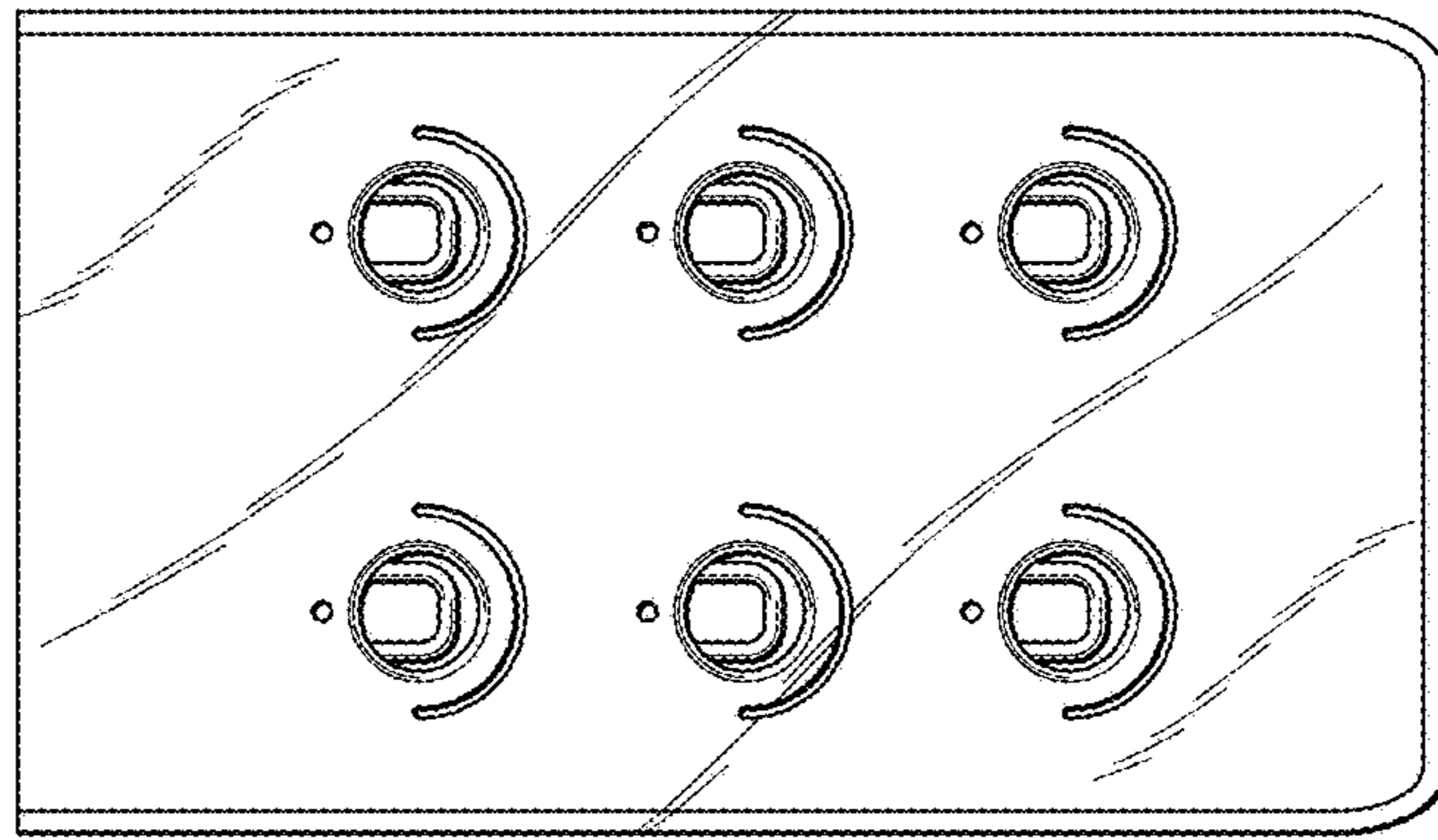


FIG. 2

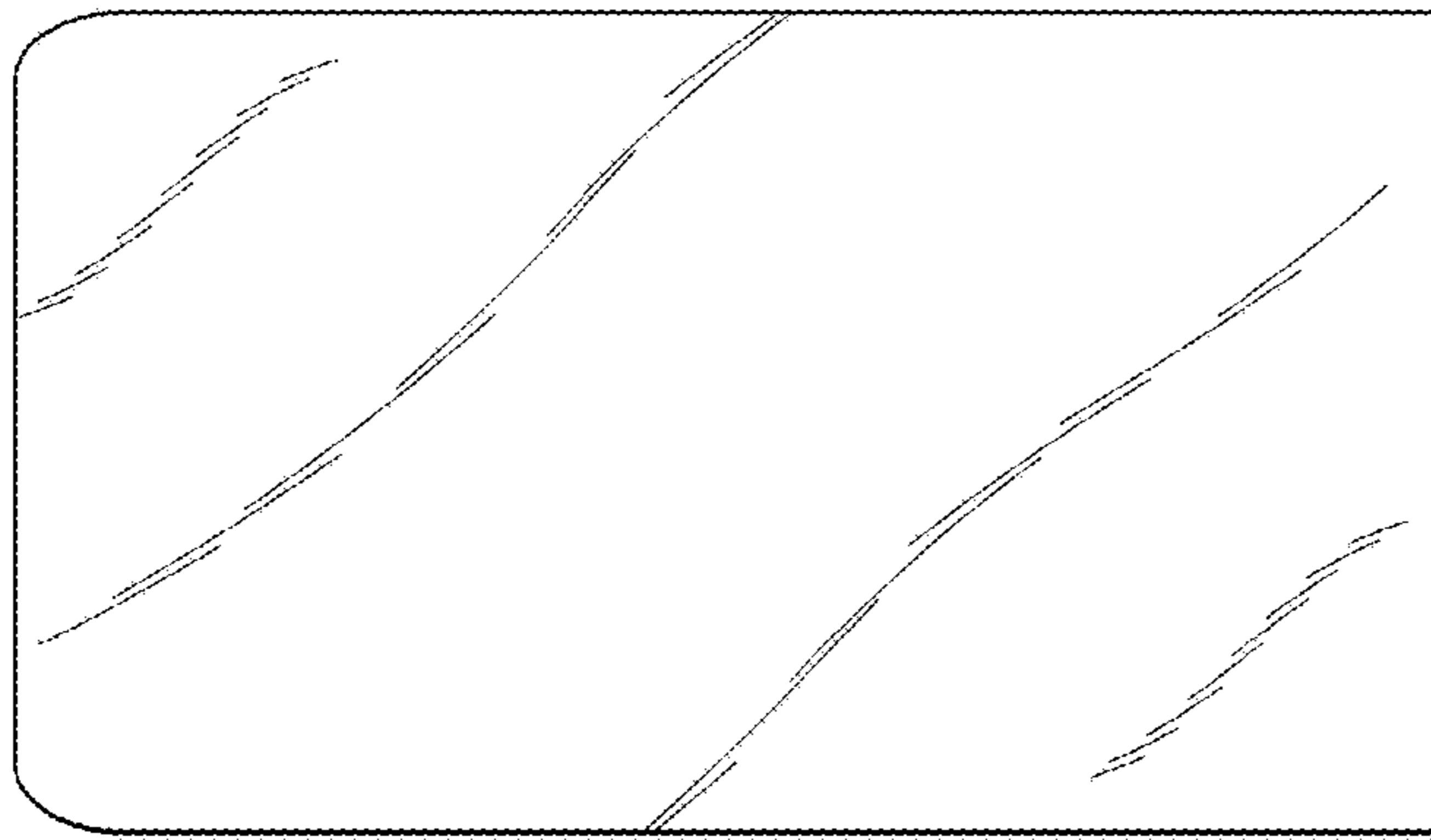


FIG. 5



FIG. 6

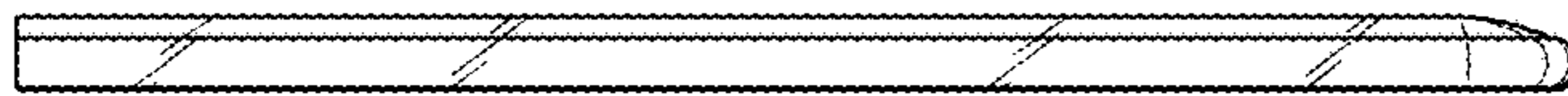


FIG. 7