



US00D845822S

(12) **United States Design Patent** (10) **Patent No.:** **US D845,822 S**
Bhansali et al. (45) **Date of Patent:** **** *Apr. 16, 2019**

- (54) **JEWELRY STONE SETTING** D485,509 S * 1/2004 Shagalov A44C 17/04 D11/91
- (71) Applicants: **Baiju Bhansali**, New York, NY (US);
Joseph Weinreich, New York, NY (US) D508,867 S 8/2005 Shum
- (72) Inventors: **Baiju Bhansali**, New York, NY (US);
Joseph Weinreich, New York, NY (US) D618,132 S 6/2010 Wong et al.
- (73) Assignee: **DDLNYC LLC**, New York, NY (US) D623,980 S * 9/2010 Yu D11/90
- (*) Notice: This patent is subject to a terminal disclaimer. D632,207 S * 2/2011 Gurfinkel D11/91
- (**) Term: **15 Years** D641,651 S * 7/2011 Kothari D11/91
- (21) Appl. No.: **29/615,268** D642,087 S * 7/2011 Kothari D11/91
- (22) Filed: **Aug. 28, 2017** D643,327 S * 8/2011 Kothari D11/91
- (51) **LOC (11) Cl.** **11-01** D643,767 S * 8/2011 Kothari D11/34
- (52) **U.S. Cl.** D647,423 S * 10/2011 Khimavat D11/91
- (58) **Field of Classification Search** D648,650 S * 11/2011 Roehl D11/91
- USPC **D11/91** D648,651 S * 11/2011 Sin D11/91
- CPC A44C 5/00; A44C 5/0007; A44C 5/0015; A44C 5/0023; A44C 5/003; A44C 5/0038; A44C 5/0053; A44C 5/0061; A44C 5/0069; A44C 5/0076; A44C 5/0084; A44C 5/0092; A44C 17/00; A44C 17/001; A44C 17/02; A44C 17/04; A44C 7/00; A44C 7/002; A44C 9/00; A44C 9/0007; A44C 9/0038; A44C 9/0046; A44C 9/0053; A44C 9/02

See application file for complete search history.

(56) **References Cited**

U.S. PATENT DOCUMENTS

- 5,056,337 A * 10/1991 Nhaissi A44C 17/02 63/26
- D444,098 S * 6/2001 Hurwitz D11/90

- D650,307 S * 12/2011 Roehl D11/91
- D650,308 S * 12/2011 Roehl D11/91
- D654,394 S * 2/2012 Kothari D11/91
- D674,315 S * 1/2013 Dholakiya D11/91
- D680,897 S * 4/2013 Li D11/91
- D680,898 S * 4/2013 Dholakiya D11/91

(Continued)

Primary Examiner — Cynthia Ramirez
Assistant Examiner — L. Martinez
(74) *Attorney, Agent, or Firm* — Baiju Bhansali; Joseph Weinreich

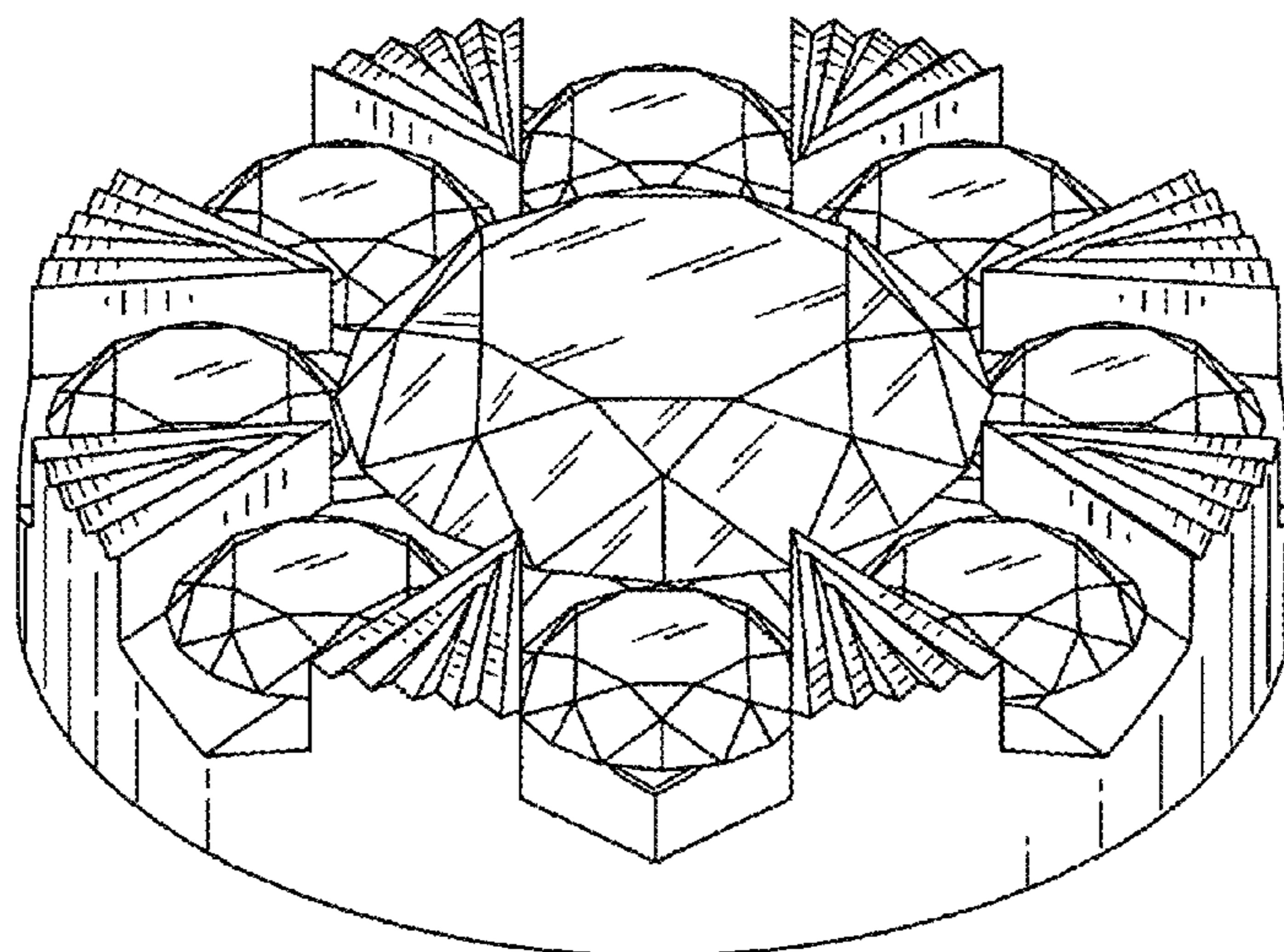
(57) **CLAIM**

The ornamental design for a jewelry stone setting, as shown and described.

DESCRIPTION

FIG. 1 is a top perspective view of a jewelry stone setting showing my new design;
FIG. 2 is a top plan view thereof;
FIG. 3 is a left side elevation view of the jewelry stone setting, the right side and opposite side views being identical;
FIG. 4 is a cross-sectional view of the jewelry stone setting taken through line 4-4 of FIG. 2; and,
FIG. 5 is a bottom plan view of the jewelry stone setting shown in FIG. 2.

1 Claim, 2 Drawing Sheets



(56)

References Cited

U.S. PATENT DOCUMENTS

D684,886	S	*	6/2013	Wein	D11/91
D684,887	S		6/2013	Wein		
D685,287	S	*	7/2013	Kothari	D11/91
D693,726	S	*	11/2013	Kothari	D11/91
D697,451	S	*	1/2014	Dholakiya	D11/91
D697,831	S	*	1/2014	Dholakiya	D11/91
D703,090	S	*	4/2014	Dholakiya	D11/91
D703,091	S	*	4/2014	Dholakiya	D11/91
D709,403	S	*	7/2014	Sanghvi	D11/91
D712,302	S	*	9/2014	Dholakiya	D11/91
D712,303	S	*	9/2014	Dholakiya	D11/91
D714,182	S	*	9/2014	Doran	D11/92
D718,181	S	*	11/2014	Kothari	D11/92
D755,665	S	*	5/2016	Krainz	D11/91
D791,012	S	*	7/2017	Krainz	D11/34
D798,188	S	*	9/2017	Wong	D11/92
D812,518	S	*	3/2018	Yep	D11/92
D813,717	S	*	3/2018	Shah	D11/91
D815,559	S	*	4/2018	Yep	D11/91
2012/0272681	A1	*	11/2012	Kothari	A44C 17/02 63/27
2015/0342310	A1	*	12/2015	Kei	A44C 17/04 63/28

* cited by examiner

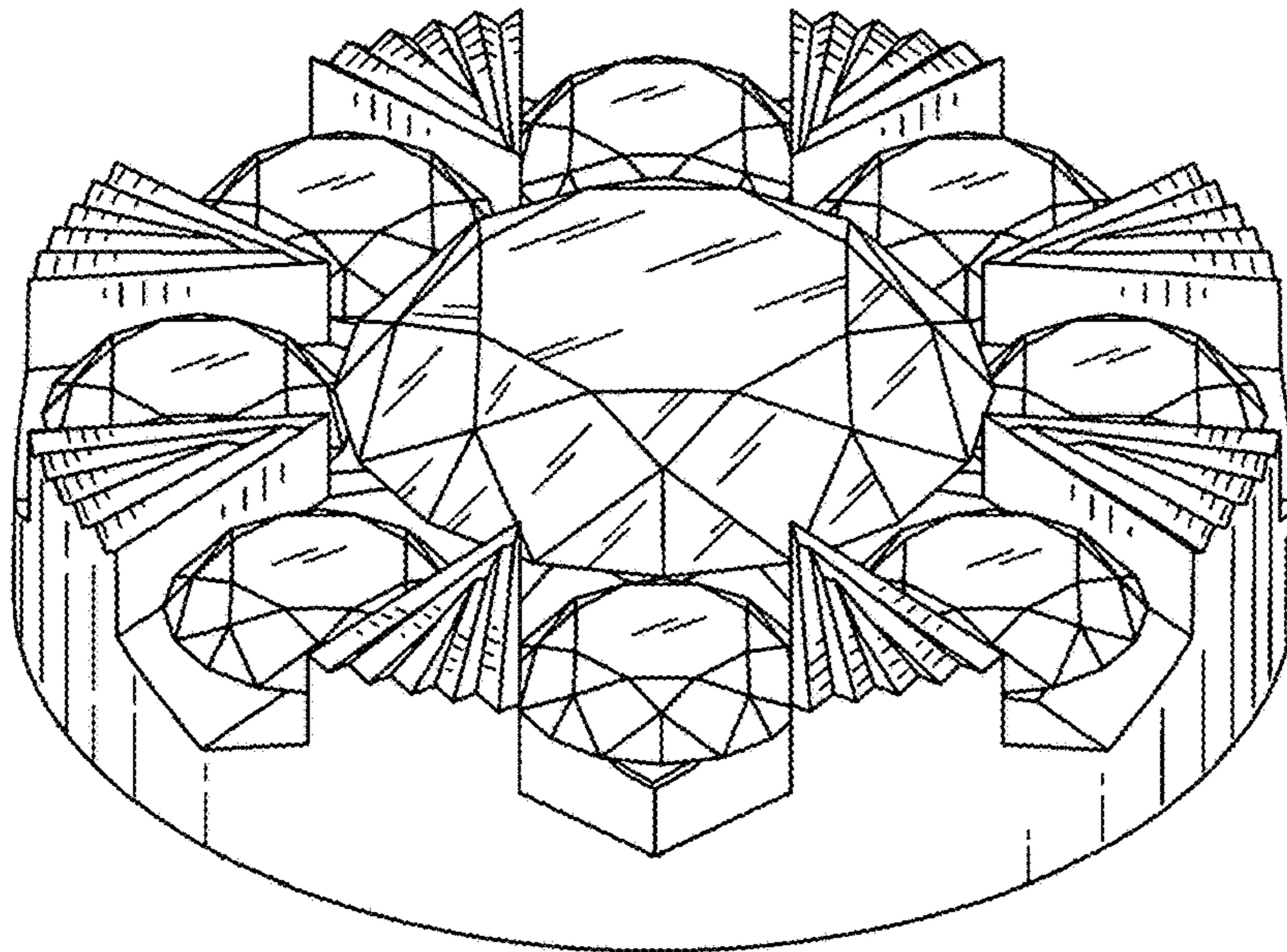


FIG. 1

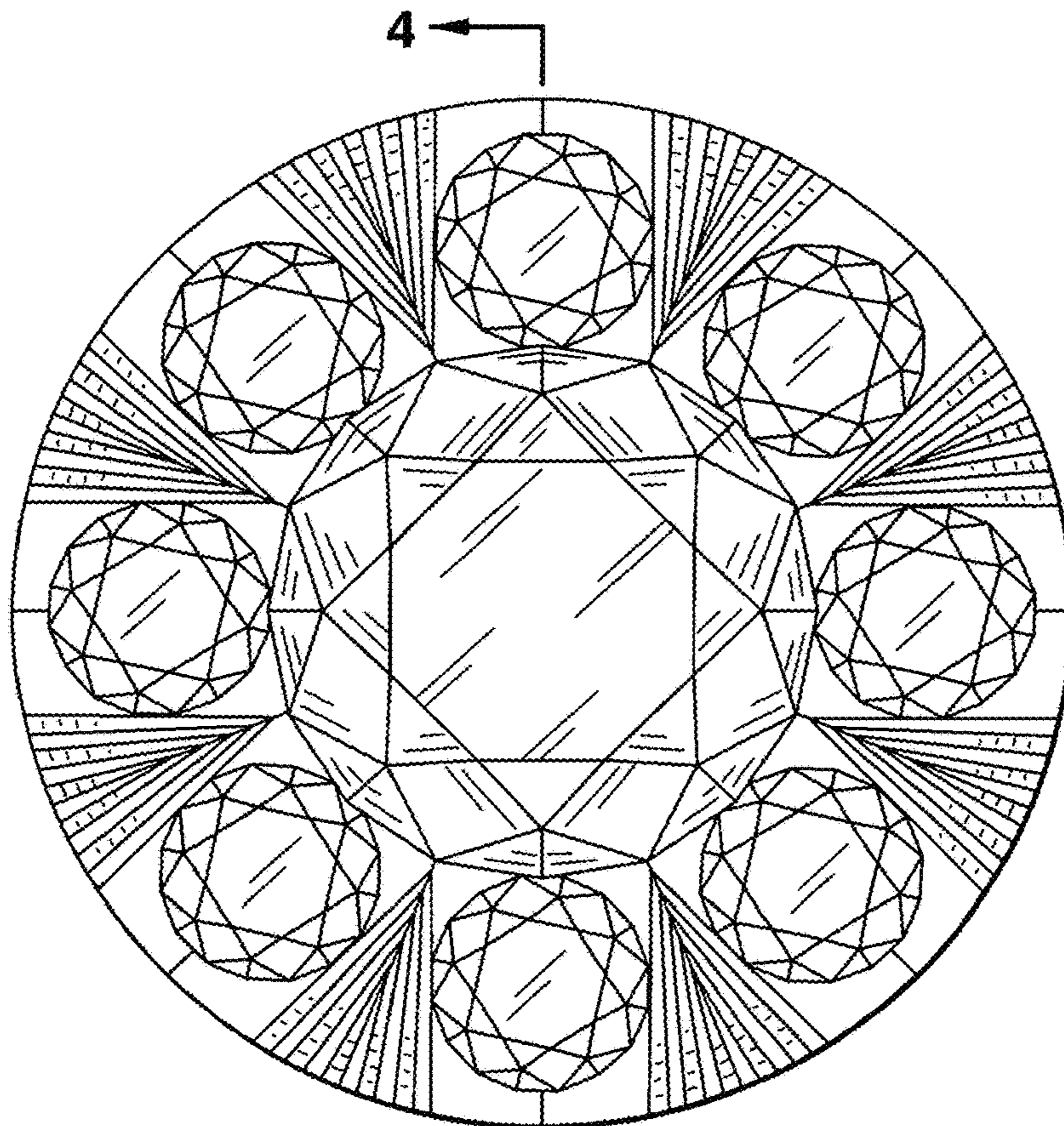


FIG. 2

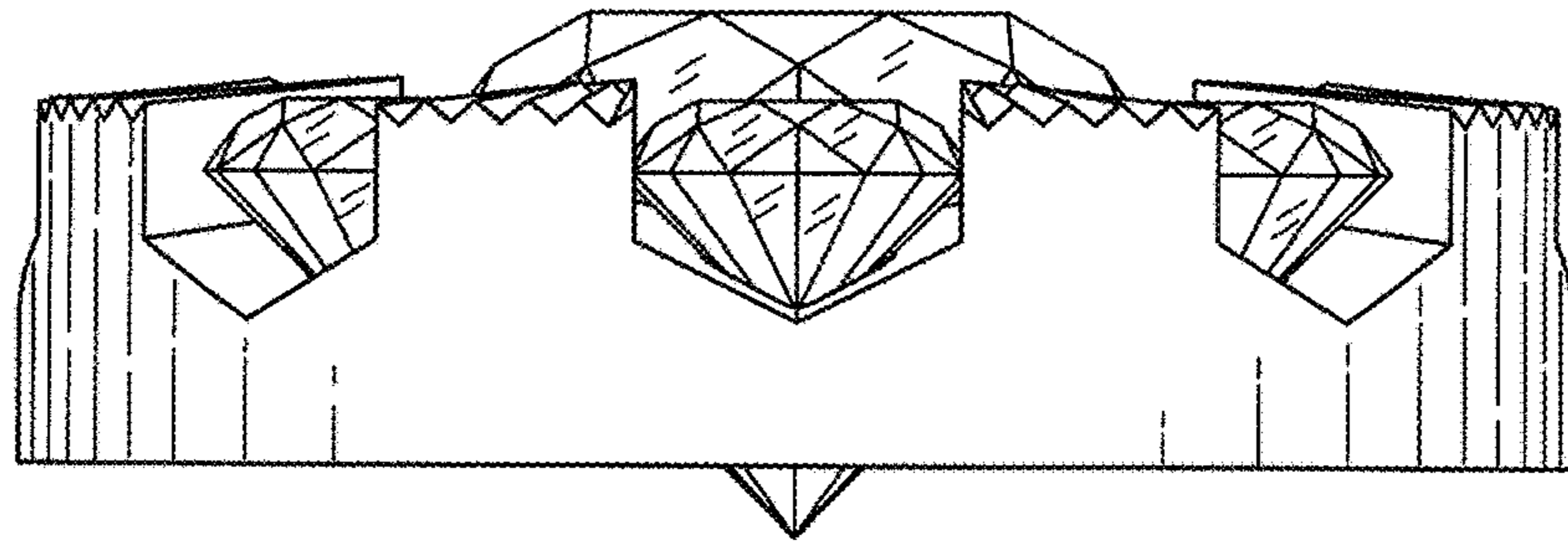


FIG. 3

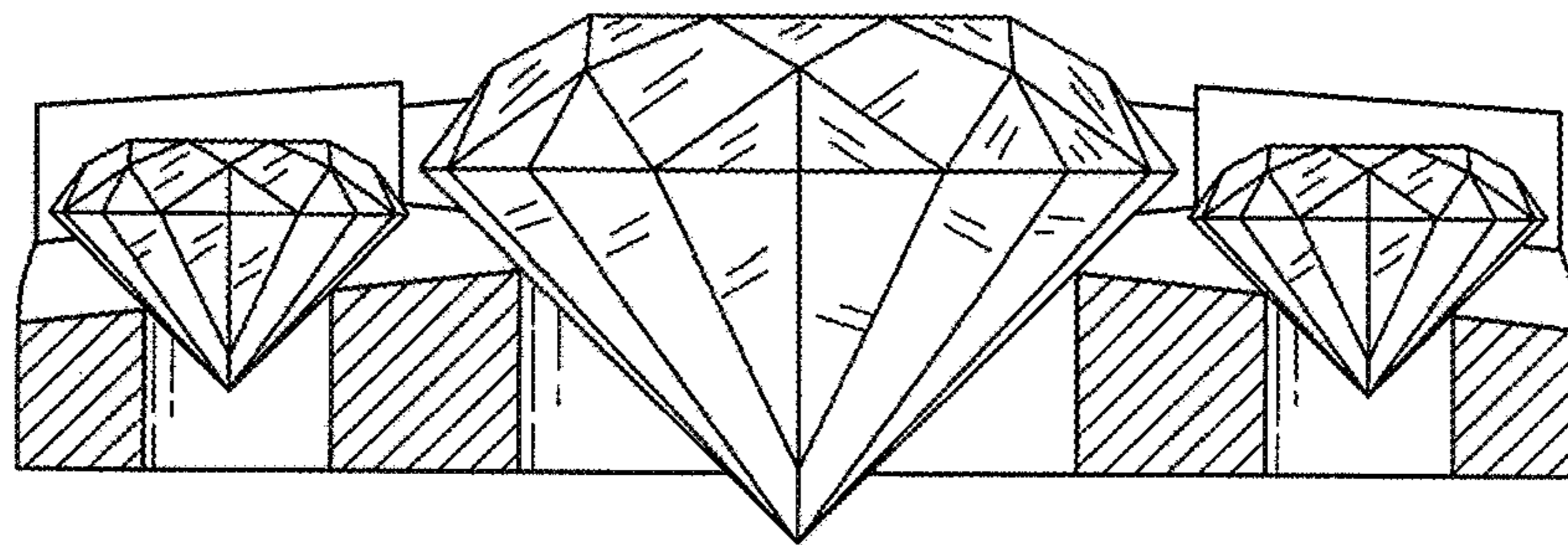


FIG. 4

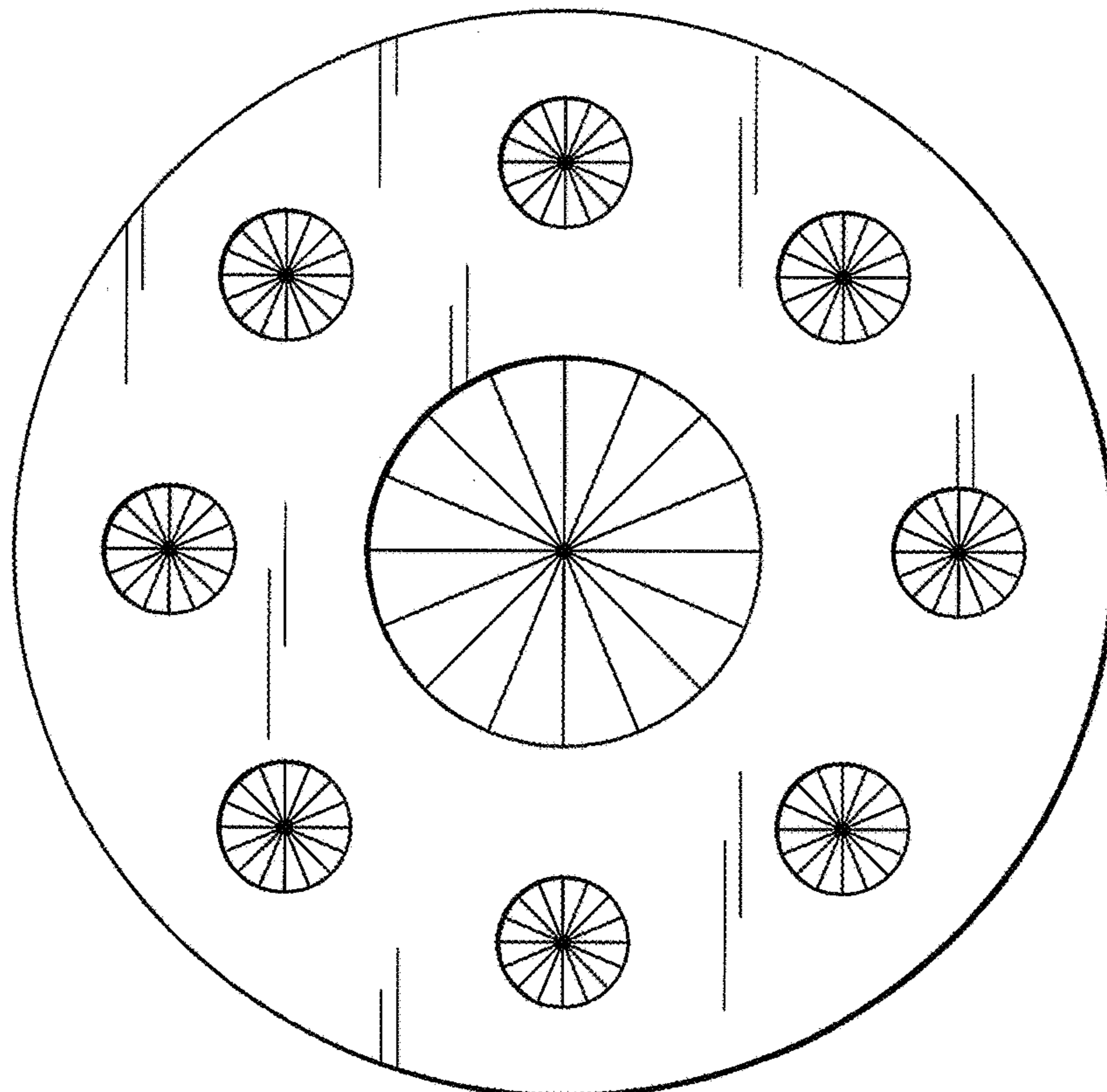


FIG. 5