



US00D845820S

(12) **United States Design Patent**
DaCosta

(10) **Patent No.:** **US D845,820 S**

(45) **Date of Patent:** **** Apr. 16, 2019**

(54) **PENDANT**

(71) Applicant: **Michael DaCosta**, Toronto (CA)

(72) Inventor: **Michael DaCosta**, Toronto (CA)

(**) Term: **15 Years**

(21) Appl. No.: **29/591,801**

(22) Filed: **Jan. 24, 2017**

(51) **LOC (11) Cl.** **11-01**

(52) **U.S. Cl.**
USPC **D11/86**

(58) **Field of Classification Search**
USPC D11/1-2, 7, 40-44, 46-49, 53, 56, 57,
D11/59-61, 63, 65, 79-83, 86-87, 89, 92,
D11/99, 101, 106, 114-116, 200-201
CPC A44C 5/00; A44C 5/0007; A44C 5/14;
A44C 5/142; A44C 5/185; A44C 5/2057;
A44C 5/2071; A44C 5/2076
See application file for complete search history.

(56) **References Cited**

U.S. PATENT DOCUMENTS

D366,007 S * 1/1996 Colpo D11/87
D390,496 S * 2/1998 Olsen D11/87

D562,719 S * 2/2008 Giannini D11/86
D567,704 S * 4/2008 Martin D11/87
D806,393 S * 1/2018 Morris D3/318

* cited by examiner

Primary Examiner — Zenia I Bennett

(57) **CLAIM**

I claim the ornamental design for a pendant, as described.

DESCRIPTION

FIG. 1 is a perspective view of a pendant;
FIG. 2 is a front elevation view of the pendant shown in FIG. 1;
FIG. 3 is a right side elevation view of the pendant shown in FIG. 1;
FIG. 4 is a rear side elevation view of the pendant shown in FIG. 1;
FIG. 5 is a left elevation view of the pendant shown in FIG. 1;
FIG. 6 is a top plan view of the pendant shown in FIG. 1;
and,
FIG. 7 is a bottom plan view of the pendant shown in FIG. 1.

1 Claim, 6 Drawing Sheets

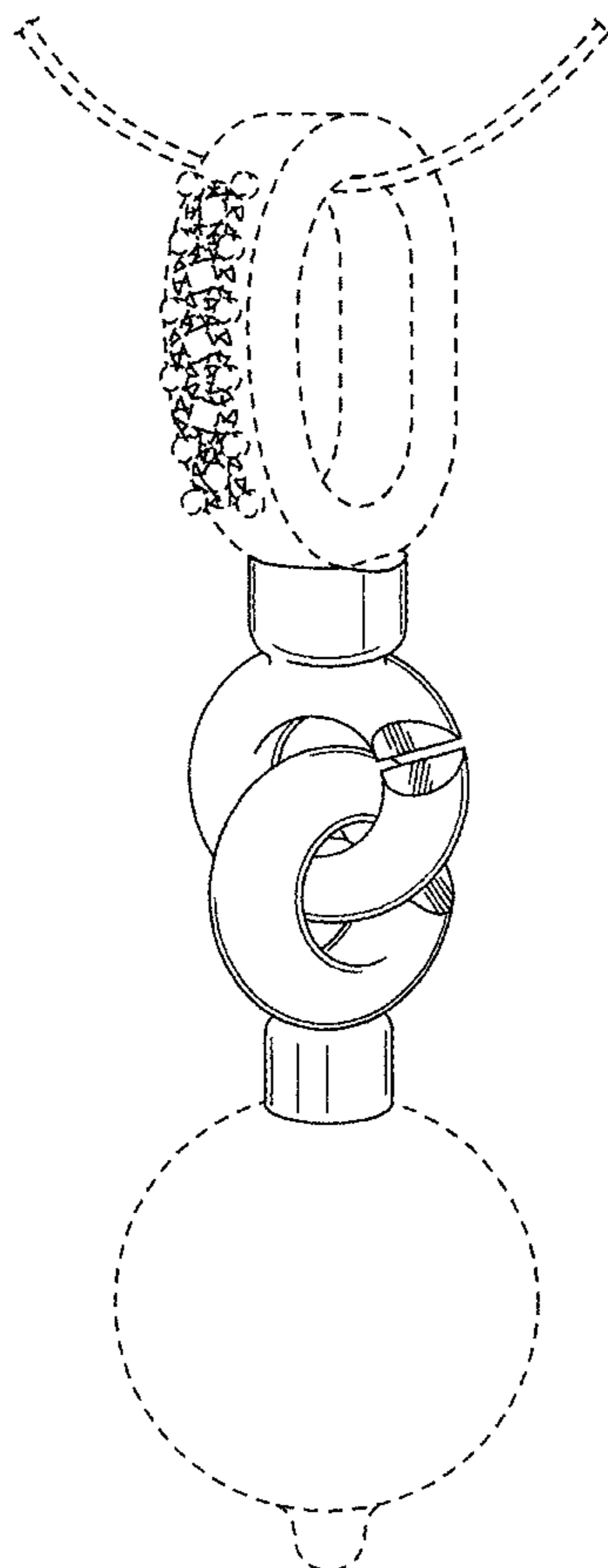


Fig. 1

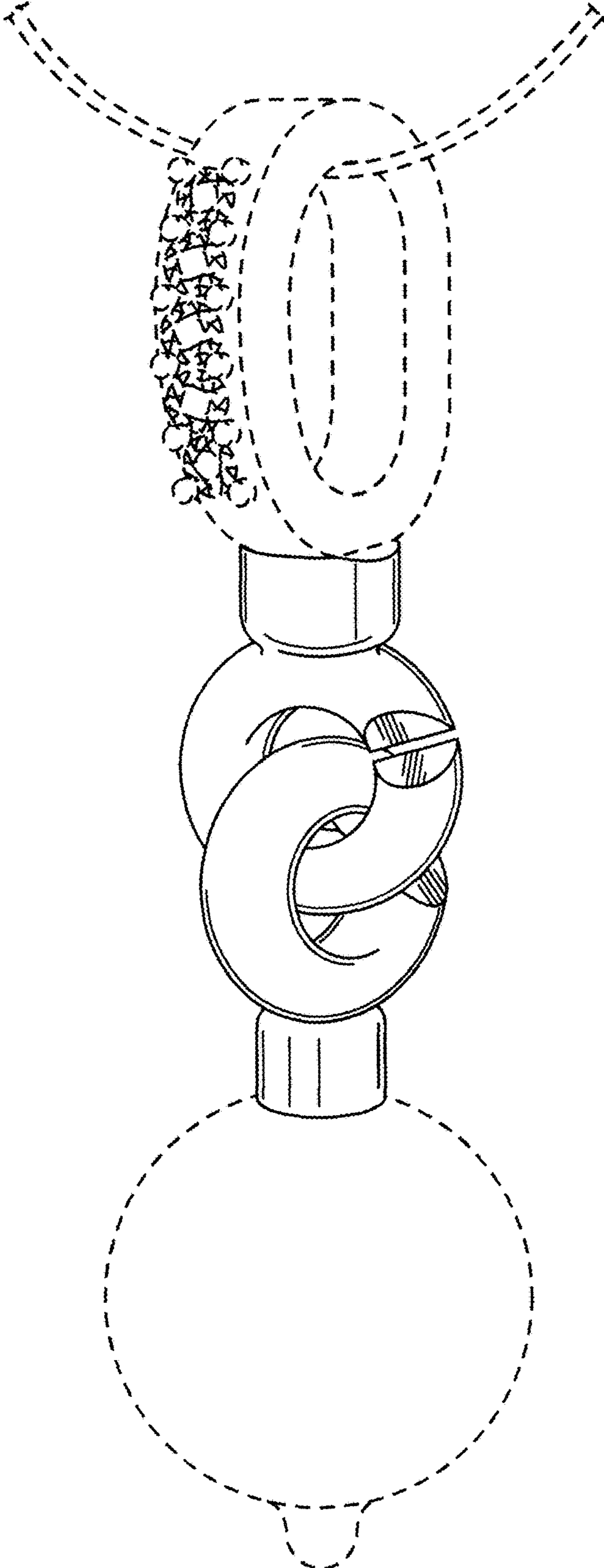


Fig. 2

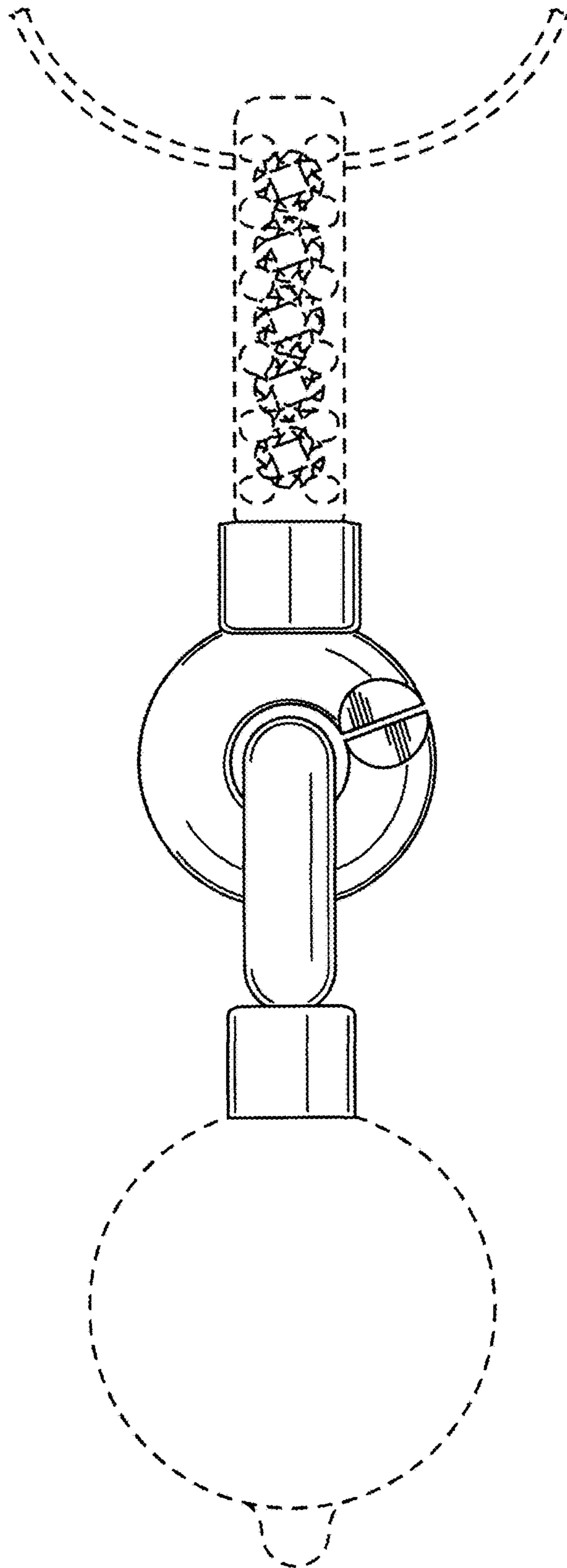


Fig. 3

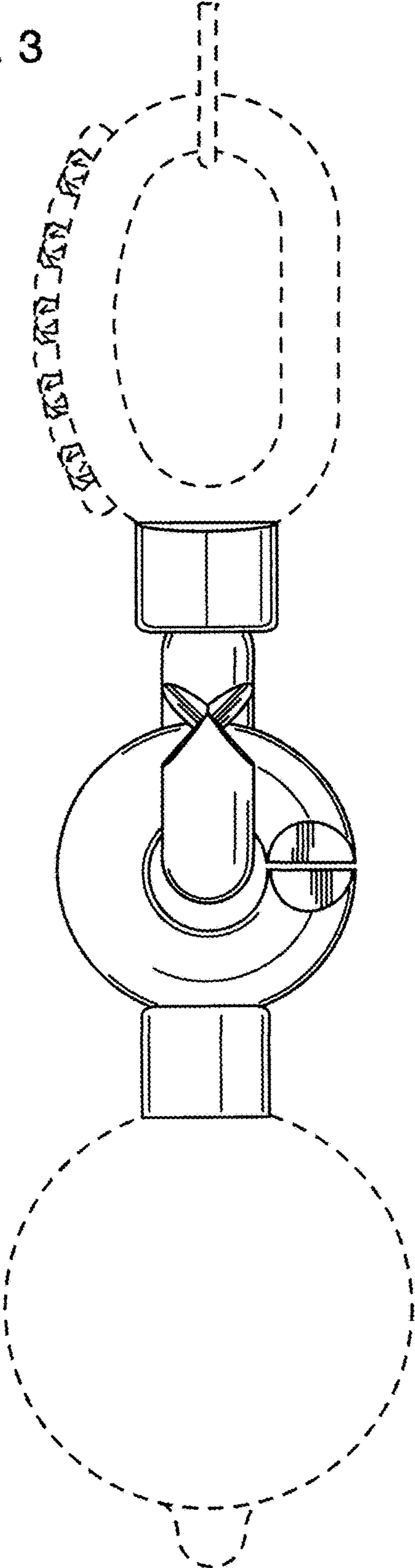


Fig. 4

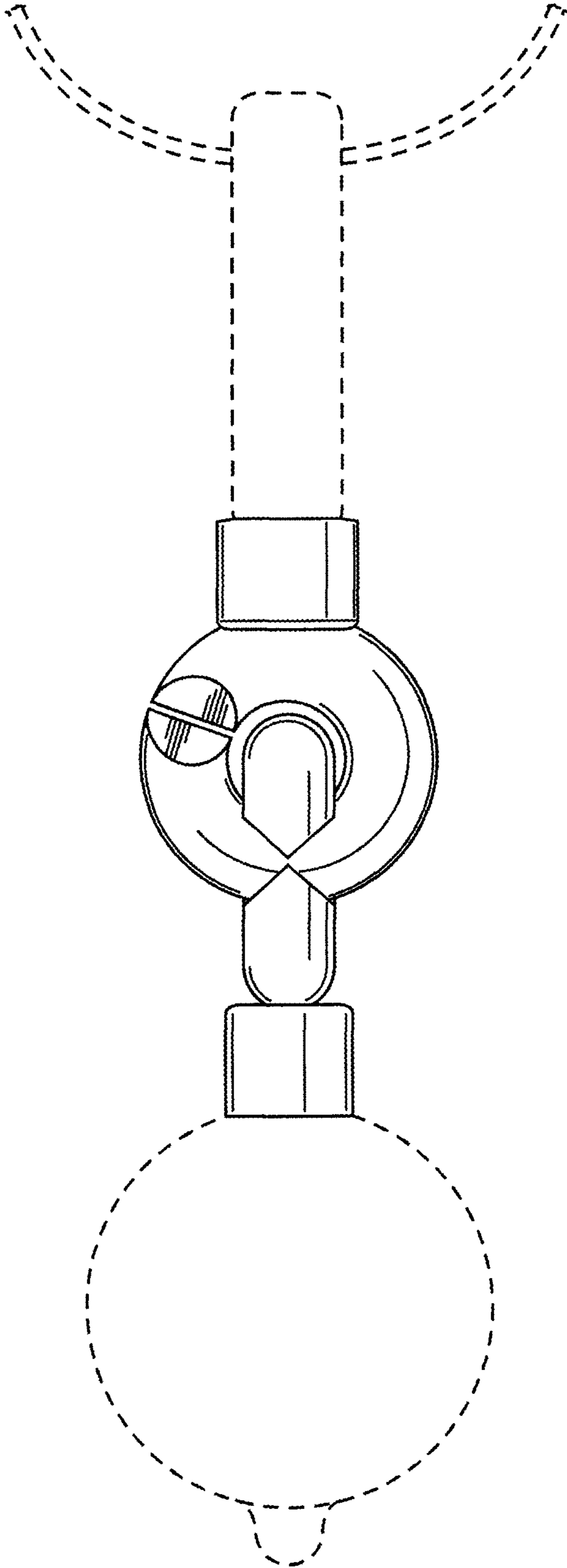


Fig. 5

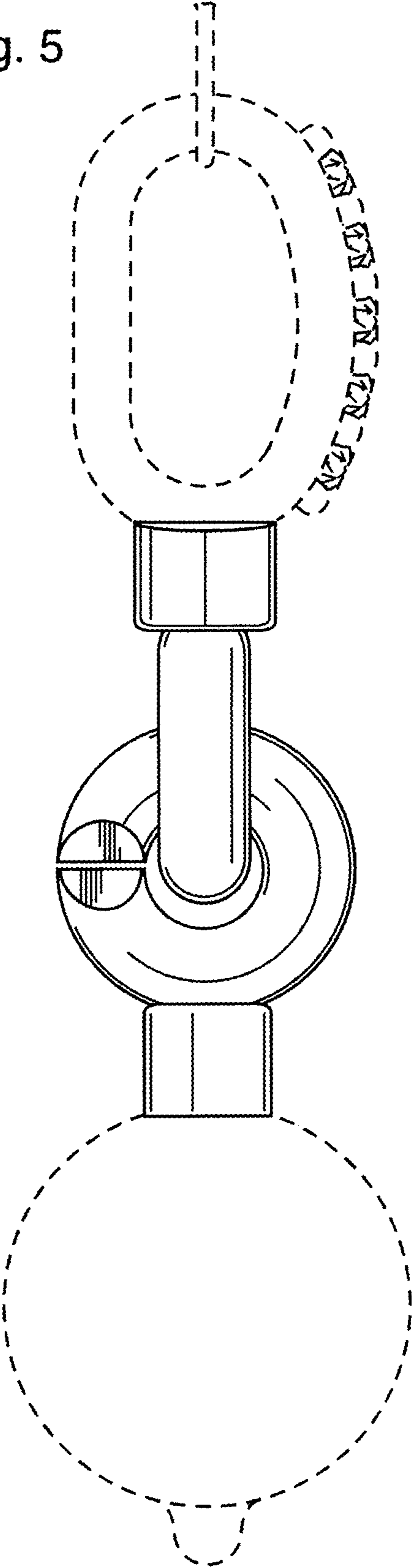


Fig. 6

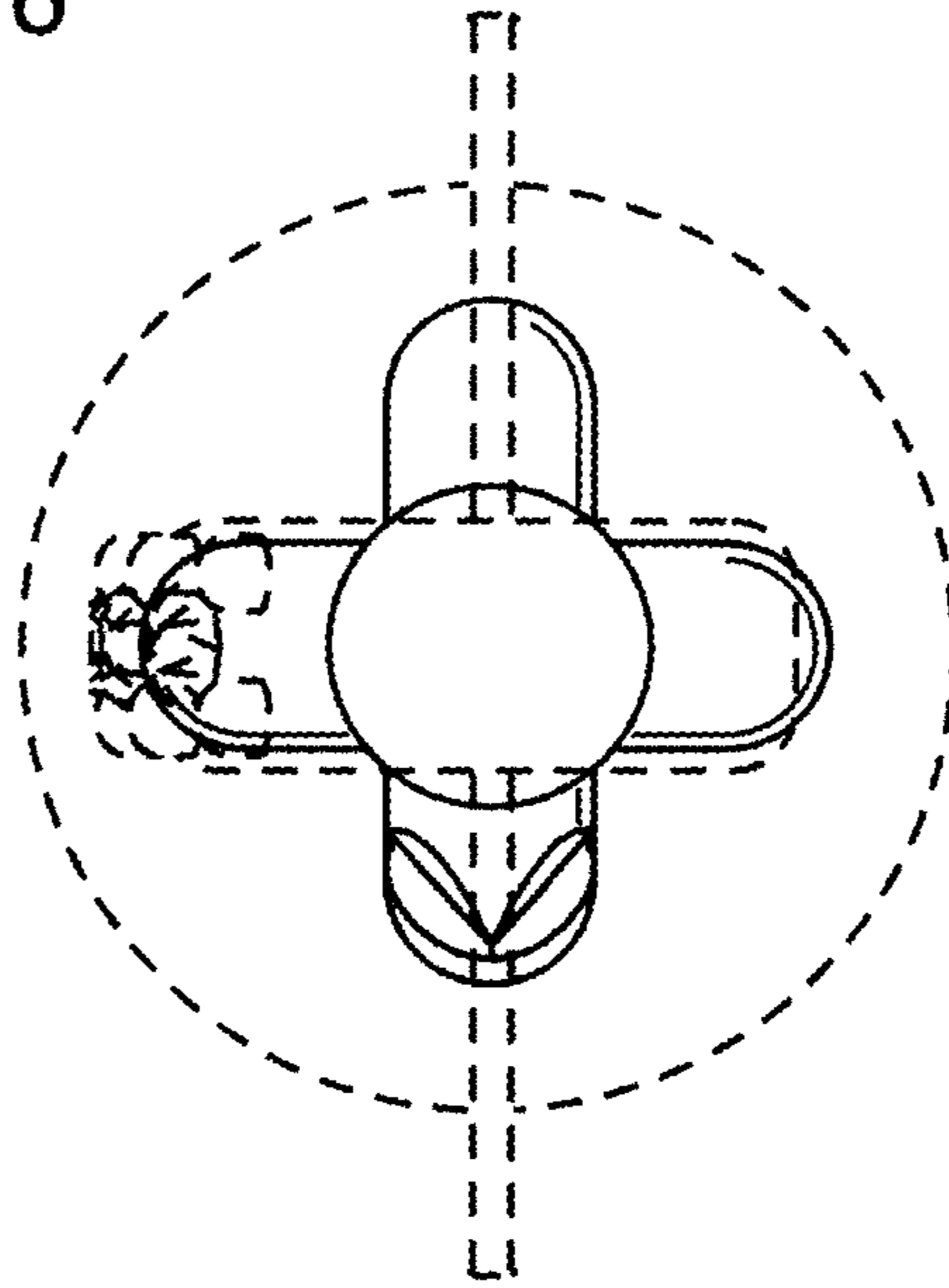


Fig. 7

