



US00D845810S

(12) **United States Design Patent** (10) **Patent No.:** **US D845,810 S**
Peng (45) **Date of Patent:** **** Apr. 16, 2019**

- (54) **SMART WATCH CASE**
- (71) Applicant: **Cong Peng**, Guangdong (CN)
- (72) Inventor: **Cong Peng**, Guangdong (CN)
- (**) Term: **15 Years**
- (21) Appl. No.: **29/619,262**
- (22) Filed: **Sep. 28, 2017**
- (51) **LOC (11) Cl.** **10-07**
- (52) **U.S. Cl.**
USPC **D10/132**
- (58) **Field of Classification Search**
USPC D10/1, 2, 5, 14-15, 30-32, 37-41, 61,
D10/70, 74, 80, 103, 122-124, 126-128,
D10/132; D11/3; D14/344, 138 R, 432,
D14/439, 440; D24/167, 186
CPC G04F 1/00; G04F 5/00; G04F 7/06; G04F
7/062; G04F 7/065; G04F 3/00; G04F
3/06; G04F 3/08; G04C 23/00; G04C
23/02; G04C 23/04; G04C 23/06; G04C
23/08; G04B 19/00; G04B 19/06; G04B
45/00; G04B 37/00; A44C 5/00; A44C
5/06; A44C 5/14; A45C 11/12; H04M
1/00; H04M 1/18; H04B 1/3888
See application file for complete search history.

- (56) **References Cited**
U.S. PATENT DOCUMENTS
D52,835 S * 12/1918 Weiner D10/132
D278,315 S * 4/1985 Houlihan D10/30
D290,234 S * 6/1987 Komatsu D10/30
D293,417 S * 12/1987 Sakamaki D10/30
D294,916 S * 3/1988 Kabaya D10/30
4,757,486 A * 7/1988 Wollman G04B 37/1486
224/164
8,256,612 B1 * 9/2012 Wang A45C 11/00
206/320
9,004,329 B2 * 4/2015 Hsieh G04G 17/08
224/169
D735,191 S * 7/2015 Song D10/38

- D742,761 S * 11/2015 Grazian D10/30
 - D750,622 S * 3/2016 Chen D10/38
 - 9,391,307 B2 * 7/2016 Ishibashi H01M 2/1066
 - D763,107 S * 8/2016 Nielsen D10/30
 - D772,081 S * 11/2016 Lee D10/30
 - D777,590 S * 1/2017 Nielsen D10/39
 - D789,357 S * 6/2017 Wu D14/344
 - D806,057 S * 12/2017 Park D14/217
 - D806,599 S * 1/2018 Nielsen D10/132
- (Continued)

OTHER PUBLICATIONS

Bayite for Fitbit Ionic Case Cover | posted at amazon.com n.d. © 1996-2018, Amazon.com, Inc.[online][site visited Jul. 23, 2018]. Available from internet: <<https://www.amazon.com/bayite-Fitbit-Protective-Resistant-Fitness/dp/B07F1GWQ7S>> (Year: 2018).*

Primary Examiner — Sandra S Snapp
Assistant Examiner — Katherine Glennon

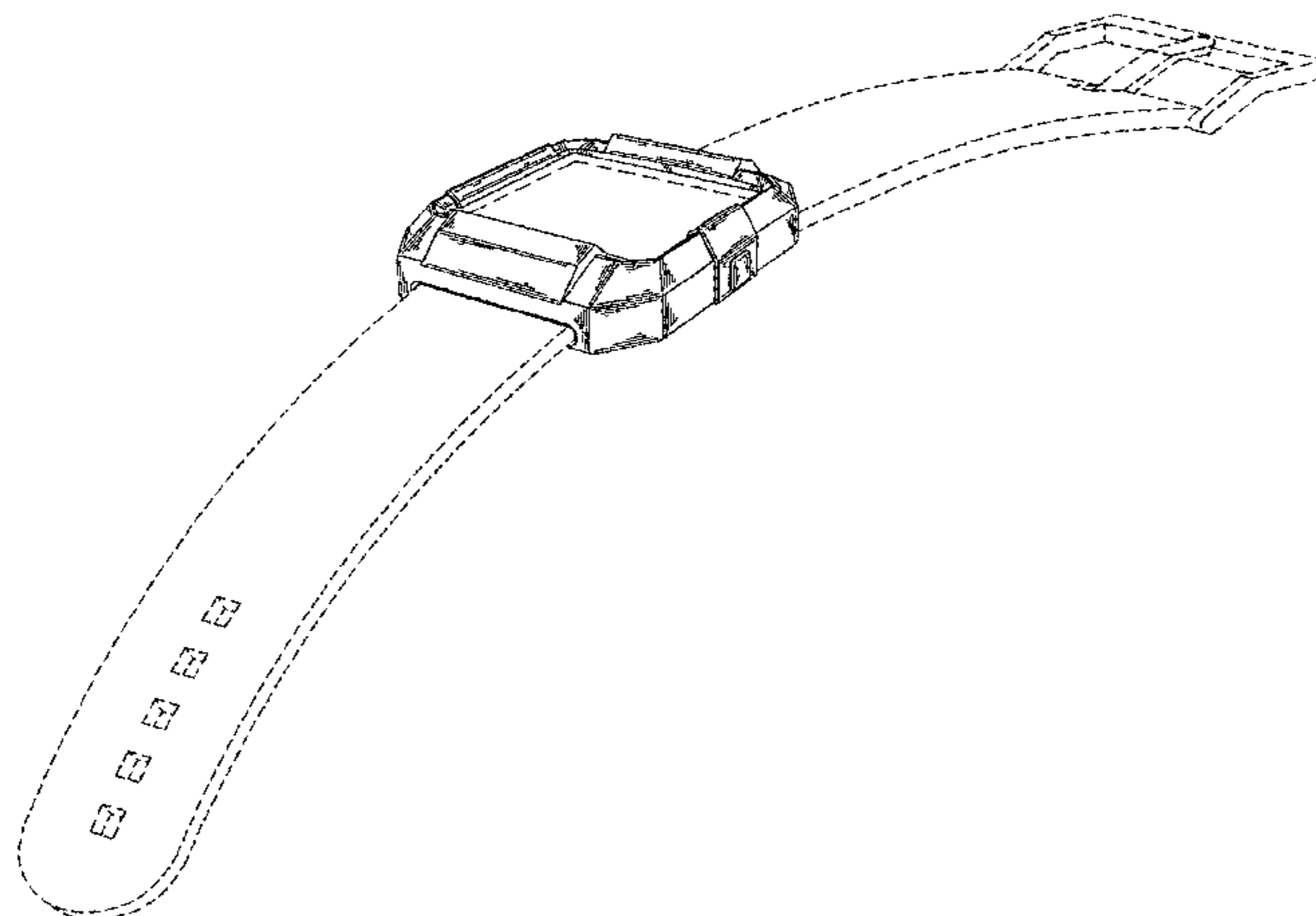
(57) **CLAIM**

The ornamental design for a smart watch case, as shown and described.

DESCRIPTION

FIG. 1 is a front elevational view of a smart watch case showing my new design;
FIG. 2 is a rear elevational view thereof;
FIG. 3 is a left side view thereof;
FIG. 4 is a right side view thereof;
FIG. 5 is a top plan view thereof;
FIG. 6 is a bottom plan view thereof;
FIG. 7 is a perspective view thereof; and,
FIG. 8 is a perspective view in the state of use.
The long-dash broken lines show portions of the smart watch case that form no part of the claimed design. In FIG. 8, the short-dash broken lines show environment that forms no part of the claimed design.

1 Claim, 6 Drawing Sheets



(56)

References Cited

U.S. PATENT DOCUMENTS

D813,695 S * 3/2018 Nielsen D10/70
D822,835 S * 7/2018 Paschke D24/167
2013/0001263 A1* 1/2013 Kai A44C 5/0007
224/219

* cited by examiner

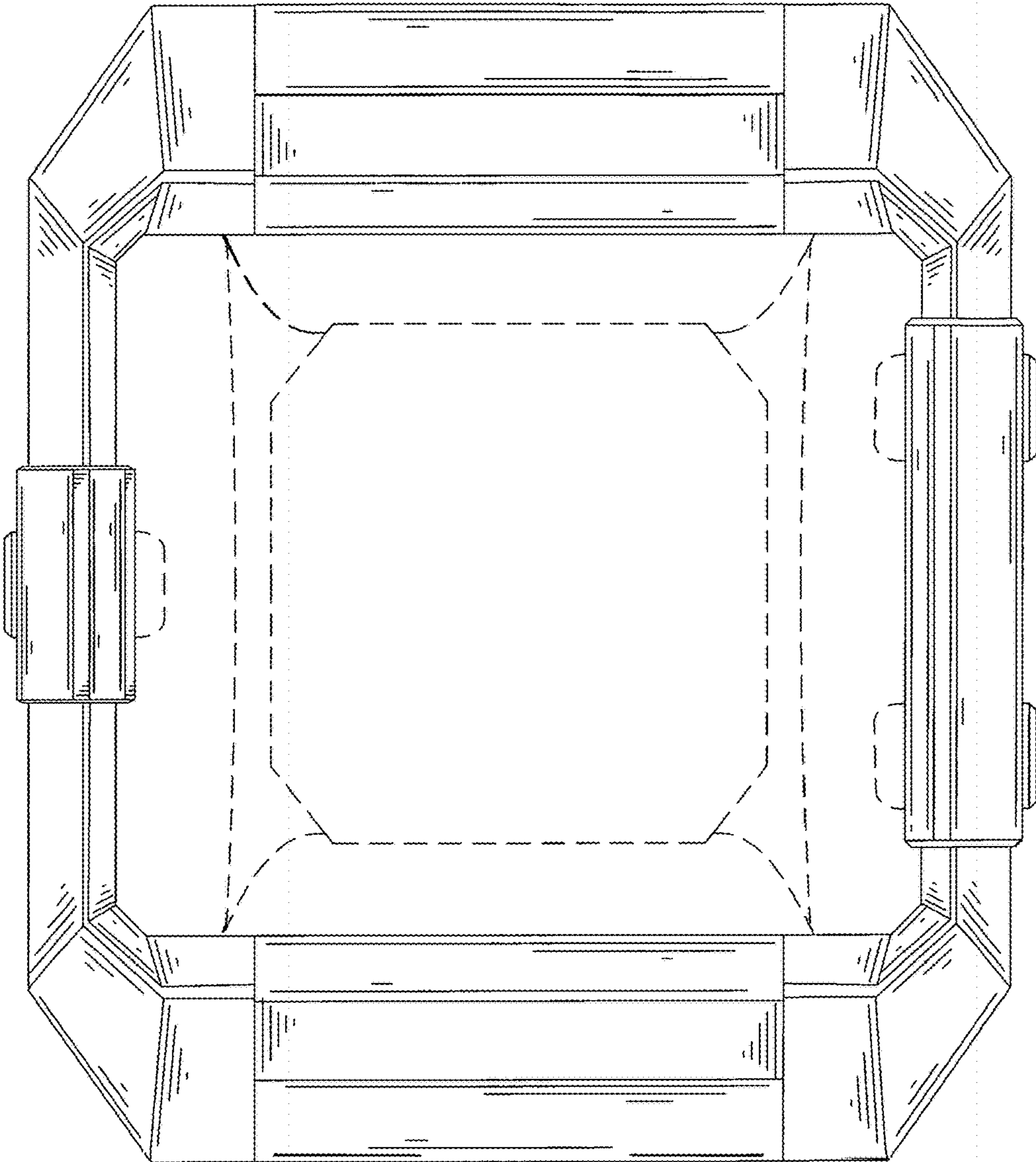


FIG. 1

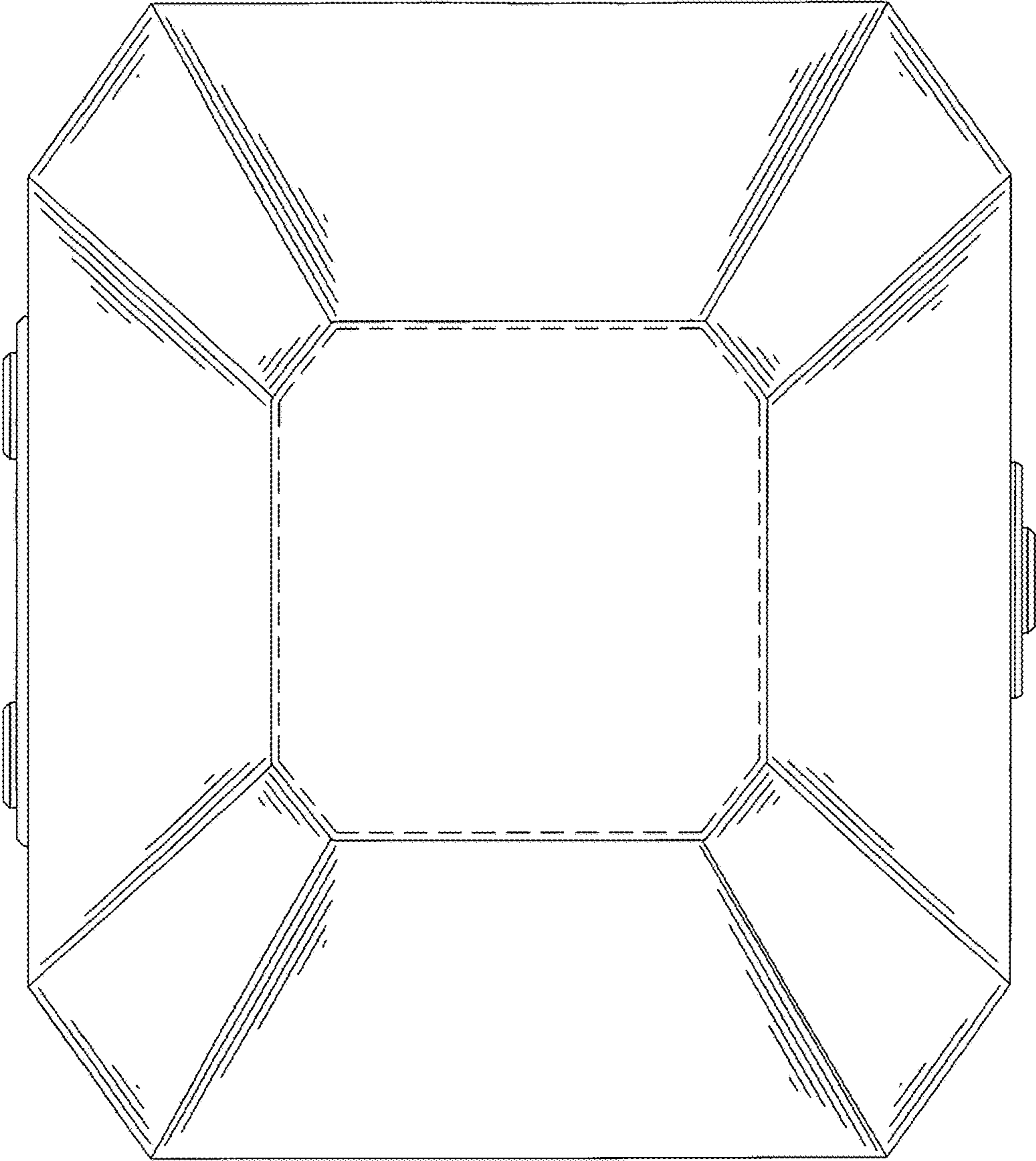


FIG. 2

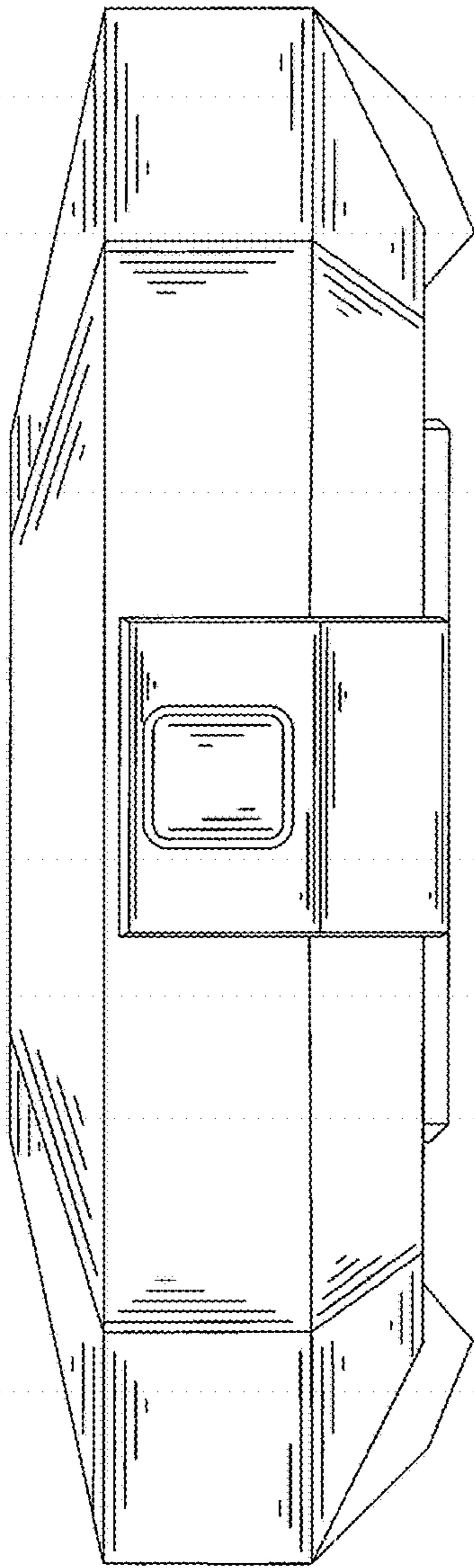


FIG. 3

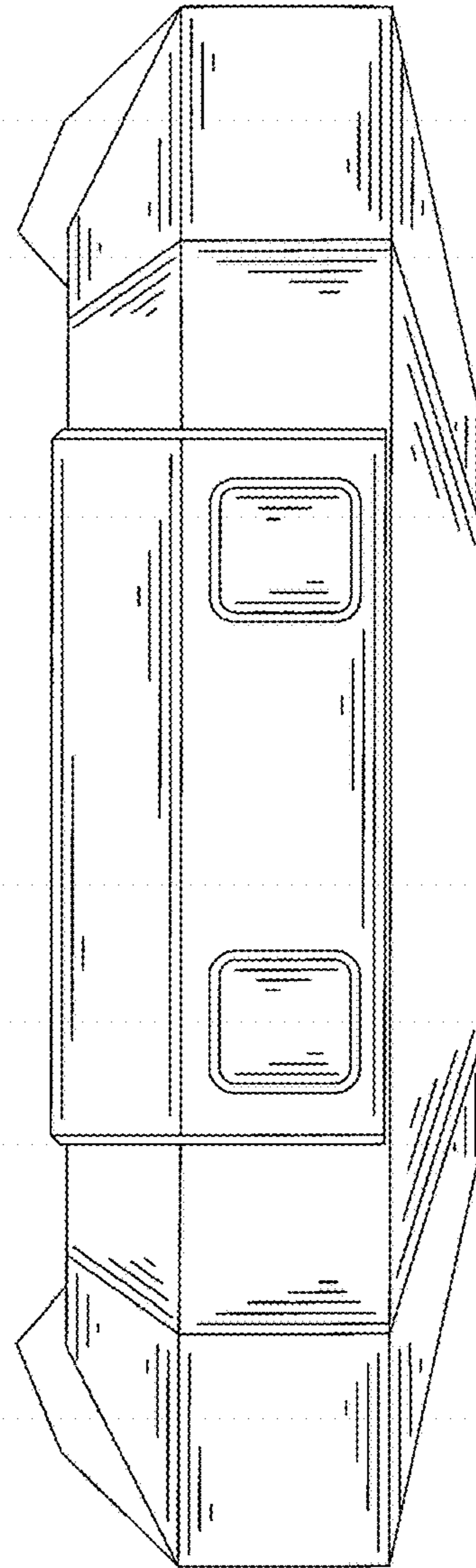


FIG. 4

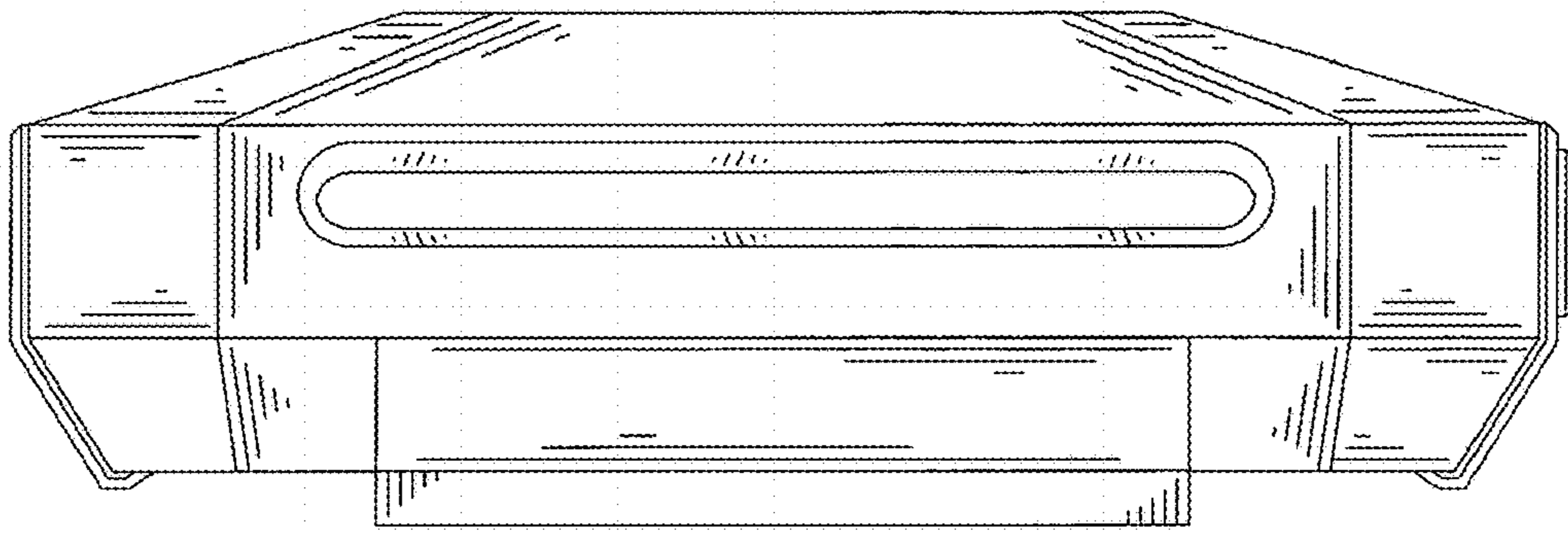


FIG. 5

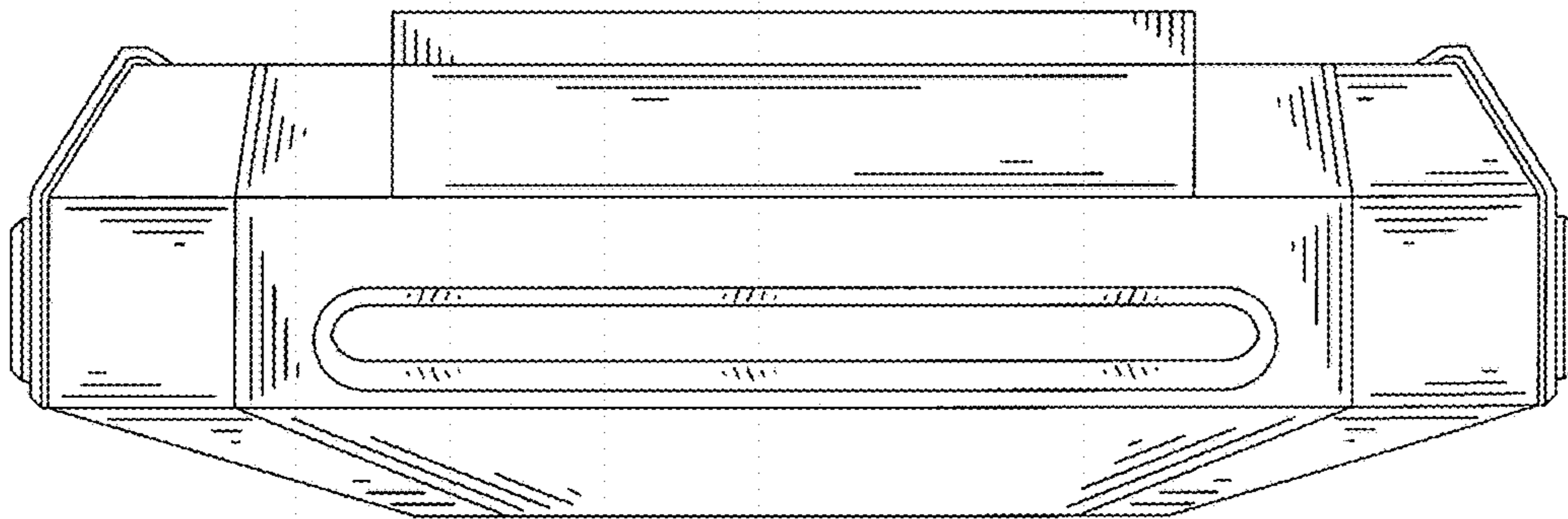


FIG. 6

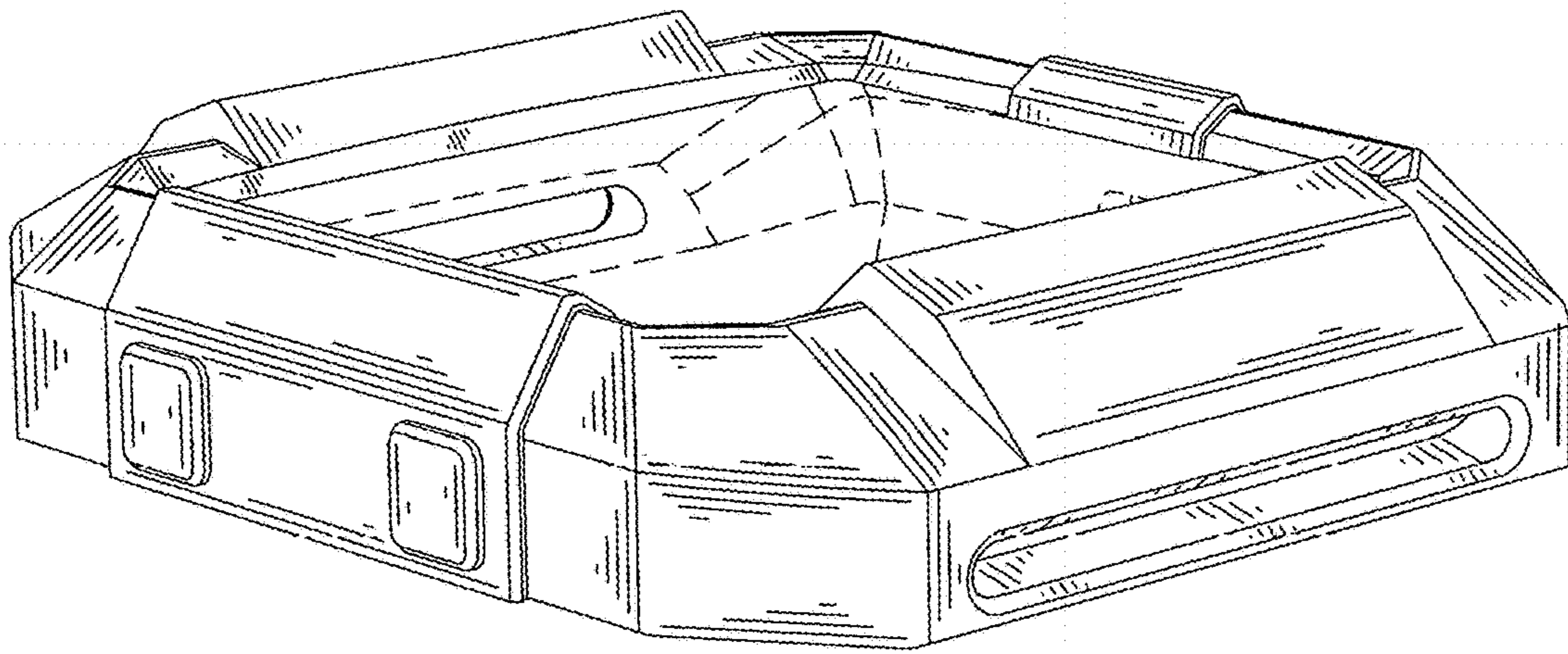


FIG. 7

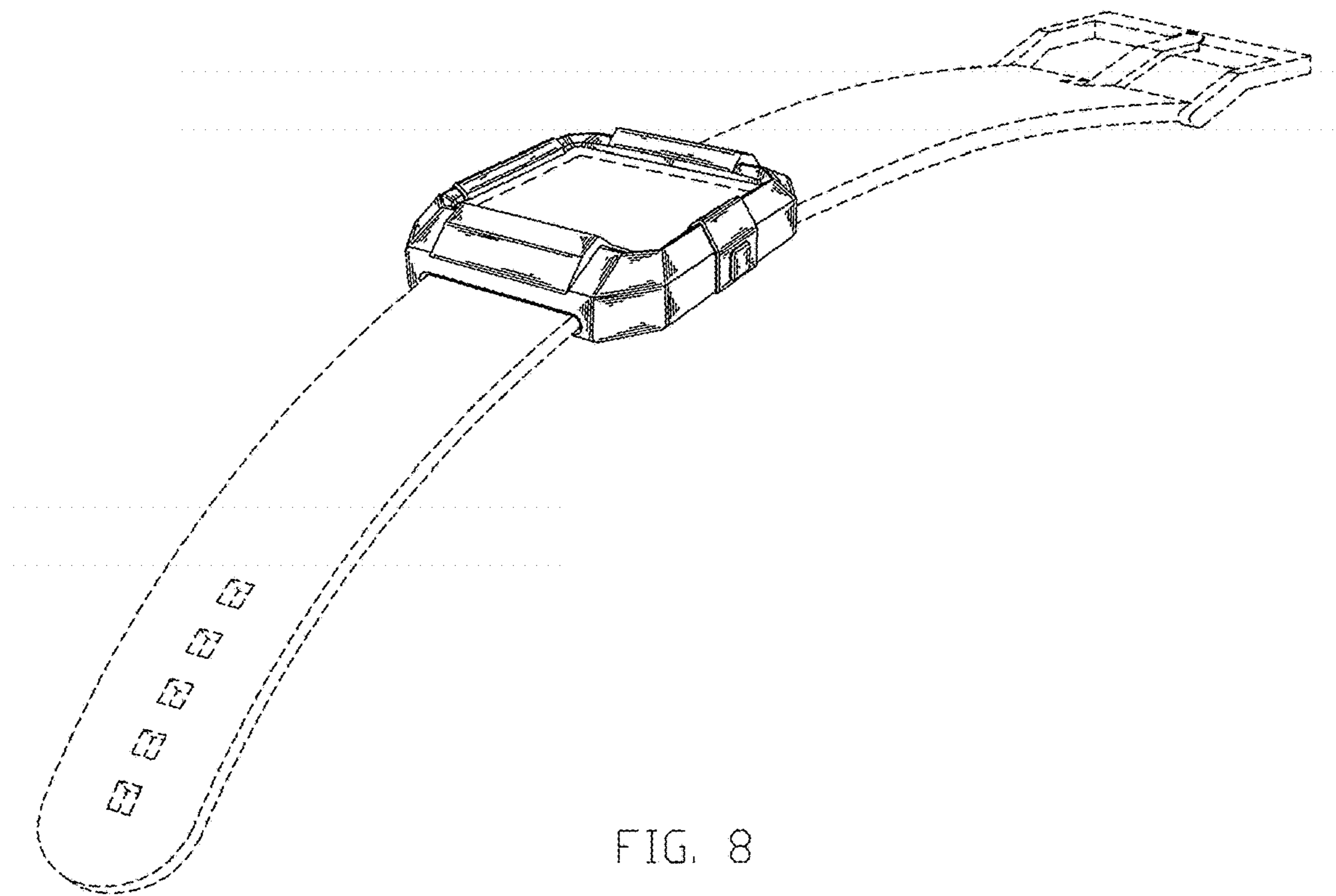


FIG. 8