



US00D845809S

(12) **United States Design Patent**
Knapp

(10) **Patent No.:** **US D845,809 S**

(45) **Date of Patent:** **** Apr. 16, 2019**

- (54) **BUOY**
- (71) Applicant: **Timothy Knapp**, Silverdale, WA (US)
- (72) Inventor: **Timothy Knapp**, Silverdale, WA (US)
- (**) Term: **15 Years**
- (21) Appl. No.: **29/609,767**
- (22) Filed: **Jul. 5, 2017**
- (51) **LOC (11) Cl.** **10-05**
- (52) **U.S. Cl.**
USPC **D10/107**
- (58) **Field of Classification Search**
USPC D10/104.1, 106.6, 107, 109.1, 109.2,
D10/113.1, 113.2, 113.3, 113.4, 1, 14.1,
D10/116.1, 121; D22/126, 127, 128, 129,
D22/130, 131, 132, 133, 134, 144, 145,
D22/146; 40/586, 547; 116/63 P, 107;
340/908, 331; 114/292, 267; 441/6, 16,
441/28, 7, 11, 22, 32, 34, 13, 30, 17;
200/54 A; D8/14, 47, 80, 83, 86, 94, 97,
D8/101, 300, 303, 306, 313, 315
CPC B63B 22/00; B63B 22/04; F03B 13/1865;
A01M 29/10; E02D 5/56; E02D 27/42;
B63C 9/21
See application file for complete search history.

- 4,099,281 A * 7/1978 Bowley B63B 22/16
114/294
- 4,099,282 A * 7/1978 Townsend B63C 9/21
441/16
- D362,641 S * 9/1995 Testerman, II D10/107
- D435,286 S * 12/2000 Player D22/146
- 6,266,903 B1 * 7/2001 Collins G08B 5/006
116/63 P
- D451,044 S * 11/2001 Campman D10/107
- D504,344 S * 4/2005 Gotell D10/107
- 7,001,233 B2 * 2/2006 Gotell A01K 75/04
43/7

(Continued)

OTHER PUBLICATIONS

Available Dec. 20, 2018, [online], [site visited Dec. 20, 2018].
Available from Internet, <URL:https://www.lindgren-pitman.com/
444-lp-ais-buoy.html> (Year: 2018).*

(Continued)

Primary Examiner — Cathron C Brooks
Assistant Examiner — Katrina N Gonzalez
(74) *Attorney, Agent, or Firm* — Dean A. Craine, P.S.

(57) **CLAIM**

The ornamental design for a buoy, as shown and described.

DESCRIPTION

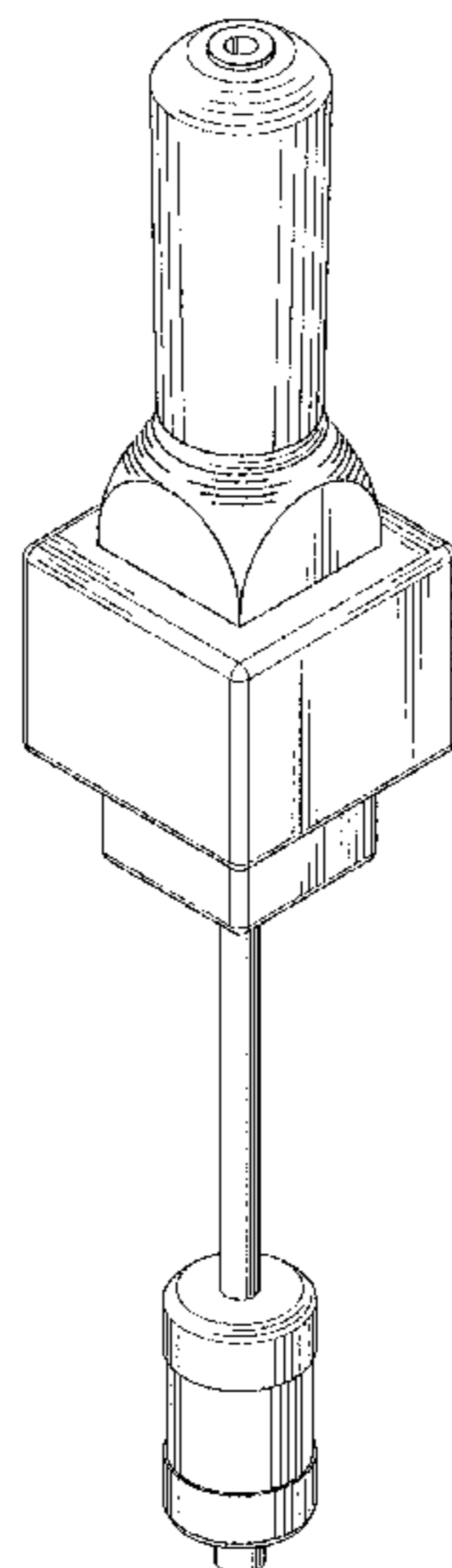
FIG. 1 is a front top perspective view of a buoy.
FIG. 2 is a front elevational view of the buoy shown in FIG. 1.
FIG. 3 is a side elevational view of the buoy shown in FIG. 1.
FIG. 4 is a top plan view of the buoy shown in FIG. 1.
FIG. 5 is a bottom plan view of the buoy shown in FIG. 1; and,
FIG. 6 is a longitudinal cross-sectional view taken through the center of the buoy in FIG. 1.

1 Claim, 2 Drawing Sheets

(56) **References Cited**

U.S. PATENT DOCUMENTS

- 2,300,795 A 11/1942 McAllister
- 2,397,844 A * 4/1946 Dewhurst G10K 11/006
114/198
- 2,790,187 A 4/1957 Marconi
- D181,102 S 10/1957 Kurt
- 3,064,354 A 4/1963 Lunenschloss
- D247,354 S * 2/1978 Sinclair D10/107
- 4,077,076 A * 3/1978 Masters B63B 51/02
116/107



(56)

References Cited

U.S. PATENT DOCUMENTS

7,755,211 B2 * 7/2010 Montgomery F03B 13/1865
290/53
7,859,425 B2 * 12/2010 Glasa B63C 9/0005
340/691.1
D764,251 S * 8/2016 Hsu D8/86
D815,552 S * 4/2018 Gilman D10/107
D826,762 S * 8/2018 Smith D10/107
2011/0000417 A1 * 1/2011 Jone B63B 22/20
114/328
2018/0258602 A1 * 9/2018 Kemp E02D 5/56
2018/0339750 A1 * 11/2018 Knapp B63B 22/04

OTHER PUBLICATIONS

Tayllor Made Bouys (www.amazon.com, products 22139, 22127 and 2213).

* cited by examiner

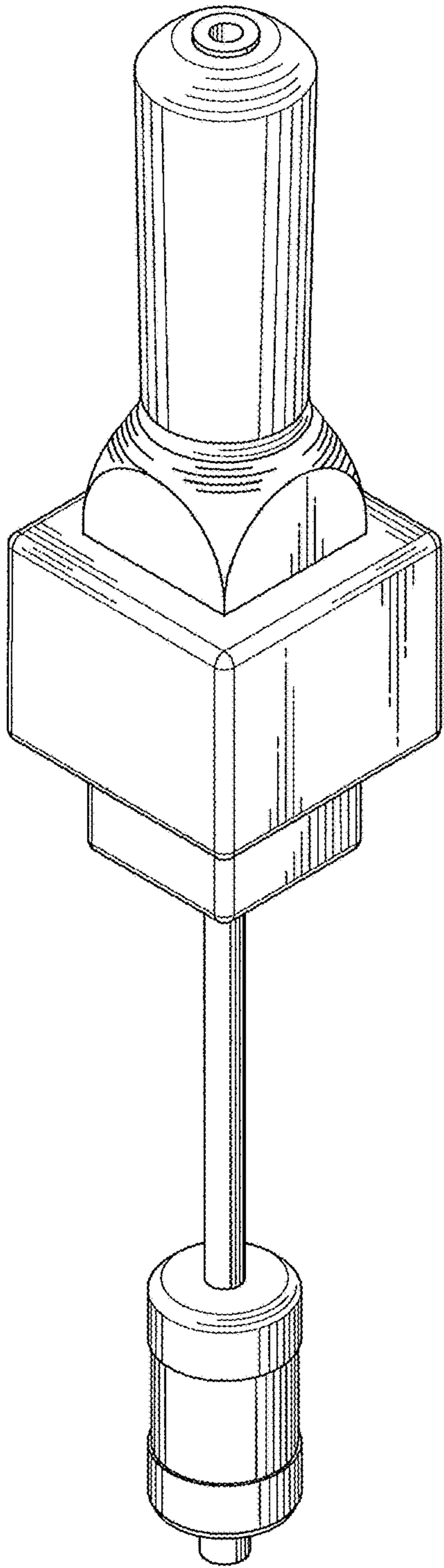


Fig. 1

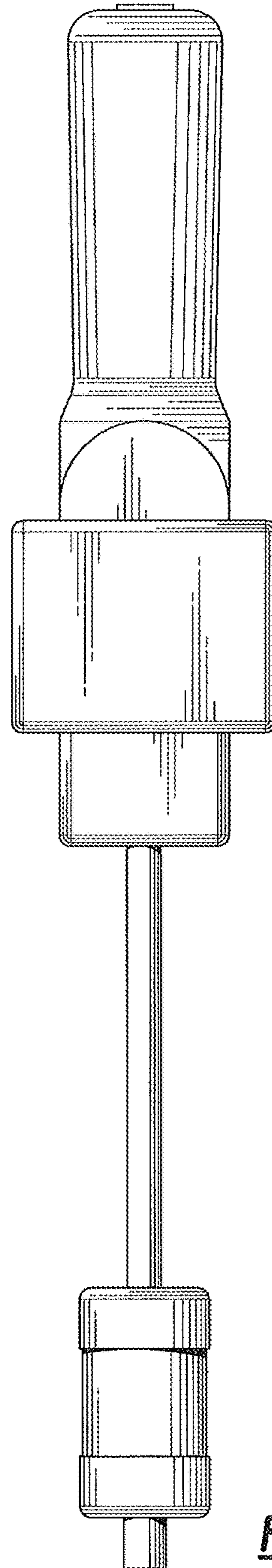


Fig. 2

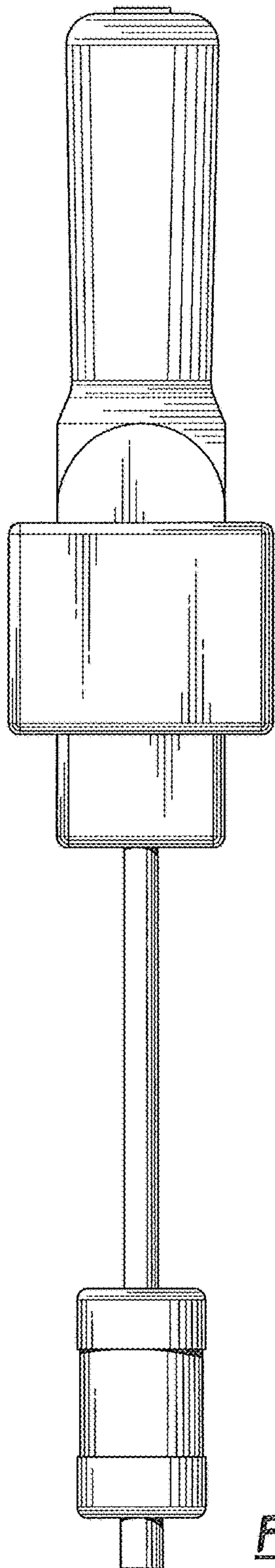


Fig. 3

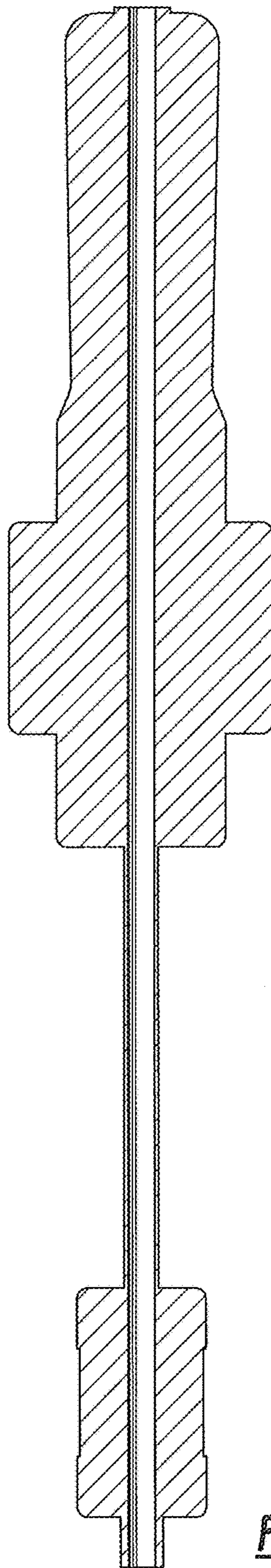


Fig. 6

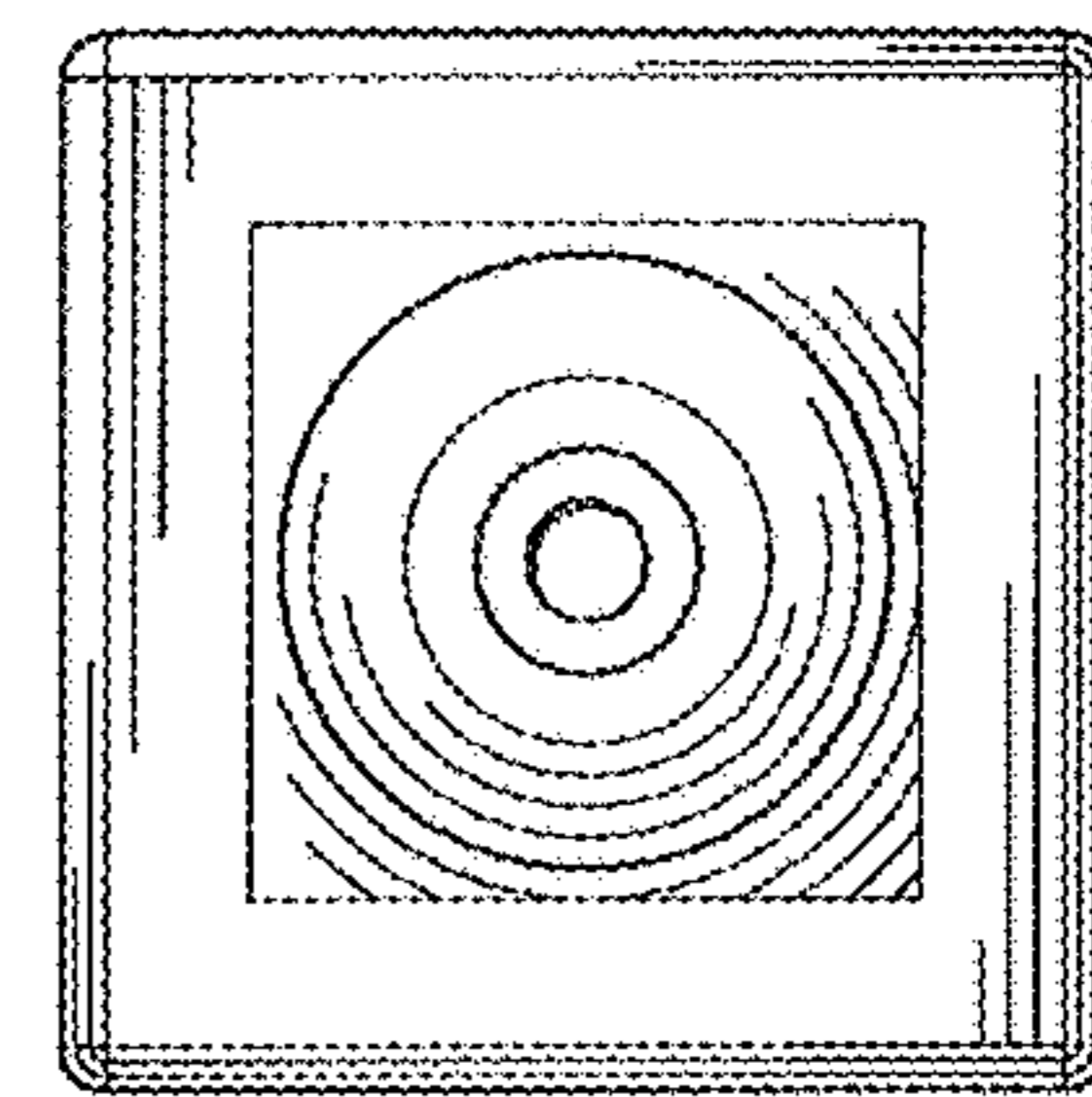


Fig. 4

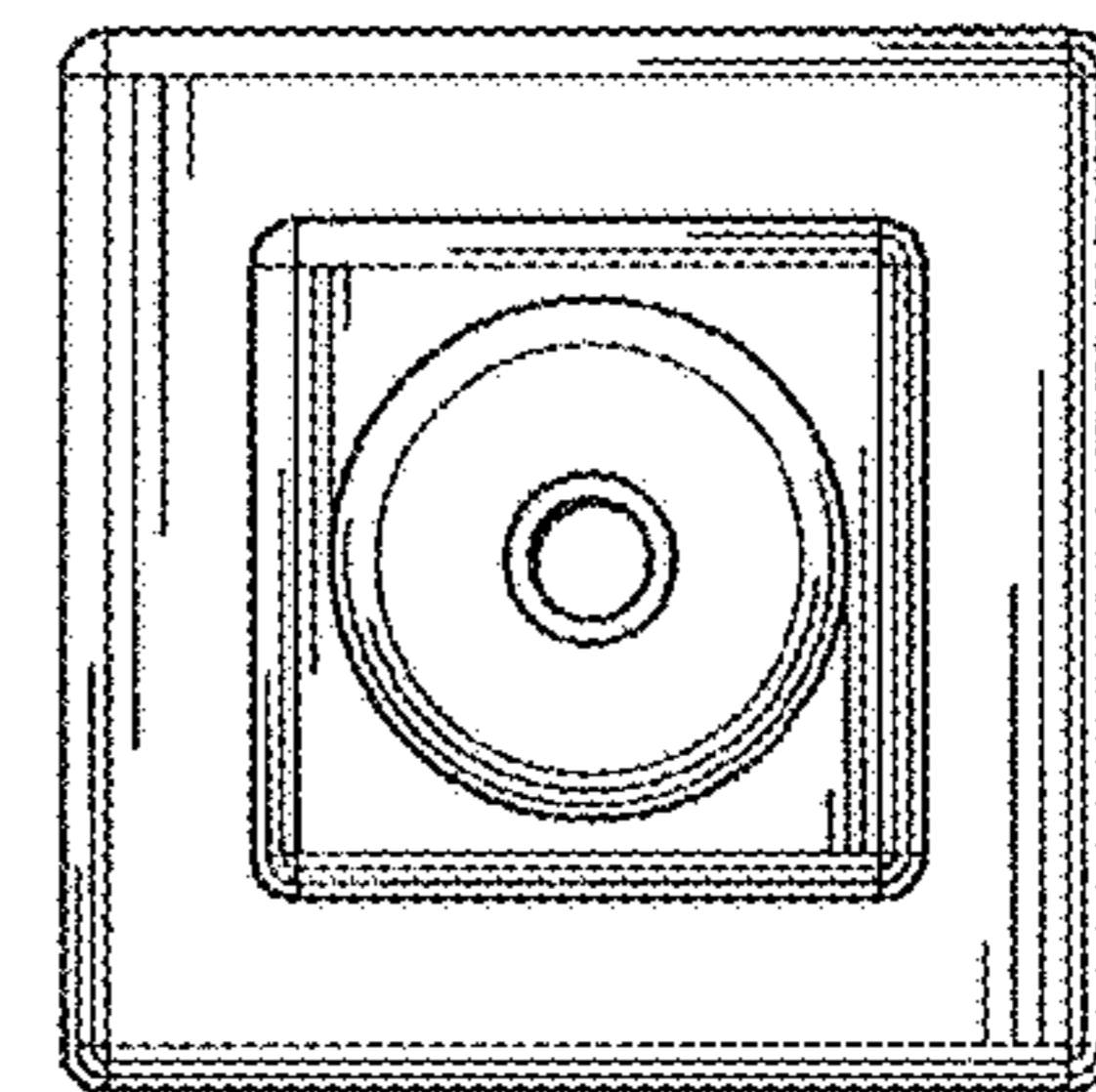


Fig. 5