



US00D845805S

(12) **United States Design Patent** (10) **Patent No.:** **US D845,805 S**
Williams (45) **Date of Patent:** **** Apr. 16, 2019**

(54) **TEE HOUSING FOR ULTRASONIC SENSOR MODULE**

(71) Applicant: **Great Plains Industries, Inc.**, Wichita, KS (US)

(72) Inventor: **Jeffrey J. Williams**, Bel Aire, KS (US)

(73) Assignee: **Great Plains Industries, Inc.**, Wichita, KS (US)

(**) Term: **15 Years**

(21) Appl. No.: **29/622,162**

(22) Filed: **Oct. 13, 2017**

(51) **LOC (11) Cl.** **10-04**

(52) **U.S. Cl.**
USPC **D10/96**

(58) **Field of Classification Search**
USPC D10/96

CPC . G01F 1/66; G01F 1/662; G01F 1/663; G01F 1/665; G01F 1/666; G01F 1/667; G01F 1/668; G01F 5/00; G01F 5/005; G01F 15/00; G01F 15/06; G01F 15/024; G01F 15/14; G01N 29/024; G01N 29/28; G01N 29/22; G01N 29/222; G01N 2291/2836; G01N 2291/044

See application file for complete search history.

(56) **References Cited**

U.S. PATENT DOCUMENTS

3,019,647 A 2/1962 Beard et al.
3,751,979 A 8/1973 Ims
4,103,551 A 8/1978 Lynnworth
5,473,934 A 12/1995 Cobb

5,531,124 A 7/1996 Kim et al.
5,913,243 A 6/1999 Hopeck et al.
6,178,827 B1 1/2001 Feller
6,584,860 B1 7/2003 Feller et al.
6,609,430 B1 8/2003 Joshi et al.
7,093,502 B2 8/2006 Kupnik et al.
7,194,363 B2 3/2007 Schaffer et al.
7,503,225 B2 3/2009 Lang
D684,076 S * 6/2013 Furey D10/96
D685,661 S * 7/2013 Fukano D10/96
8,671,774 B2 3/2014 Murakami et al.
D710,226 S * 8/2014 Furey D10/96
8,978,482 B2 3/2015 Ozaki et al.
9,091,575 B2 7/2015 Adachi et al.
D827,469 S * 9/2018 Moser D10/96

FOREIGN PATENT DOCUMENTS

WO 2015108656 A1 7/2015

* cited by examiner

Primary Examiner — Antoine Duval Davis

(74) *Attorney, Agent, or Firm* — Husch Blackwell LLP

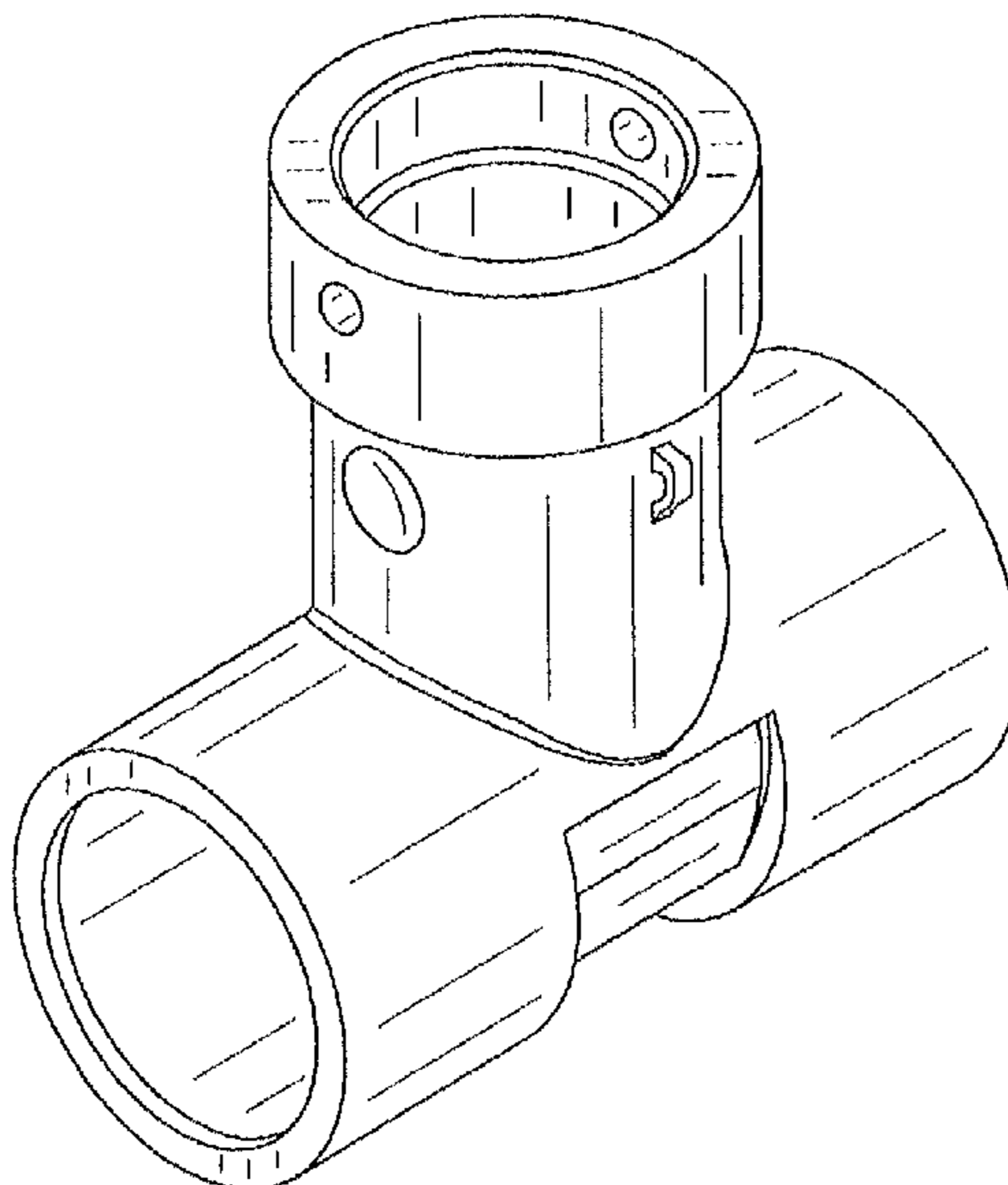
(57) **CLAIM**

I claim the ornamental design for a tee housing for ultrasonic sensor module, as shown and described.

DESCRIPTION

FIG. 1 is a front perspective view of a tee housing for an ultrasonic sensor module showing my new design; FIG. 2 is a left elevation view thereof; FIG. 3 is a right elevation view thereof; FIG. 4 is a rear elevation view thereof; FIG. 5 is a front elevation view thereof; FIG. 6 is a top plan view thereof; and, FIG. 7 is a bottom plan view thereof.

1 Claim, 3 Drawing Sheets



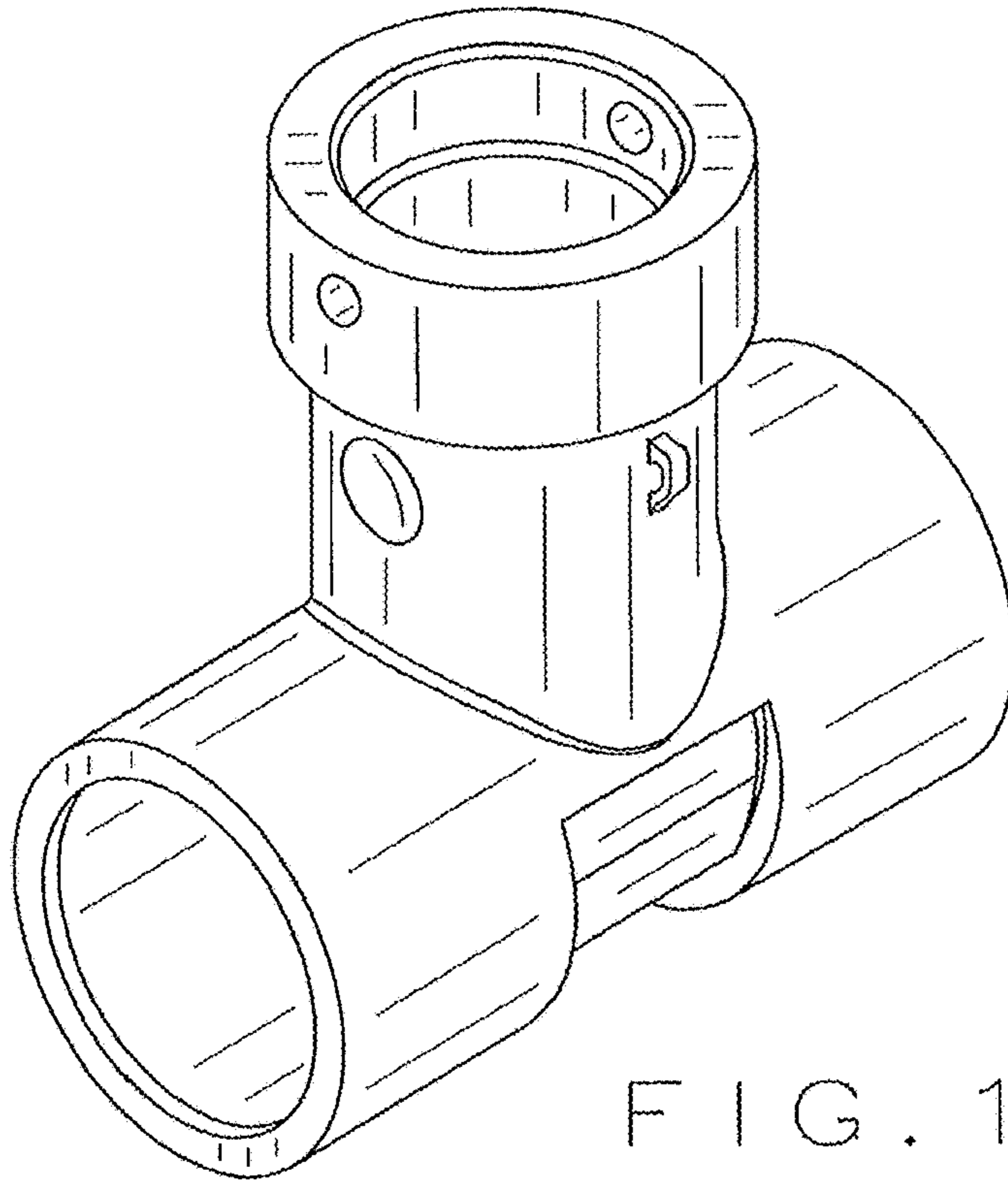


FIG. 1

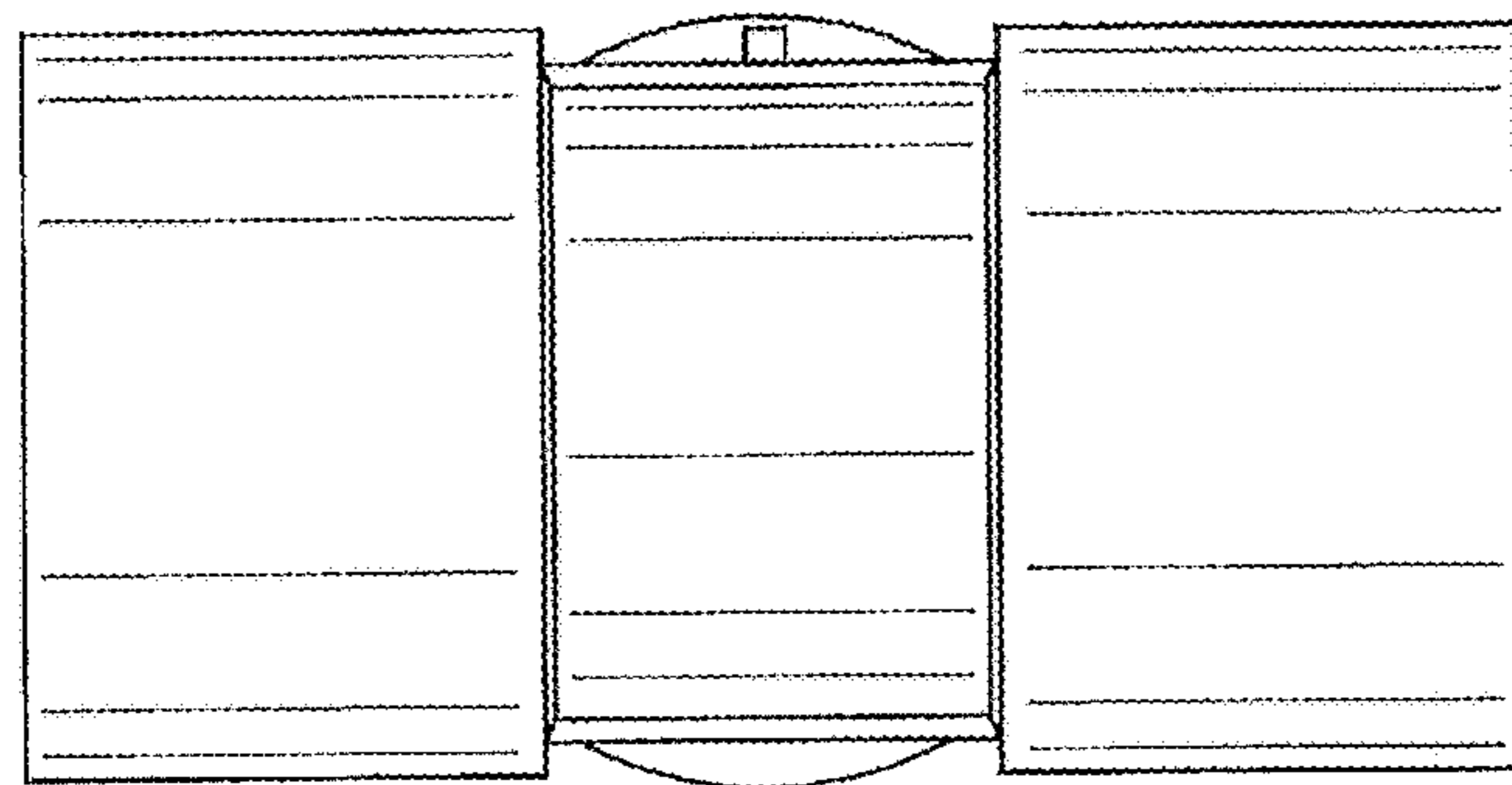


FIG. 7

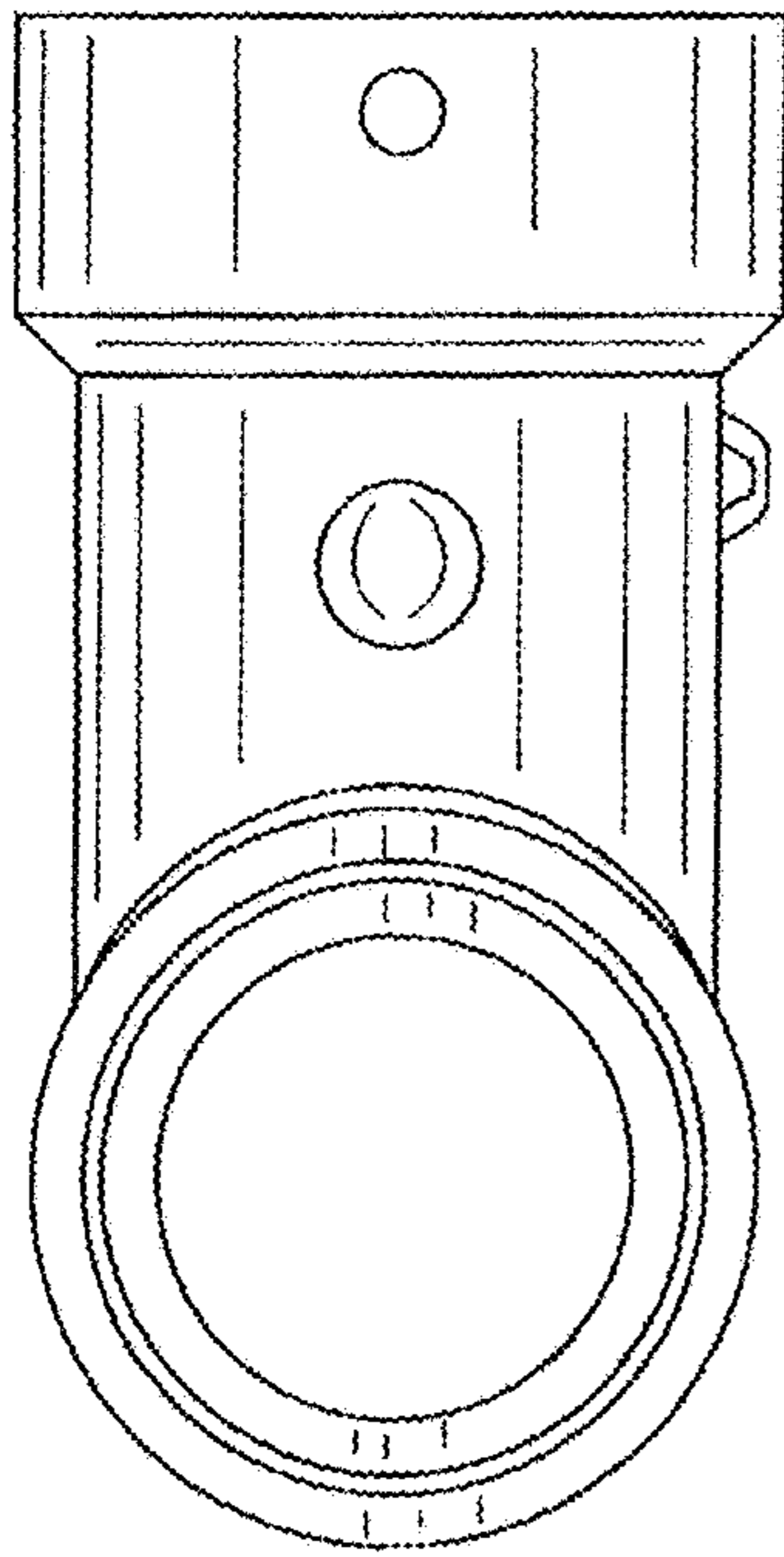


FIG. 2

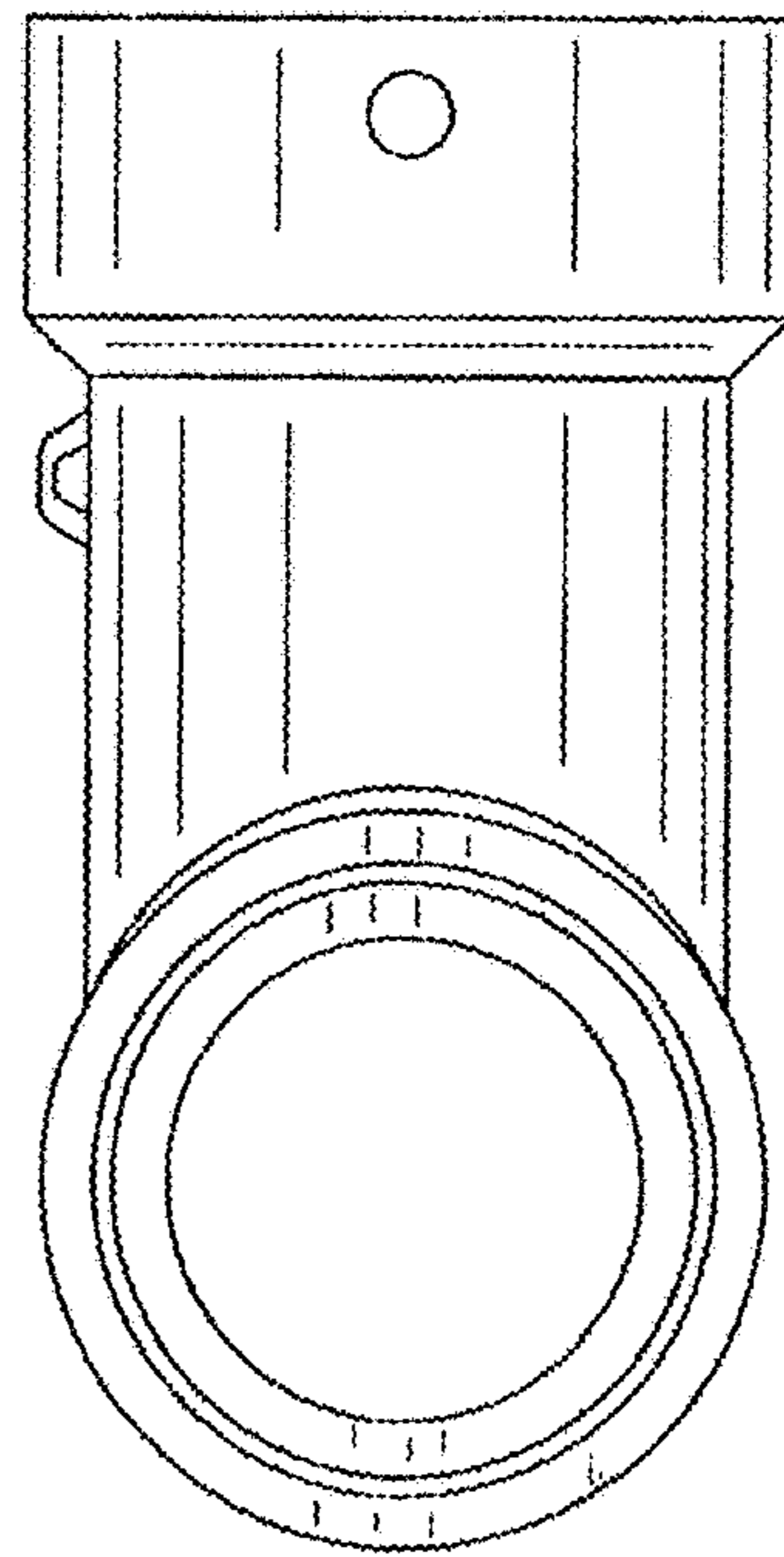


FIG. 3

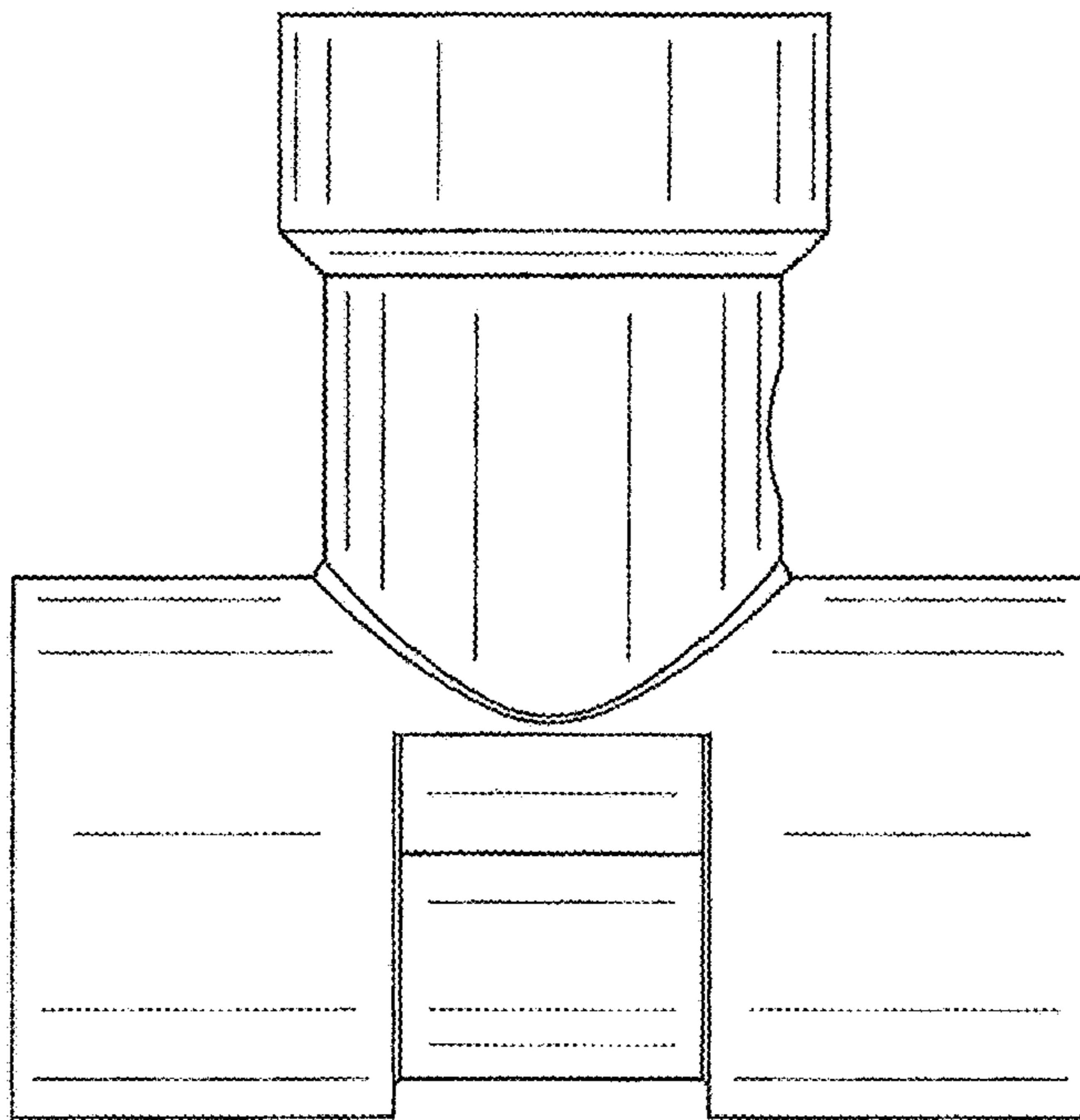


FIG. 4

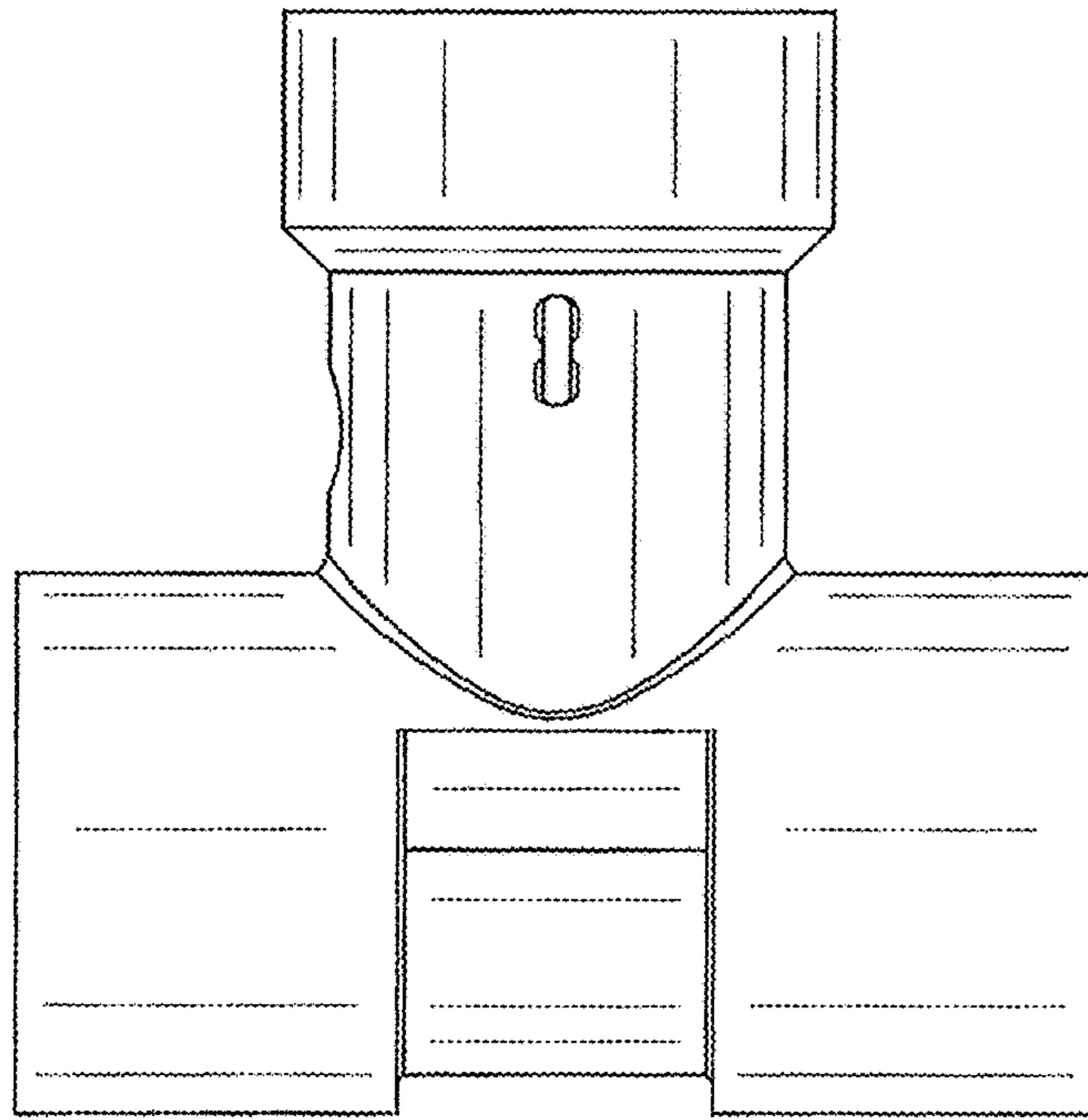


FIG. 5

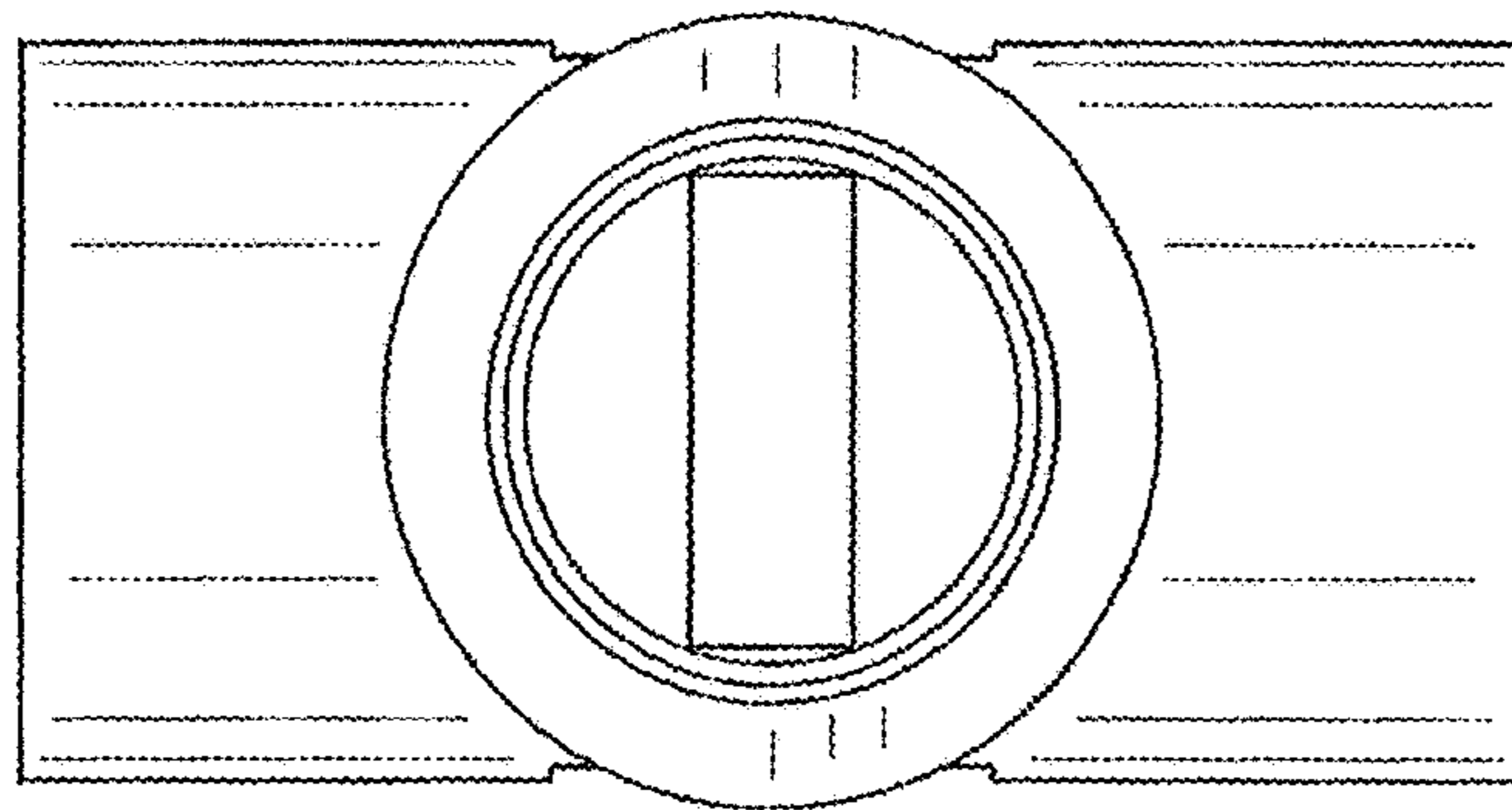


FIG. 6