



US00D845804S

(12) **United States Design Patent** (10) **Patent No.:** **US D845,804 S**  
**Williams et al.** (45) **Date of Patent:** **\*\* Apr. 16, 2019**

- (54) **INSERTION ULTRASONIC FLOW METER**
- (71) Applicant: **Great Plains Industries, Inc.**, Wichita, KS (US)
- (72) Inventors: **Jeffrey J. Williams**, Bel Aire, KS (US); **Edwin D. Fetzer, II**, Wichita, KS (US); **Kevin C. Symens**, Dell Rapids, SD (US)
- (73) Assignee: **Great Plains Industries, Inc.**, Wichita, KS (US)

6,178,827 B1	1/2001	Feller	
D456,292 S *	4/2002	Scarrott	D10/96
6,584,860 B1	7/2003	Feller et al.	
6,609,430 B1	8/2003	Joshi et al.	
7,093,502 B2	8/2006	Kupnik et al.	
7,194,363 B2	3/2007	Schaffer et al.	
7,503,225 B2	3/2009	Lang	
8,671,774 B2	3/2014	Murakami et al.	
D707,577 S *	6/2014	Marx	D10/96
8,978,482 B2	3/2015	Ozaki et al.	
9,091,575 B2	7/2015	Adachi et al.	
D739,276 S *	9/2015	Marx	D10/75
D744,363 S *	12/2015	Betsinger	D10/101
D819,473 S *	6/2018	Zi	D10/96

(\*\*) Term: **15 Years**

**FOREIGN PATENT DOCUMENTS**

(21) Appl. No.: **29/622,159**

WO 2015108656 A1 7/2015

(22) Filed: **Oct. 13, 2017**

\* cited by examiner

(51) **LOC (11) Cl.** ..... **10-04**

*Primary Examiner* — Antoine Duval Davis

(52) **U.S. Cl.**  
USPC ..... **D10/96**

(74) *Attorney, Agent, or Firm* — Husch Blackwell LLP

(58) **Field of Classification Search**  
USPC ..... D10/96  
CPC . G01F 1/66; G01F 1/662; G01F 1/663; G01F 1/665; G01F 1/666; G01F 1/667; G01F 1/668; G01F 5/00; G01F 5/005; G01F 15/00; G01F 15/06; G01F 15/024; G01F 15/14; G01N 29/024; G01N 29/28; G01N 29/22; G01N 29/222; G01N 2291/2836; G01N 2291/044

(57) **CLAIM**

We claim the ornamental design for an insertion ultrasonic flow meter, as shown and described.

See application file for complete search history.

**DESCRIPTION**

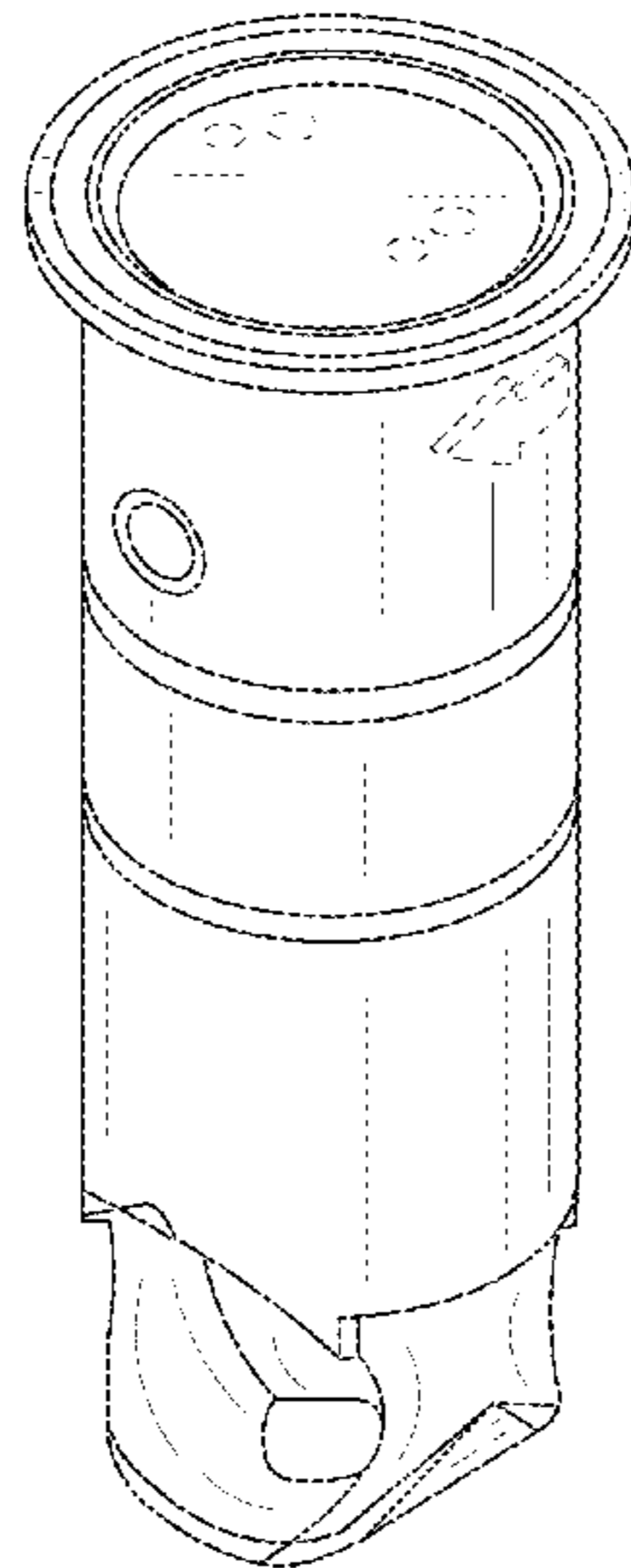
FIG. 1 is a front perspective view of an insertion ultrasonic flow meter showing our new design; FIG. 2 is a left elevation view thereof; FIG. 3 is a right elevation view thereof; FIG. 4 is a rear elevation view thereof; FIG. 5 is a front elevation view thereof; FIG. 6 is a top plan view thereof; and, FIG. 7 is a bottom plan view thereof. Broken lines and the area within the broken lines are for illustrative purposes only and form no part of the claimed design.

(56) **References Cited**

**U.S. PATENT DOCUMENTS**

3,019,647 A	2/1962	Beard et al.
3,751,979 A	8/1973	Ims
4,103,551 A	8/1978	Lynnworth
5,473,934 A	12/1995	Cobb
5,531,124 A	7/1996	Kim et al.
5,913,243 A	6/1999	Hopeck et al.

**1 Claim, 3 Drawing Sheets**



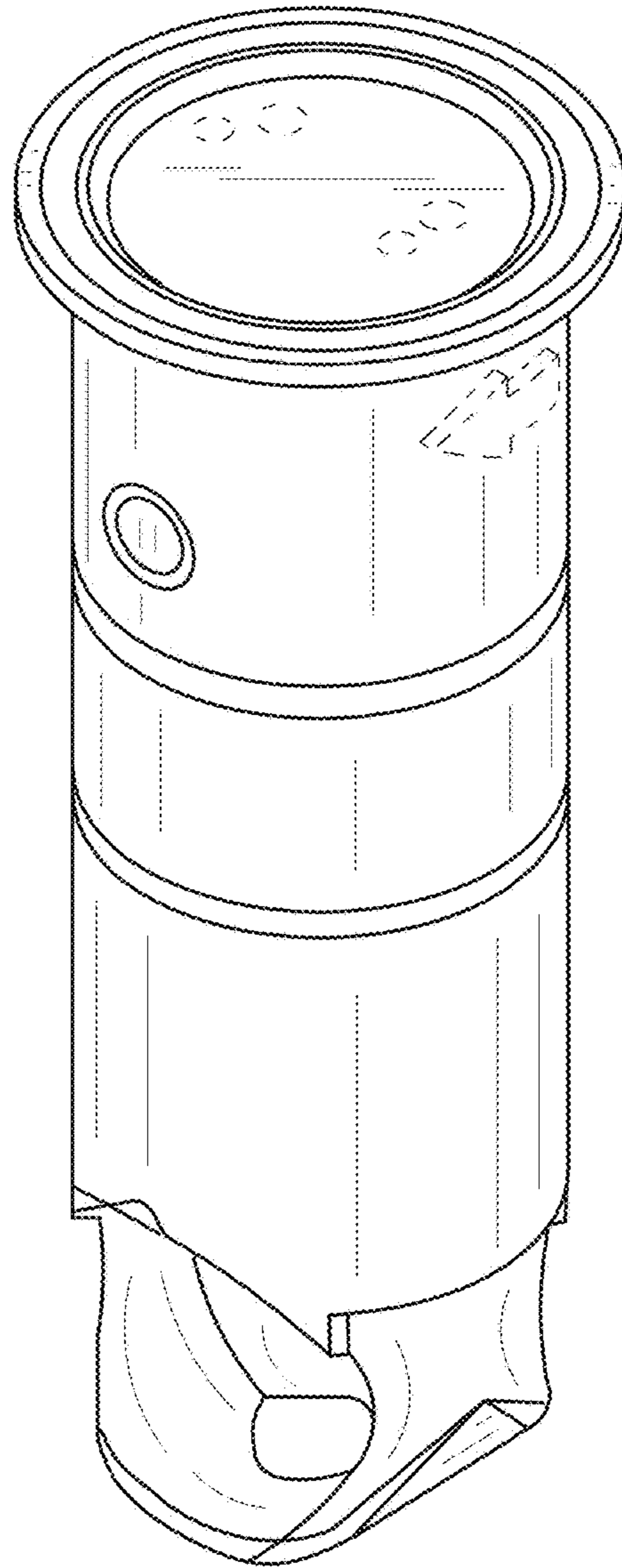


FIG. 1

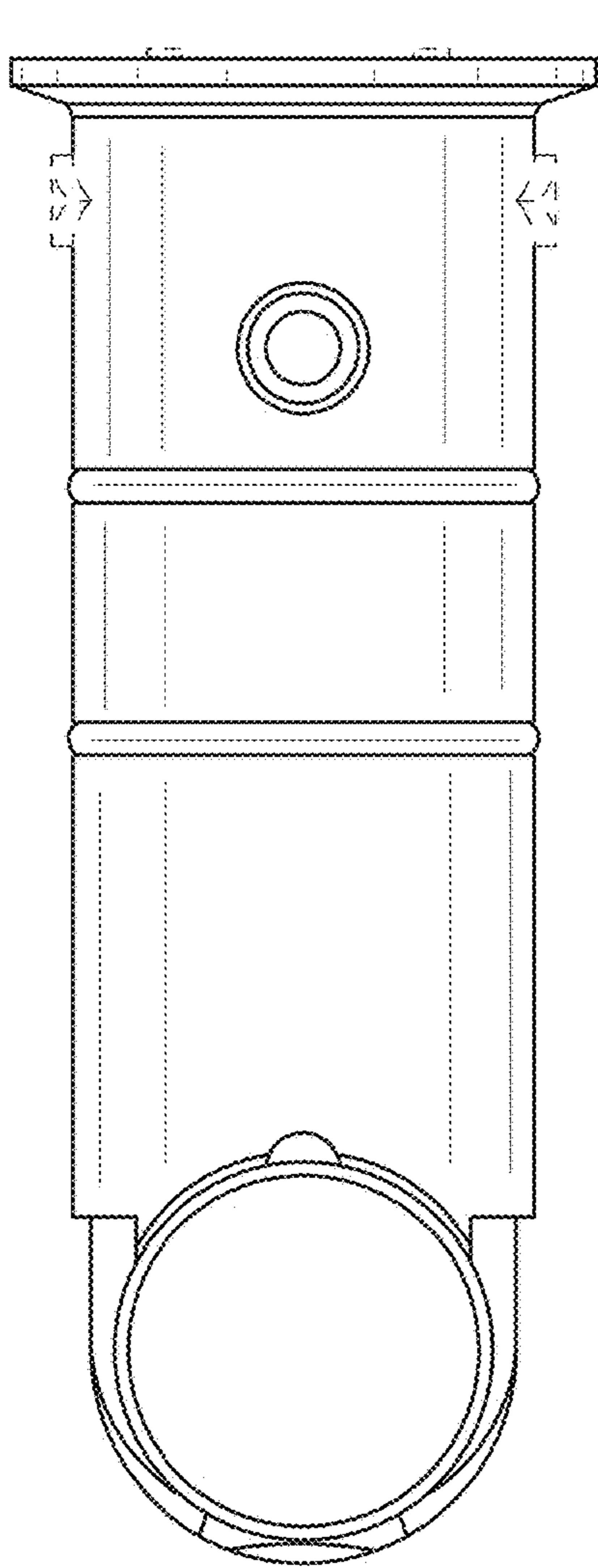


FIG. 2

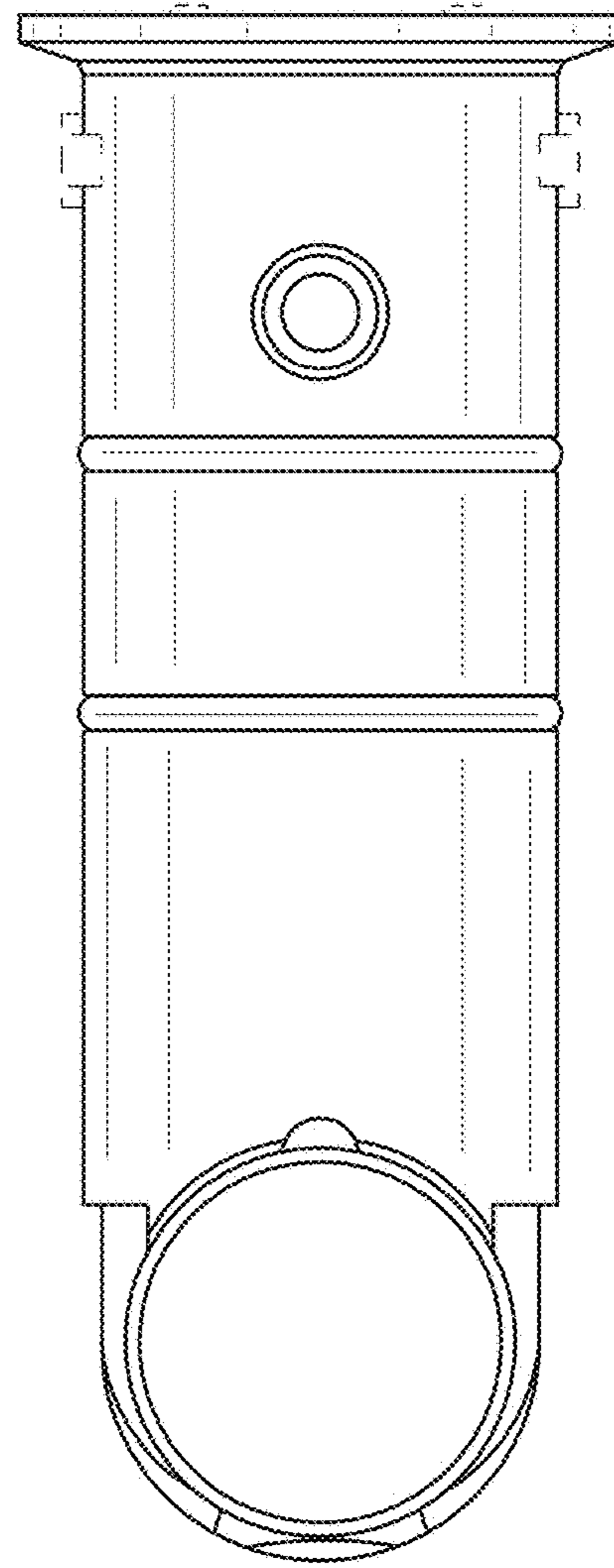


FIG. 3

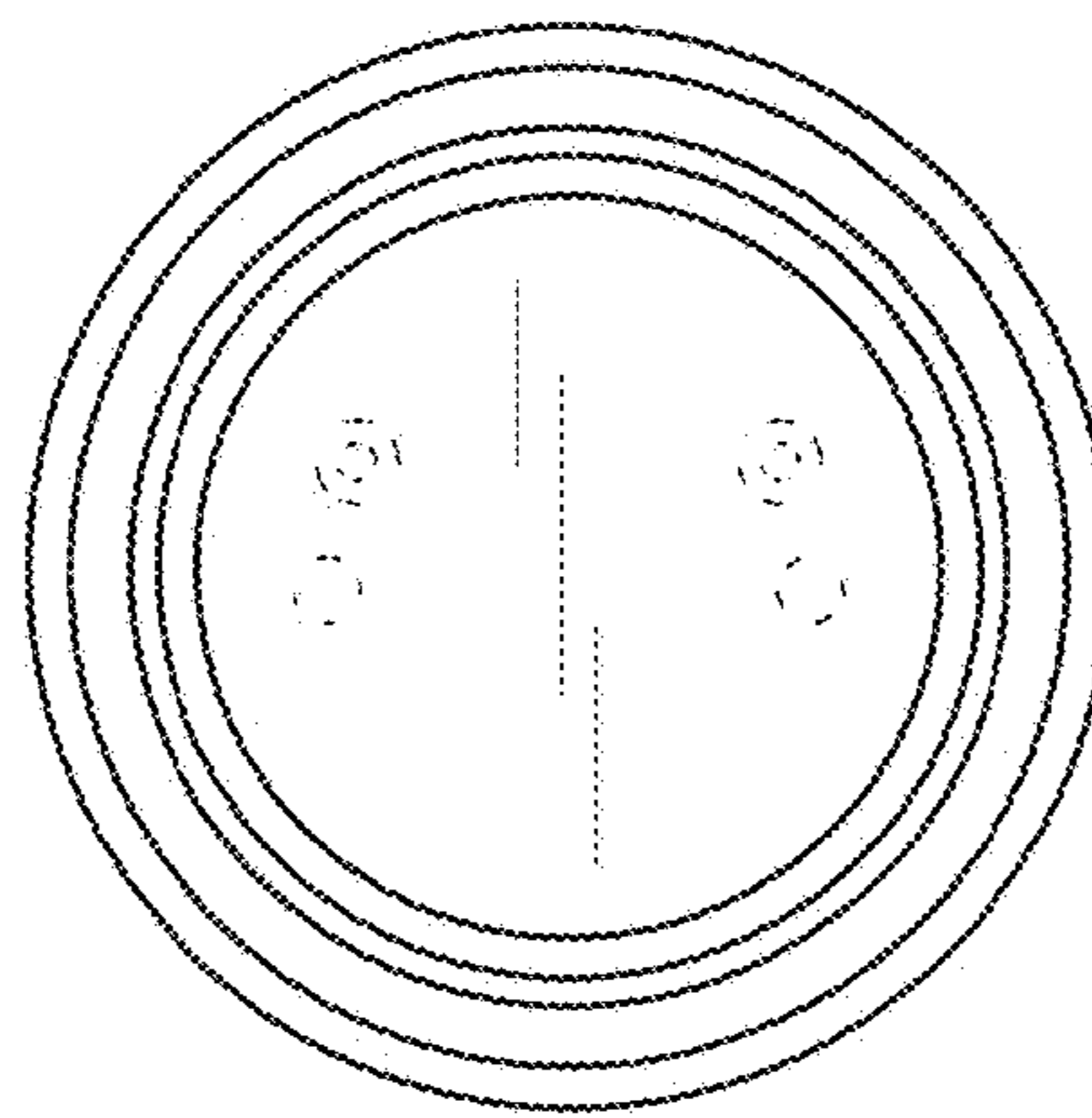


FIG. 6

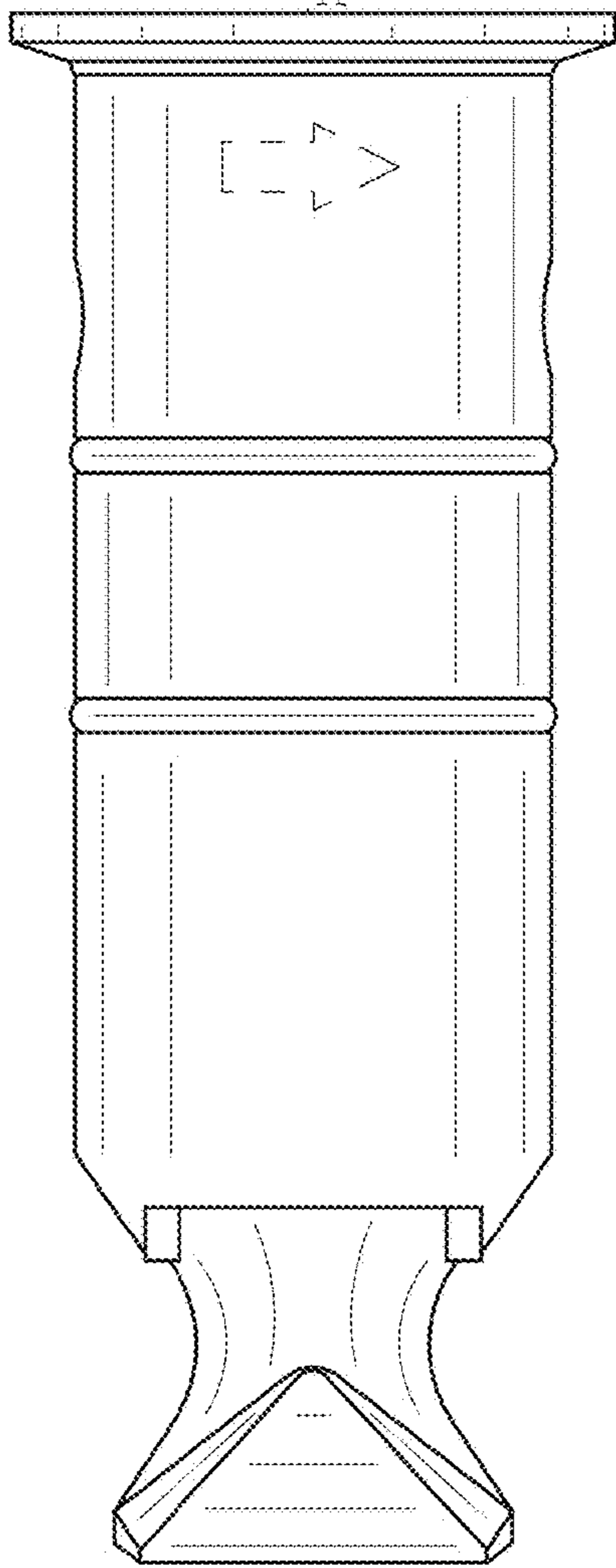


FIG. 4

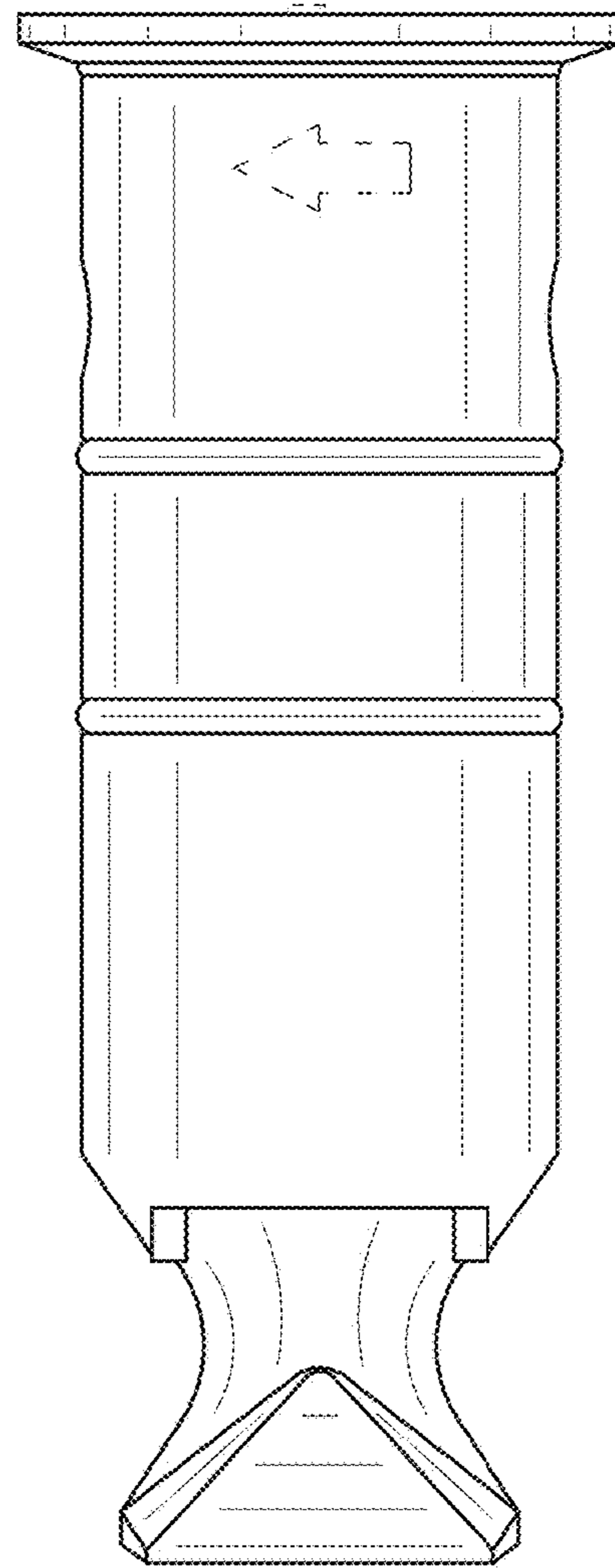


FIG. 5

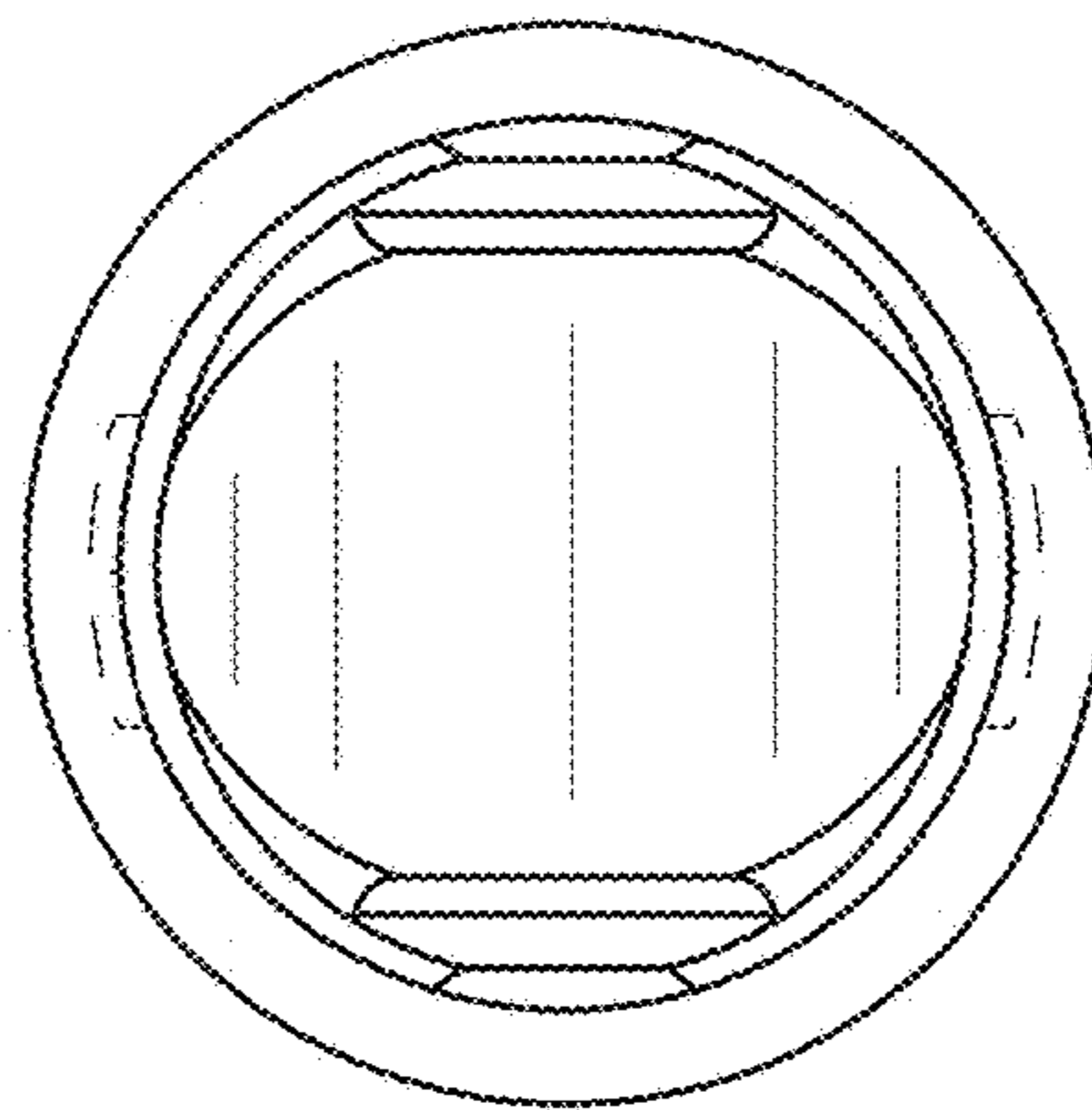


FIG. 7