



US00D845803S

(12) **United States Design Patent**
Imai

(10) **Patent No.:** **US D845,803 S**
(45) **Date of Patent:** **** Apr. 16, 2019**

(54) **FLUID APPARATUS FOR SEMICONDUCTOR
MANUFACTURING EQUIPMENT**

FOREIGN PATENT DOCUMENTS

JP 2014-105844 6/2014

(71) Applicant: **SURPASS INDUSTRY CO., LTD.**,
Saitama (JP)

OTHER PUBLICATIONS

Japanese Office Action for Japanese Application No. 2015-023228
dated Jun. 14, 2016 with English translation.

(72) Inventor: **Takashi Imai**, Saitama (JP)

(Continued)

(73) Assignee: **Surpass Industry Co., Ltd.**, Gyoda-shi,
Saitama (JP)

Primary Examiner — Elizabeth J Oswecki

(**) Term: **15 Years**

(74) *Attorney, Agent, or Firm* — Muncy, Geissler, Olds &
Lowe, P.C.

(21) Appl. No.: **29/561,806**

(57) **CLAIM**

The ornamental design for a fluid apparatus for semicon-
ductor manufacturing equipment, as shown and described.

(22) Filed: **Apr. 20, 2016**

DESCRIPTION

(30) **Foreign Application Priority Data**

Oct. 20, 2015 (JP) 2015-023228

(51) **LOC (11) Cl.** **13-03**

(52) **U.S. Cl.**
USPC **D10/96**

(58) **Field of Classification Search**

USPC D10/46, 96, 99; D13/182; 251/89, 96,
251/95, 94, 101; 70/175, 177, 179;
73/700-756, 861, 861.41; 116/266-272
CPC F16K 31/44; F16K 31/12; G05D 7/0193;
G05D 7/0153; G05D 16/185; G05D
16/2086

See application file for complete search history.

The file of this patent contains at least one drawing/photo-
graph executed in color. Copies of this patent with color
drawing(s)/photograph(s) will be provided by the Office upon
request and payment of the necessary fee.

FIG. 1 is a front view of a fluid apparatus for semiconductor
manufacturing equipment showing my new design;

FIG. 2 is a rear view thereof;

FIG. 3 is a left side view thereof;

FIG. 4 is a right side view thereof;

FIG. 5 is a top view thereof;

FIG. 6 is a bottom view thereof; and,

FIG. 7 is an enlarged view of encircled portion labeled FIG.
7 in FIG. 1.

The drawings are lined for the color black.

Figures indicated in broken lines in the drawings represent
environmental structure, which forms no part of the claimed
design. Dash-dot lines in the drawings represent the bound-
ary of the claimed design. In FIGS. 1-4, the solid-color
portion at the center of the claimed design represents a
black-colored portion.

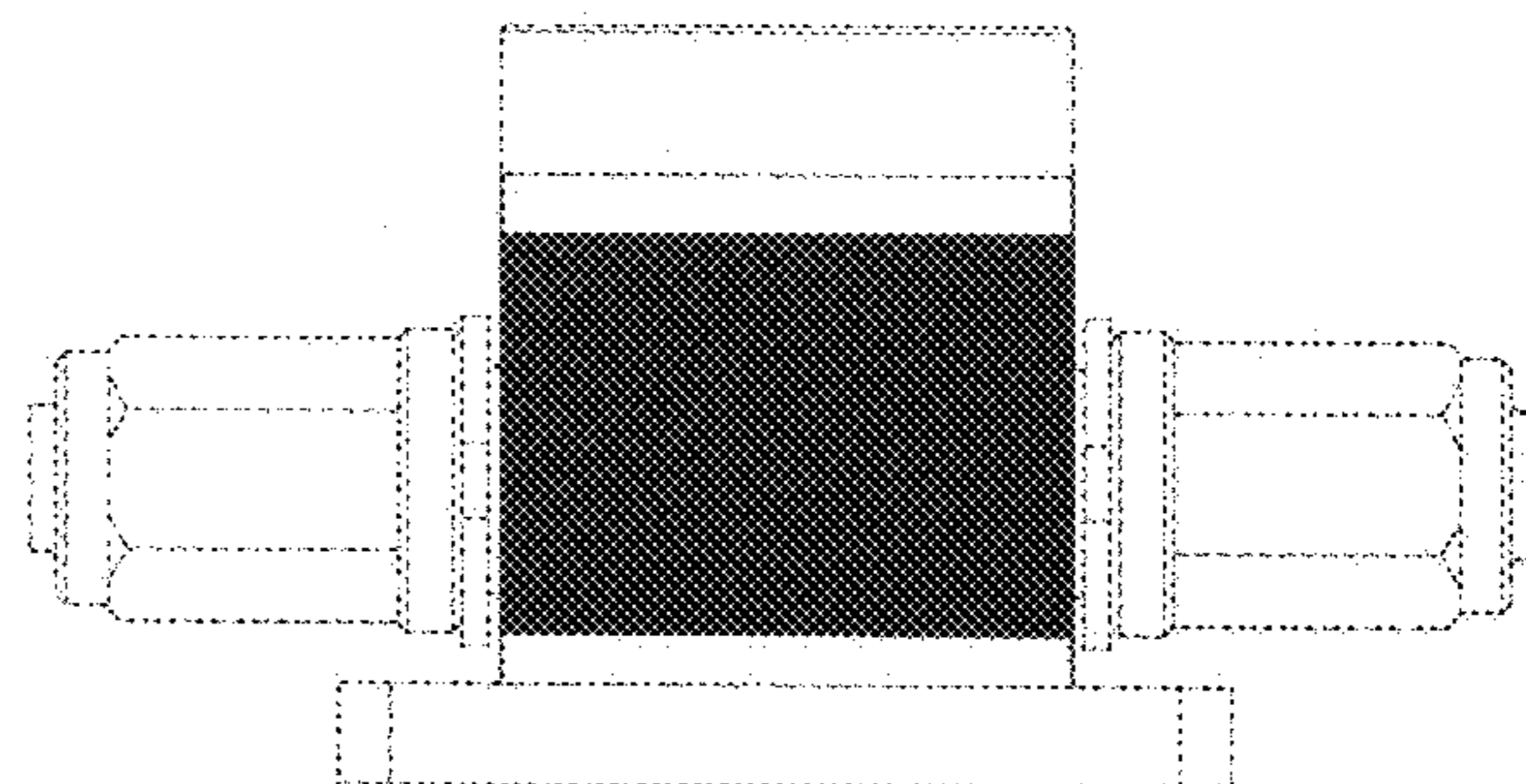
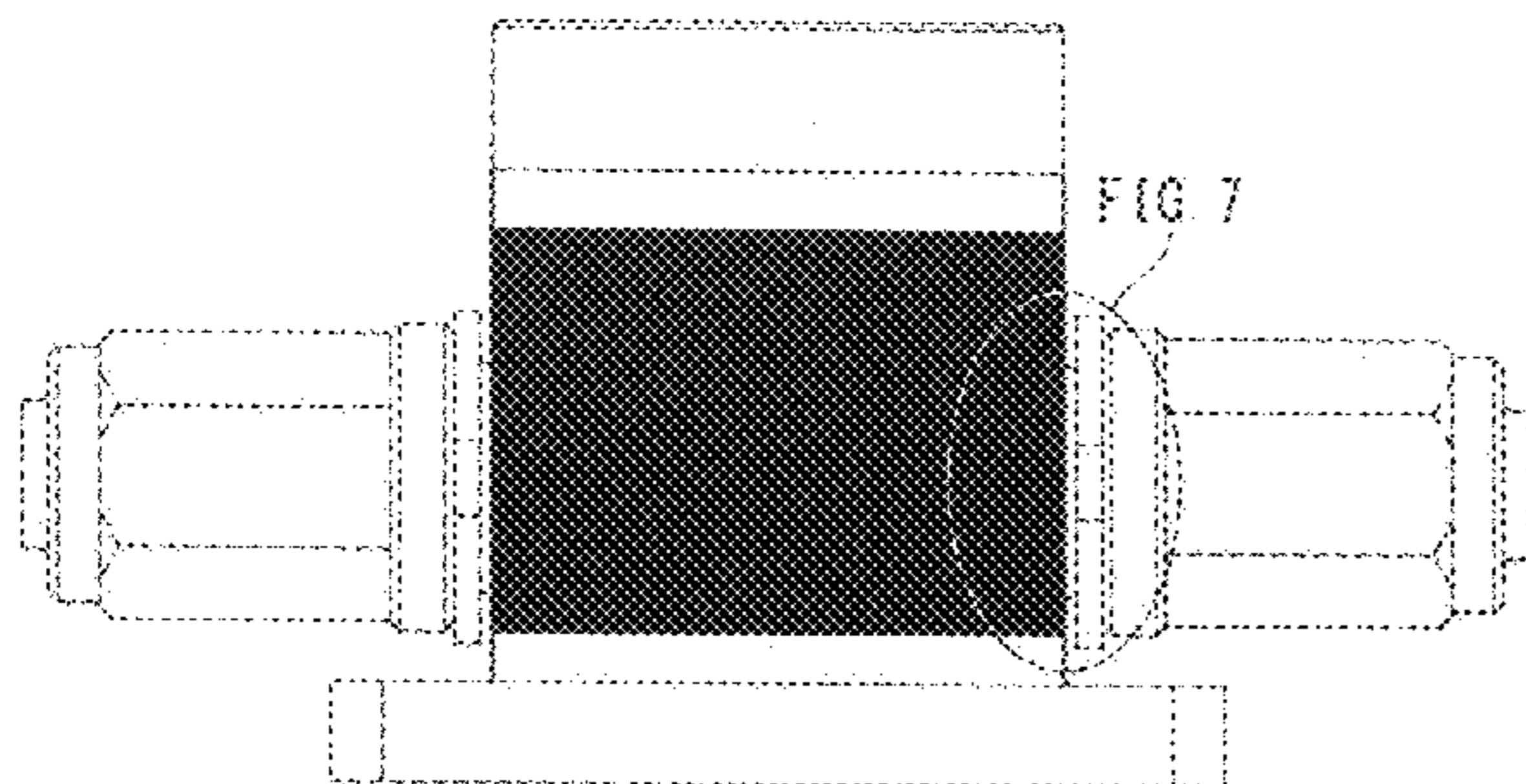
(56) **References Cited**

U.S. PATENT DOCUMENTS

1,886,763 A * 11/1932 Trettin A23G 9/48
426/660
2,685,517 A * 8/1954 Dunmire A23K 40/10
100/906

(Continued)

1 Claim, 4 Drawing Sheets
(3 of 4 Drawing Sheet(s) Filed in Color)



(56)

References Cited

U.S. PATENT DOCUMENTS

3,344,805 A * 10/1967 Wapner F16K 31/36
137/486
3,369,283 A * 2/1968 Colding B23B 27/141
407/113
3,512,550 A * 5/1970 Ammann F16K 31/365
137/553
4,714,660 A * 12/1987 Gates, Jr. B24D 3/001
428/450
4,824,072 A * 4/1989 Zakai F16K 7/075
251/5
D335,096 S * 4/1993 Marsh D10/96
5,441,231 A * 8/1995 Payne F16K 7/066
251/5
5,712,030 A * 1/1998 Goto B23B 27/145
407/119
6,047,943 A * 4/2000 Hussey F16K 7/075
251/358
6,062,257 A * 5/2000 Wild F24D 19/1015
137/501
6,182,688 B1 * 2/2001 Fabre G05D 7/0106
137/500
D447,072 S * 8/2001 Asai D10/96
6,932,107 B2 * 8/2005 Kirchner F16K 31/363
137/501
6,932,318 B2 * 8/2005 Igarashi F16K 31/1221
251/60

D616,177 S * 5/2010 Brown D1/127
8,439,328 B2 * 5/2013 Takeshita F16K 31/1262
251/368
D685,661 S * 7/2013 Fukano D10/96
D685,978 S * 7/2013 Jani D1/127
D687,730 S * 8/2013 Fukano D10/96
D688,439 S * 8/2013 Jani D1/127
8,607,873 B2 * 12/2013 Aadnoy E21B 34/08
166/320
9,453,587 B2 * 9/2016 Igarashi F16K 31/44
D800,590 S * 10/2017 Kuppi D10/96
2009/0214720 A1 * 8/2009 Almenares A23G 9/48
426/101
2014/0145099 A1 5/2014 Igarashi et al.

OTHER PUBLICATIONS

Asahi Yukizai Corporation, "Diaphragm Valve," at <http://www.asahi-yukizai.co.jp/jn/about-corp/news/detail/174-pdf.pdf>, pp. 1-2, (Jan. 11, 2010).
Toro, "TPV and TPVF Series Valves," at <http://www.toro.com/irrigation/res/valves/tpv/brochures/tpv%20sheet.pdf>, pp. 1-2, (Jun. 8, 2010).
CKD, "New Products: Valve," at <http://www.ckd.co.jp/newproduct/cc1082.htm>, pp. 1-2 (Oct. 1, 2012).
Korean Office Action for Korean Application No. 30-2016-0018543 dated Oct. 24, 2016 with English translation.

* cited by examiner

FIG. 1

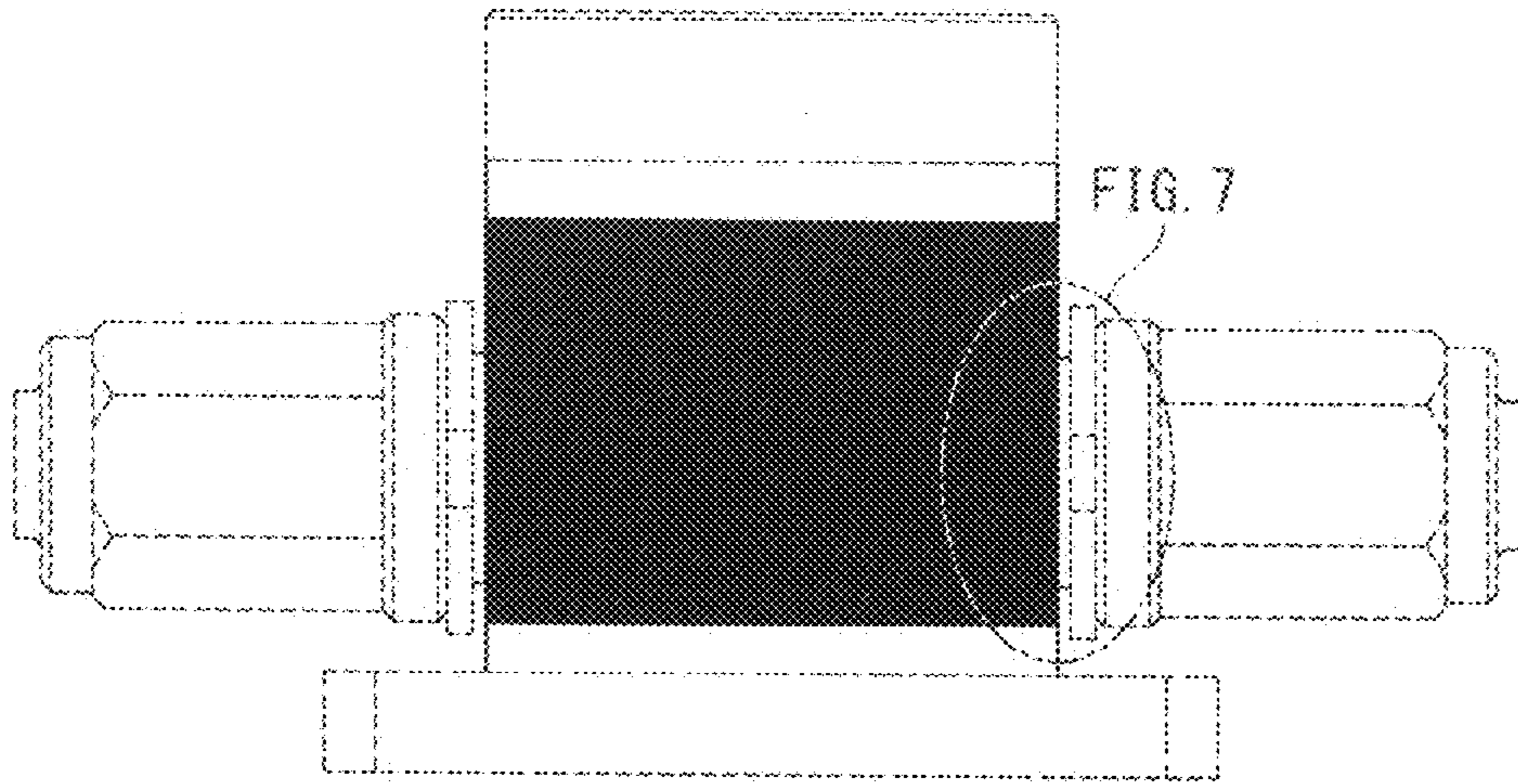


FIG. 2

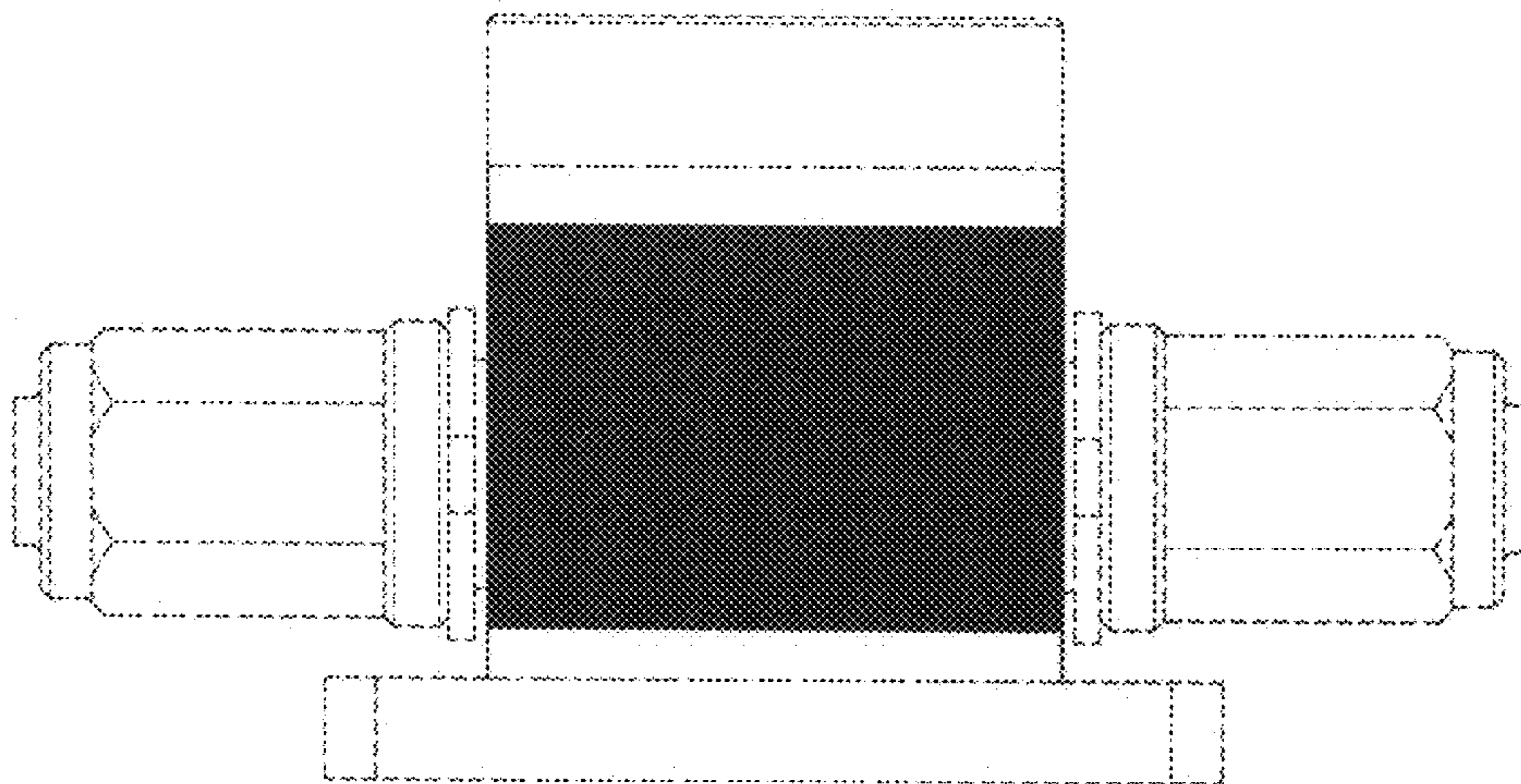


FIG. 3

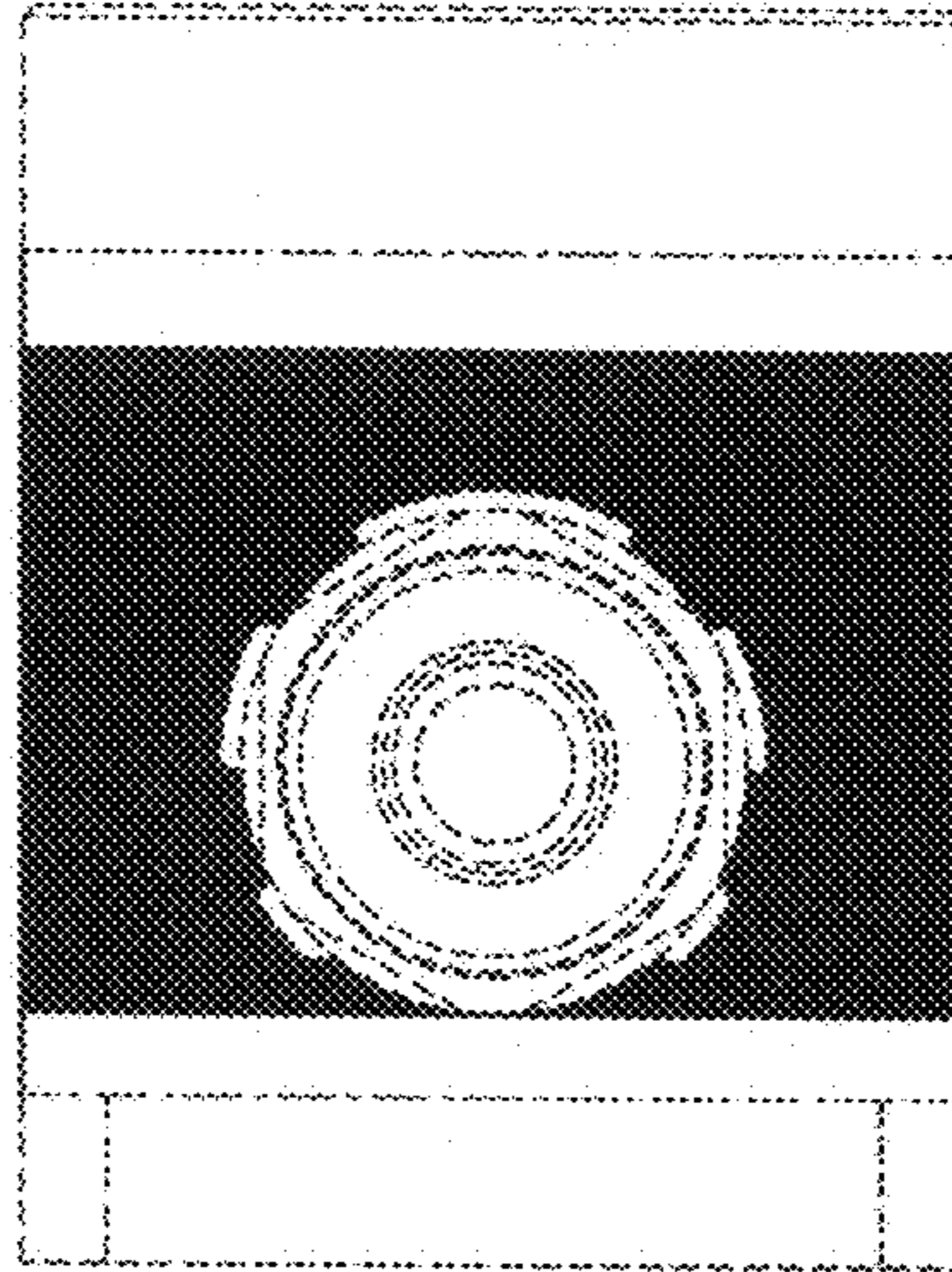


FIG. 4

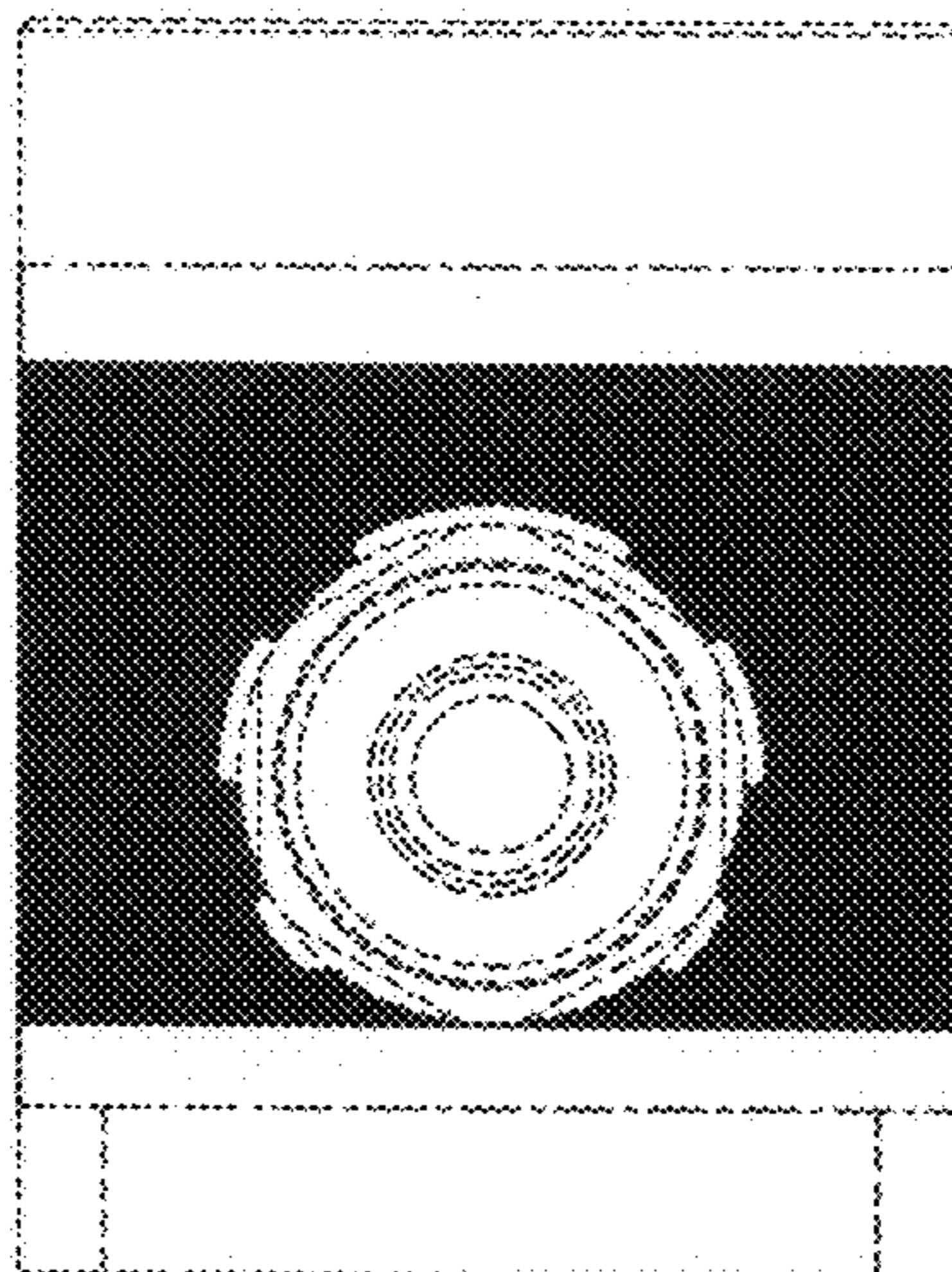


FIG. 5

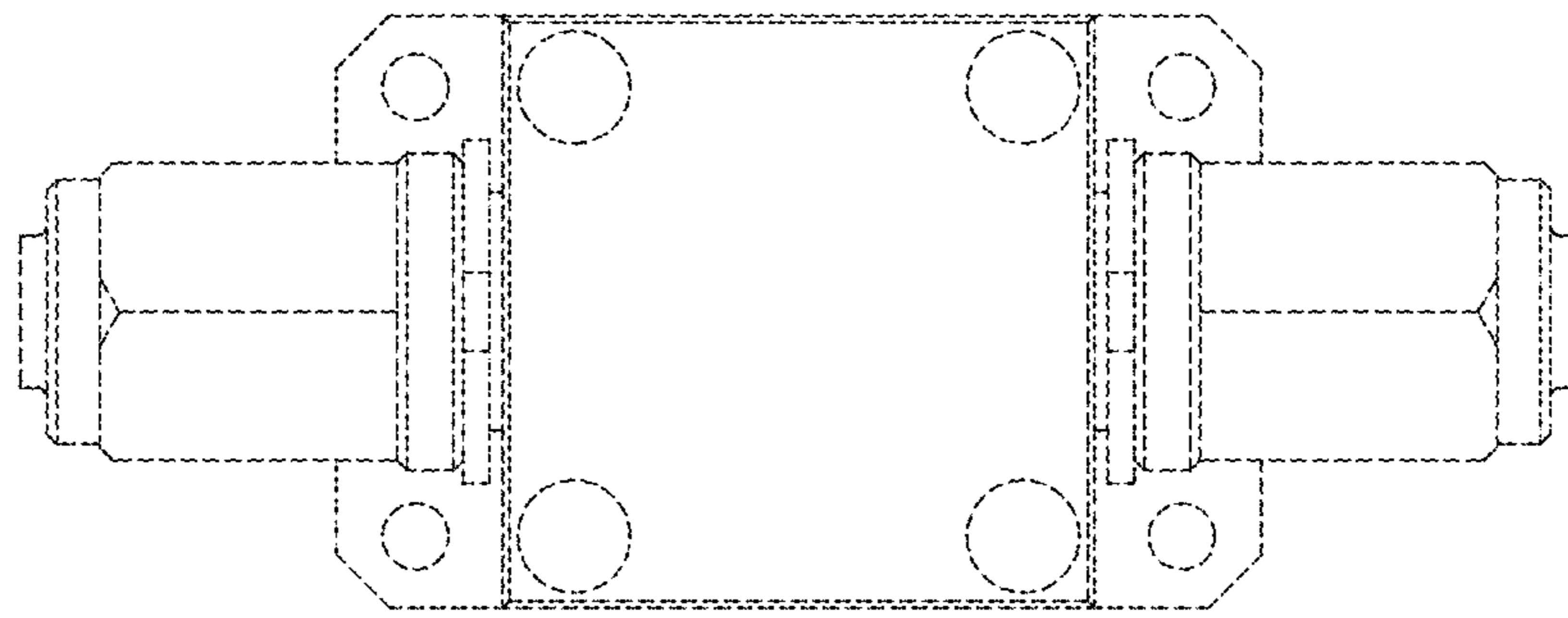


FIG. 6



FIG. 7

