



US00D845801S

(12) **United States Design Patent** (10) **Patent No.:** **US D845,801 S**  
**Lee** (45) **Date of Patent:** **\*\* Apr. 16, 2019**

(54) **SCALE**

(71) Applicant: **JIANGYIN SUOFEI ELECTRONIC TECHNOLOGY CO., LTD.**, Jiangyin (CN)

(72) Inventor: **Justin Lee**, Jiangyin (CN)

(73) Assignee: **JIANGYIN SUOFEI ELECTRONIC TECHNOLOGY CO., LTD.**, Jiangyin (CN)

(\*\*) Term: **15 Years**

(21) Appl. No.: **29/633,575**

(22) Filed: **Jan. 15, 2018**

(51) **LOC (11) Cl.** ..... **10-04**

(52) **U.S. Cl.**  
USPC ..... **D10/91**

(58) **Field of Classification Search**  
USPC ..... D10/91, 94  
CPC ..... A61B 5/053; A61B 5/4872; A61B 5/0537;  
A61B 5/4869; A61B 5/6825; A61B  
5/6829; A61B 5/7445; G01G 19/44;  
G01G 19/445; G01G 19/46; G01G 19/48;  
G01G 19/50; G01G 21/28; G01G 21/283;  
G01G 19/286; G01G 19/30

See application file for complete search history.

(56) **References Cited**

U.S. PATENT DOCUMENTS

6,516,221 B1 \* 2/2003 Hirouchi ..... A61B 5/0537  
600/547  
6,665,561 B2 \* 12/2003 Baba ..... A61B 5/0535  
600/547  
D523,366 S \* 6/2006 Ulrich ..... D10/92  
D587,152 S \* 2/2009 Scholpp ..... D10/92  
D742,264 S \* 11/2015 Pan ..... D10/91  
D774,949 S \* 12/2016 Okuyama ..... D12/92  
D801,837 S \* 11/2017 Tsai ..... D10/91  
D830,211 S \* 10/2018 Pan ..... D10/91

\* cited by examiner

*Primary Examiner* — Antoine Duval Davis

(74) *Attorney, Agent, or Firm* — W&K IP

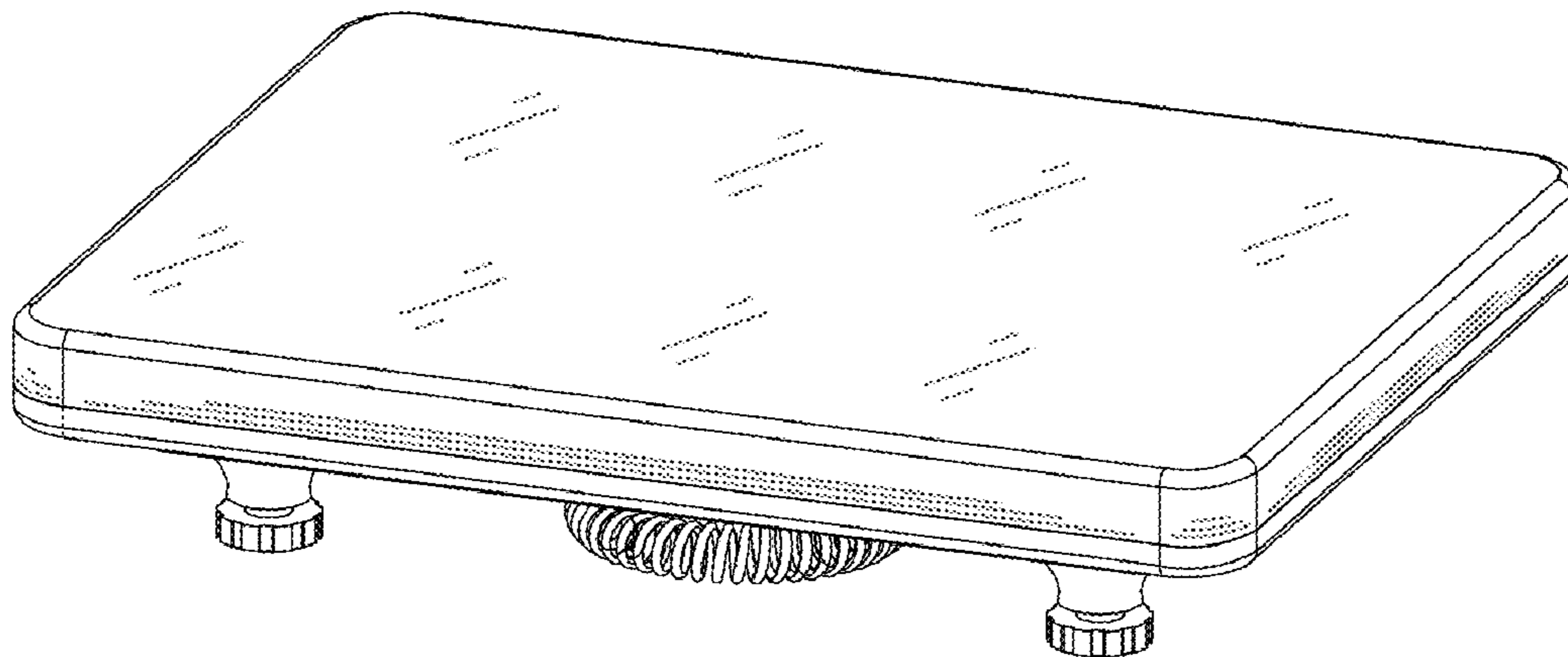
(57) **CLAIM**

The ornamental design for a scale, as shown and described.

**DESCRIPTION**

FIG. 1 is a perspective view of a scale;  
FIG. 2 is a front elevation view thereof;  
FIG. 3 is a rear elevation view thereof;  
FIG. 4 is a left side elevation view thereof;  
FIG. 5 is a right side elevation view thereof;  
FIG. 6 is a top plan view thereof; and,  
FIG. 7 is a bottom plan view thereof.

**1 Claim, 7 Drawing Sheets**



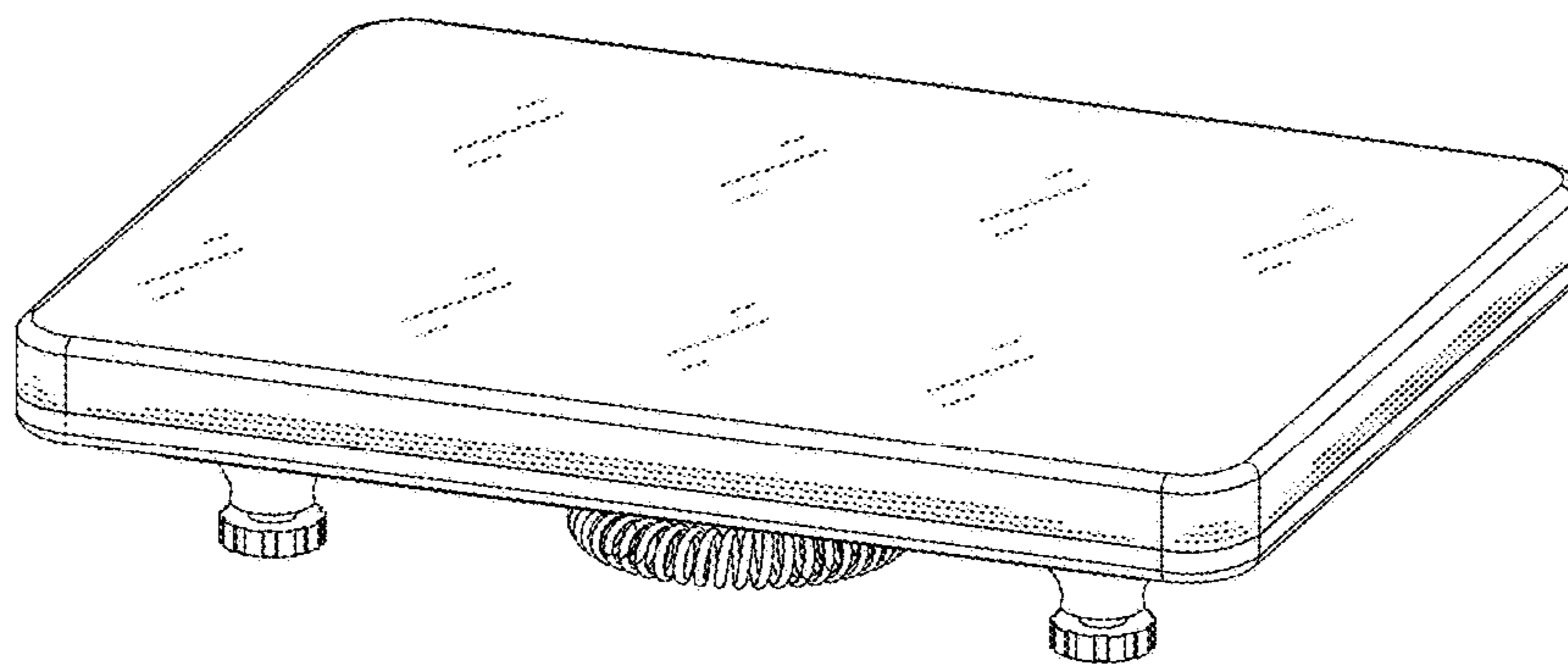


FIG. 1

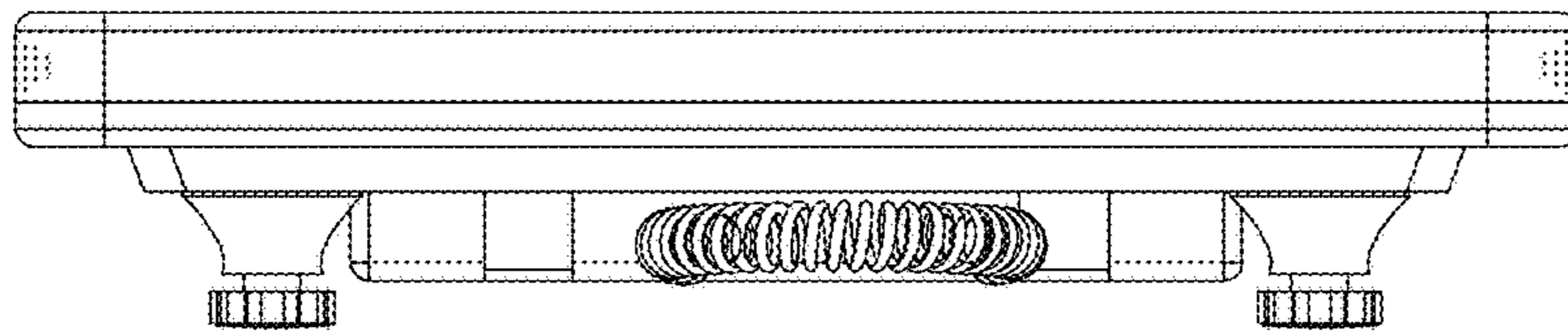


FIG.2

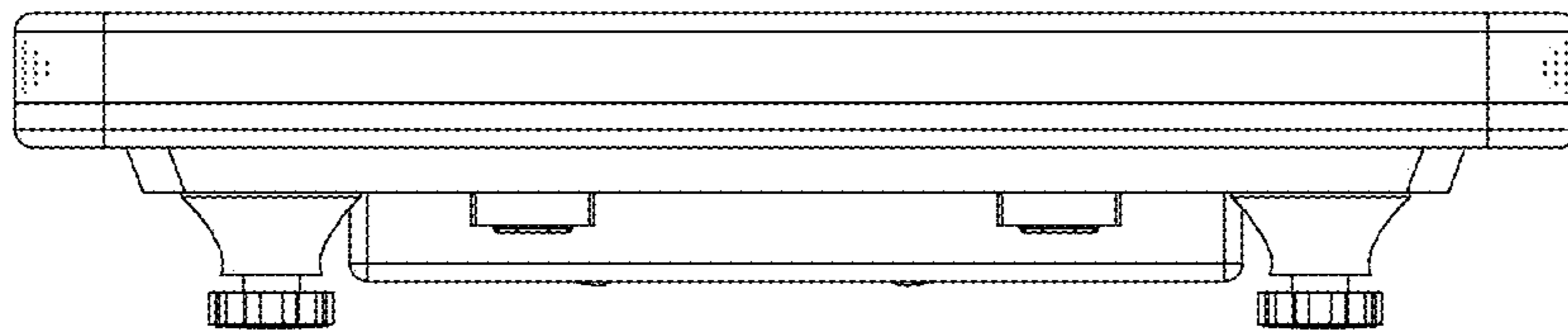


FIG.3

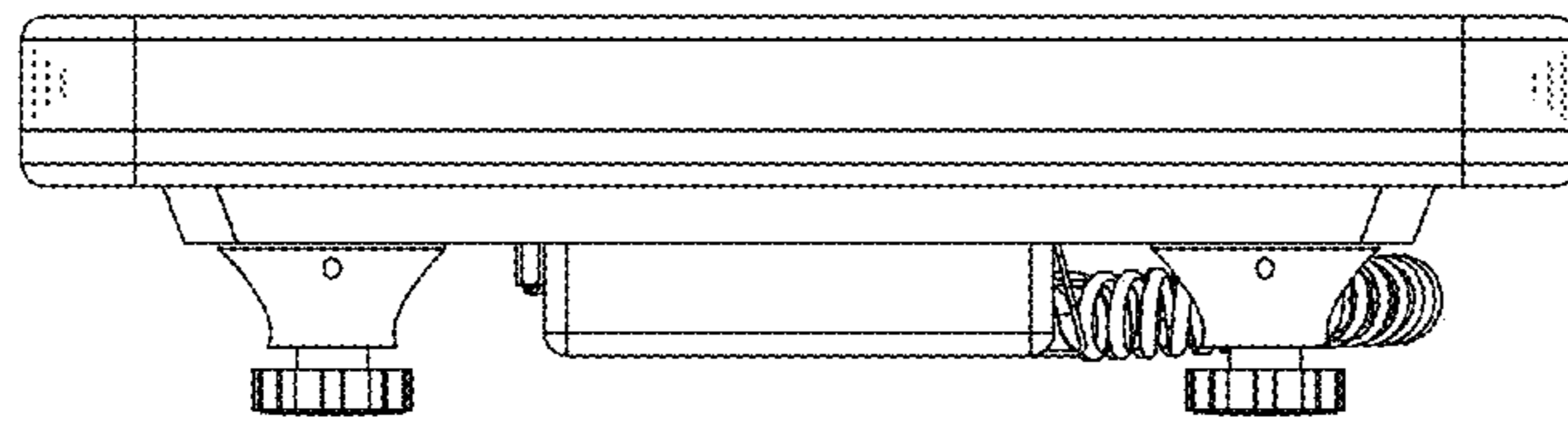


FIG.4

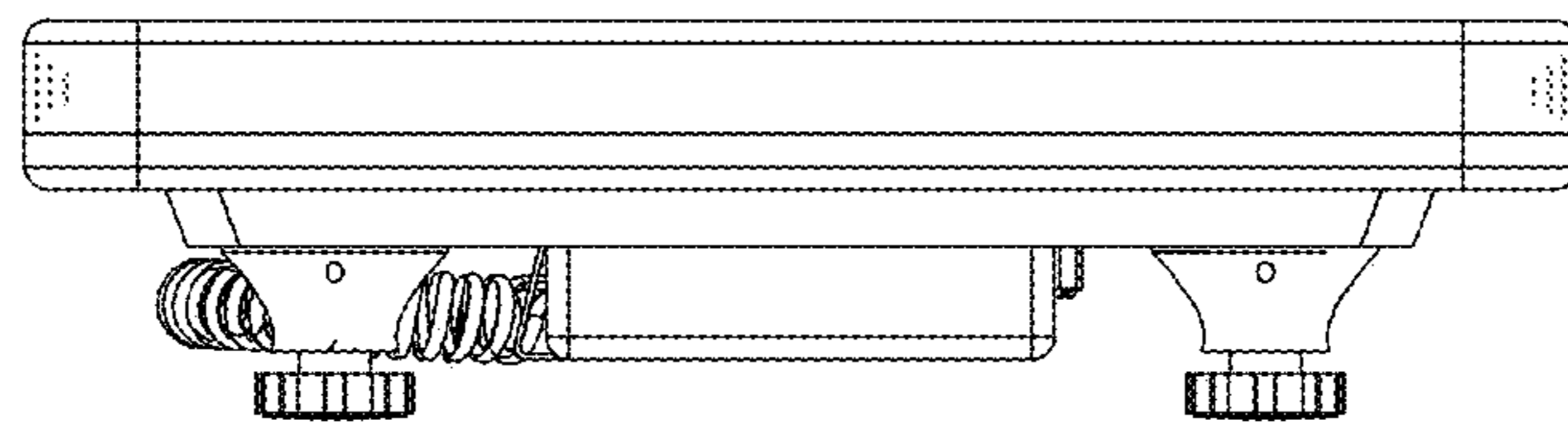


FIG.5

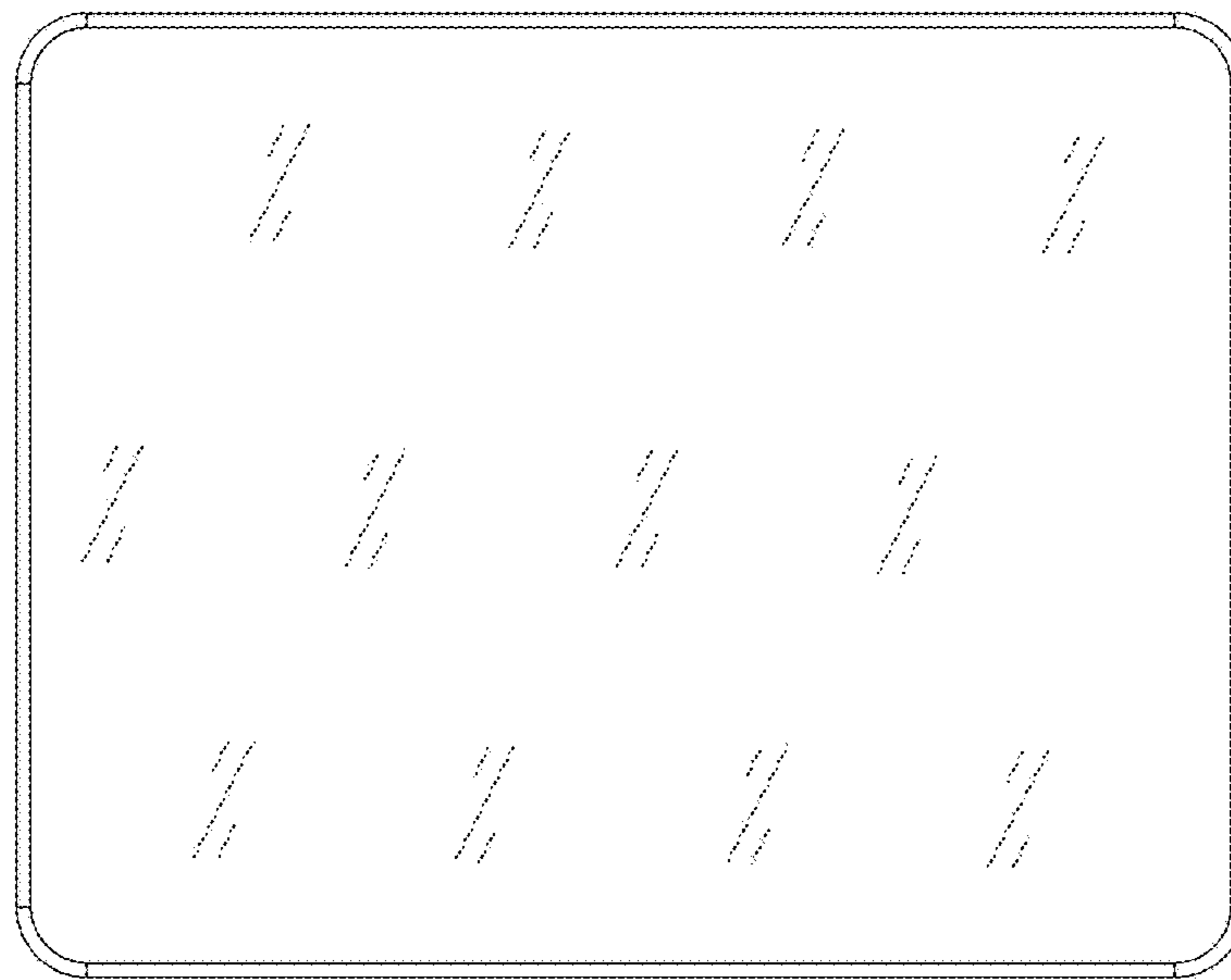


FIG.6

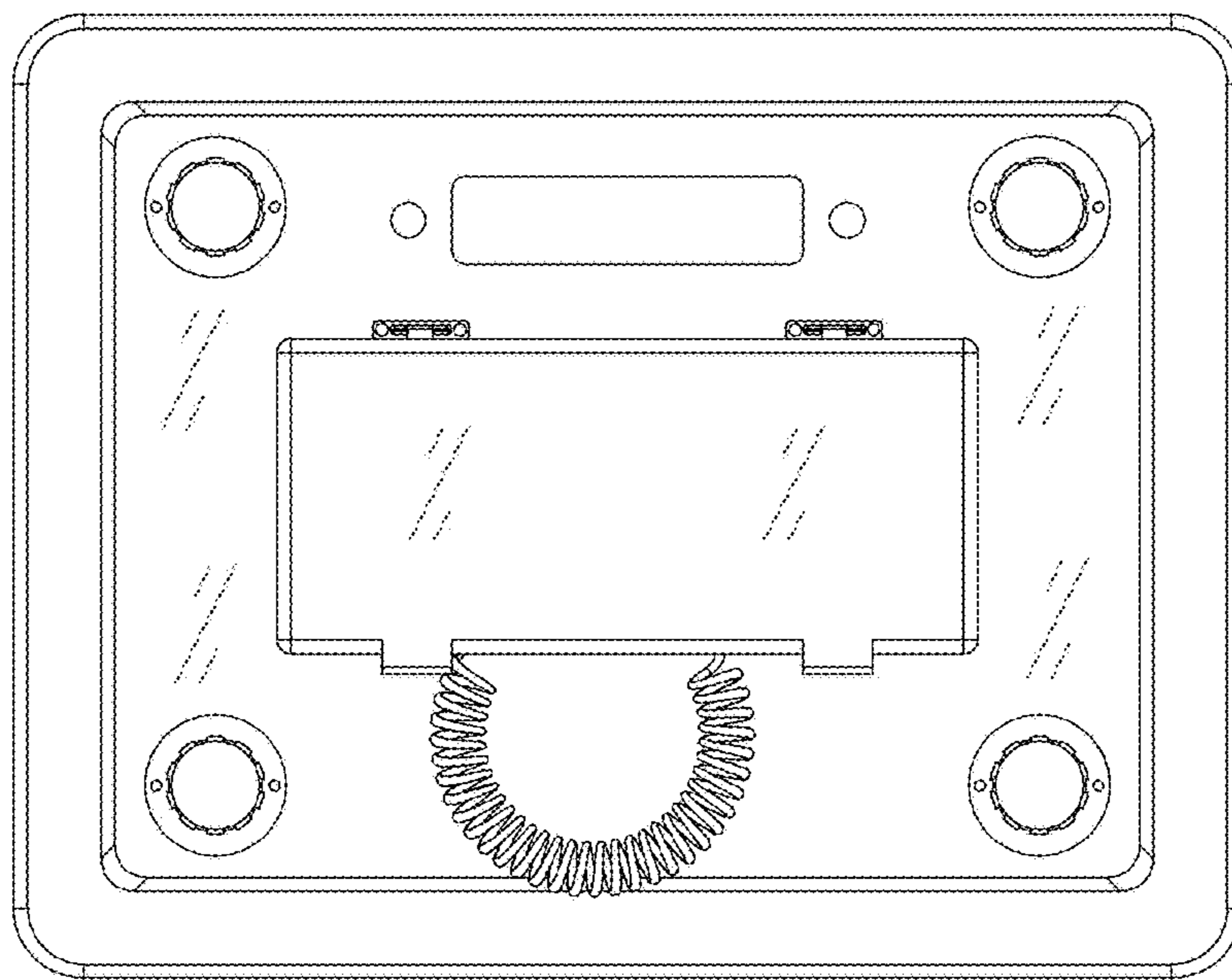


FIG. 7