



US00D845799S

(12) **United States Design Patent**
Wurts et al.

(10) **Patent No.:** **US D845,799 S**
(45) **Date of Patent:** **** Apr. 16, 2019**

(54) **REFRIGERANT PRESSURE PROBE**

(71) Applicant: **Kane USA, Inc.**, Beaverton, OR (US)

(72) Inventors: **Adolfo Jose Wurts**, Washougal, WA (US); **Mark Wurts**, Los Angeles, CA (US); **Demian Mendez**, Camas, WA (US)

(73) Assignee: **Kane USA, Inc.**, Beaverton, OR (US)

(**) Term: **15 Years**

(21) Appl. No.: **29/635,041**

(22) Filed: **Jan. 26, 2018**

(51) **LOC (11) Cl.** **10-04**

(52) **U.S. Cl.**
USPC **D10/85**; D10/57; D10/78

(58) **Field of Classification Search**
USPC D10/57, 78, 85; 62/125, 126, 127, 128, 62/129, 130, 293; 702/45, 47, 50
CPC .. F25B 2700/19; F25D 15/00; F25D 2700/00; F25D 2700/12; F24F 11/30; F24F 2140/12; F24F 2110/00; F24F 2110/40
See application file for complete search history.

(56) **References Cited**

U.S. PATENT DOCUMENTS

- 5,365,750 A * 11/1994 Greenthal F25B 9/02 165/142
- 7,685,882 B1 * 3/2010 Ward G01L 9/0027 73/753
- 8,301,403 B2 * 10/2012 Weick F25B 45/00 62/125

OTHER PUBLICATIONS

Testo, Inc., Testo 549i Refrigerant Pressure Probe Data Sheet, downloaded from www.testo.com on Jun. 11, 2018, pp. 1-2, Testo, Inc., 40 White Lake Road, Sparta, NJ 07871.

Testo, Inc., Testo AC/R Kit—Refrigeration Pressure Gauges & Pipe-clamp Thermometers—Data Sheet, downloaded from www.testo.com on Jun. 11, 2018, pp. 1-2, Testo, Inc., 40 White Lake Road, Sparta, NJ 07871.

Testo, Inc., Testo Smart Probes FAQ, downloaded from www.testo.com on Jun. 11, 2018, pp. 1-3, Testo, Inc., 40 White Lake Road, Sparta, NJ 07871.

Testo SE & Co. KGAA, Testo Smart Probes Instruction Manual, downloaded from www.testo.com on Jun. 11, 2018, pp. 1-32, Testo, Inc., 40 White Lake Road, Sparta, NJ 07871.

* cited by examiner

Primary Examiner — Antoine Duval Davis

(74) *Attorney, Agent, or Firm* — J. Douglas Wells

(57) **CLAIM**

The ornamental design for a refrigerant pressure probe, as shown and described.

DESCRIPTION

FIG. 1 is a rear/top/left perspective view of a first embodiment of a refrigerant pressure probe, showing our new design;

FIG. 2 is a front/bottom/right perspective view thereof;

FIG. 3 is a top plan view thereof;

FIG. 4 is a bottom plan view thereof;

FIG. 5 is a right side view thereof;

FIG. 6 is a left side view thereof;

FIG. 7 is a rear elevation view thereof;

FIG. 8 is a front elevation view thereof;

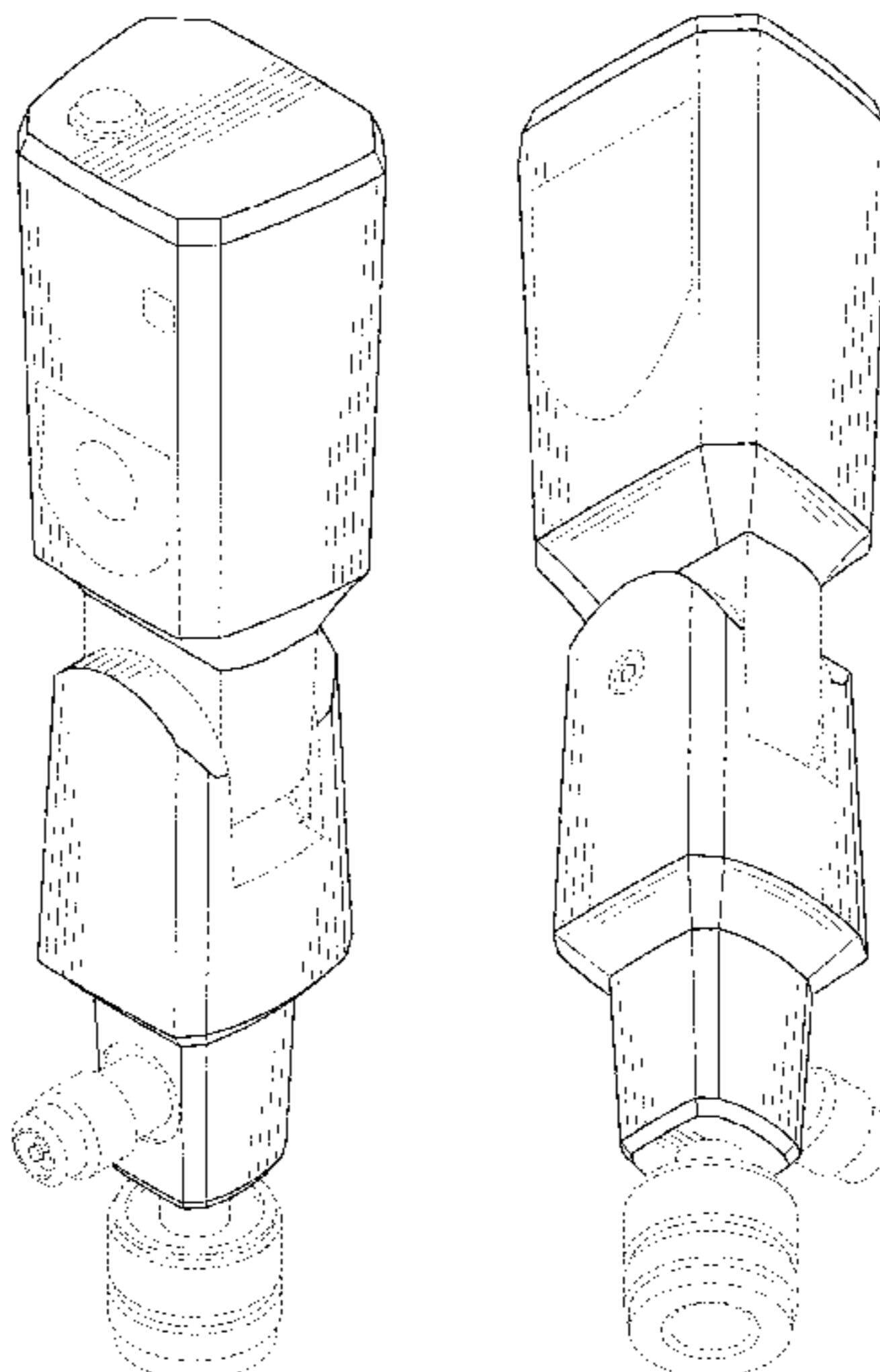
FIG. 9 is a top/left perspective view of the refrigerant pressure probe in an optional folded configuration;

FIG. 10 is a rear/top/left perspective view of a second embodiment of a refrigerant pressure probe, wherein the stippled areas represent a contrasted color, the contrasted color being non-black but otherwise not representing a specific color or color combination; and,

FIG. 11 is a front/bottom/right perspective view thereof.

The broken lines shown throughout the drawing views are for illustrative purposes only and form no part of the claimed design.

1 Claim, 5 Drawing Sheets



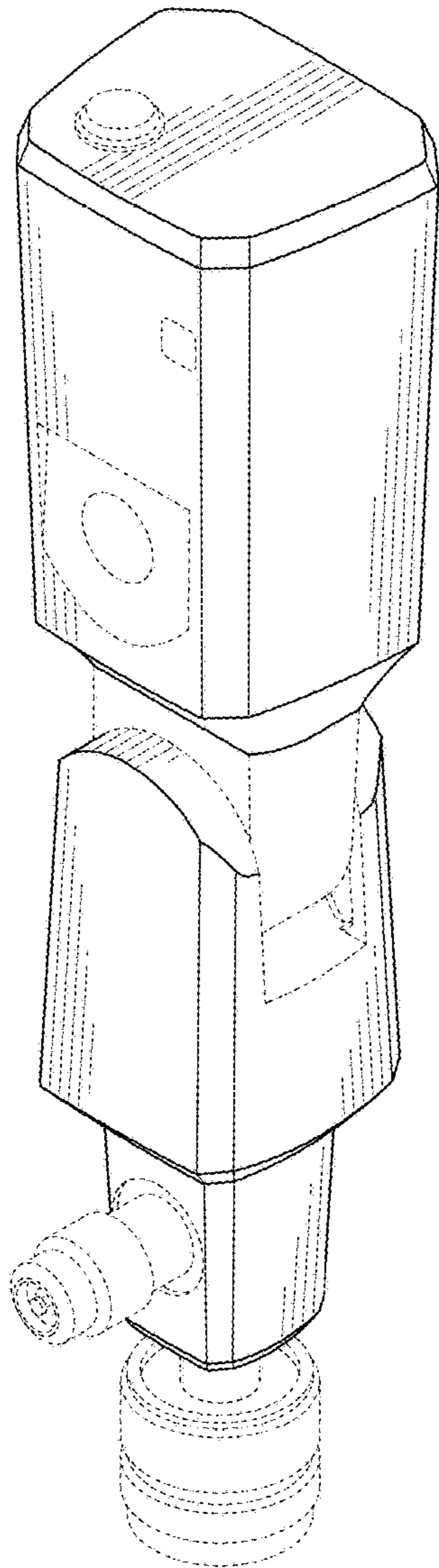


FIG. 1

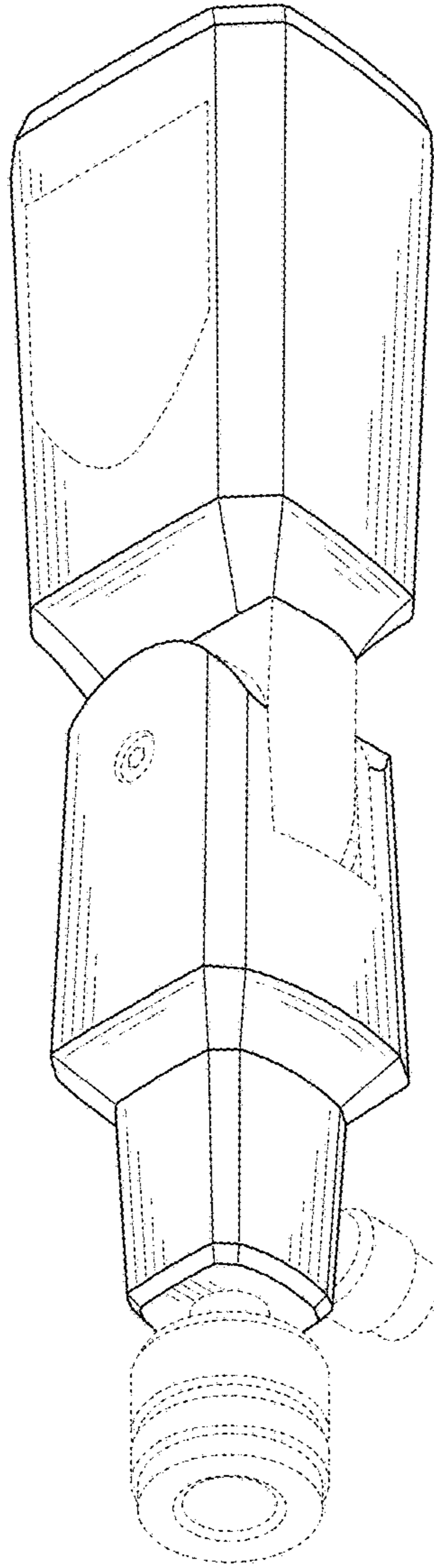


FIG. 2

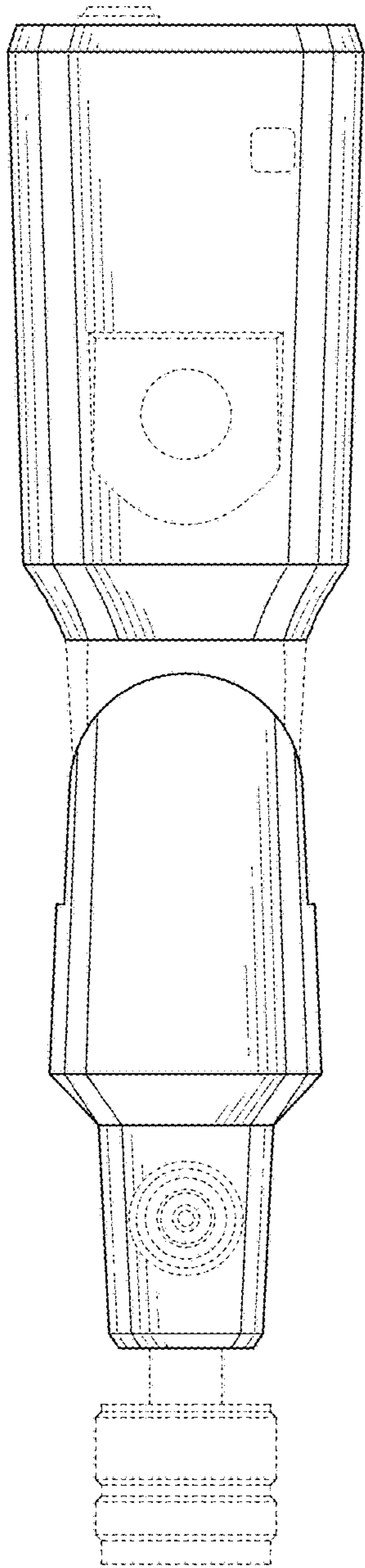


FIG. 3

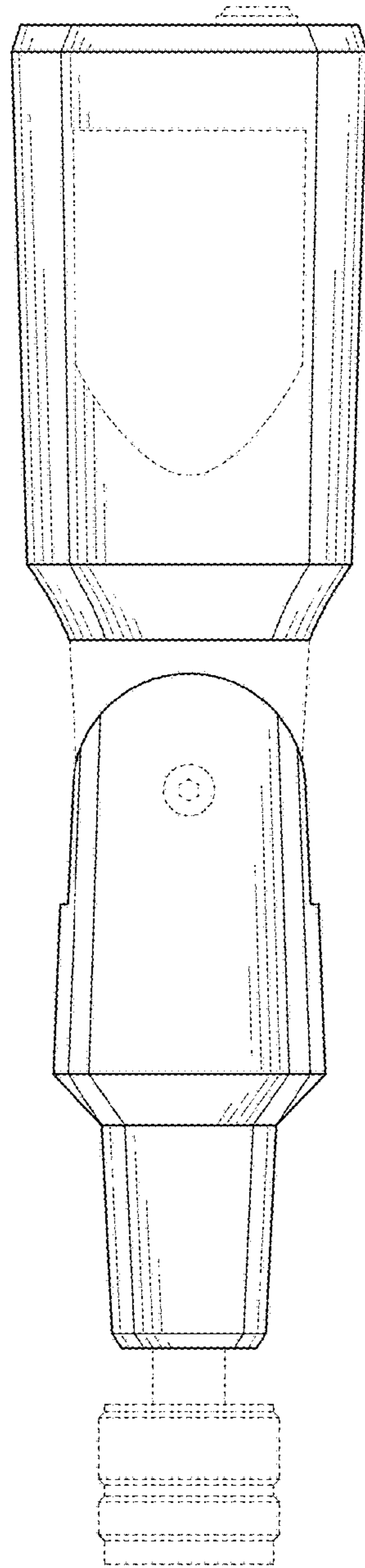


FIG. 4

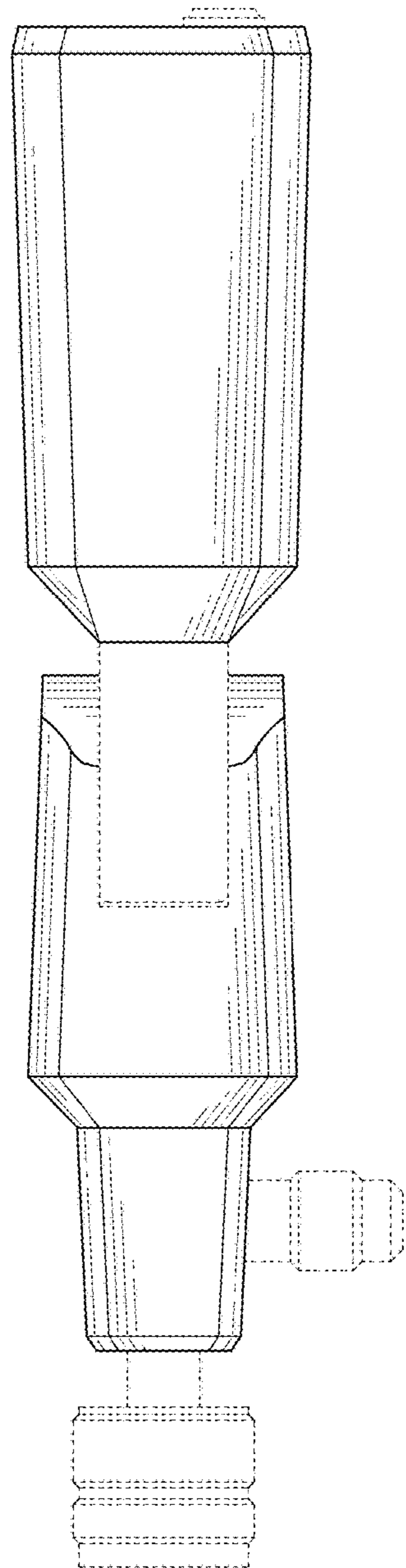


FIG. 5

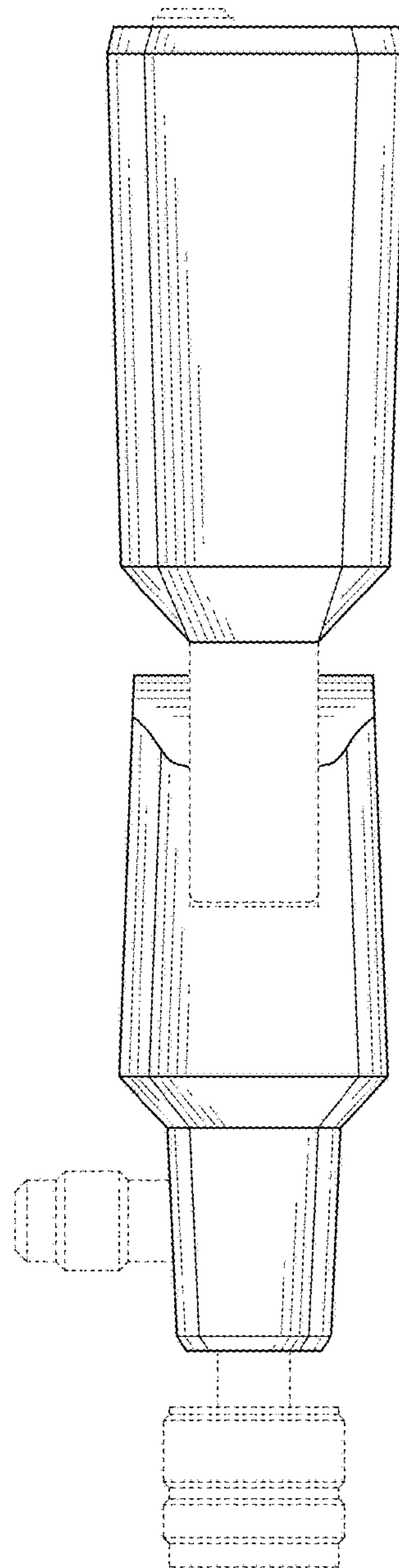


FIG. 6

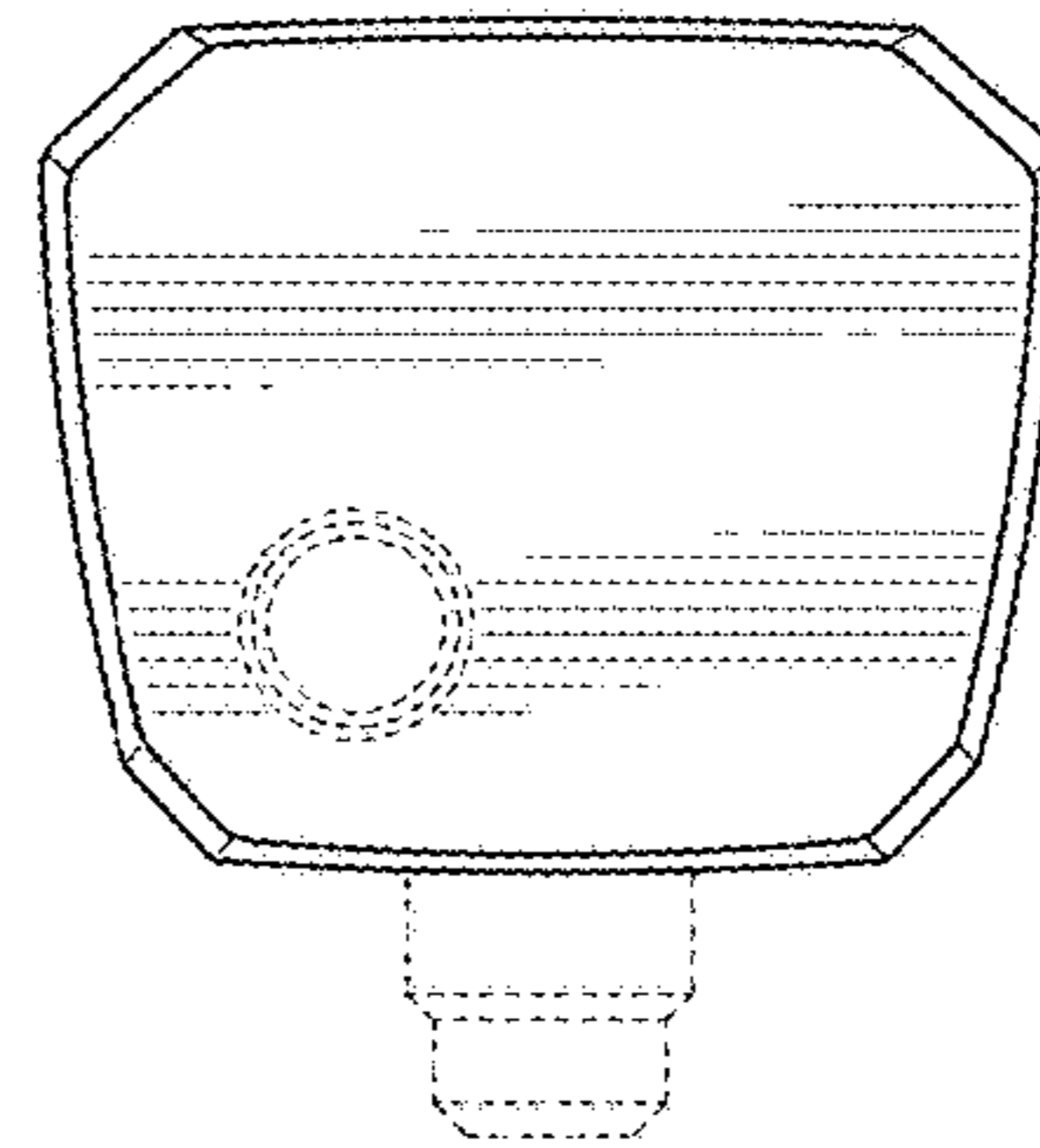


FIG. 7

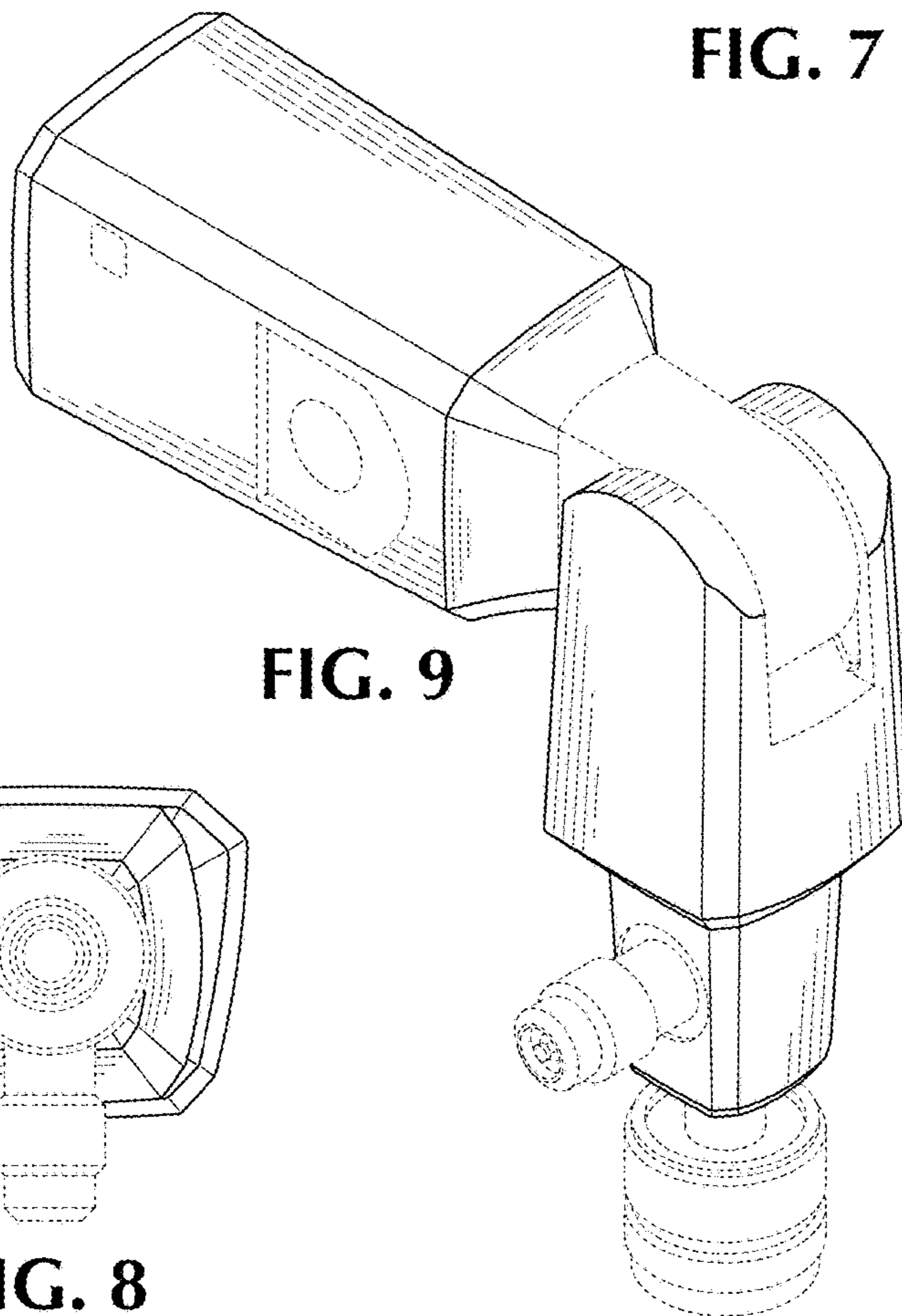


FIG. 9

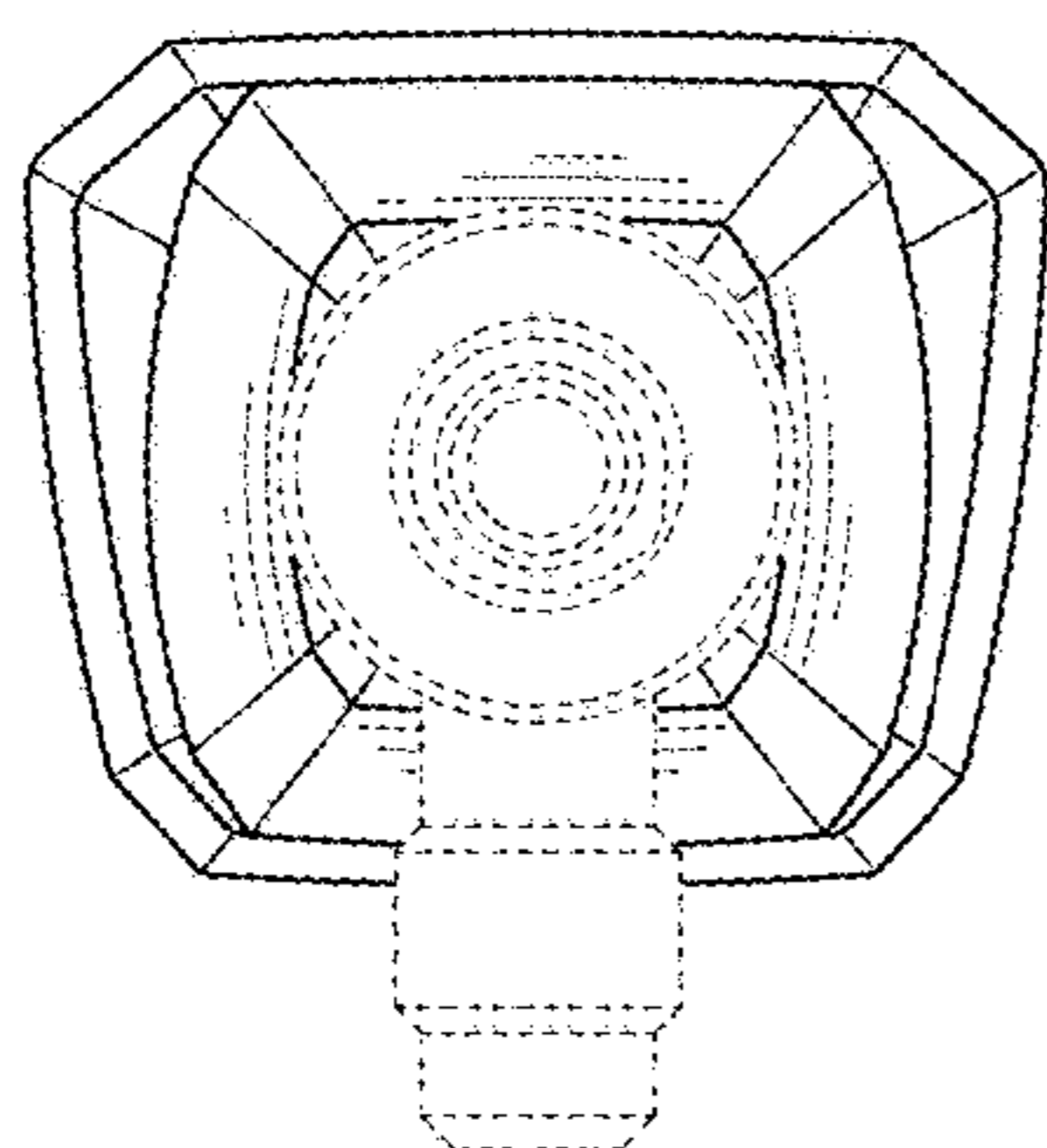


FIG. 8

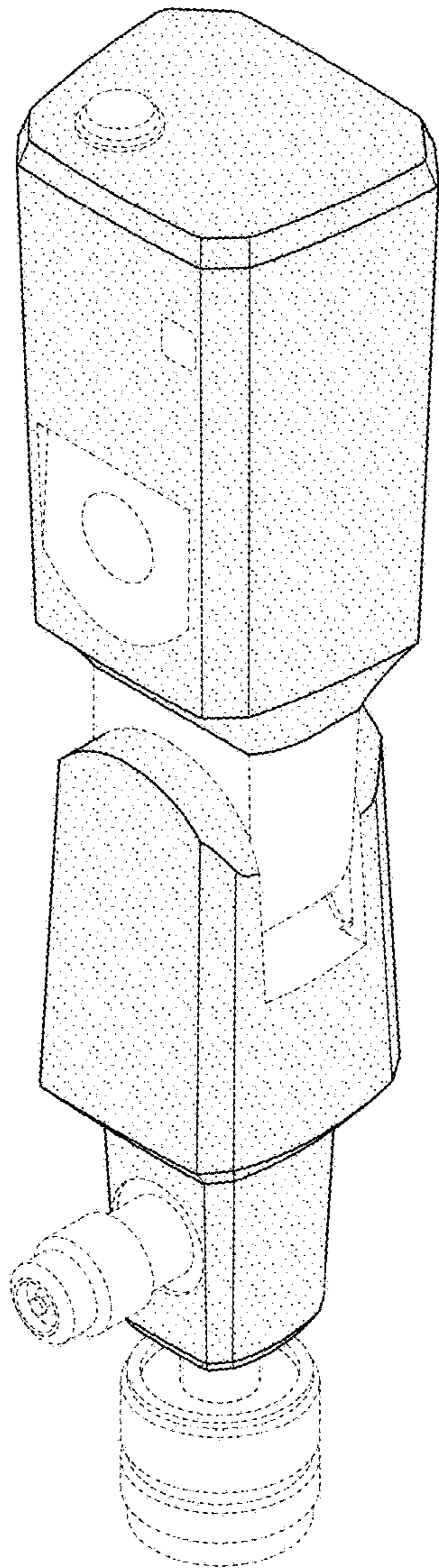


FIG. 10

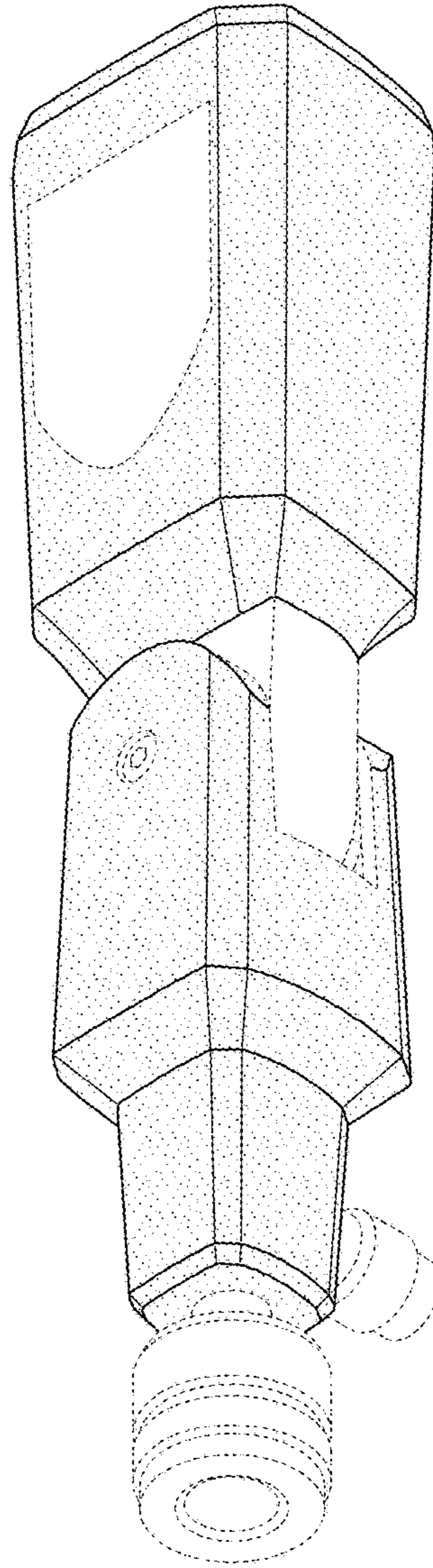


FIG. 11