



US00D845798S

(12) **United States Design Patent** (10) **Patent No.:** **US D845,798 S**  
**Lavin** (45) **Date of Patent:** **\*\* Apr. 16, 2019**

(54) **INTERNET SPEED TESTER**  
(71) Applicant: **Alexander Lavin**, Miami, FL (US)  
(72) Inventor: **Alexander Lavin**, Miami, FL (US)  
(\*\*) Term: **15 Years**  
(21) Appl. No.: **29/624,117**  
(22) Filed: **Oct. 30, 2017**  
(51) **LOC (11) Cl.** ..... **10-04**  
(52) **U.S. Cl.**  
USPC ..... **D10/78**  
(58) **Field of Classification Search**  
USPC ..... D10/78  
CPC ..... G01P 1/02-1/127; G01B 19/041-19/048;  
G06F 1/1626; G06F 1/1613; G01R  
29/00-29/26; G01R 31/02-31/31937;  
H01R 2201/04; H01R 2201/06; H01R  
2201/16; H01R 2201/20; H04M 1/24;  
H04M 3/08-3/14; H04M 3/22-3/367;  
H04L 12/2605-12/2697; H04L 43/50;  
H04L 2012/2849  
See application file for complete search history.

D319,791 S \* 9/1991 Saito ..... D10/43  
D348,070 S \* 6/1994 Vallillee ..... D14/240  
D357,229 S \* 4/1995 Gauch ..... D10/78  
7,361,033 B2 \* 4/2008 Lien ..... H01R 27/02  
439/131

\* cited by examiner

*Primary Examiner* — Antoine Duval Davis  
(74) *Attorney, Agent, or Firm* — Sanchelima &  
Associates, P.A.; Christian Sanchelima; Jesus Sanchelima

(57) **CLAIM**

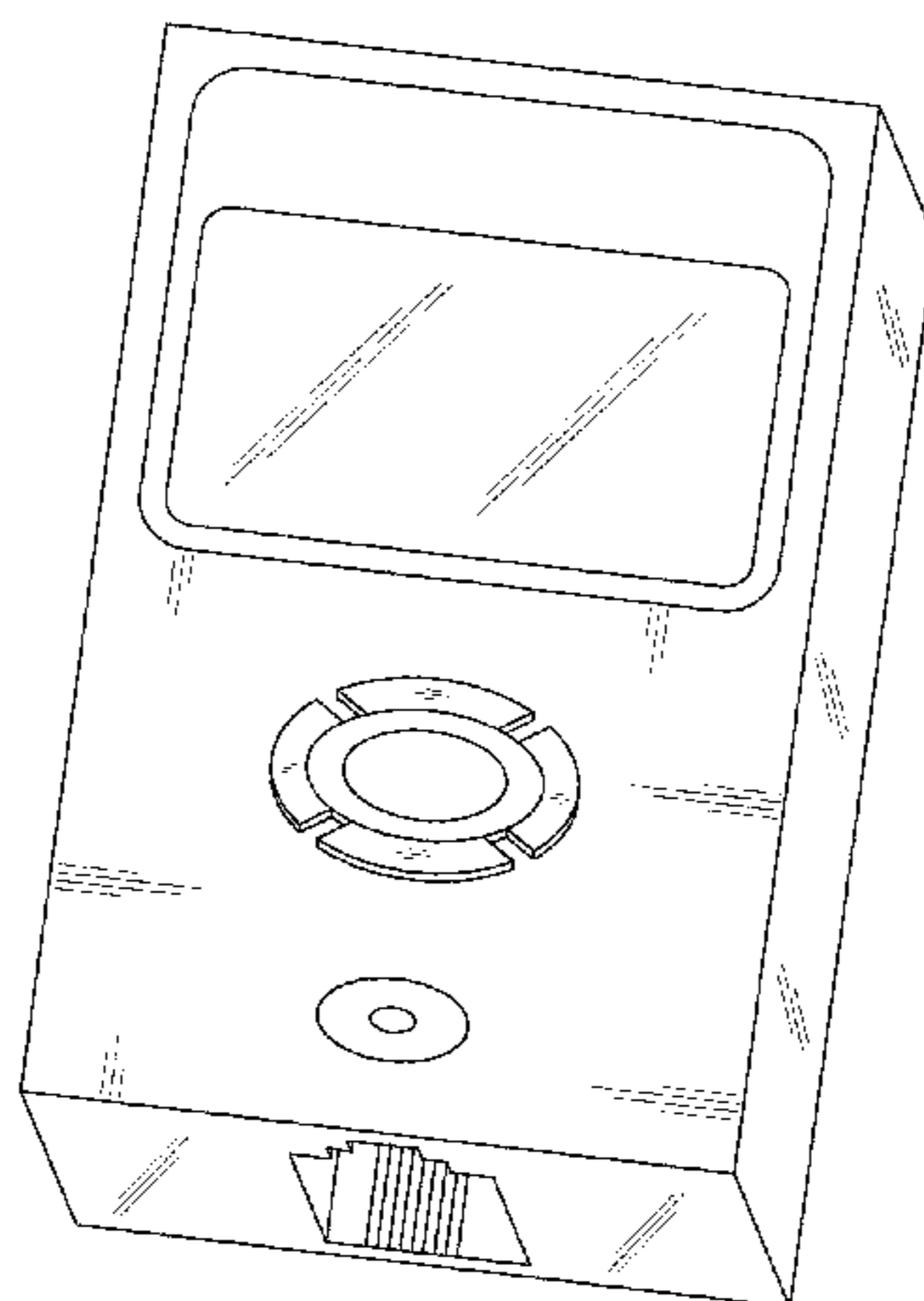
The ornamental design for internet speed tester, as shown and described.

**DESCRIPTION**

FIG. 1 is an isometric view of a internet speed tester showing my new design;  
FIG. 2 is a front view thereof;  
FIG. 3 is a rear view thereof;  
FIG. 4 is a left side view thereof;  
FIG. 5 is a right side view thereof;  
FIG. 6 is a top view thereof; and,  
FIG. 7 is a bottom view thereof showing my design.

(56) **References Cited**  
U.S. PATENT DOCUMENTS  
D300,539 S \* 4/1989 Wong ..... D18/2  
D307,890 S \* 5/1990 Kim ..... D14/346

**1 Claim, 7 Drawing Sheets**



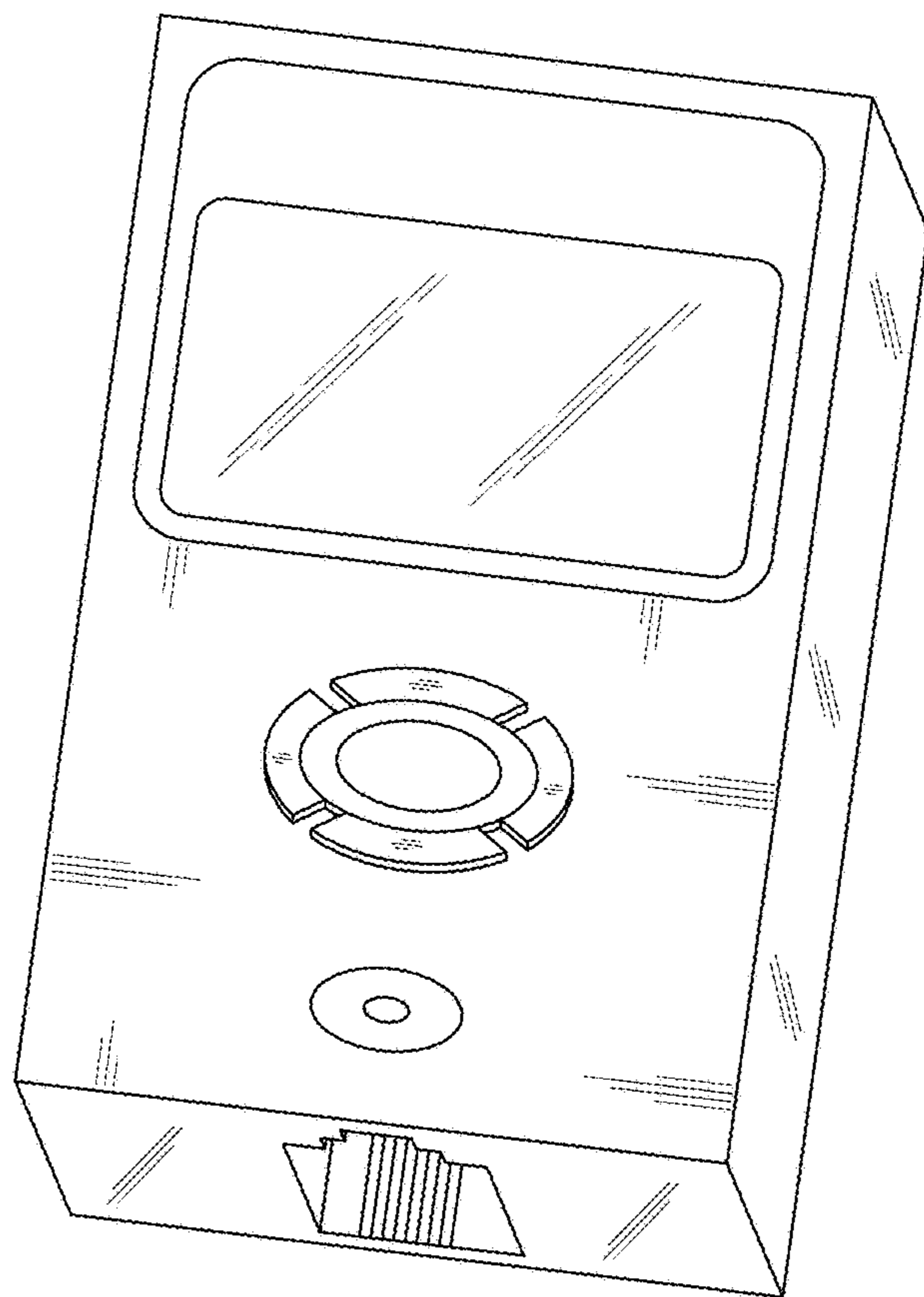


FIG. 1

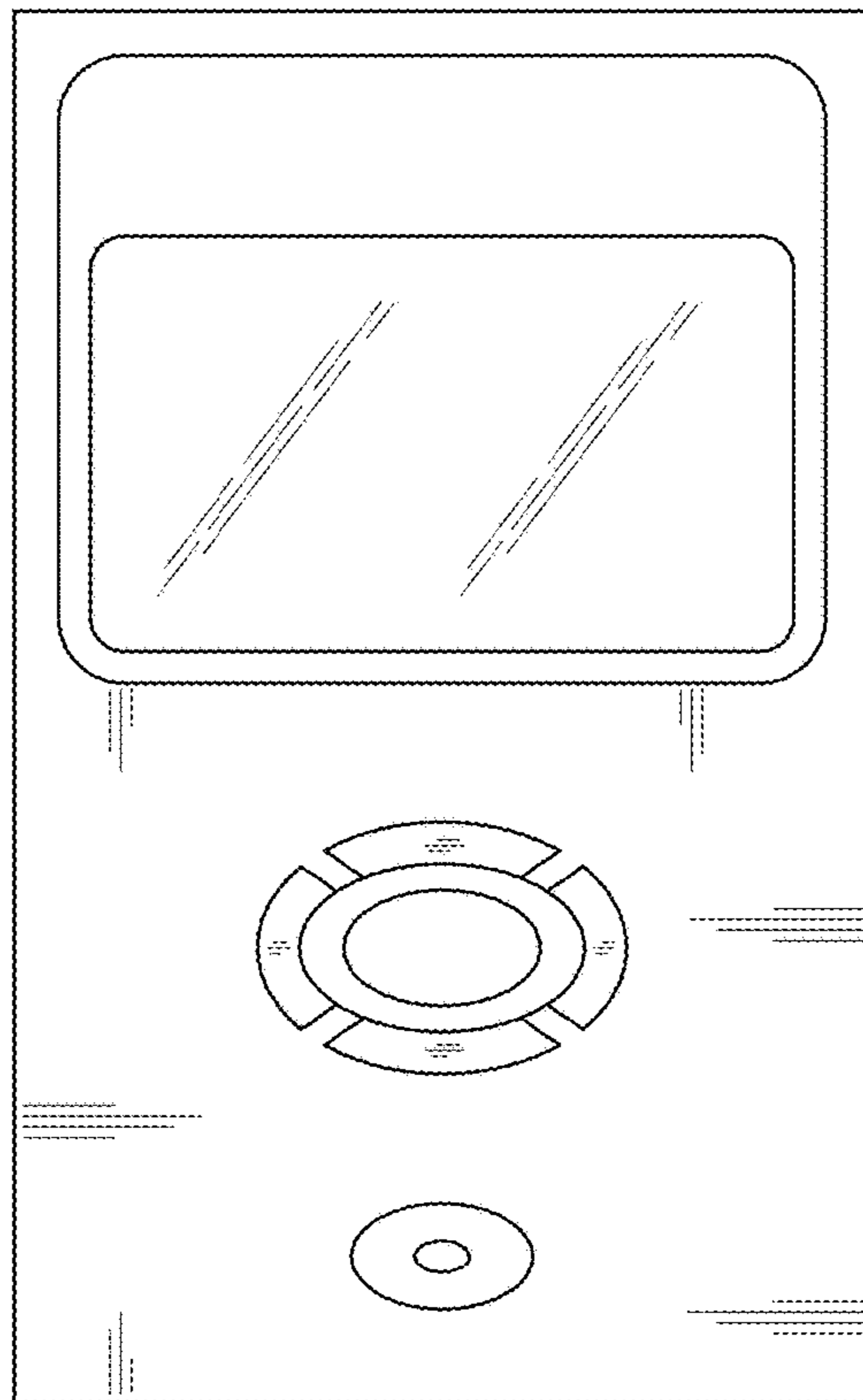


FIG. 2

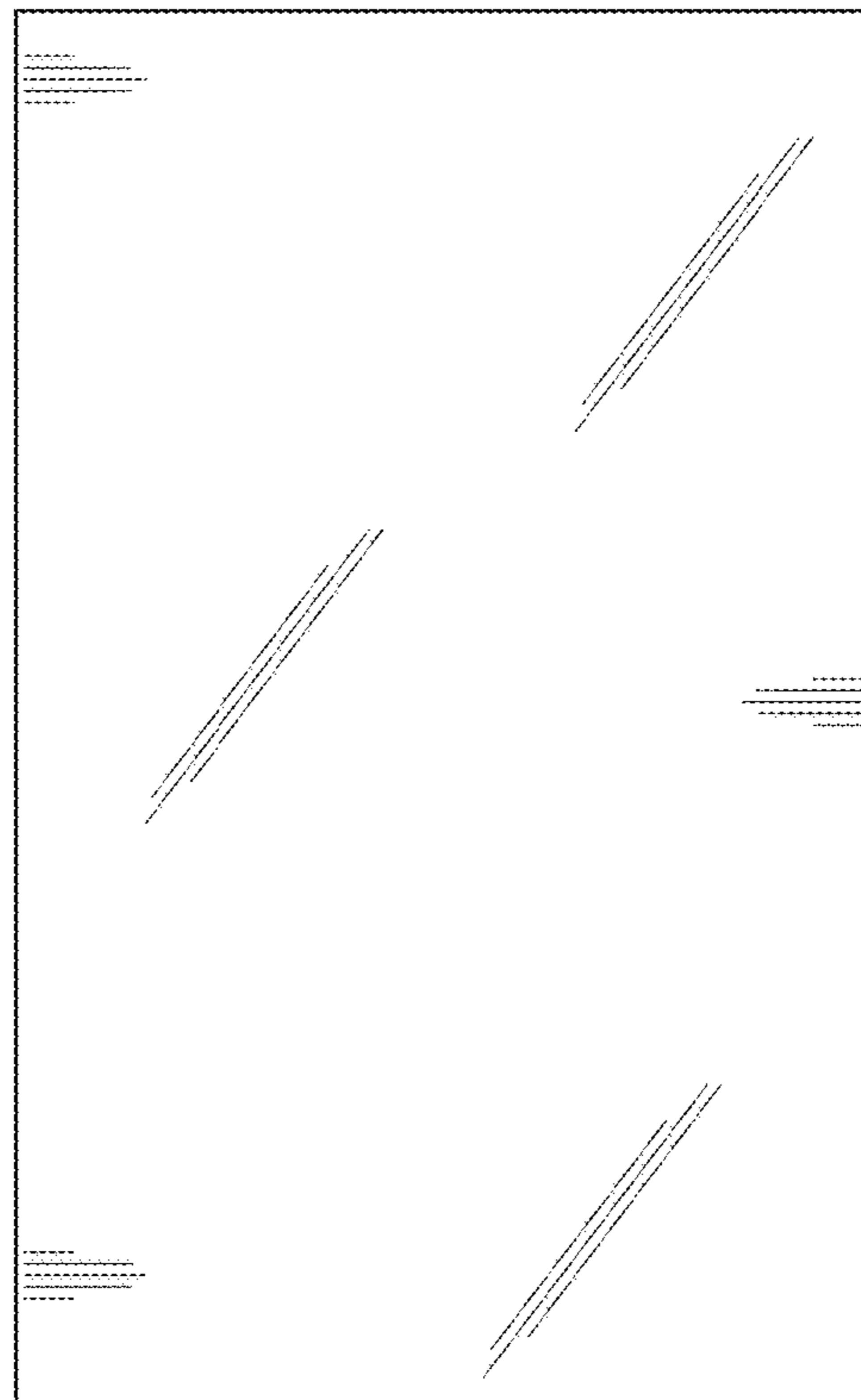


FIG. 3

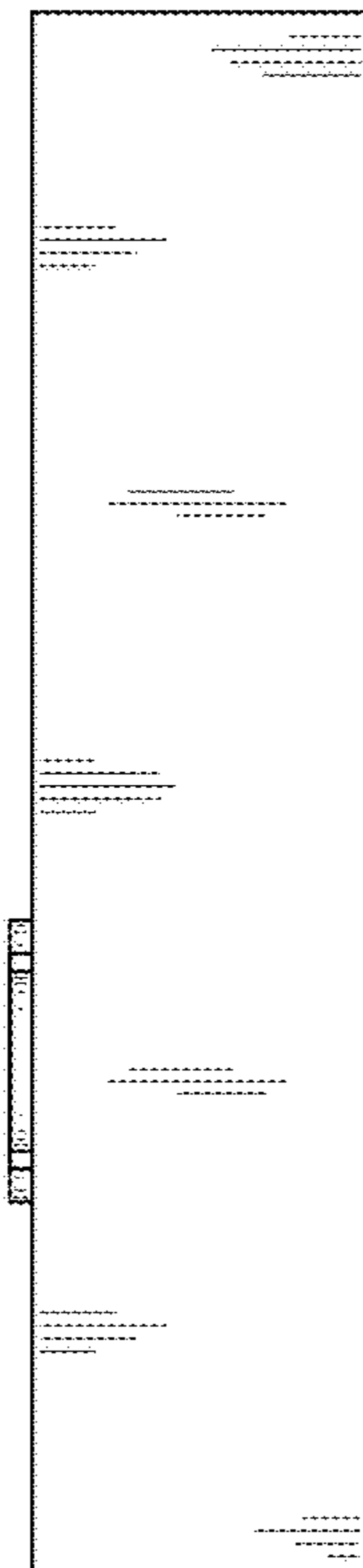


FIG. 4

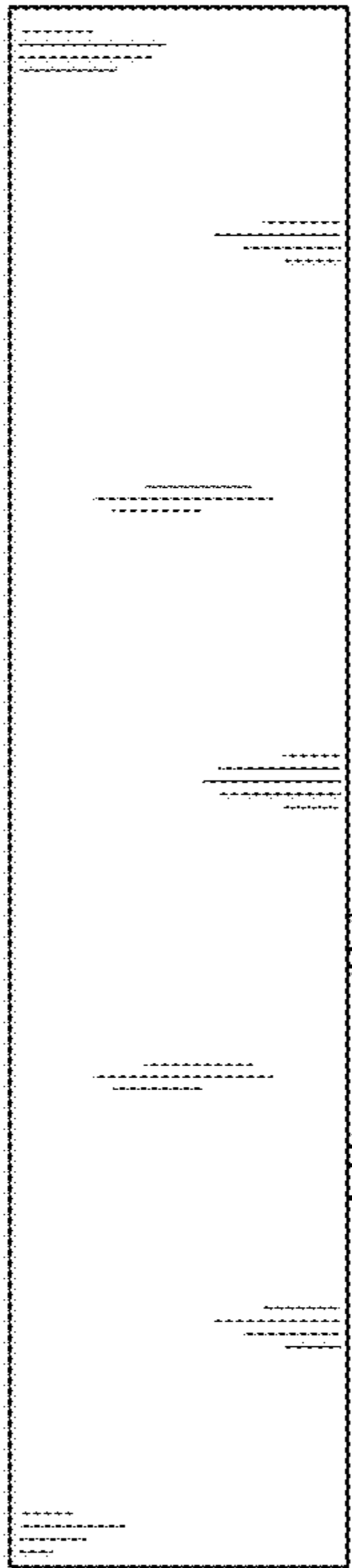


FIG. 5

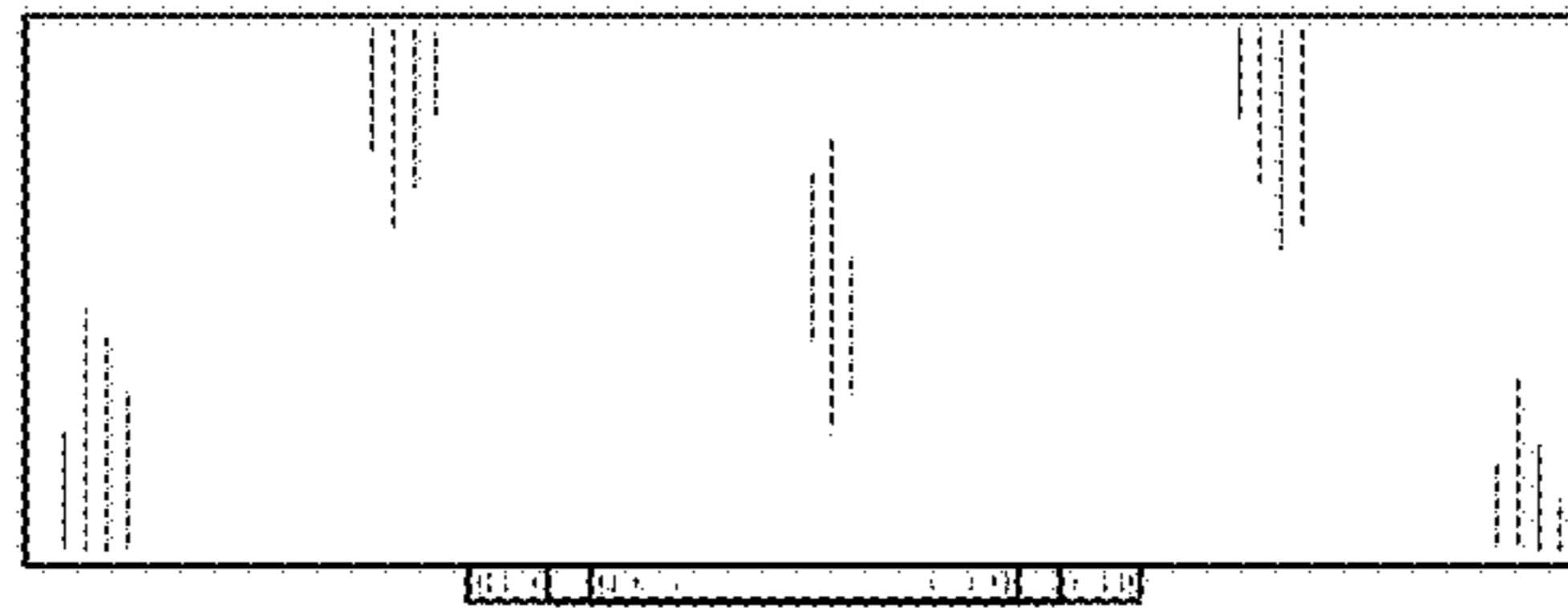


FIG. 6

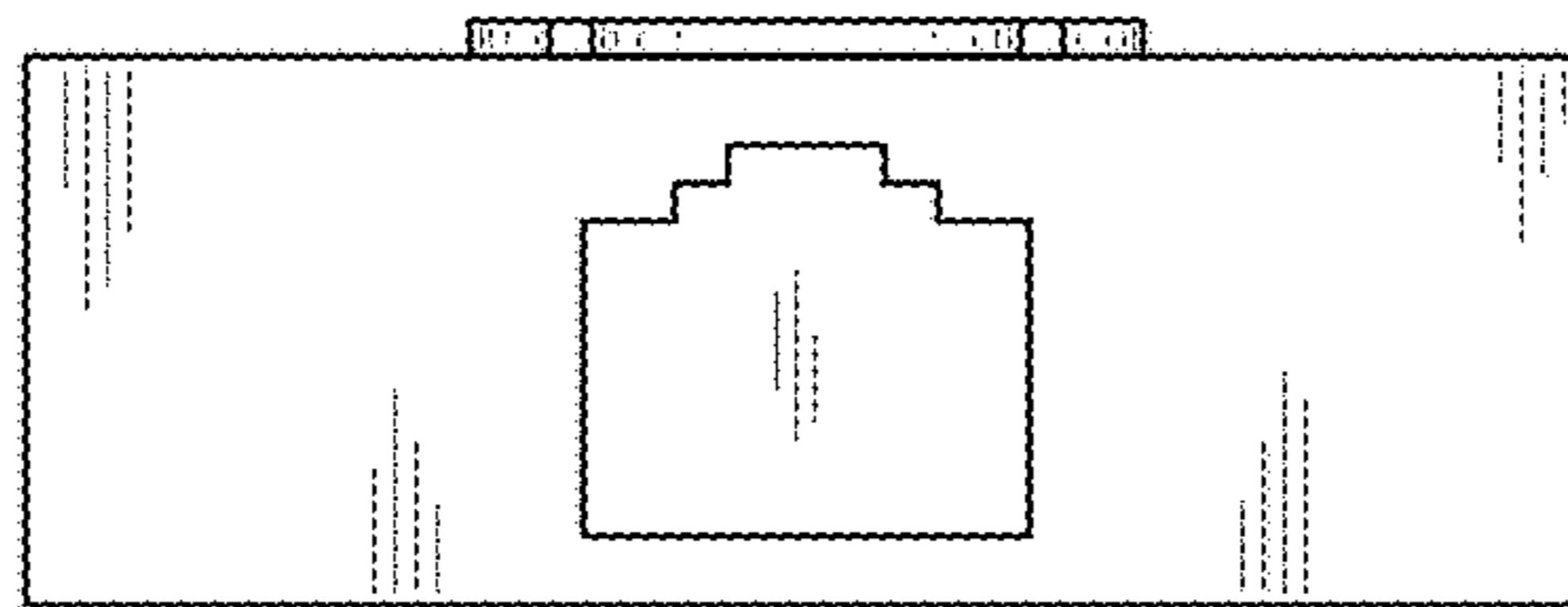


FIG. 7