



US00D845795S

(12) **United States Design Patent**  
**Kim et al.**

(10) **Patent No.:** **US D845,795 S**

(45) **Date of Patent:** **\*\* Apr. 16, 2019**

(54) **RANGE FINDER**

(71) Applicant: **UCOMM TECHNOLOGY, CO., LTD.**, Anyang-si (KR)

(72) Inventors: **Juno Kim**, Anyang-si (KR); **Hundong Lim**, Yongin-si (KR); **Taekuen Park**, Seoul (KR)

(73) Assignee: **UCOMM TECHNOLOGY, CO., LTD.**, Anyang-si (KR)

(\*\*) Term: **15 Years**

(21) Appl. No.: **29/629,740**

(22) Filed: **Dec. 15, 2017**

(51) **LOC (11) Cl.** ..... **10-04**

(52) **U.S. Cl.**  
USPC ..... **D10/70; D16/130**

(58) **Field of Classification Search**  
USPC ..... D10/70; D16/130  
CPC ... G01C 3/00; G01C 3/02; G01C 3/04; G01C 3/06; G01C 3/08; G01C 3/085; G01C 3/10; G01C 3/12; G01C 3/16; G01C 3/18; G01C 3/20; G01C 3/22; G01C 3/24; G01C 3/26; G01C 3/28; G01C 3/30; G01C 3/32; G01S 7/4811; G01S 7/4813; G01S 7/4814; G01S 7/4816; G01S 7/486; G01S 7/4861; G01S 7/4863; G02B 23/00; G02B 23/14; G02B 23/16; F41G 1/00; F41G 1/46; F41G 1/473; F41G 3/06; F41G 3/065

See application file for complete search history.

(56) **References Cited**

U.S. PATENT DOCUMENTS

D376,377	S	*	12/1996	Palmer	.....	D16/130
D448,315	S	*	9/2001	Ito	.....	D10/70
7,053,992	B2	*	5/2006	LaBelle	.....	G01C 3/08 356/5.01
D554,547	S	*	11/2007	Lin	.....	D10/70
D570,234	S	*	6/2008	Hui	.....	D10/70
D579,805	S	*	11/2008	Chen	.....	D10/70
7,508,497	B2	*	3/2009	LaBelle	.....	G01C 3/08 356/5.01
D611,848	S	*	3/2010	Liu	.....	D10/70
7,738,082	B1	*	6/2010	Peters	.....	G01C 3/22 356/4.01
D823,147	S	*	7/2018	Bainter	.....	D10/70

\* cited by examiner

*Primary Examiner* — Antoine Duval Davis

(74) *Attorney, Agent, or Firm* — Lex IP Meister, PLLC

(57) **CLAIM**

The ornamental design for a range finder, as shown and described.

**DESCRIPTION**

FIG. 1 is a front, top, and right side perspective view of the range finder showing our design;  
FIG. 2 is a front elevational view thereof;  
FIG. 3 is a rear elevational view thereof;  
FIG. 4 is a left side view thereof;  
FIG. 5 is a right side view thereof;  
FIG. 6 is a top plan view thereof;  
FIG. 7 is a bottom plan view thereof; and,  
FIG. 8 is a rear, top, and left side perspective view thereof.

**1 Claim, 8 Drawing Sheets**

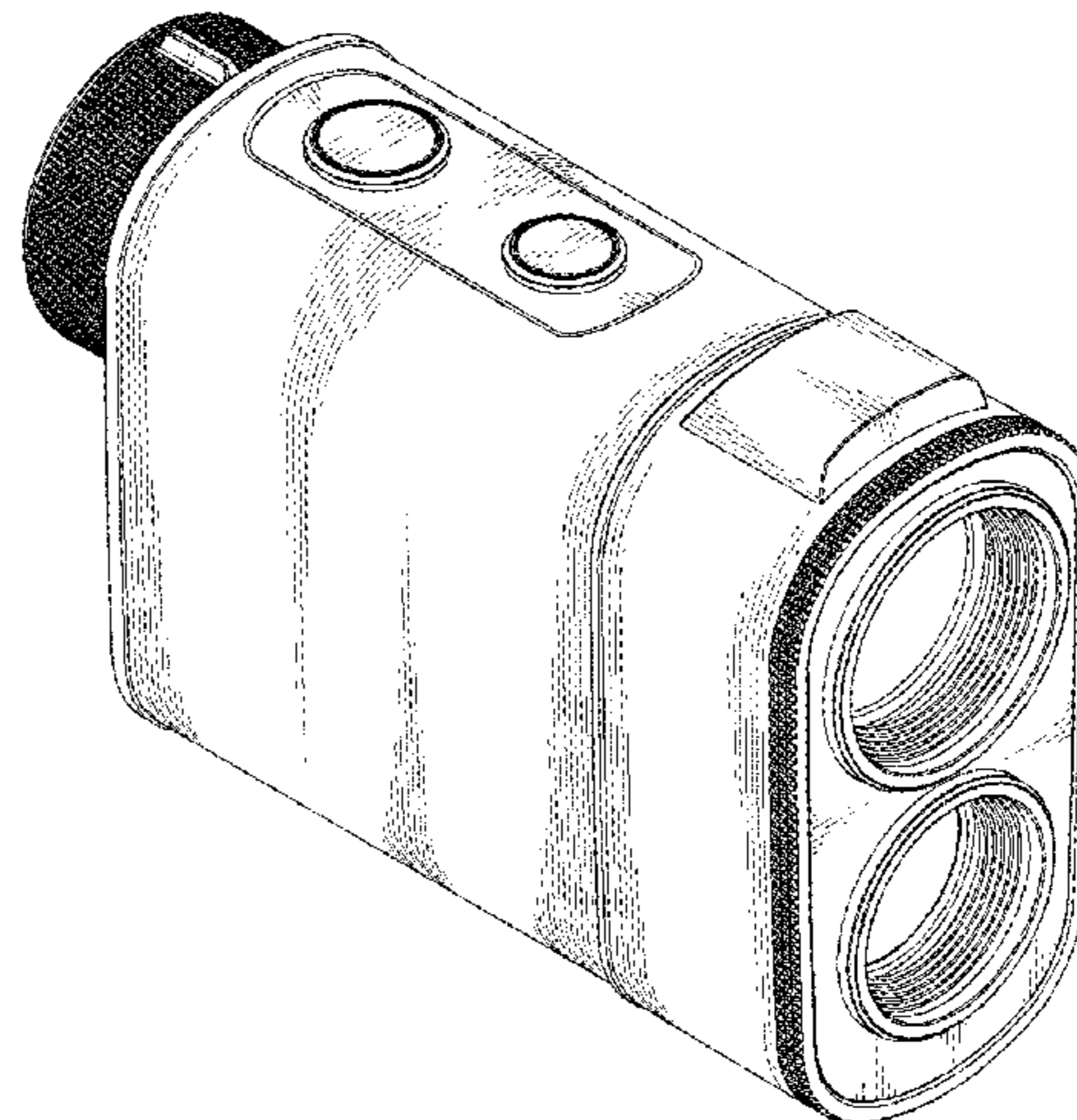
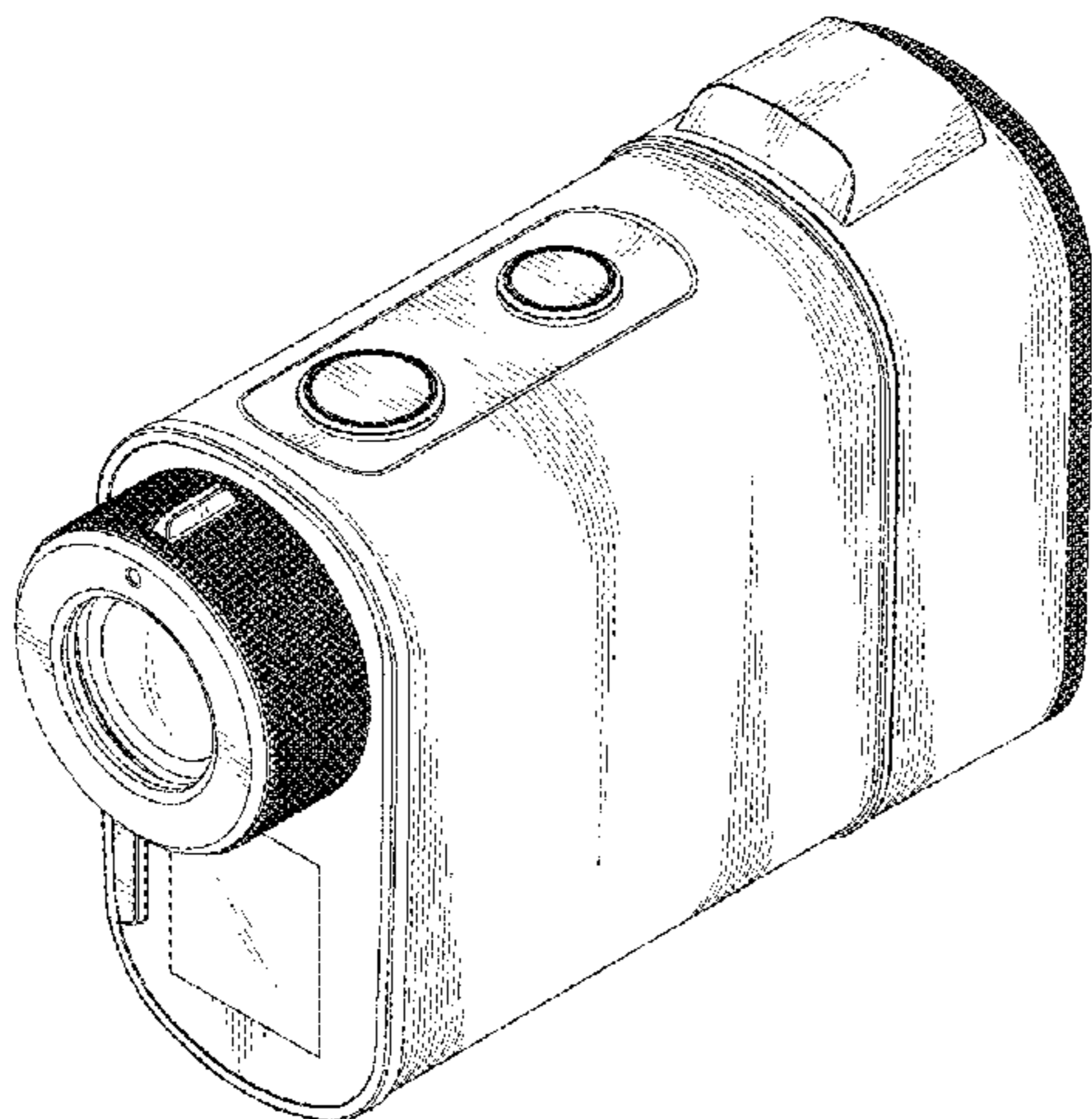


FIG. 1

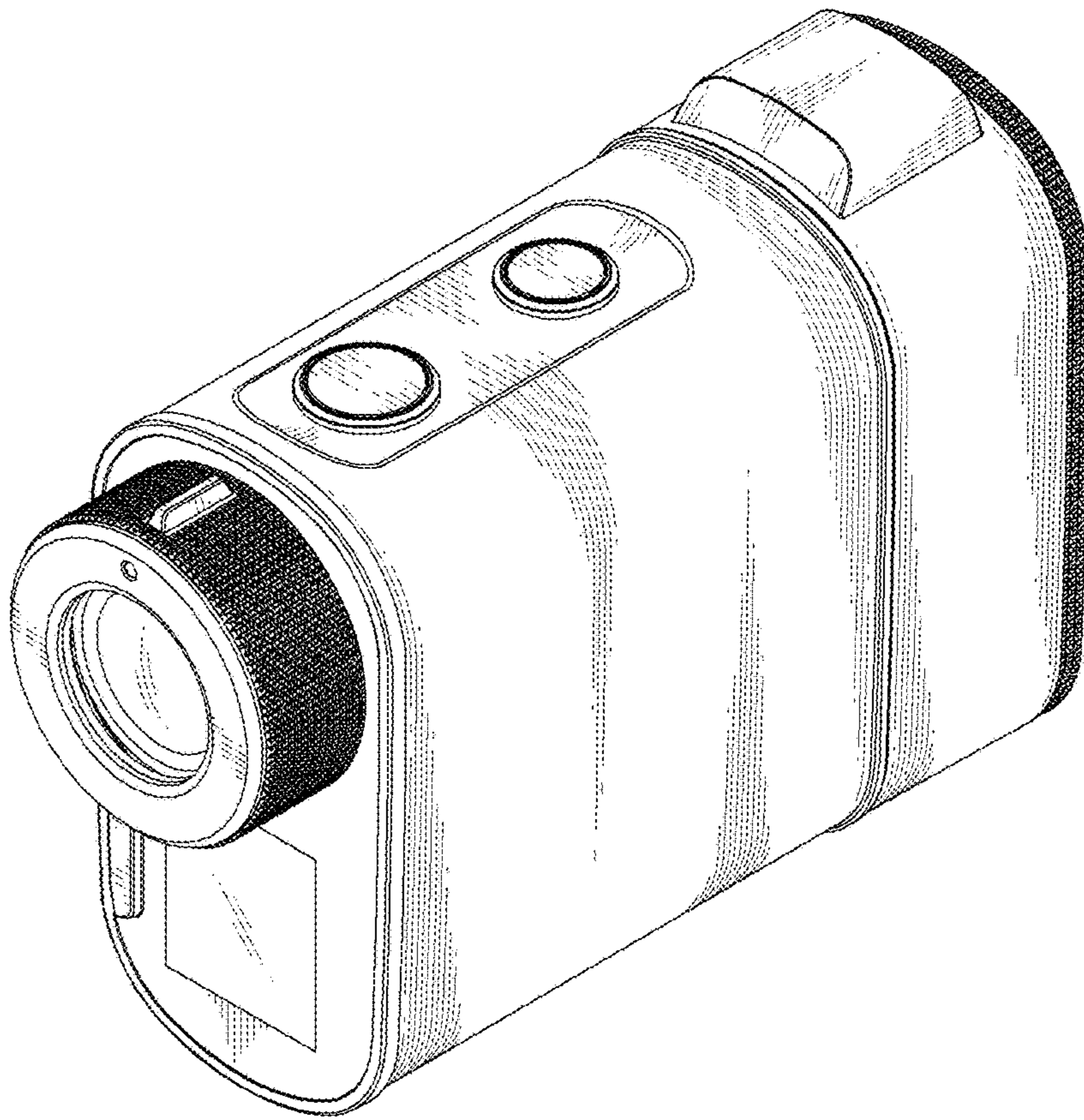


FIG. 2

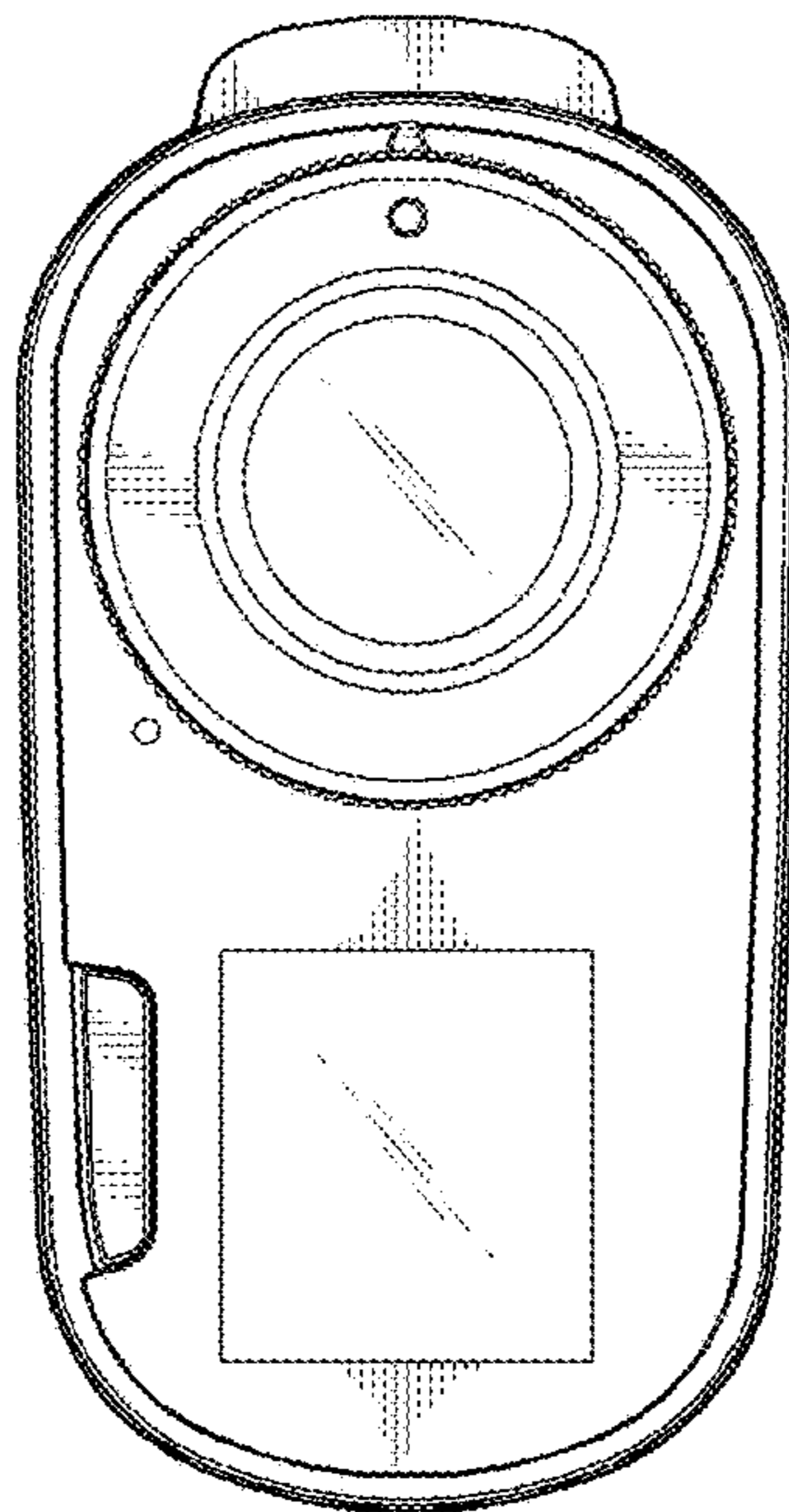


FIG. 3

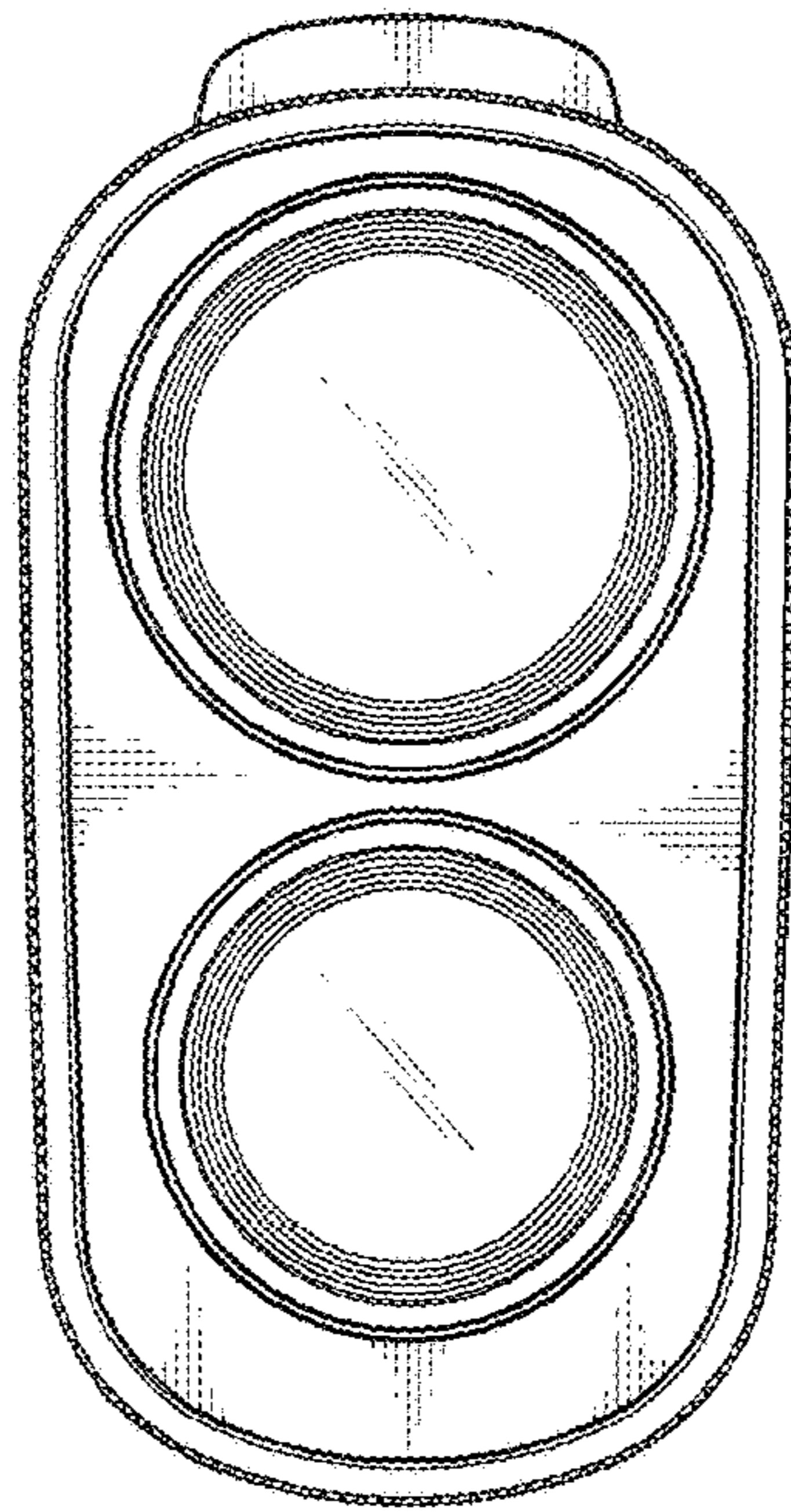


FIG. 4

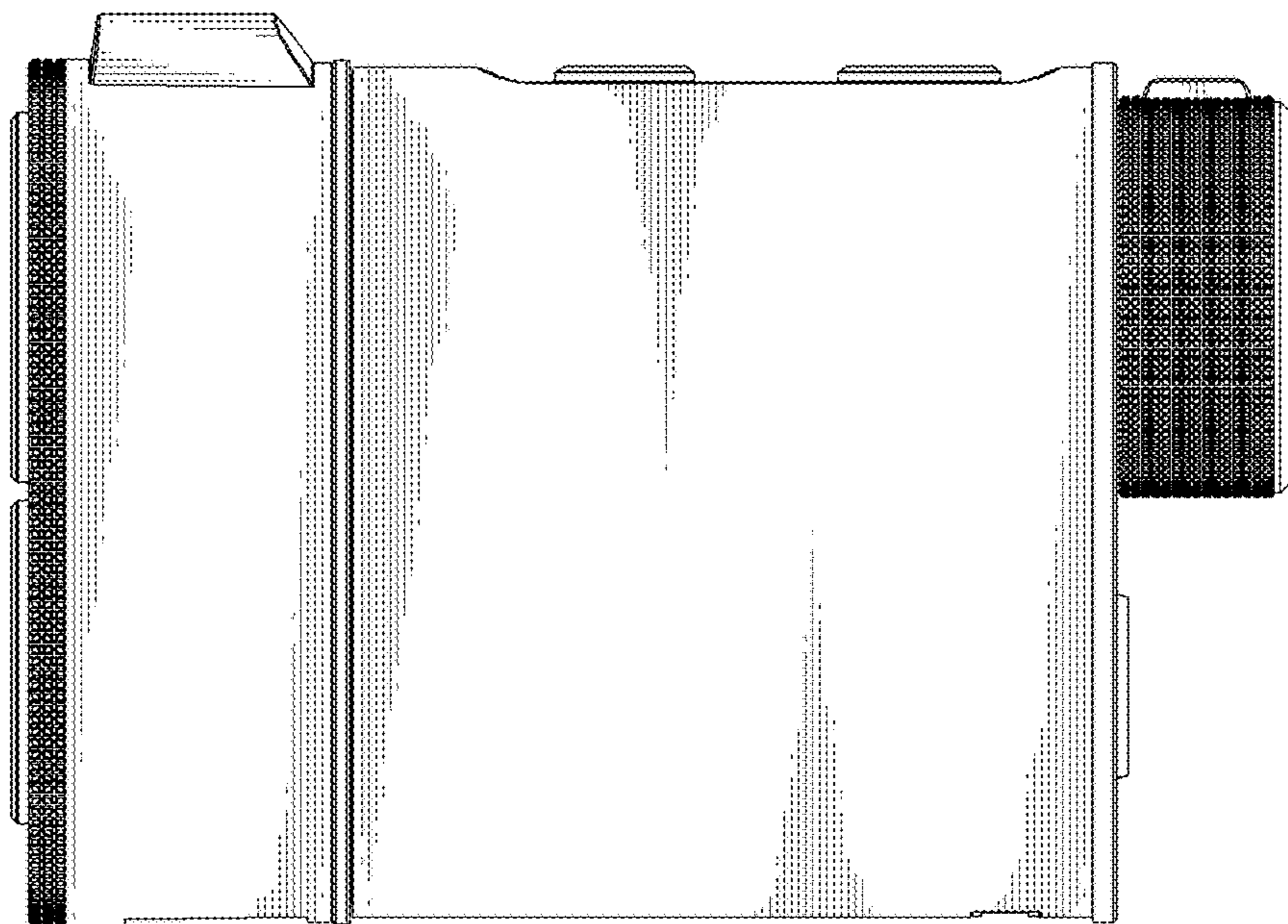


FIG. 5

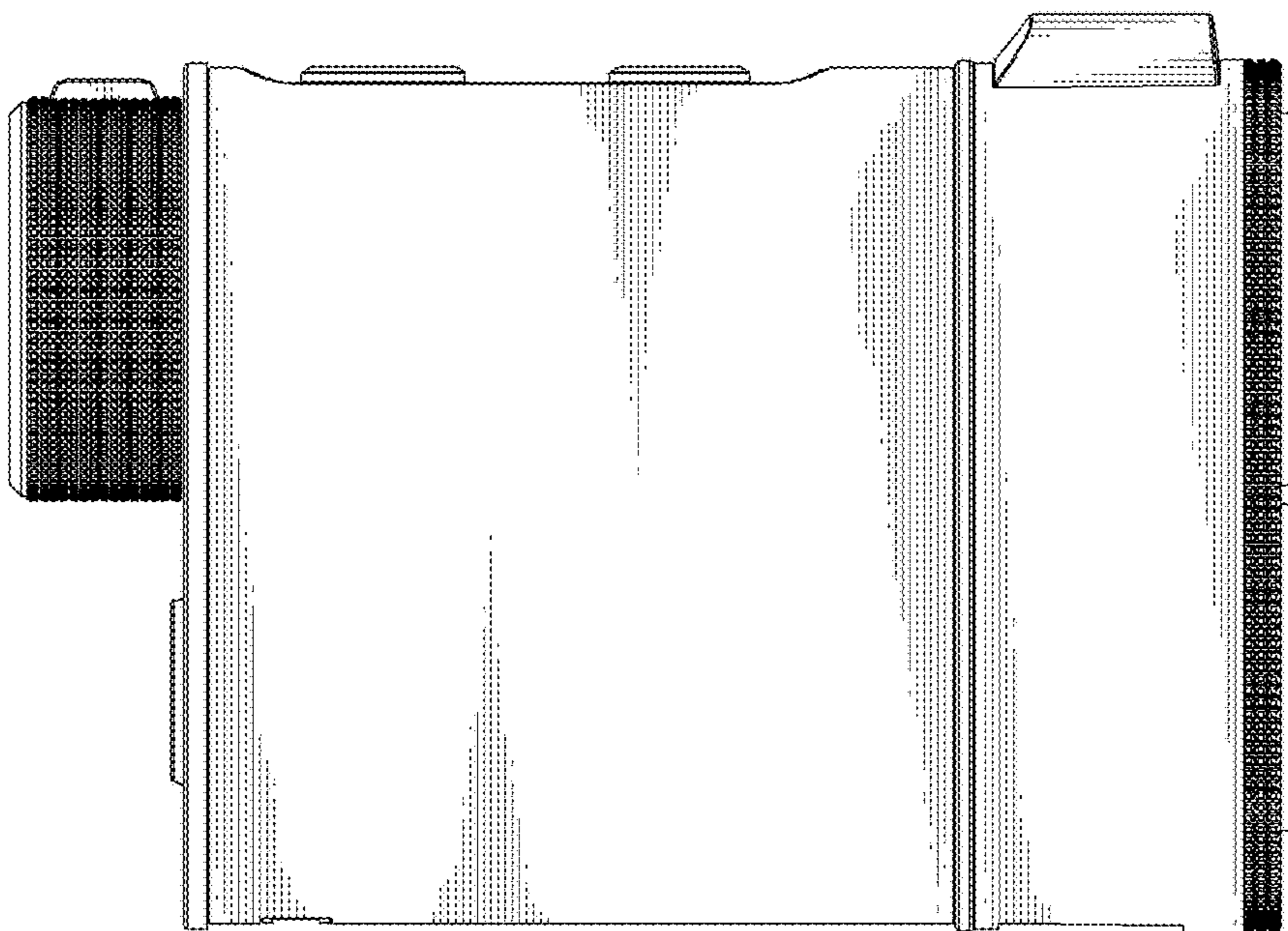


FIG. 6

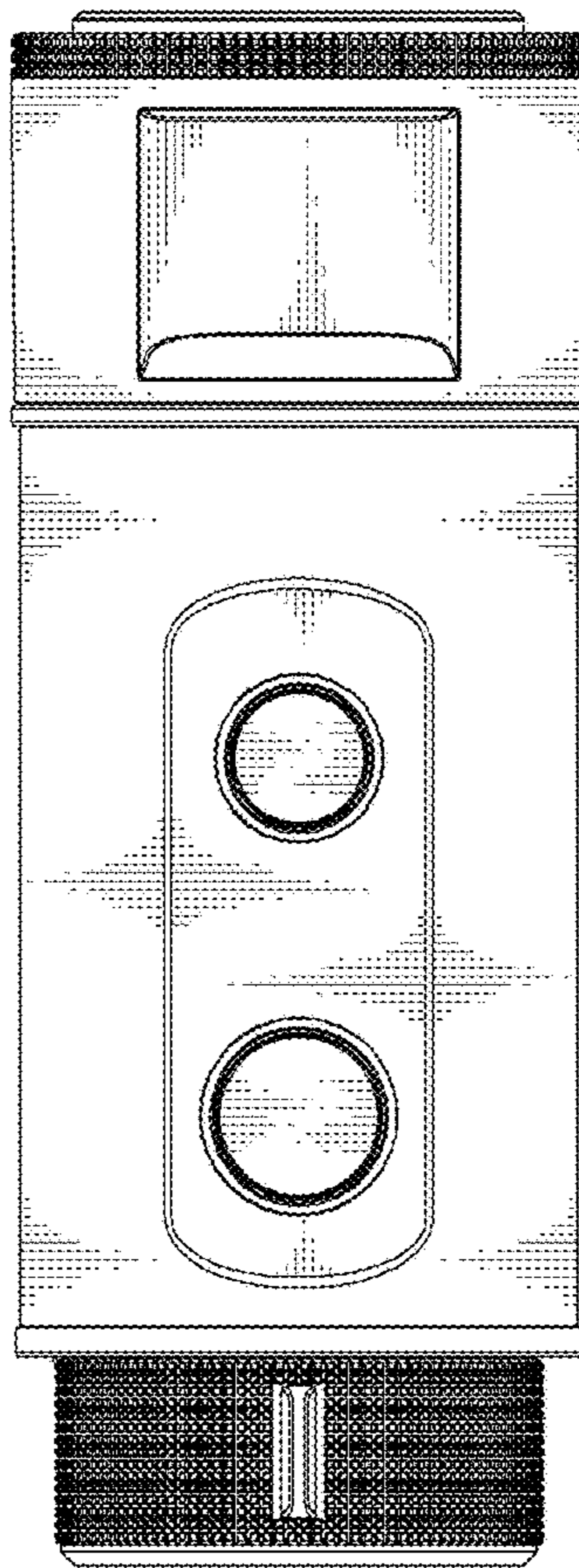


FIG. 7

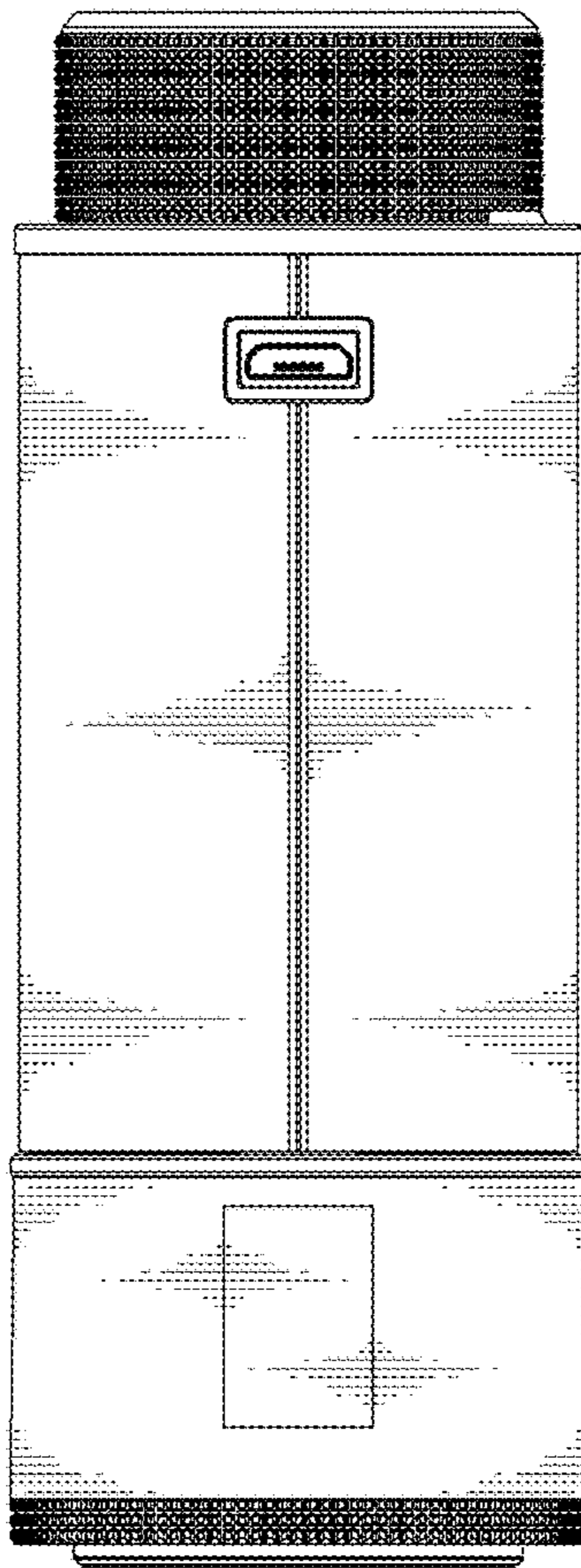




FIG. 8

