



US00D845793S

(12) **United States Design Patent** (10) **Patent No.:** **US D845,793 S**  
**Di Nardo et al.** (45) **Date of Patent:** **\*\* Apr. 16, 2019**

(54) **ICE SKATE BLADE MEASURING APPARATUS**

(71) Applicant: **Mayflower Industries, LLC**, Key Largo, UT (US)

(72) Inventors: **Thomas Di Nardo**, Key Largo, FL (US); **Christopher Needham**, Midvale, UT (US); **Michael Gomm**, Provo, UT (US); **Chris Lauridsen**, Provo, UT (US)

(\*\*) Term: **15 Years**

(21) Appl. No.: **29/623,322**

(22) Filed: **Oct. 24, 2017**

(51) **LOC (11) Cl.** ..... **10-04**

(52) **U.S. Cl.**  
USPC ..... **D10/65**

(58) **Field of Classification Search**  
USPC ..... D10/65  
CPC ..... G01B 3/04; G01B 3/566; G01B 5/0023;  
G01B 5/24; G01B 5/241; G01B 5/242;  
G01B 5/243; G01B 5/245; G01B 5/25;  
G01B 5/28

See application file for complete search history.

(56) **References Cited**

**U.S. PATENT DOCUMENTS**

7,191,539	B2 *	3/2007	Zukerman	.....	A63C 3/10 280/809
7,918,035	B1 *	4/2011	Jarczewski	.....	A63C 3/10 280/809
9,897,430	B2 *	2/2018	Layton, Jr.	.....	G01B 5/28

\* cited by examiner

*Primary Examiner* — Antoine Duval Davis  
(74) *Attorney, Agent, or Firm* — Geoffrey E. Dobbin; Dobbin IP Law P.C.

(57) **CLAIM**

The ornamental design for an ice skate blade measuring apparatus, as shown and described.

**DESCRIPTION**

FIG. 1 is a perspective view of the front of a fully assembled skate blade measuring apparatus in accordance with an embodiment of the invention.

FIG. 2 is a front elevation of a fully assembled skate blade measuring apparatus in accordance with an embodiment of the invention.

FIG. 3 is a rear elevation of a fully assembled skate blade measuring apparatus in accordance with an embodiment of the invention.

FIG. 4 is a left elevation of a fully assembled skate blade measuring apparatus in accordance with an embodiment of the invention.

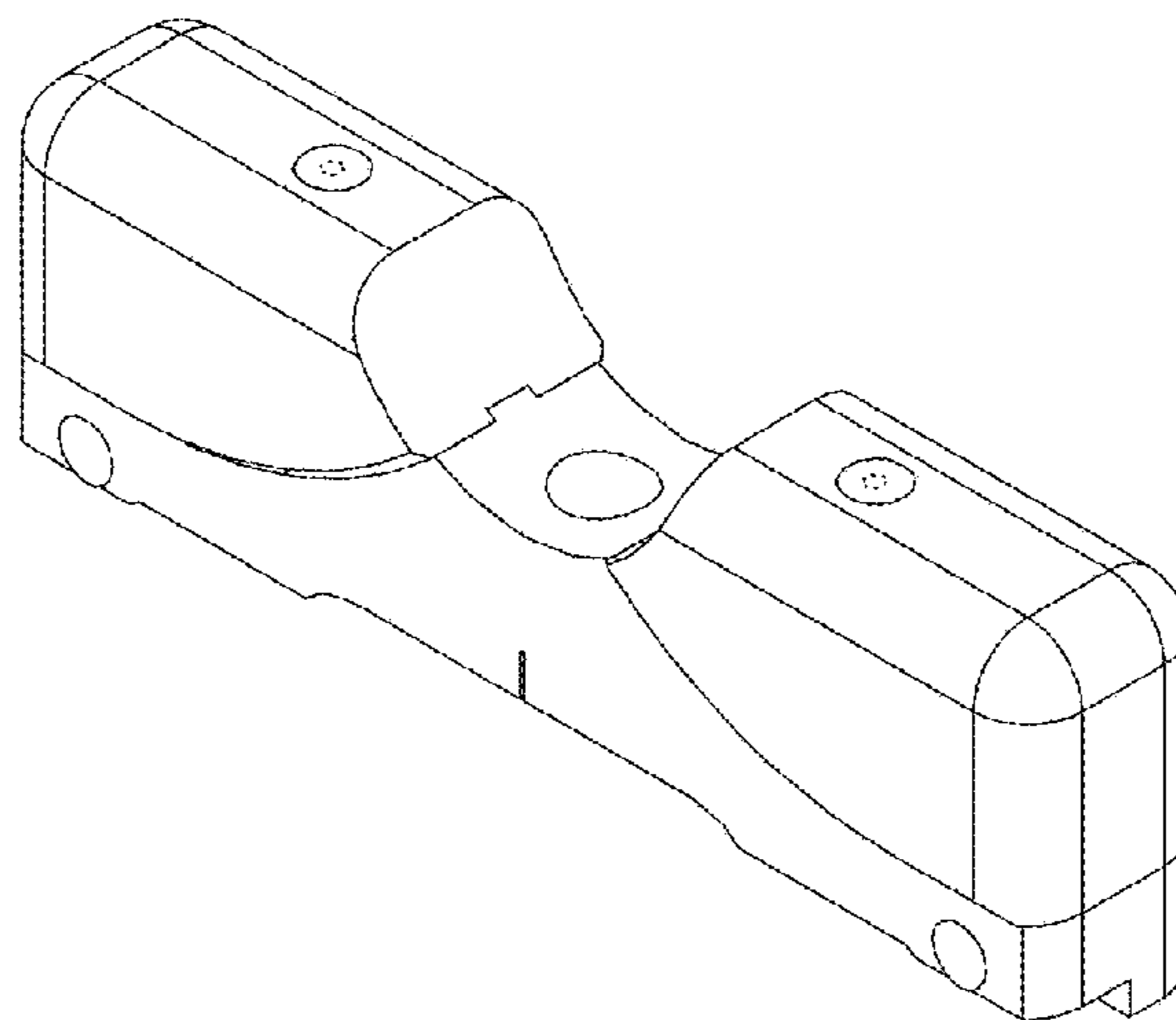
FIG. 5 is a right elevation of a fully assembled skate blade measuring apparatus in accordance with an embodiment of the invention.

FIG. 6 is a top view of a fully assembled skate blade measuring apparatus in accordance with an embodiment of the invention; and,

FIG. 7 is a bottom view of a fully assembled skate blade measuring apparatus in accordance with an embodiment of the invention.

The broken lines in FIGS. 1 and 6 depict screw heads which are illustrative of environment and not intended to form a part of the claimed design.

**1 Claim, 4 Drawing Sheets**



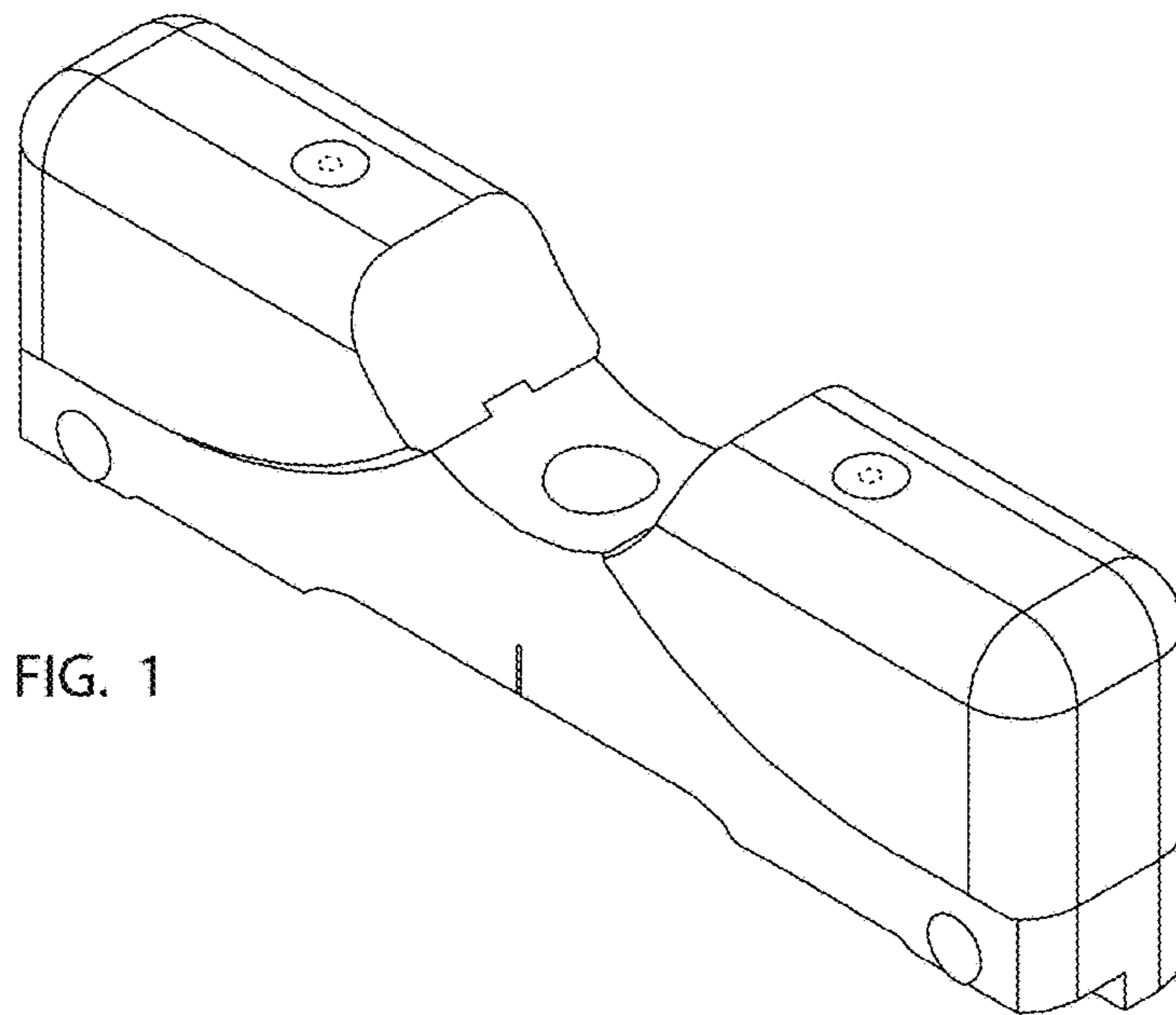


FIG. 1

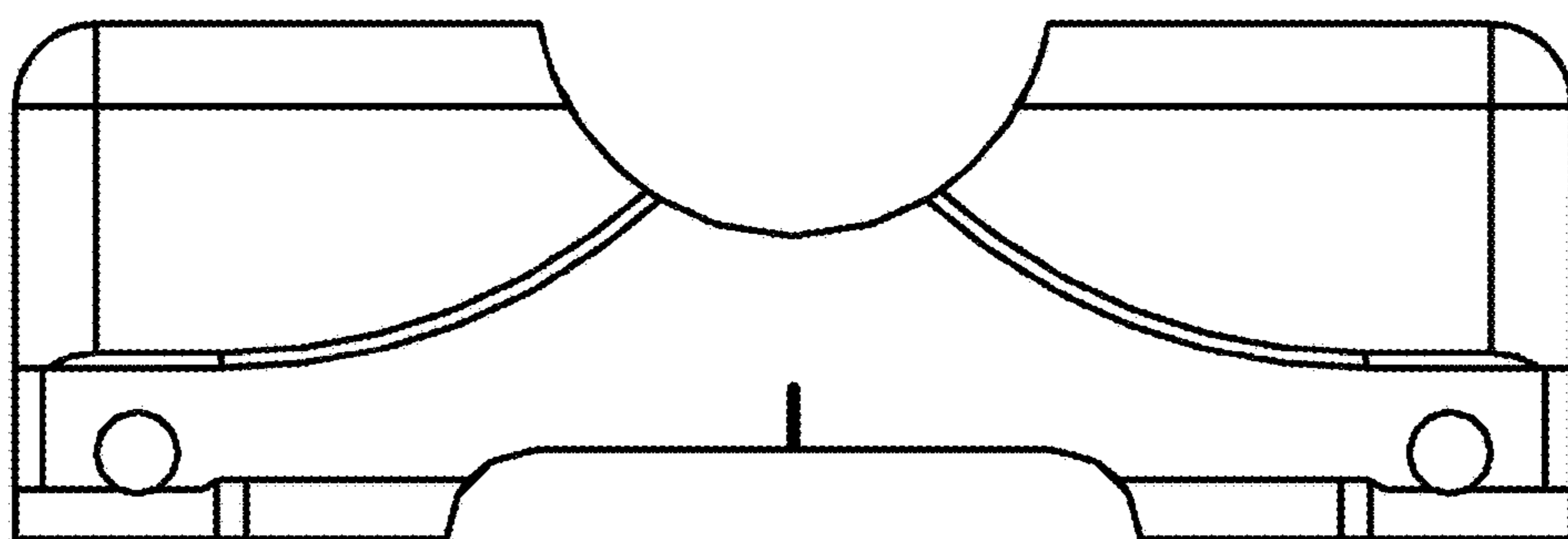


FIG. 2

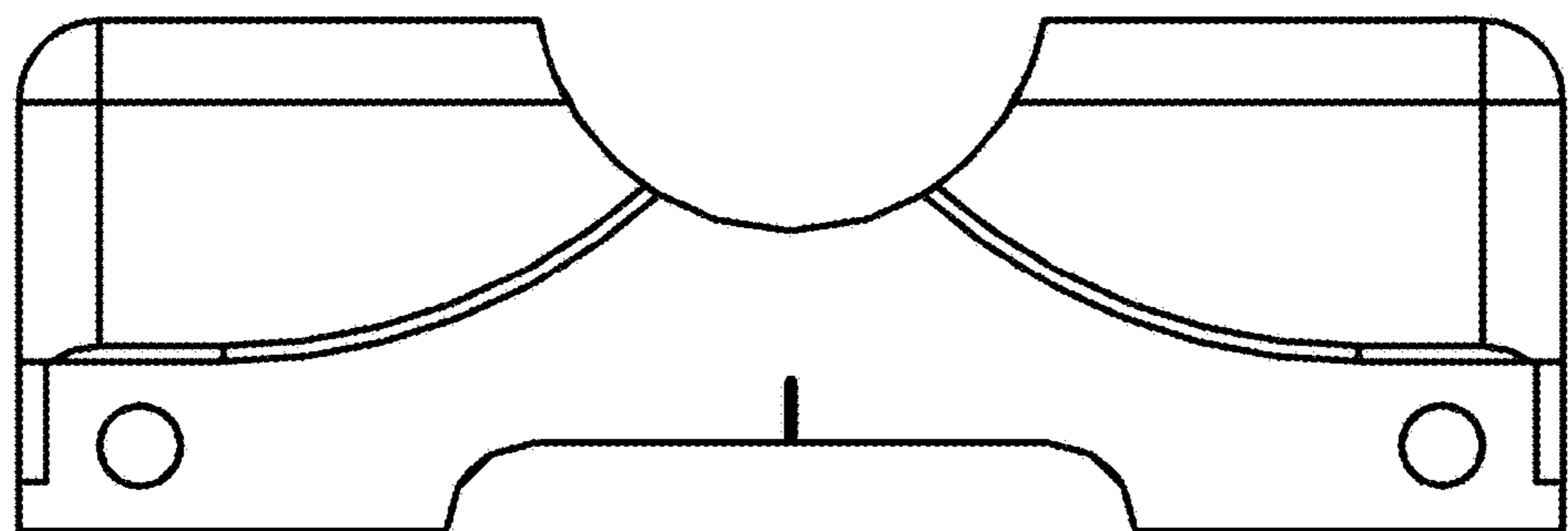


FIG. 3

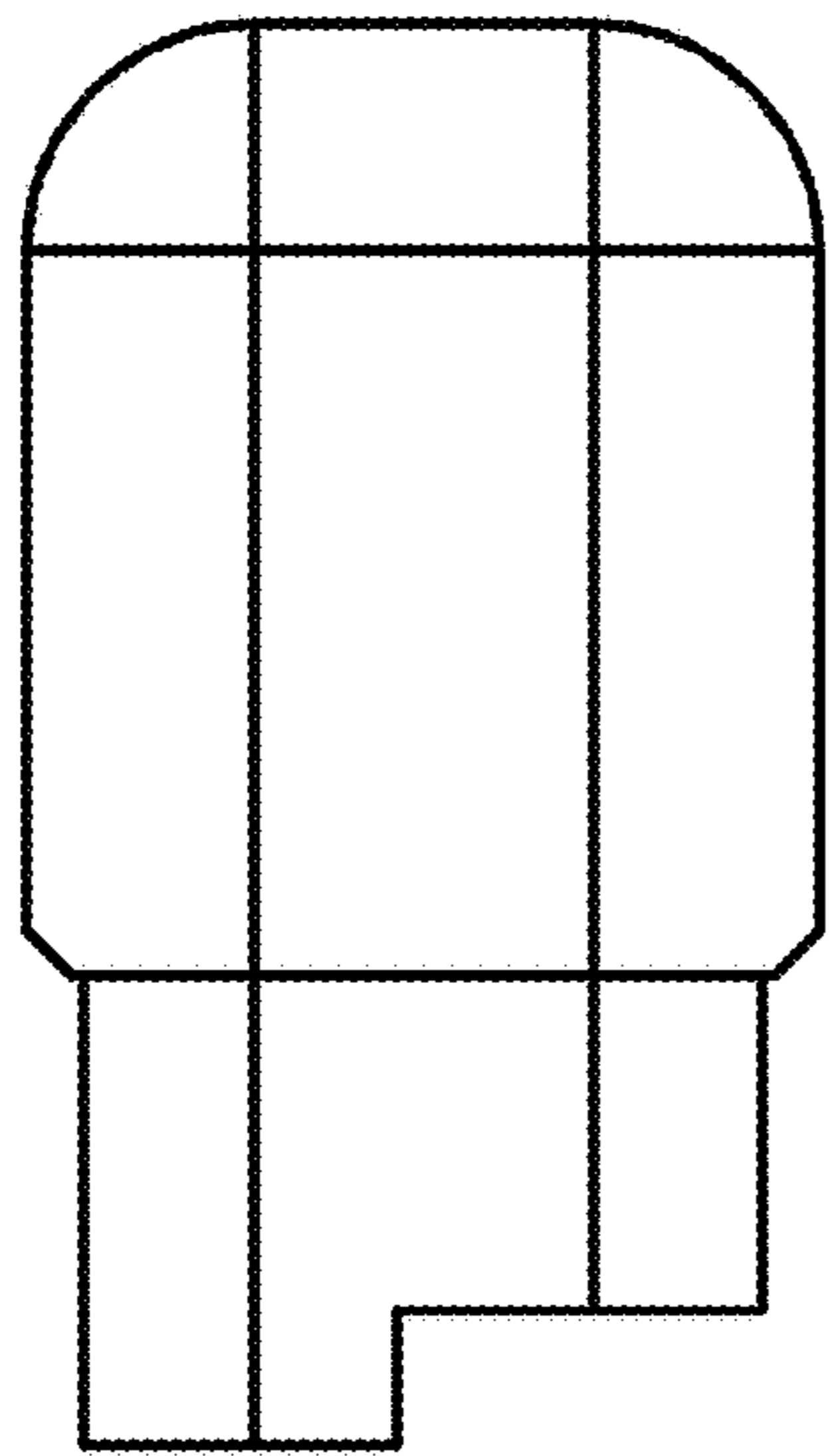


FIG. 4

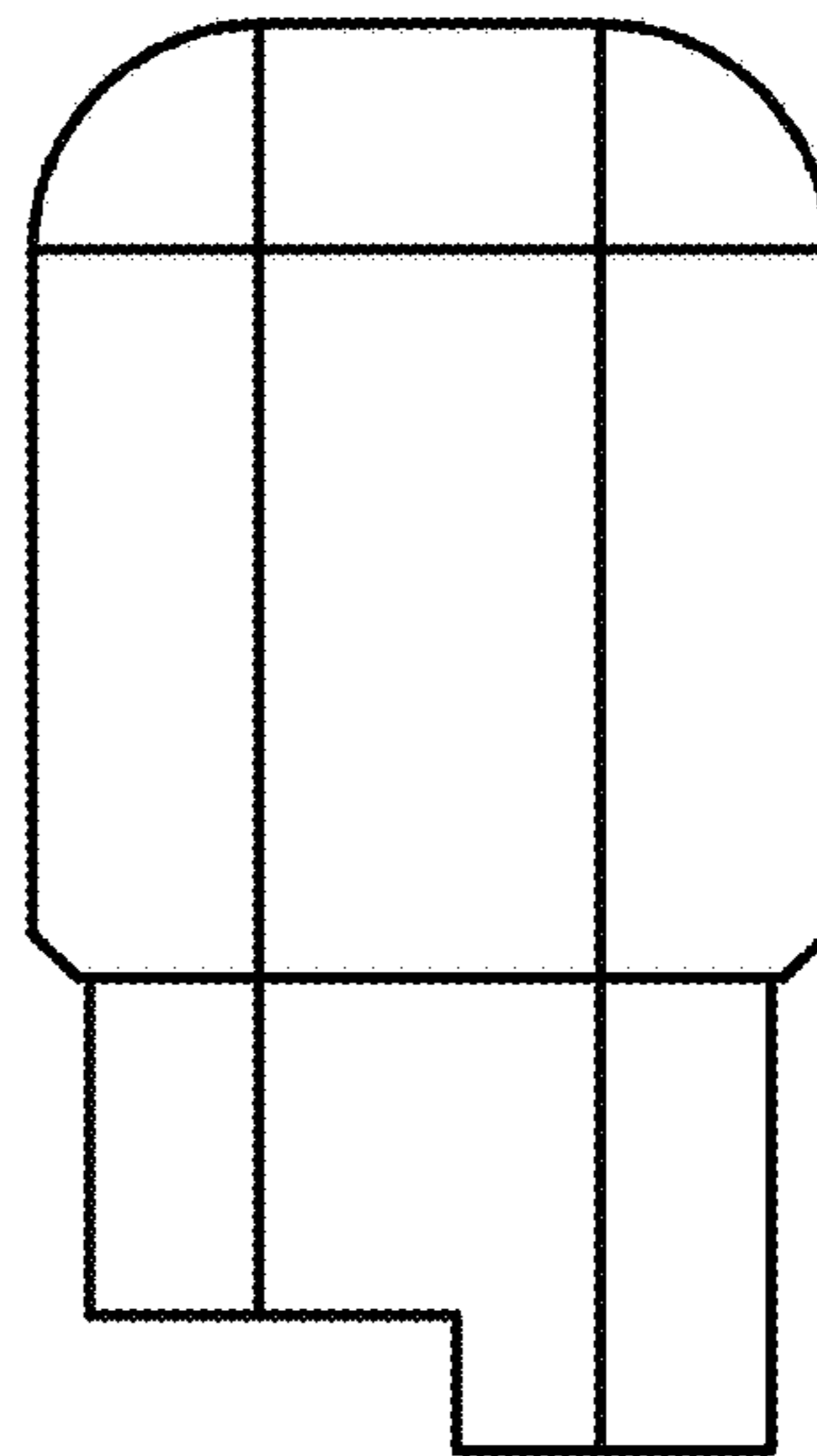


FIG. 5

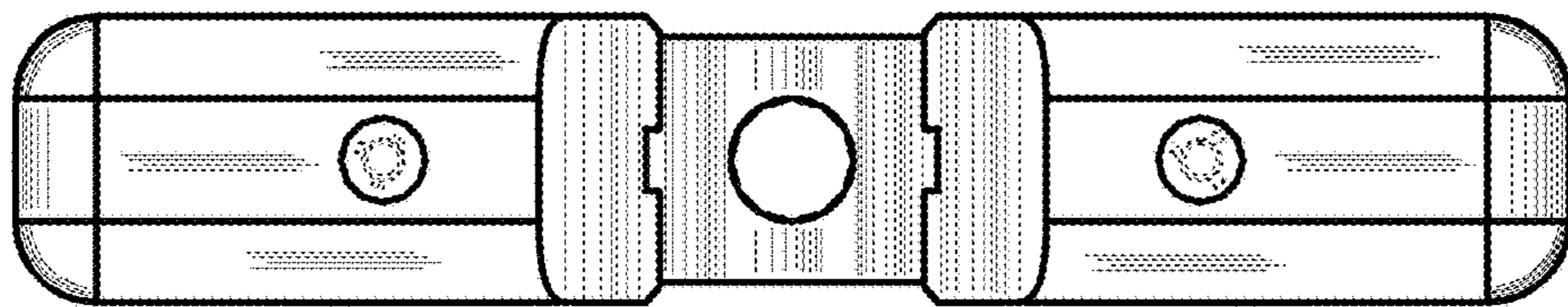


FIG. 6

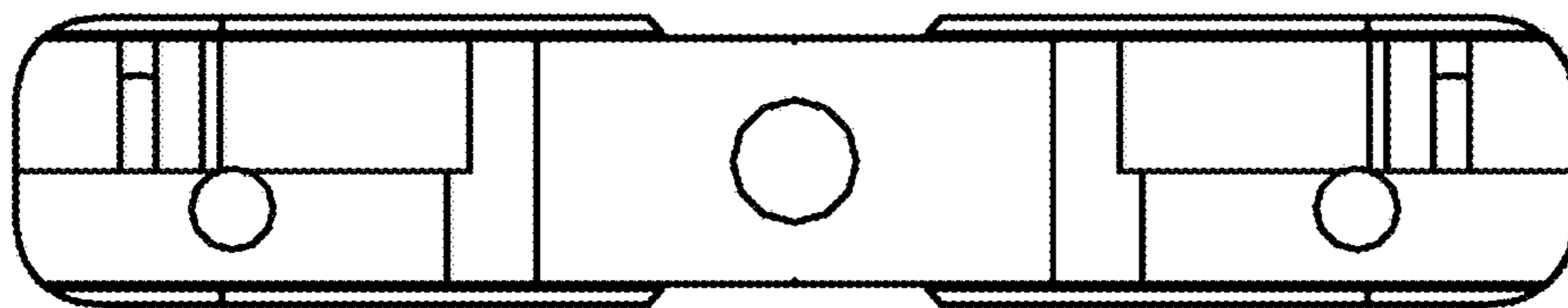


FIG. 7