



US00D845791S

(12) **United States Design Patent** (10) **Patent No.:** **US D845,791 S**
Yao (45) **Date of Patent:** **** Apr. 16, 2019**

- (54) **TUMBLER CLOCK**
- (71) Applicant: **SHENZHEN RELIGHT TECHNOLOGY CO., LTD.**, Shenzhen (CN)
- (72) Inventor: **Jane Yao**, Shenzhen (CN)
- (73) Assignee: **SHENZHEN RELIGHT TECHNOLOGY CO., LTD.**, Shenzhen (CN)
- (**) Term: **15 Years**
- (21) Appl. No.: **29/657,334**
- (22) Filed: **Jul. 20, 2018**
- (51) **LOC (11) Cl.** **10-01**
- (52) **U.S. Cl.**
USPC **D10/22**
- (58) **Field of Classification Search**
USPC D10/1–29, 40, 41, 128–130; D14/170, D14/171, 188, 194, 195, 197, 198
CPC G04B 19/00; G04B 19/04; G04B 19/34; G04B 45/0069; G04C 3/00; G04C 3/0001
See application file for complete search history.

- D460,362 S * 7/2002 Kalman D10/1
- D460,920 S * 7/2002 Kalman D10/22
- D478,562 S * 8/2003 Hu D14/171
- D478,890 S * 8/2003 Ng D14/170
- 7,048,433 B1 * 5/2006 Bhavnani G04B 37/127
368/225
- D525,880 S * 8/2006 Okamura D10/15
- D531,061 S * 10/2006 Oas D10/15
- 7,149,152 B1 * 12/2006 Chan G03B 29/00
368/79
- D567,673 S * 4/2008 Chu D10/15
- D580,791 S * 11/2008 Kuchler D10/15
- D588,022 S * 3/2009 Hocherman D10/15
- D600,569 S * 9/2009 Sadler D10/15
- D615,878 S * 5/2010 Berliat D10/22
- D640,142 S * 6/2011 Bedol D10/15
- D656,043 S * 3/2012 Westerlund D10/15
- D696,967 S * 1/2014 Mombauer D10/22
- D793,869 S * 8/2017 Jeon D10/2
- D797,575 S * 9/2017 Lai D10/22

* cited by examiner

Primary Examiner — Sandra S Snapp
(74) *Attorney, Agent, or Firm* — Juan Carlos A. Marquez; Marquez IP Law Office PLLC

(57) **CLAIM**

I claim the ornamental design for a tumbler clock, as shown and described.

(56) **References Cited**

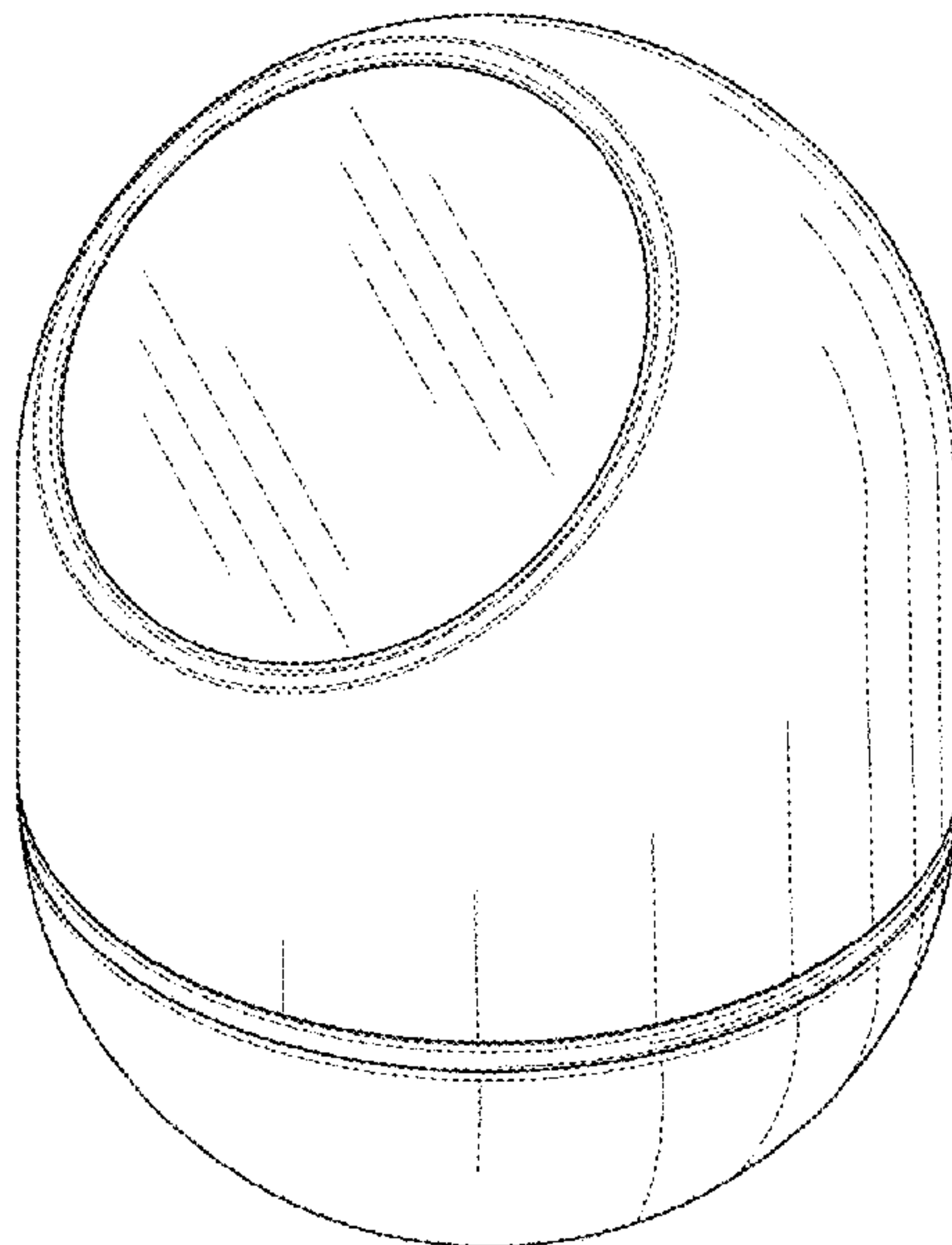
U.S. PATENT DOCUMENTS

- D98,769 S * 3/1936 Horwitt D10/15
- D190,749 S * 6/1961 Marti et al. D10/1
- D276,703 S * 12/1984 Au D10/15
- D326,614 S * 6/1992 Hwang D10/10
- D370,851 S * 6/1996 Lage D10/1
- D386,096 S * 11/1997 Lage D10/103
- D392,901 S * 3/1998 Mok D10/22
- D406,774 S * 3/1999 Sinisi D10/40
- D450,049 S * 11/2001 Lacotta D14/171
- D452,883 S * 1/2002 DeLuca D10/2

DESCRIPTION

FIG. 1 is a perspective view of a tumbler clock, showing my new design;
FIG. 2 is a front view thereof;
FIG. 3 is a rear view thereof;
FIG. 4 is a left-side view thereof;
FIG. 5 is a right-side view thereof;
FIG. 6 is a top view thereof; and,
FIG. 7 is a bottom view thereof.

1 Claim, 6 Drawing Sheets



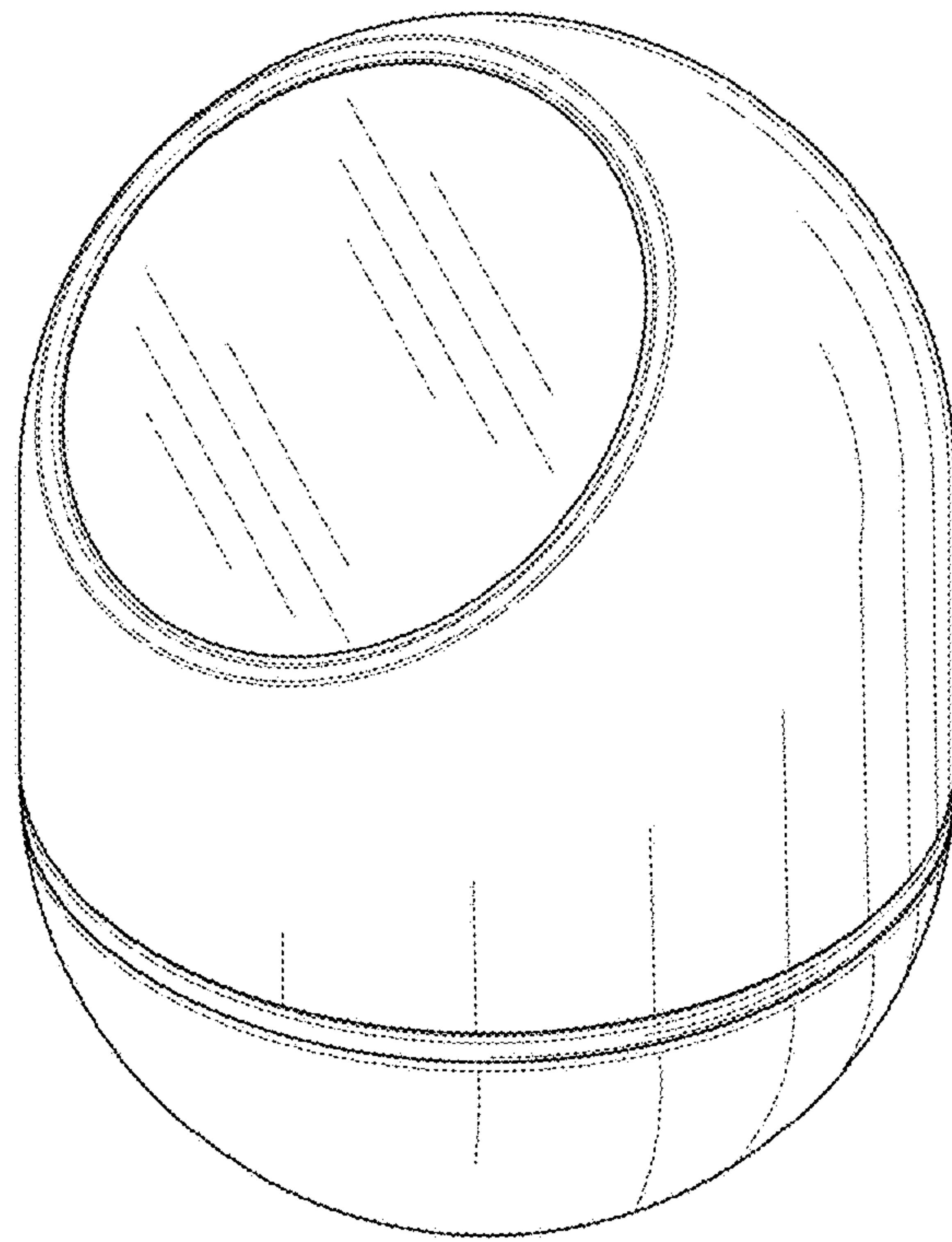


FIG. 1

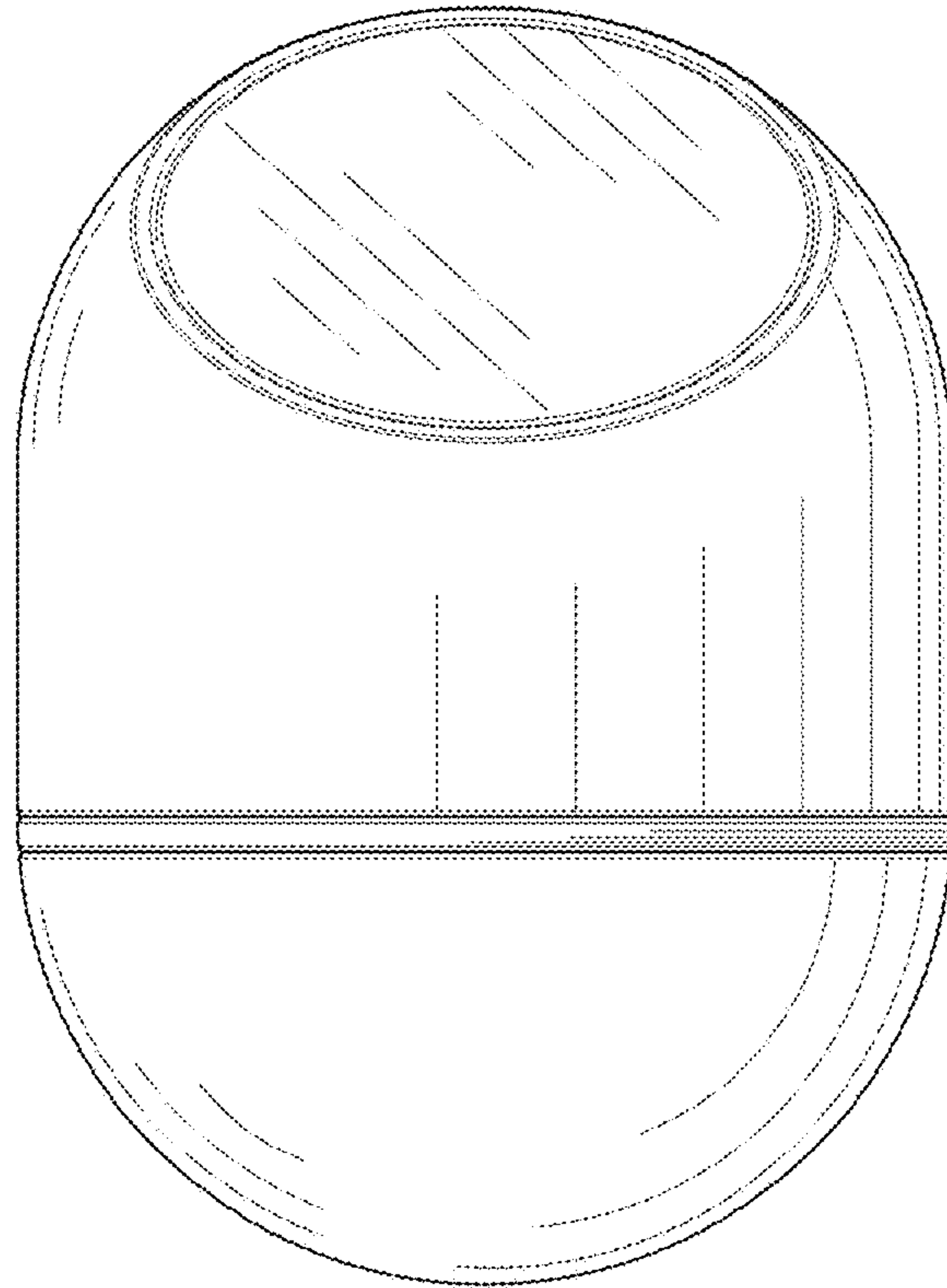


FIG. 2

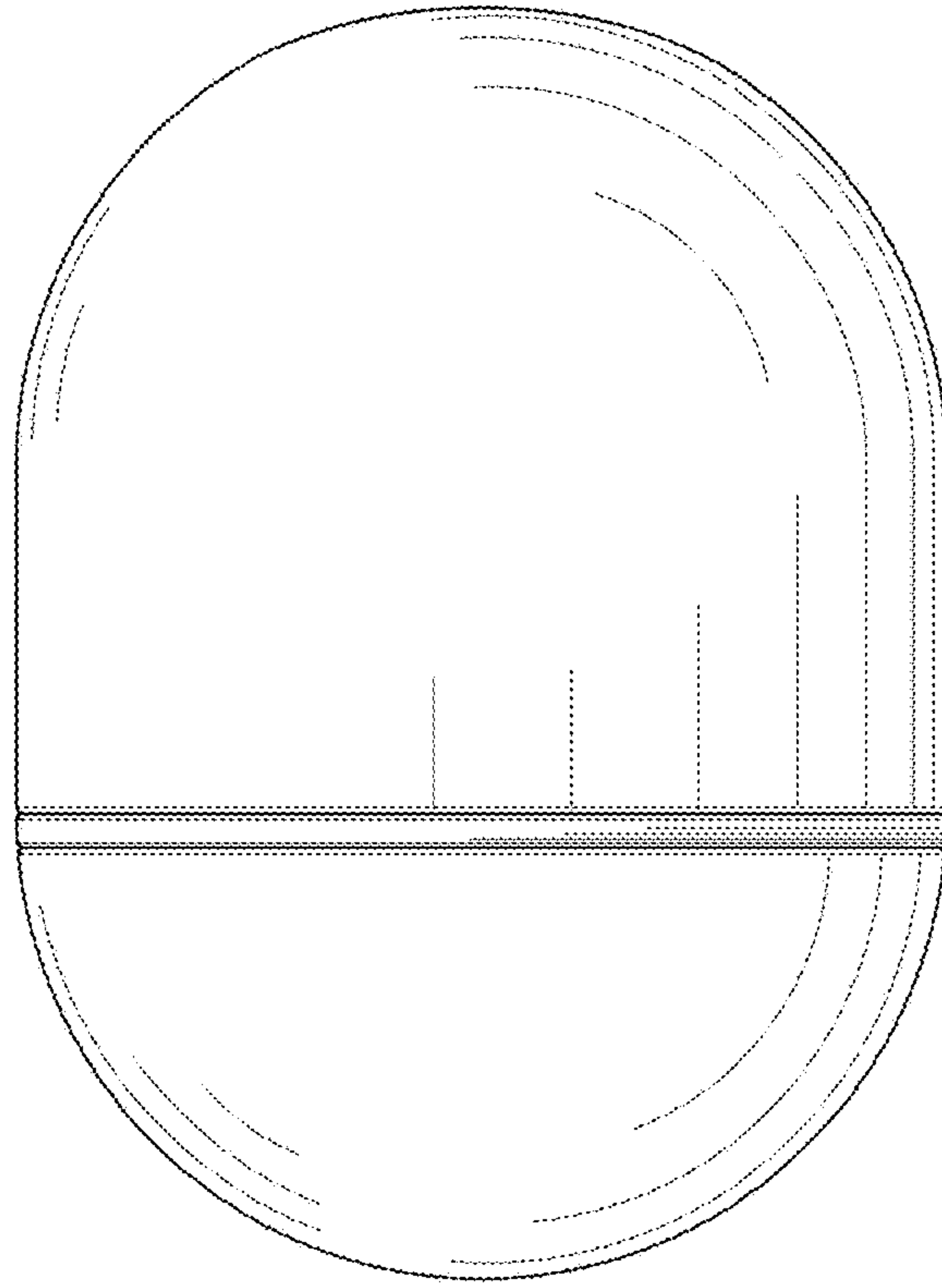


FIG. 3

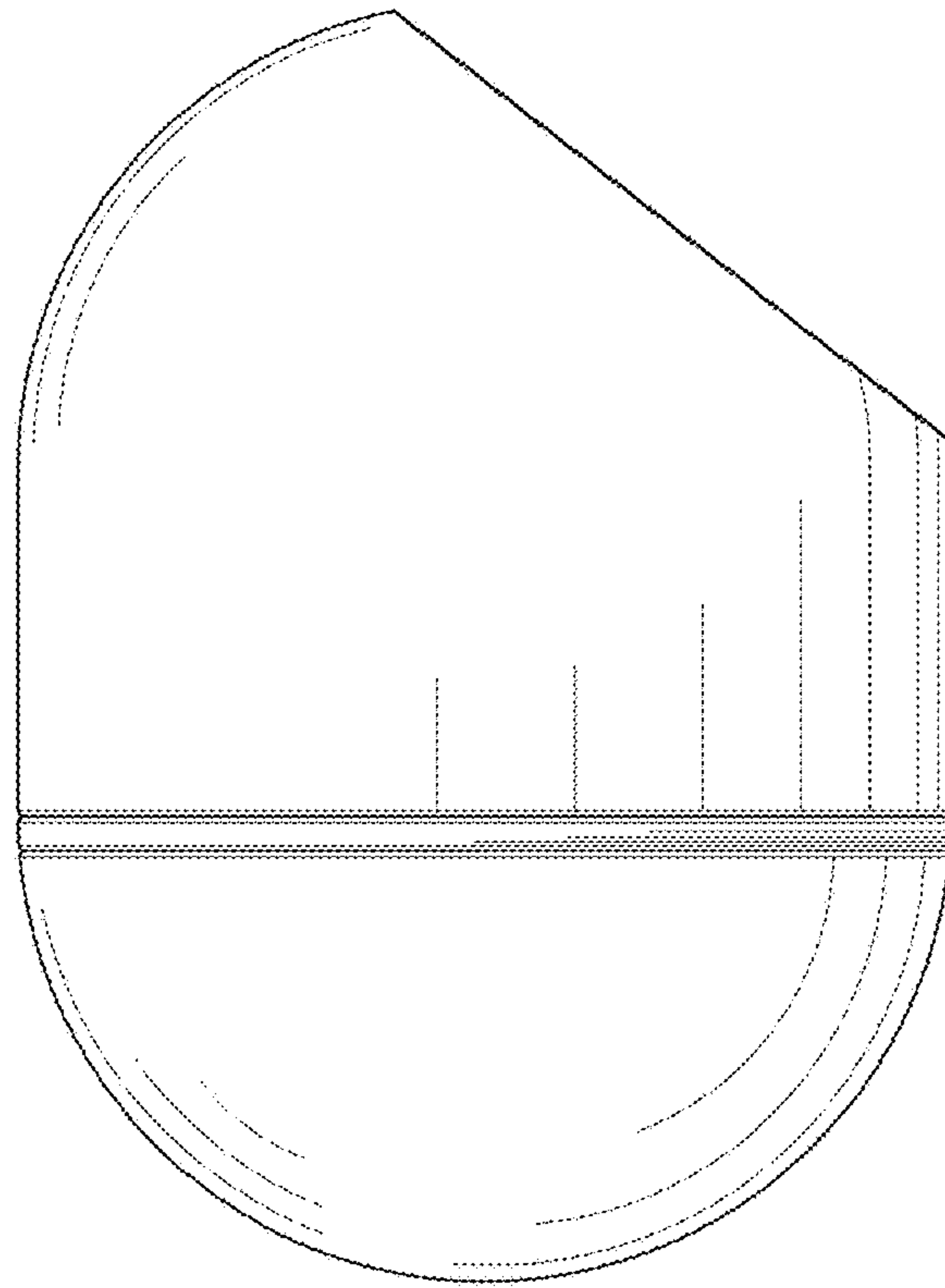


FIG. 4

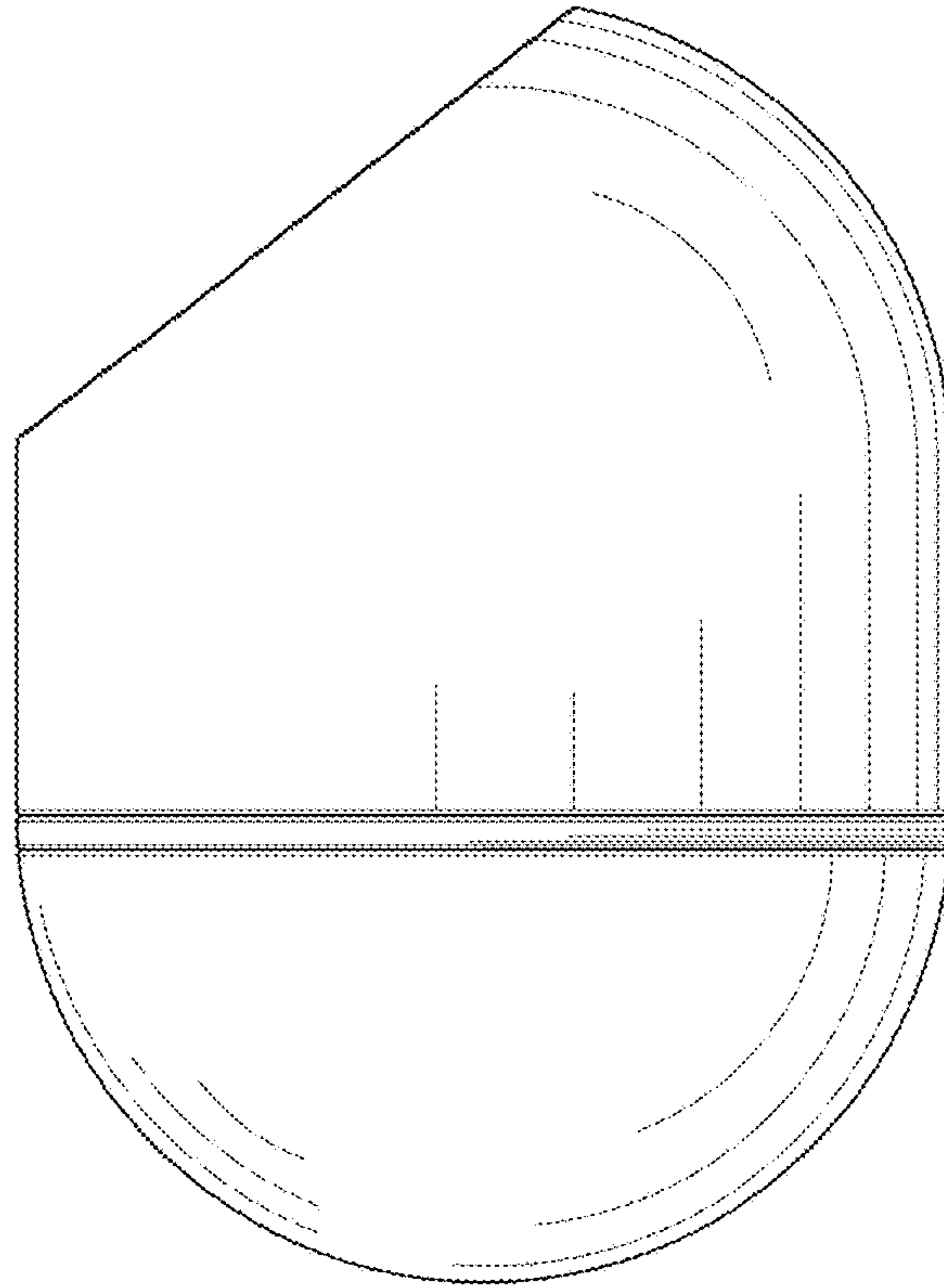


FIG. 5

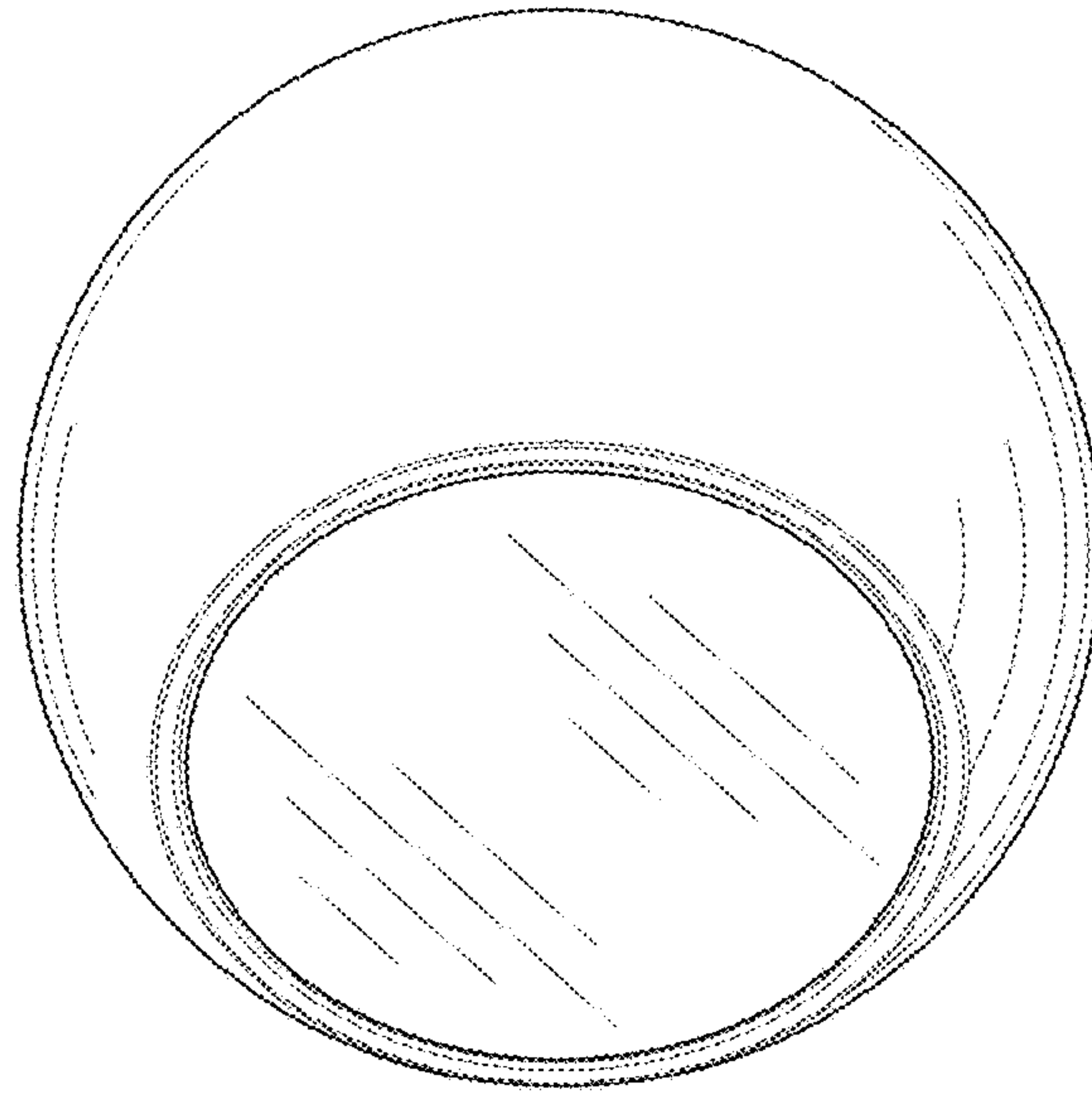


FIG. 6

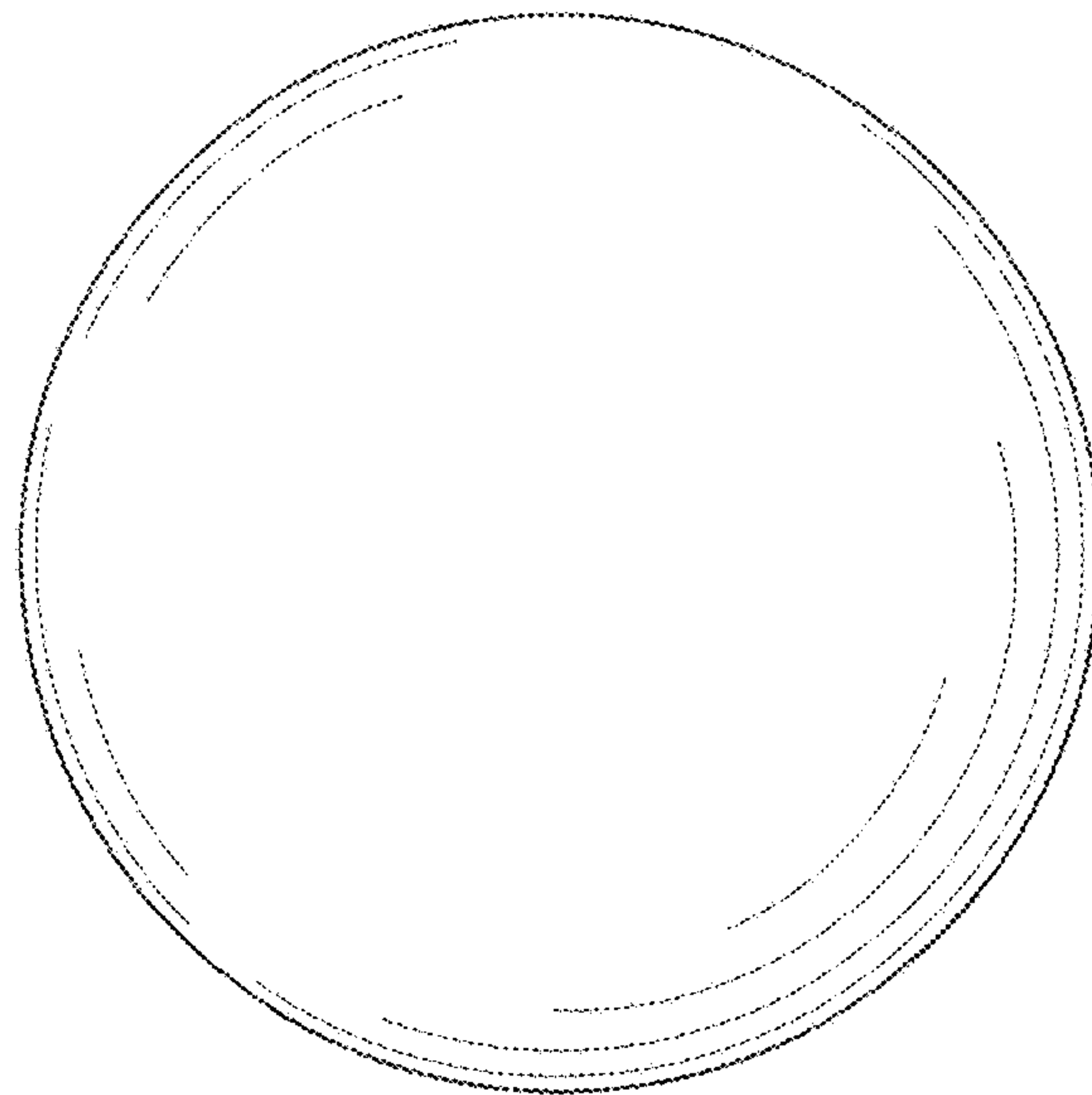


FIG. 7