



US00D845790S

(12) **United States Design Patent**  
**Straughan**

(10) **Patent No.:** **US D845,790 S**

(45) **Date of Patent:** **\*\* Apr. 16, 2019**

(54) **SNUFF BOX**

(71) Applicant: **Swedish Match North Europe AB**,  
Stockholm (SE)

(72) Inventor: **Simon Straughan**, Newcastle (GB)

(73) Assignee: **Swedish Match North Europe AB**,  
Stockholm (SE)

(\*\*) Term: **15 Years**

(21) Appl. No.: **29/565,637**

(22) Filed: **May 23, 2016**

(30) **Foreign Application Priority Data**

Jan. 18, 2016 (EM) ..... 002949404-0001  
Jan. 18, 2016 (EM) ..... 002949404-0002  
Jan. 18, 2016 (EM) ..... 002949404-0003  
Jan. 18, 2016 (EM) ..... 002949404-0004

(51) **LOC (11) Cl.** ..... **09-01**

(52) **U.S. Cl.**  
USPC ..... **D9/772**

(58) **Field of Classification Search**  
USPC ..... D9/414, 416, 424, 428, 434-435, 439,  
D9/443, 449, 451, 454, 500-505, 516,  
D9/530-531, 533, 535, 549, 558, 669,  
D9/715, 721, 763, 772, 778-780;  
D1/105; D3/203.2, 203.3, 203.4;  
D27/102, 127, 133, 172, 183, 186,  
D27/189-190; D24/224; D28/82, 91  
CPC ... B65D 1/00; B65D 1/10; B65D 1/12; B65D  
1/14; B65D 1/16; B65D 1/165; B65D  
23/00; B65D 25/00; B65D 39/00; B65D  
39/0052; B65D 39/0076; B65D 39/02;  
B65D 39/025; B65D 41/00; B65D 41/16;  
B65D 41/18; B65D 41/28; B65D 43/00;  
B65D 43/02; B65D 43/0202; B65D  
43/0204

See application file for complete search history.

(56) **References Cited**

U.S. PATENT DOCUMENTS

D581,792 S \* 12/2008 Krohn ..... D9/504  
D617,941 S \* 6/2010 Bjorkholm ..... D27/172  
D650,269 S \* 12/2011 Berggren ..... D9/423  
D686,513 S \* 7/2013 Henriksson ..... D9/428  
D711,746 S \* 8/2014 Humm ..... D9/449  
D712,263 S \* 9/2014 Humm ..... D9/449

(Continued)

*Primary Examiner* — Michael A. Pratt

(74) *Attorney, Agent, or Firm* — Knobbe Martens Olson  
& Bear LLP

(57) **CLAIM**

The ornamental design for a snuff box, as shown and  
described.

**DESCRIPTION**

FIG. 1 is front perspective view of a snuff box. The rear  
perspective view is the same as the front perspective view.  
FIG. 2 is a front view of the snuff box of FIG. 1 rotated about  
45° from left to right. The rear view is the same as the front  
view.

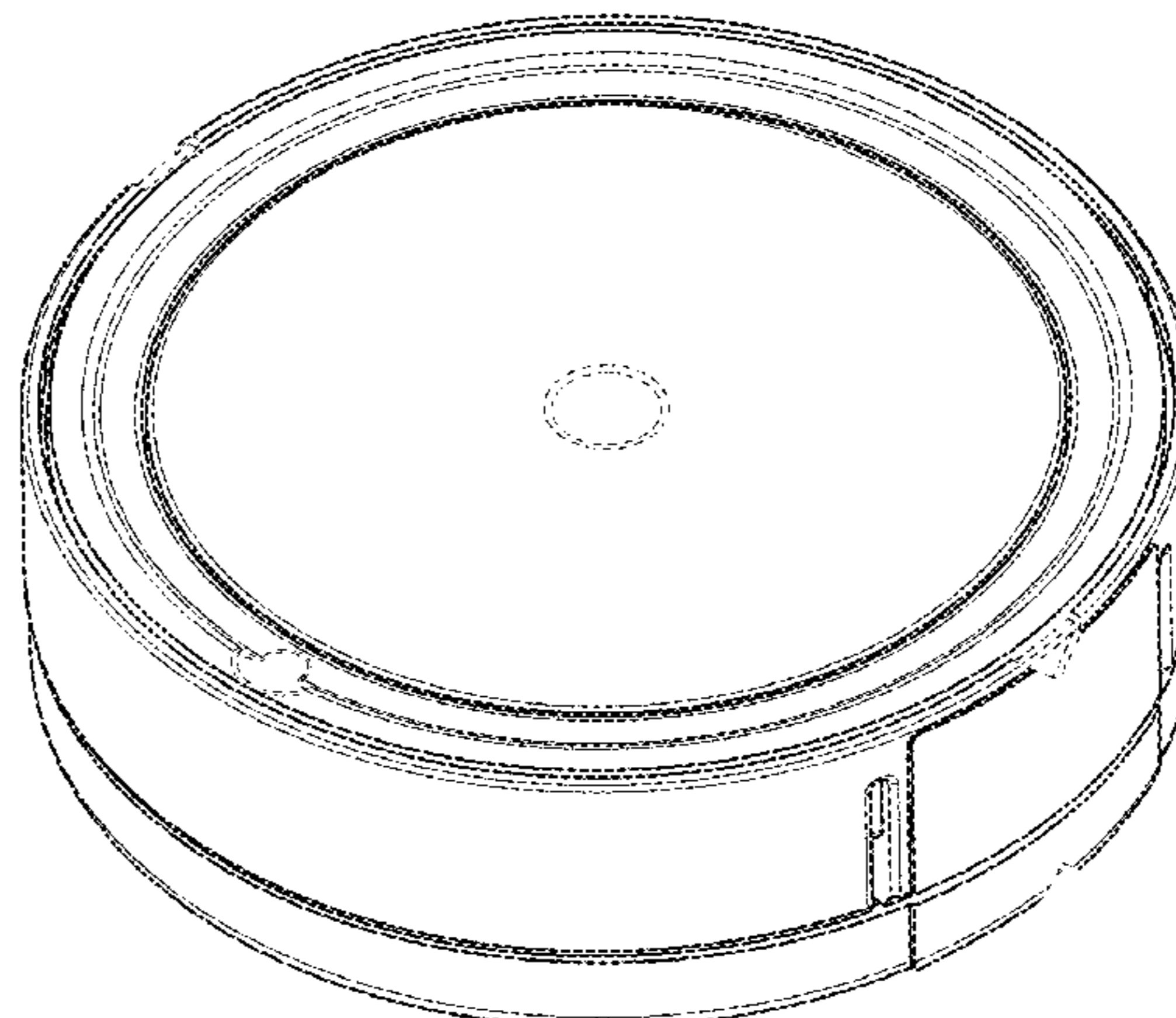
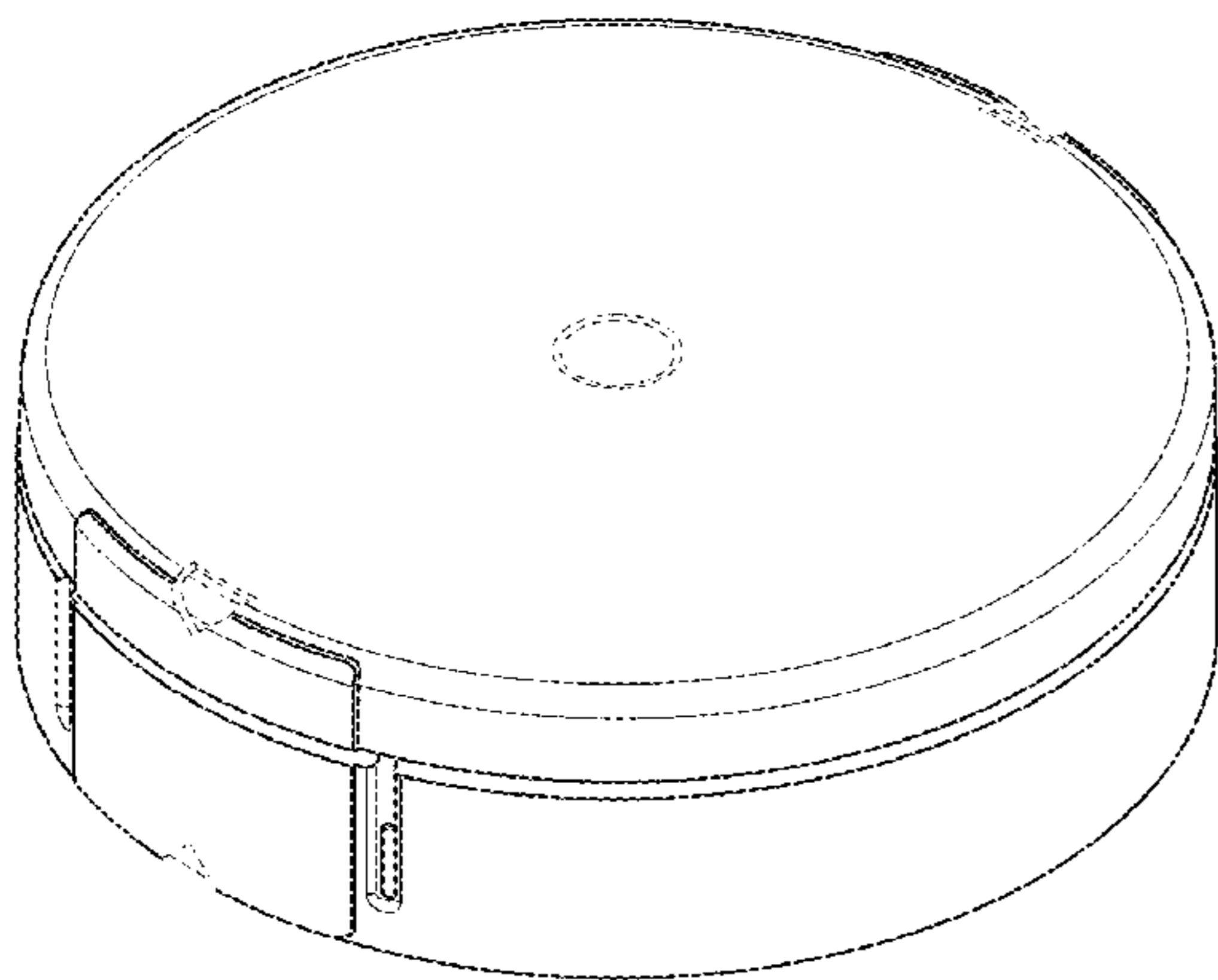
FIG. 3 is a right side view of the snuff box of FIG. 1 rotated  
about 45° from left to right. The left side view is the same  
as the right side view.

FIG. 4 is an overhead view of the snuff box of FIG. 1 rotated  
about 45° from left to right.

FIG. 5 is rear perspective view of the snuff box of FIG. 1.  
The view in FIG. 5 results from the snuff box of FIG. 1 being  
flipped over and rotated about 90° from left to right; and,  
FIG. 6 is an underside view of the snuff box of FIG. 1 rotated  
about 45°.

In general, any broken line illustration of environmental  
structure in the drawing forms no part of the design sought  
to be patented.

**1 Claim, 3 Drawing Sheets**



(56)

**References Cited**

U.S. PATENT DOCUMENTS

D712,264 S	*	9/2014	Humm .....	D9/449
D719,715 S	*	12/2014	Kesselman .....	D99/37
D721,853 S	*	1/2015	Koo .....	D28/82
D722,404 S	*	2/2015	Son .....	D28/82
D726,377 S	*	4/2015	Koo .....	D28/82
D756,790 S	*	5/2016	Henriksson .....	D9/504
D773,302 S	*	12/2016	Henriksson .....	D9/451

\* cited by examiner

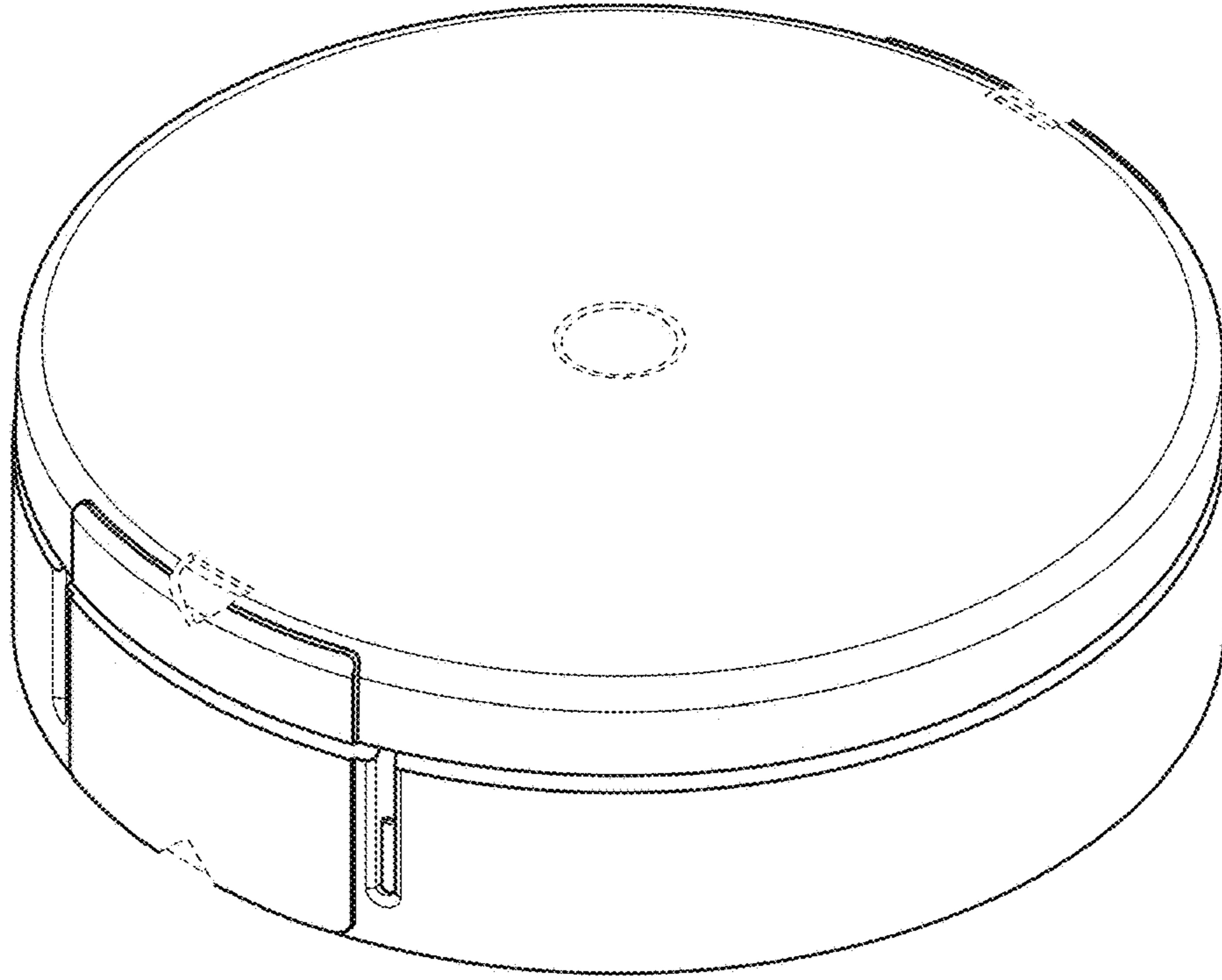


FIG. 1

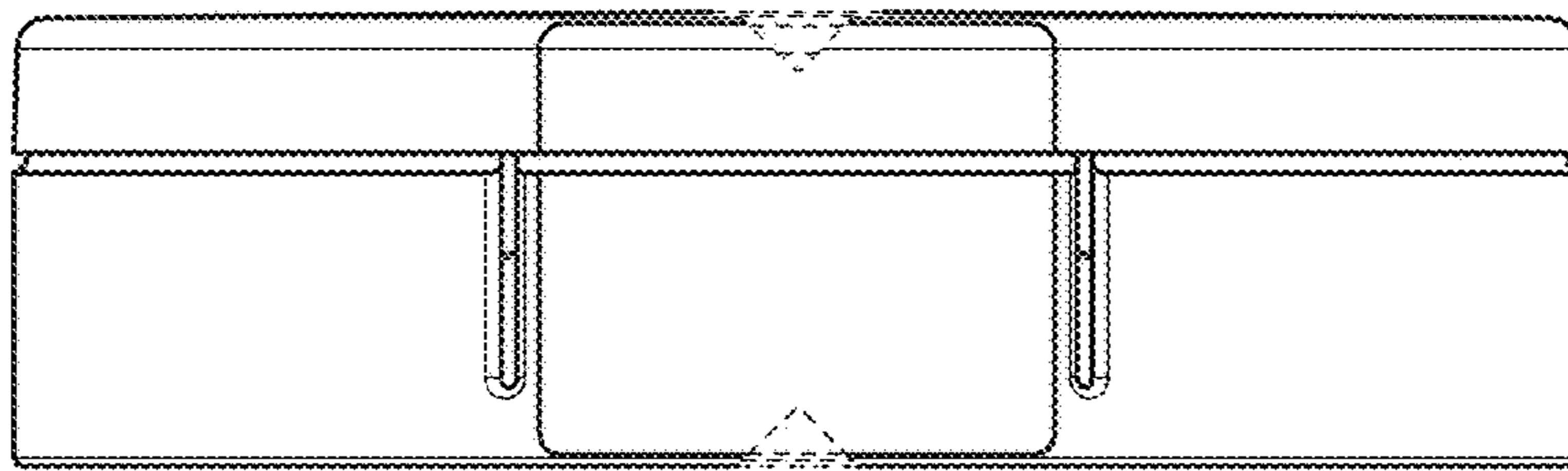


FIG. 2

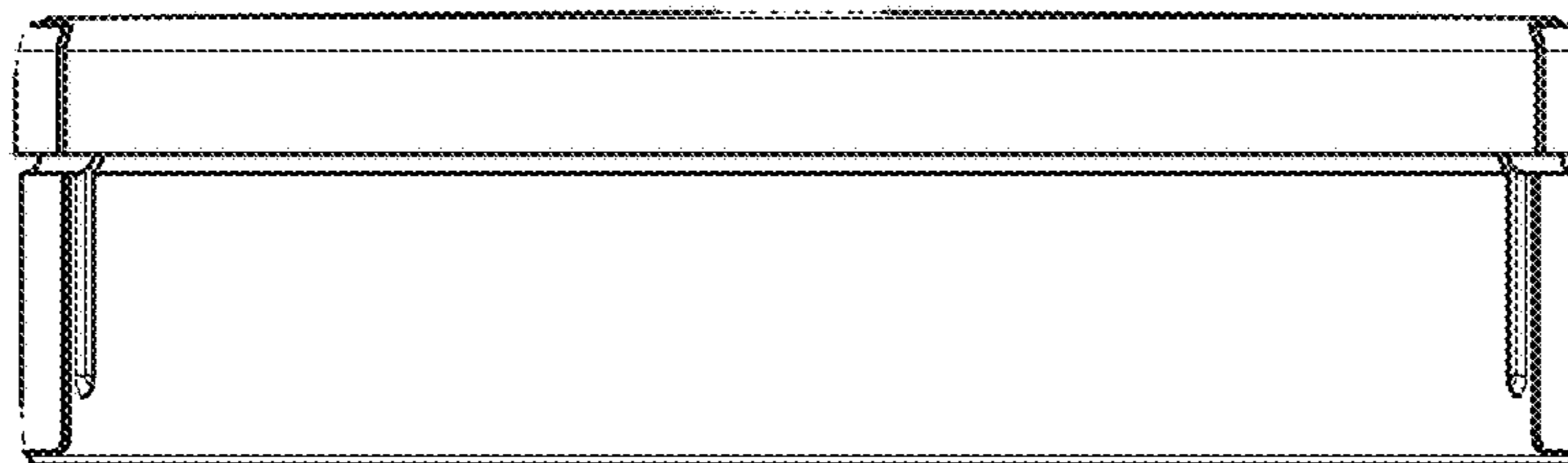


FIG. 3

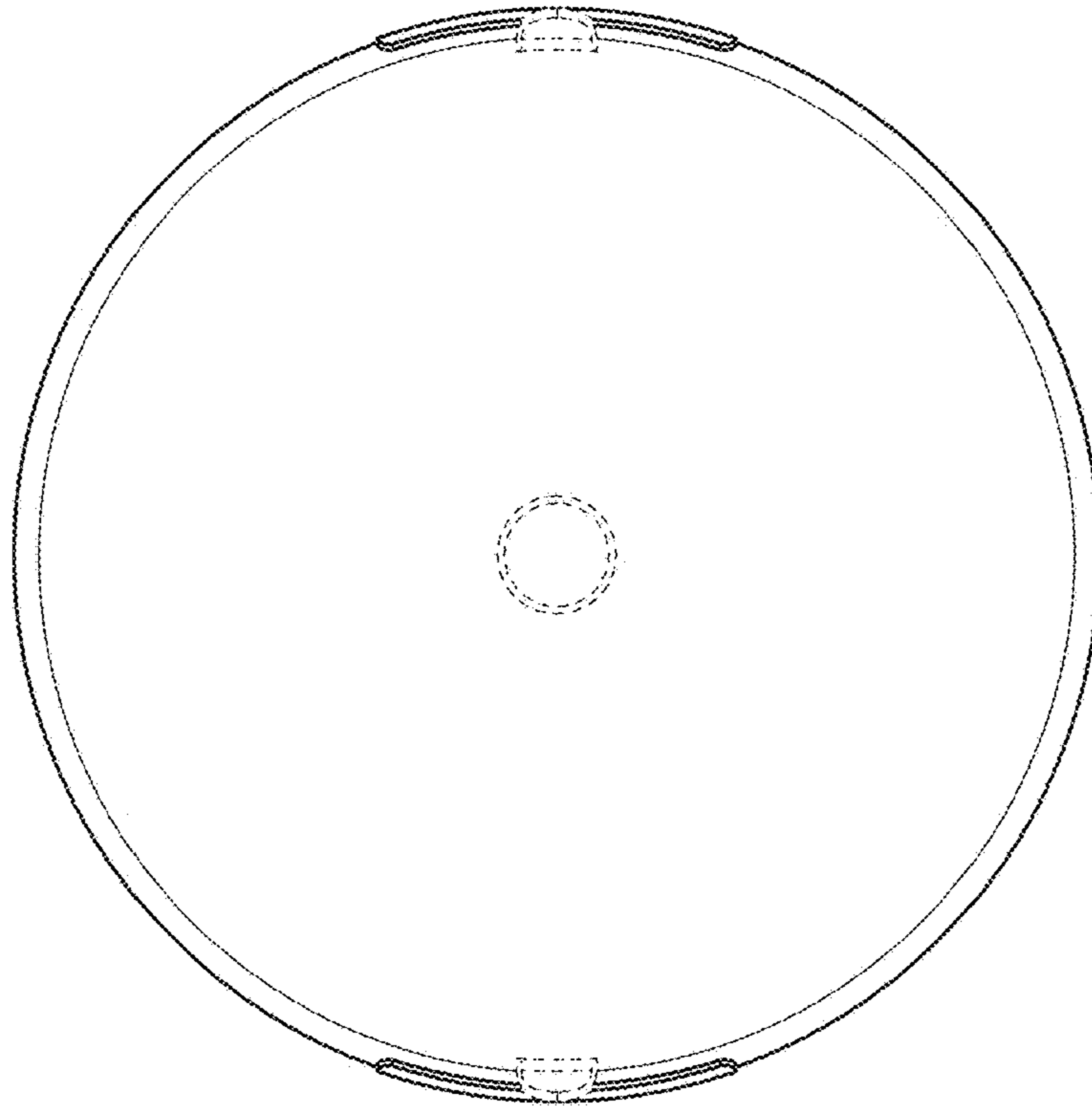


FIG. 4

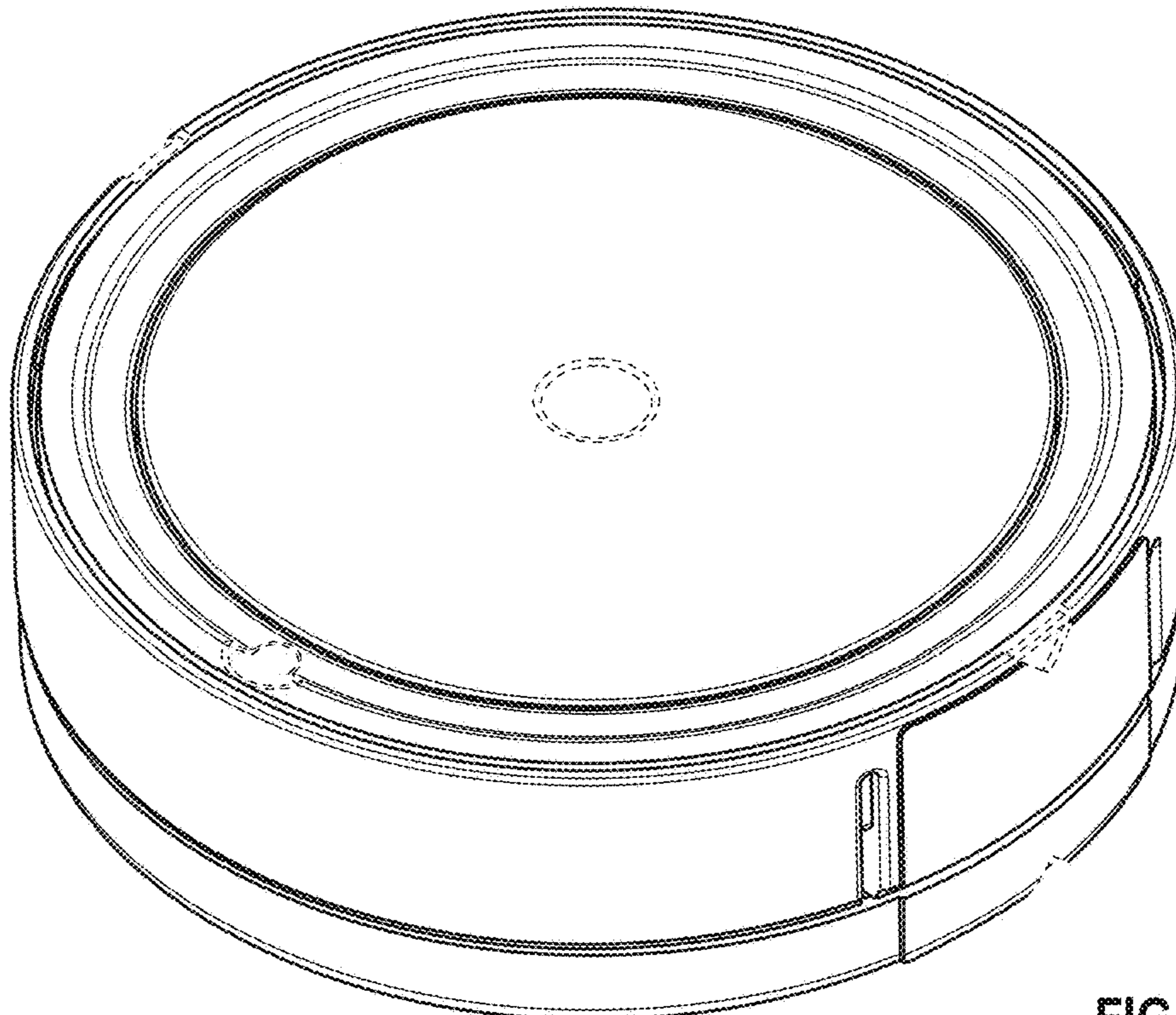


FIG. 5

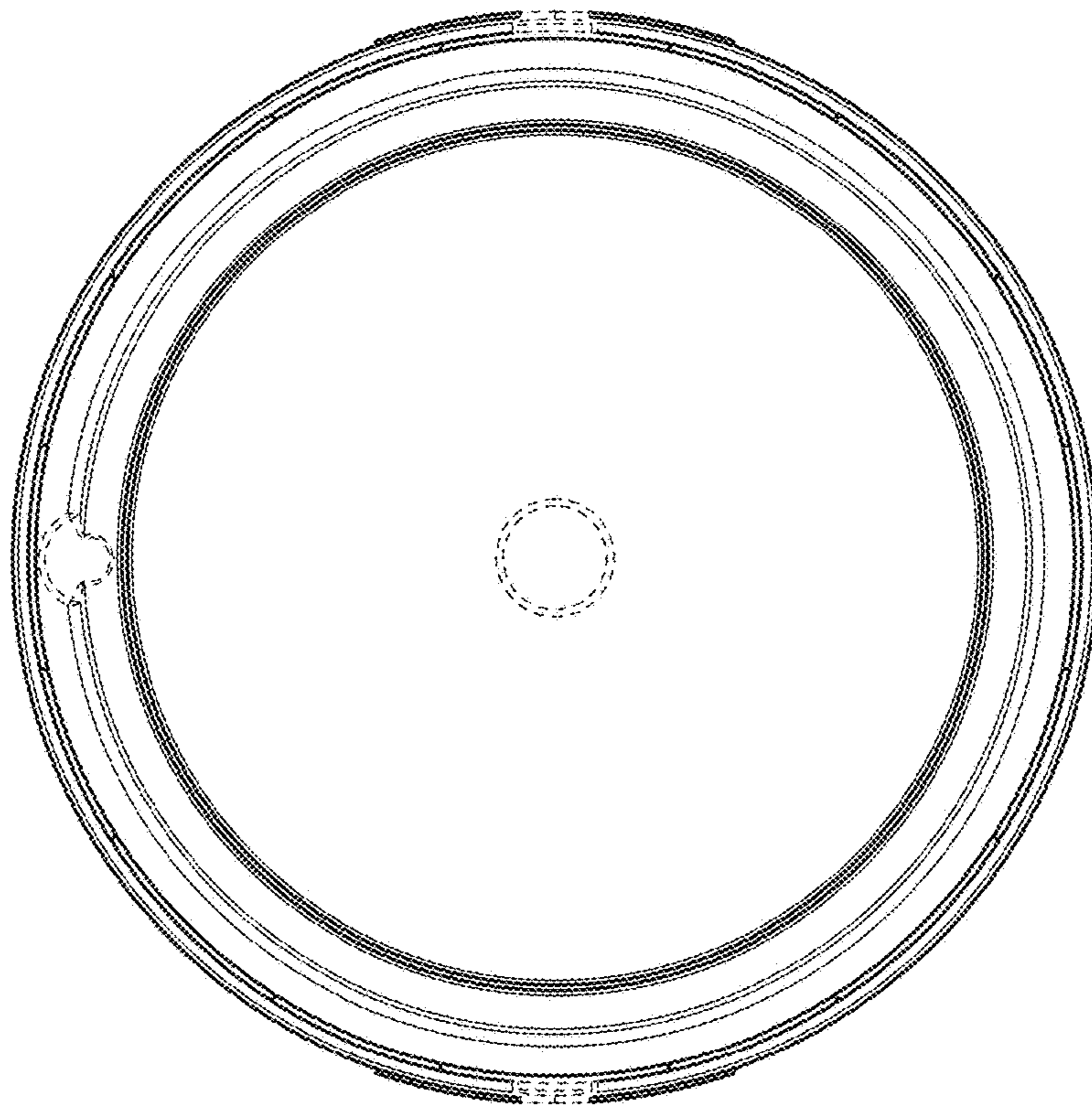


FIG. 6