



US00D845788S

(12) **United States Design Patent**
O'Neill

(10) **Patent No.:** **US D845,788 S**

(45) **Date of Patent:** **** Apr. 16, 2019**

(54) **PACKAGING**

(71) Applicant: **SUGARFINA, INC.**, Inglewood, CA
(US)

(72) Inventor: **Rosie Colleen O'Neill**, Inglewood, CA
(US)

(73) Assignee: **Sugarfina Inc.**, El Segundo, CA (US)

(**) Term: **15 Years**

(21) Appl. No.: **29/609,560**

(22) Filed: **Jun. 30, 2017**

(51) **LOC (11) Cl.** **09-03**

(52) **U.S. Cl.**
USPC **D9/737; D9/432**

(58) **Field of Classification Search**
USPC D9/414, 418, 715, 721, 737, 756, 759;
D3/201, 273, 274, 302; D7/629
(Continued)

(56) **References Cited**

U.S. PATENT DOCUMENTS

228,158 A 5/1880 Woods
D36,435 S 7/1903 Daggett
(Continued)

FOREIGN PATENT DOCUMENTS

DE M9202895-0002 9/1992
DE G1997182206 3/1993
(Continued)

OTHER PUBLICATIONS

Chocomize, Candy Cube Boxes, www.chocomize.com/candy-cube-box-9pc.html (Jun. 29, 2017).

(Continued)

Primary Examiner — Lauren R Calve

(74) *Attorney, Agent, or Firm* — Troutman Sanders LLP;
Alexis Simpson; Chris Davis

(57) **CLAIM**

The ornamental design for a packaging, as shown and described.

DESCRIPTION

FIG. 1 is a perspective view of a packaging showing my new design.

FIG. 2 is a left view thereof.

FIG. 3 is a right view thereof.

FIG. 4 is a front view thereof.

FIG. 5 is a rear view thereof.

FIG. 6 is a top view thereof.

FIG. 7 is a bottom view thereof.

FIG. 8 is a perspective view thereof, shown without the top for clarity of illustration.

FIG. 9 is a left view thereof, shown without the top for clarity of illustration.

FIG. 10 is a right view thereof, shown without the top for clarity of illustration.

FIG. 11 is a front view thereof, shown without the top for clarity of illustration.

FIG. 12 is a rear view thereof, shown without the top for clarity of illustration.

FIG. 13 is a top view thereof, shown without the top for clarity of illustration.

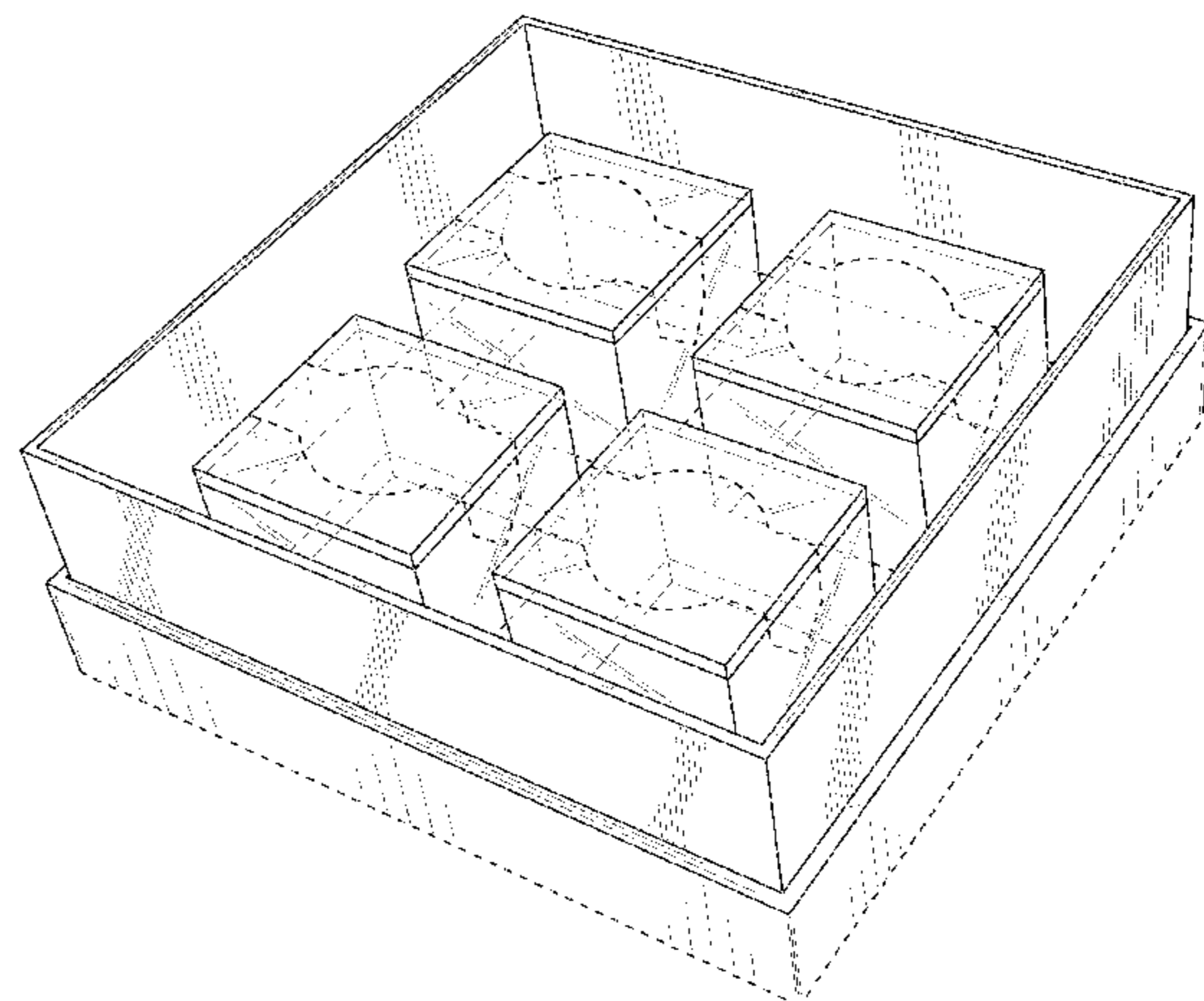
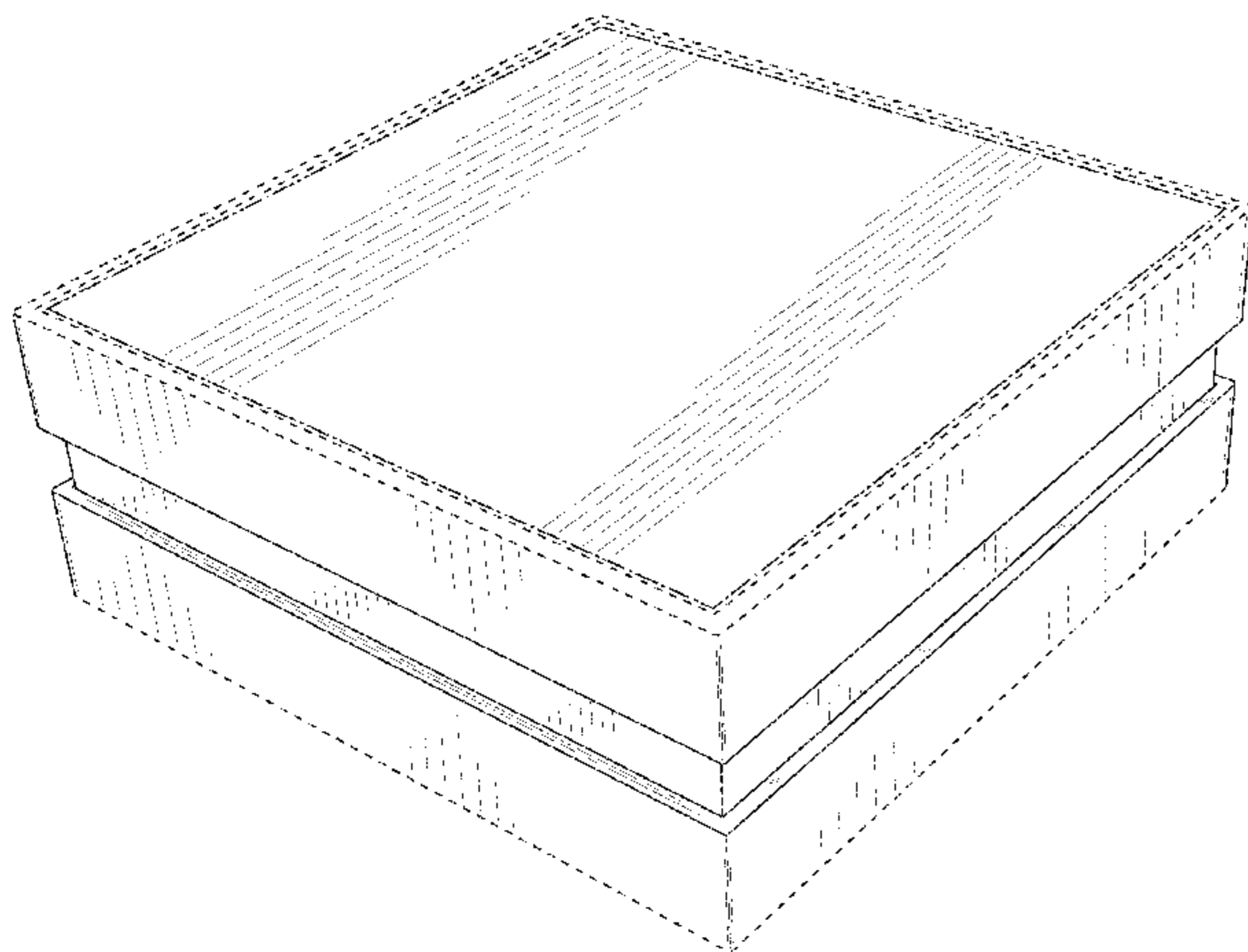
FIG. 14 is a bottom view thereof, shown without the top for clarity of illustration; and,

FIG. 15 is an exploded perspective view of the packaging showing my new design.

The broken lines shown represent unclaimed subject matter and form no part of the claimed design. The shade lines shown represent surface shading and not surface ornamentation, color, or material type.

The long dash-short dash lines shown represent an unclaimed boundary that forms no part of the claimed design. The space between the long dash-short dash and broken lines also forms no part of the claimed design.

1 Claim, 15 Drawing Sheets



(58) **Field of Classification Search**

CPC .. B65D 5/4204; B65D 5/5021; B65D 5/4208;
 B65D 85/1045; B65D 5/5035; B65D
 5/5213; B65D 5/22; B65D 5/38; B65D
 2519/00273; B65D 5/42; B65D 5/5038;
 B65D 2519/00323; B65D 5/5028; B65D
 5/5253; B65D 25/04; B65D 5/5016;
 B65D 5/68; B65D 85/00; B65D
 2543/00194; B65D 2543/00296; B65D
 2519/00711; B65D 2519/00034; B65D
 2519/00069; B65D 81/368; B65D
 21/0233; Y10S 206/804; Y10S 206/82

See application file for complete search history.

5,590,786 A 1/1997 Jaycox
 5,603,558 A * 2/1997 Zimmer A47B 81/00
 206/566
 D380,417 S 7/1997 Hardy
 D380,926 S 7/1997 Goodburn et al.
 5,682,999 A 11/1997 Larson
 5,791,468 A 8/1998 House
 5,817,510 A 10/1998 Pandey et al.
 D411,308 S 6/1999 Pandey et al.
 D424,296 S 5/2000 David
 D424,425 S 5/2000 Ngai
 D426,902 S 6/2000 Hardy et al.
 D433,630 S 11/2000 Lubineau-Bigot et al.
 6,349,820 B1 * 2/2002 Kelley A47J 47/04
 206/223

(56)

References Cited

U.S. PATENT DOCUMENTS

D42,846 S 8/1912 Farrell
 1,162,840 A 12/1915 Wood
 1,588,857 A 6/1926 Sherman
 D71,513 S 11/1926 Austin
 1,620,789 A 3/1927 Urban, Jr.
 1,697,880 A 1/1929 Peter
 1,762,923 A * 6/1930 Fegely B65D 5/5213
 206/761
 D86,128 S 2/1932 Levkoff
 1,871,617 A 8/1932 King
 1,892,092 A 12/1932 Barad
 1,899,547 A 2/1933 Addis et al.
 1,994,159 A 3/1935 Wurzburg
 D95,429 S * 4/1935 James D9/760
 2,522,049 A 9/1950 Lang
 2,541,173 A 2/1951 Moore
 2,597,377 A 5/1952 Robinson
 2,604,980 A 7/1952 Reid
 2,751,135 A 6/1956 Kessler
 2,782,951 A 2/1957 Inman
 2,790,589 A 4/1957 Moore
 3,004,661 A 10/1961 Schumann
 3,126,093 A 3/1964 Bradley et al.
 3,357,543 A 12/1967 Taggart
 3,423,006 A 1/1969 Stedman
 3,494,534 A 2/1970 McFarland et al.
 3,600,871 A 8/1971 Farquhar
 3,660,934 A 5/1972 Pollack et al.
 D242,771 S 12/1976 Papillon
 D244,085 S 4/1977 Giddings et al.
 4,139,096 A * 2/1979 Sieger A01K 97/06
 206/315.11
 D258,938 S 4/1981 Spitzer
 D260,077 S 8/1981 Burns et al.
 1,293,079 A 10/1981 Lytle
 D292,876 S 11/1987 Grunhut
 D292,877 S 11/1987 Grunhut
 4,713,928 A 12/1987 Tisma
 4,757,898 A * 7/1988 Klein B65D 73/0007
 206/459.1
 D307,504 S 4/1990 Silcox
 D315,297 S * 3/1991 Campbell D9/721
 D317,717 S 6/1991 Carol
 D317,718 S 6/1991 Carol
 5,038,940 A * 8/1991 Okabe B65D 5/327
 229/120.011
 5,096,056 A * 3/1992 Garcia A45C 13/02
 206/455
 D327,004 S 6/1992 Nadel
 D329,601 S * 9/1992 Samelson D9/721
 D333,615 S 3/1993 Zutler
 D335,819 S 5/1993 Campbell
 D344,020 S 2/1994 Pavely
 5,375,706 A 12/1994 Perez
 D361,508 S 8/1995 Schnack
 D361,661 S 8/1995 Masuda
 D373,723 S 9/1996 Healey
 5,555,982 A 9/1996 Kuhn et al.

D455,073 S 4/2002 Mizrahi
 D464,568 S 10/2002 Sisinni
 D464,885 S 10/2002 Weinstein et al.
 D468,100 S 1/2003 Bowling
 6,533,166 B1 3/2003 Kaiss
 D477,911 S 8/2003 Stuart
 D492,194 S * 6/2004 Kim D9/757
 D494,862 S 8/2004 Sisinni
 6,923,556 B1 8/2005 Baker, III
 D510,528 S 10/2005 Funk
 D511,681 S 11/2005 Cogley et al.
 D521,733 S 5/2006 Kim
 D522,376 S 6/2006 Hales
 D528,794 S 9/2006 Lanham et al.
 D529,378 S 10/2006 Spencer et al.
 D536,246 S 2/2007 Schneider
 7,264,123 B2 9/2007 Reed
 D553,495 S 10/2007 Vandecasteele et al.
 D568,765 S 5/2008 Miles
 D580,263 S 11/2008 Yi Man
 D584,053 S 1/2009 Abdo et al.
 D596,485 S 7/2009 Andre et al.
 D603,720 S 11/2009 Cesare et al.
 D609,116 S 2/2010 Kim
 7,757,843 B2 7/2010 Katsis
 D621,548 S 8/2010 Chen
 D643,306 S 8/2011 Martinez et al.
 8,006,842 B1 8/2011 Loughlin, Jr. et al.
 D646,984 S 10/2011 Moore et al.
 8,109,389 B1 2/2012 Amer
 D657,284 S 4/2012 Young
 D663,520 S 7/2012 Antler
 D664,312 S 7/2012 Bizzle
 8,272,509 B1 9/2012 McCutchen
 D669,352 S 10/2012 Paslawski
 D670,931 S 11/2012 Tapper
 D670,932 S 11/2012 Tapper
 D673,864 S 1/2013 Read et al.
 D675,539 S 2/2013 Bigliarians
 D682,119 S 5/2013 Buford
 D685,578 S * 7/2013 Pestell D3/294
 D686,065 S 7/2013 Kuo et al.
 D686,491 S 7/2013 Kuo et al.
 D687,321 S 8/2013 Pralus
 D690,554 S 10/2013 Presley
 D691,465 S 10/2013 O'Brien et al.
 D691,900 S 10/2013 Kraus
 D698,639 S 2/2014 Fletcher et al.
 D698,664 S 2/2014 Abbott
 D700,462 S 3/2014 Boos
 D704,550 S 5/2014 Mattila et al.
 D706,627 S 6/2014 Olsson et al.
 D709,305 S 7/2014 Tapper
 D709,306 S 7/2014 Tapper
 D709,364 S 7/2014 Olsson et al.
 D712,176 S 9/2014 Tamilarasan
 D712,748 S 9/2014 Akana et al.
 D713,739 S 9/2014 Akana et al.
 D717,165 S 11/2014 Kwak et al.
 D722,870 S 2/2015 Fohner et al.
 D728,358 S 5/2015 Belamich
 D729,636 S 5/2015 Steinberger
 D730,749 S 6/2015 Young et al.
 D731,323 S 6/2015 O'Neill

(56)

References Cited

U.S. PATENT DOCUMENTS

D731,325 S 6/2015 Loessin
 D733,314 S 6/2015 Lui
 D733,315 S 6/2015 Lui
 D733,317 S 6/2015 Lui
 D733,318 S 6/2015 Lui
 9,061,790 B2 6/2015 Yagishita
 D734,075 S 7/2015 Tapper
 D738,721 S 9/2015 Song et al.
 D741,193 S 10/2015 Lohuis et al.
 D748,280 S 1/2016 Lui
 D754,408 S 4/2016 Garrett et al.
 D755,641 S * 5/2016 O'Neill B65D 77/0413
 D9/721
 D756,560 S 5/2016 Ghiotti et al.
 D756,804 S 5/2016 Gross
 D758,191 S 6/2016 Tu et al.
 D763,104 S 8/2016 Akana et al.
 D763,683 S * 8/2016 O'Neill D9/432
 D763,684 S 8/2016 O'Neill
 D764,911 S 8/2016 Glass et al.
 D768,008 S 10/2016 Akana et al.
 D769,727 S 10/2016 Lohuis et al.
 D769,986 S 10/2016 Timg
 D772,057 S 11/2016 Adams et al.
 D774,388 S 12/2016 Xia
 9,533,791 B2 1/2017 Fath
 D780,569 S 3/2017 Bard et al.
 D780,570 S 3/2017 Bard et al.
 D787,186 S 5/2017 Thurbin
 D787,320 S 5/2017 Gill et al.
 D789,752 S 6/2017 Zmrhal et al.
 D821,087 S 6/2018 Lihotzky et al.
 D824,777 S 8/2018 Arnett, Jr.
 D831,479 S 10/2018 Lylyk
 2002/0108880 A1 8/2002 Krupa et al.
 2006/0266672 A1 11/2006 Young
 2006/0283733 A1 12/2006 Masa
 2007/0095693 A1 5/2007 DeLuca
 2008/0190788 A1 8/2008 Cziraky
 2009/0242455 A1 * 10/2009 Adams B65D 5/4204
 206/575
 2010/0012672 A1 1/2010 Piron
 2010/0187227 A1 7/2010 Wang
 2011/0174166 A1 7/2011 Sparacio et al.
 2012/0168434 A1 7/2012 Alagarda Cervera et al.
 2012/0168443 A1 7/2012 Maness
 2013/0161378 A1 * 6/2013 Nebeker B65D 33/065
 229/116.5
 2013/0240387 A1 * 9/2013 Pugh B65D 85/00
 206/216
 2013/0248531 A1 9/2013 Lane
 2014/0021086 A1 * 1/2014 Roesler B65D 21/0204
 206/558
 2014/0166736 A1 6/2014 Kato
 2014/0312107 A1 10/2014 Nash
 2015/0093509 A1 4/2015 Kennedy et al.
 2015/0232245 A1 8/2015 Fullan
 2015/0321811 A1 11/2015 Yeung
 2016/0009473 A1 1/2016 Korinek et al.
 2016/0046404 A1 * 2/2016 Cheeser B65D 5/48028
 229/120.32
 2016/0185511 A1 6/2016 O'Neill
 2016/0264285 A1 9/2016 Madwar et al.
 2017/0050797 A1 * 2/2017 Farid B65D 85/34
 2017/0076343 A1 3/2017 Bernstein et al.
 2017/0138660 A1 * 5/2017 Huckaby F25D 25/005
 2017/0152092 A1 6/2017 Glass et al.

FOREIGN PATENT DOCUMENTS

IL 51964 10/2013
 JP 1503649 S 7/2014
 JP 1530877 S 8/2015
 JP 1537477 S 11/2015

JP 1541182 S 1/2016
 JP 1562136 S 1/2017
 JP D1600162 3/2017
 KR 30-0377284-0000 3/2005
 KR 30-04151920-0000 6/2007
 TW 099232 5/1988
 TW D119491 10/2007
 TW D186765 S 11/2017

OTHER PUBLICATIONS

MidNite Snax, Signature Sets, http://midnitesnax.com/home_page_files/view/1265/file.pdf (Jun. 29, 2017).
 Sweet Pete's, Build-a-Candy-Cube-Box, <https://www.sweetpetescandy.com/collections/build-a-candy-cube-box> (Jun. 29, 2017).
 Sweet Pete's, Pete's Picks Collection, www.sweetpetescandy.com:80/collections/boxes (Mar. 23, 2016).
 Sweitzer Candy Shop, Gifts, <https://sweitzercandy.com/index.php/gift-boxes.html> (Jun. 29, 2017).
 Sugarfina, Design Your Own Bento, www.sugarima.com/shop/gift-shop/gift-type/design-your-own-bento (Jun. 29, 2017).
 Sugarfina, Custom Catalogue, <https://issuu.com/sugarfina/docs/2017-corporatecatalog-ppai-webversi> (Jun. 29, 2017).
 Teapressa, Tea + Cube, available at <https://teapressa.com/collections/gifts/products/tea-cube> (Jun. 29, 2017).
 Sugarfina Partners With Sanrio to Create the Cutest Hello Kitty Candy on the Planet. [online] Published Sep. 17, 2017. Retrieved Nov. 20, 2017 from URL: <https://www.popsugar.com/food/gallery/44018877/image/44018885/Sugarfinas-Pop-Up-Candy-Bento-Box-30>.
 Rigid Set-up Box, Wine and Champagne Chocolate Leather Gift Box, Faux Leather, Dark Brown, Qty/CASE-6. [online] Retrieved Nov. 22, 2017 from URL: <https://www.aspecialtybox.com/RG00F-00493-C>.
 House Drawer Gift Box/CMXSSGB-10. [online] Retrieved Nov. 22, 2017 from URL: <http://www.charmpackaging.com/special-shape-gift-box/house-drawer-gift-box-cmxssgb-010.html>.
 Bouquet Bar 3 Piece Box Photo—Instagram—<https://www.instagram.com/p/BPs-h6rBWic/?taken-by=thebouquetbar>; Jan. 25, 2017, 1 page.
 Bouquet Bar 6 Piece Box Photo—"It's Time to Ditch the Red Roses: Six Better Ways to Give Your Valentine Flowers," People Home & Travel; Jan. 31, 2017, 10 pages.
 Bouquet Bar 6 Piece Photo—Instagram—<https://www.instagram.com/p/BP-9112hV9Q/?taken-by=thebouquetbar>; Feb. 1, 2017, 1 page.
 Chocomize 2 Piece Box—<https://www.chocomize.com/candy-cubes-2pack.html>; Oct. 16, 2017, 4 pages.
 Chocomize 3 Piece Box Photo—Facebook—<https://www.facebook.com/Chocomize/photos/a.423529781180.220124.176532311180/10154561729211181/?type=3&theater>; Nov. 11, 2016, 1 page.
 Chocomize 6 Piece Box—<https://www.chocomize.com/candy-cube-6pcs-box.html>; Oct. 16, 2017, 3 pages.
 Chocomize 9 Piece Box Photo—Instagram—<https://www.instagram.com/p/BI5r4s6BLH7/?taken-by=chocomize>; Aug. 9, 2016, 1 page.
 Chocomize 9 Piece Box Photo—Instagram—<https://www.instagram.com/p/BMpjEEUhpqV/?taken-by=chocomize>; Nov. 10, 2016, 1 page.
 Chocomize 9 Piece Box Photo—Instagram—<https://www.instagram.com/p/BMrp0YdhQeU/?taken-by=chocomize>; Nov. 11, 2016, 1 page.
 Cubetas 2 Piece and 3 Piece Box Photo—Instagram—<https://www.instagram.com/p/BMyWwq0BQoH/?taken-by=cubetas.2016>; Nov. 14, 2016, 1 page.
 Cubetas 2 Piece and 3 Piece Box Photo—Instagram—<https://www.instagram.com/p/BNtkhJpBzYm/?taken-by=cubetas.2016>; Dec. 7, 2016, 1 page.
 Cubetas 2 Piece Box Photo—Instagram—<https://www.instagram.com/p/BMQ9Bjihqyz/?taken-by=cubetas.2016>; Nov. 1, 2016, 1 page.
 Cubetas 3 Piece Box Photo—Instagram—<https://www.instagram.com/p/BPrxqTThloh/?taken-by=cubetas.2016>; Jan. 25, 2017, 1 page.
 Foxes Events 6 Piece Box Photo—Instagram—<https://www.instagram.com/p/BQVMWj7jZke/?taken-by=foxesevents&hl=en>; Feb. 10, 2017, 1 page.
 Idea Stage 2 Piece Box—<https://www.ideastage.com/Cube-Shaped-Candy-Set-965458328>; Oct. 13, 2017, 2 pages.

(56)

References Cited

OTHER PUBLICATIONS

Sugarwish 2 Piece and 4 Piece Boxes—<https://web.archive.org/web/20151201071311/https://sugarwish.com/choose-a-sugarwish/>; Dec. 1, 2015, 1 page.

Sweet Lounge 2 Piece Box—<https://www.sweetlounge.co.uk/lounge-box-hello-spring-collection-for-vegans/>; Oct. 16, 2017, 6 pages.

Sweet Lounge 3 Piece and 4 Piece Box Photo—Instagram—https://www.instagram.com/p/BM_eHn6g8ly/?taken-by=sweetloungeuk; Nov. 19, 2016, 1 page.

Sweet Lounge 3 Piece and 4 Piece Box Photo—Instagram—https://www.instagram.com/p/BMY_iidAMwX/?taken-by=sweetloungeuk; Nov. 4, 2016, 1 page.

Sweet Lounge 4 Piece Box—Instagram—<https://www.instagram.com/p/BNMnfaJgwOo/?taken-by=sweetloungeuk>; Nov. 24, 2016, 1 page.

Sweet Lounge 4 Piece Box—<https://www.sweetlounge.co.uk/lounge-box-hello-spring-collection/>; Oct. 16, 2017, 7 pages.

Sweet Lounge 4 Piece Box Video Snapshots—Facebook—<https://www.facebook.com/sweetloungeuk/videos/vb.670728213008752/118828557919679/?type=2&theater>; Nov. 16, 2016, 6 pages.

Sweet Pete's 8 Piece Box—www.sweetpetescandy.com/collections/create-a-box; Nov. 18, 2016, 2 pages.

Sweitzer Candy 3 Piece Box Photo—Instagram—<https://www.instagram.com/p/440XveluqO/?taken-by=sweitzercandy>; Jul. 8, 2015, 1 page.

Sweitzer Candy 4 Piece Box Photo—Instagram—<https://www.instagram.com/p/440XveluqO/?taken-by=sweitzercandy>; Apr. 16, 2015, 1 page.

Sweitzer Candy 8 Piece Box Photo—Instagram—<https://www.instagram.com/p/wLDm8Olujs/?taken-by=sweitzercandy>; Dec. 4, 2014, 1 page.

Webb Company 2 Piece Box Photo—Facebook—<https://www.facebook.com/webbcollection/photos/a.376918812240.156708.376836382240/10154628557212241/?type=3&theater>; Oct. 18, 2016, 1 page.

Webb Company 4 Piece Box—<https://www.facebook.com/webbcollection/photos/a.376918812240.156708.376836382240/10154602255037241/?type=3&theater>; Oct. 11, 2016, 1 page.

Weeny Beeny 3 Piece Box Photo—Facebook—<https://www.facebook.com/weenybeeny123/>; Jan. 31, 2017, 1 page.

Weeny Beeny 4 Piece Box Photo—Facebook—<https://www.facebook.com/weenybeeny123/>; Jan. 31, 2017, 1 page.

Bonbonist Box Photo—Facebook—<https://www.facebook.com/thebonbonist/photos/a.1493876617357861.1073741829.1290401221038736/1493876580691198/?type=3&theater>; Oct. 1, 2017, 1 page.

Bonbonist—<https://thebonbonist.com/>; Oct. 18, 2017, 4 pages.

Sweitzer Candy Gift Box 8, available Feb. 21, 2015, [online], [site visited Aug. 2, 2017]. Available from internet, <URL:<https://web.archive.org/web/20150221225755/https://sweitzercandy.com/index.php/gift-boxes.html>>, 2 pages.

Sweitzer Candy Gift Box 4, available Feb. 21, 2015, [online], [site visited Aug. 2, 2017]. Available from internet, <URL:<https://web.archive.org/web/20150221225755/https://sweitzercandy.com/index.php/gift-boxes.html>>, 2 pages.

"A Taste of Paradise," Collection by Sugarfina, available Aug. 2, 2017, [online], [site visited Aug. 2, 2017]. Available from internet, <URL:<https://www.sugarfina.com>>, 1 page.

Cubetas, [online], [site visited Aug. 16, 2017]. Available from internet, <URL:<http://cubetas.jp/>>, 19 pages.

International Search Report and Written Opinion for International Application No. PCT/US2017/057660 dated Jan. 25, 2018, 8 pages.

Sugarfina Representative Twitter posts; <https://twitter.com/sugarfina>; 8 pages.

Sugarfina Representative Facebook posts; <https://www.facebook.com/Sugarfina/>; 25 pages.

Sugarfina Representative Instagram posts; <https://www.instagram.com/sugarfina/?hl=en>; 40 pages.

Sugarfina: Sampling the Sweets—York Avenue; <https://yorkavenueblog.com/sugarfina-sampling-sweets/>; Sep. 8, 2014; 7 pages.

Sugarfina—Candy Happiness!; <http://luluandlattes.com/2013/06/27/sugarfina-candy-happiness/>; Jun. 27, 2013; 11 pages.

Kasey's Kitchen: Kasey's Favorite Thing #20: Sugarfina; <http://kaseyskitchentv.blogspot.com/2013/12/kaseys-favorite-thing-20-sugarfina.html>; Dec. 17, 2013; 3 pages.

Jonathan Adler Sugarfina Bento Boxes_InStyle.com; <http://www.instyle.com/lifestyle/news/sugarfina-loves-jonathan-adler-collection>; Apr. 11, 2016; 2 pages.

Fancy candy brand selects fancier Dallas destination for Texas debut; <http://dallas.culturemap.com/news/restaurants-bars/10-29-15-sugarfina-highland-park-village-market-candy/>; Oct. 29, 2015; 4 pages.

Emiiichan Blog_Sugarfina candy order; <https://emiichan.blogspot.com/2014/11/sugarfina-candy-order.html>; Nov. 21, 2014, 18 pages.

Drool Worthy Sweets in Cute Packaging Beckon at Sugarfina Candy Shop; <http://www.7x7.com/drool-worthy-sweets-in-cute-packaging-beckon-at-sugarfina-candy-shop-1787196138.html>; Jul. 15, 2015; 4 pages.

Candy Critic:Boxes and Boxes of Gummies From Sugarfina; <http://candy-critic.blogspot.com/2013/05/boxes-and-boxes-of-gummies-from.html>; May 2, 2013; 2 pages.

Sugarfina Part I—Foodette Reviews; <http://foodettereviews.com/?p=24>; Sep. 10, 2013; 7 pages.

Rebecca's Delights: Sugarfina Gourmet Candy—Author Rebecca Kelsey Sampson; <http://rebeccakelsey.com/2012/11/rebeccas-delights-sugarfina-gourmet-candy>; Nov. 12, 2012; 6 pages.

Sugar & Charm // Sugarfina—Mary Costa Photography; <http://marycostaphotography.com/sugar-charm-sugarfina/>; Apr. 22, 2014; 24 pages.

Treat yourself: SUGARFINA!_Twinkie Chan Blog; <http://blog.twinkiechan.com/2012/09/20/treat-yourself-sugarfina/>; Sep. 20, 2012; 13 pages.

Sugarfina << MDH Mark D Hogan; <https://markdhogan.wordpress.com/tag/sugarfina/>; Aug. 29, 2013; 7 pages.

Sugarfina (Beverly Hills, CA) • The Episodic Eater; <https://www.theepisodiceater.com/sugarfina-beverly-hills-ca/>; unknown date; 29 pages.

Sugarfina—A Unique Candy Boutique at The Americana; <http://www.realmomofsfv.com/2014/06/18/sugarfina-a-unique-candy-boutique-at-the-americana/>; Jun. 18, 2014; 28 pages.

Sugarfina—Thrillist LA; <https://www.thrillist.com/eat/los-angeles/we-fed-a-kid-absinthe-candy-here-s-what-happened-thrillist-la>; Dec. 16, 2013; 35 pages.

A Sweet Evening at Sugarfina—SavvySleepers; <https://www.savvysleepers.com/blogs/the-benefits-of-satin/44181636-a-sweet-evening-at-sugarfina>; Aug. 31, 2015; 7 pages.

Sugarfina: The Chocolates—Candy Blog; http://www.candyblog.net/blog/item/sugarfina_the_chocolates; Jul. 16, 2013; 11 pages.

Sugarfina Beverly Hills & Trio of Goodies—Candy Blog; http://www.candyblog.net/blog/item/sugarfina_trio_of_goodies; Dec. 16, 2013; 11 pages.

Sugarfina: The Gummies—Candy Blog; http://www.candyblog.net/blog/item/sugarfina_the_gummies; Jul. 10, 2013; 11 pages.

NYC Guide: Sugarfina—York Avenue; <https://yorkavenueblog.com/nyc-guide-sugarfina/>; Oct. 26, 2015; 74 pages.

Talking Shop: Sugarfina—Sugar Paper; <https://sugarpaper.com/blogs/news/87503553-talking-shop-sugarfina>; Feb. 11, 2016; 13 pages.

A Candy Emporium for Adults; <https://www.entrepreneur.com/article/236286>; Aug. 25, 2014; 10 pages.

10 fanciest candies from Sugarfina's New York shop—NY; <http://www.nydailynews.com/life-style/eats/10-fanciest-candies-sugarfina-new-york-shop-article-1.2407237>; Oct. 22, 2015; 9 pages.

People Freaked Out So Hard Trying to Get Rosé Gummy Bears that They Crashed the Website; <https://www.forbes.com/sites/meghancasserly/2013/04/09/sugarfina-facebook-candy-shop-outerspace/#78cb39dd6e74>; Jun. 29, 2016; 14 pages.

Sugarfina: One Candy-Coated Startup's Plans for a Lucrative Exit—But First A Trip To Space; <https://www.forbes.com/sites/meghancasserly/2013/04/09/sugarfina-facebook-candy-shop-outerspace/#78cb39dd6e74>; Apr. 9, 2013; 6 pages.

(56)

References Cited

OTHER PUBLICATIONS

Luxurious One-of-a-Kind Candy Shop Tour With Sugarfina—Best Friends for Frosting; <https://bestfriendsforfrosting.com/2015/11/luxurious-one-kind-candy-sugarfina/>; Nov. 17, 2015; 16 pages.

Sugarfina Launches—Atlanta’s Lenox Square Just Got Sweeter!; <http://www.momsmagicalmiles.com/sugarfina-launches-atlantas-lenox/>; Nov. 6, 2015; 15 pages.

Whispering Angel Rosé-Infused Gummy Bears are Summer’s Hottest Sweet—The Glamorous Gourmet; <https://theglamorousgourmet.com/whispering-angel-rose-gummy-bears-summer-hottest-sweet/>; Jul. 31, 2016; 13 pages.

Sugar Fix: Sugarfina Pasadena; <https://studiodiy.com/2015/07/21/sugar-fix-sugarfina-pasadena/>; Jul. 21, 2015; 15 pages.

Rosie O’Neill of Sugarfina—The Everygirl; <http://theeverygirl.com/rosie-oneill-of-sugarfina/>; May 18, 2014; 27 pages.

Translation of Office Action and Search Report for Taiwan Design Patent Application No. 106306912 dated Jun. 12, 2018; 3 pages.

Alto Nivel, Top 10 de Chocolates Gourmet de Lujo (Jun. 26, 2011) (available at <https://www.altonivel.com.mx/estilo-de-vida/top-10-de-chocolates-gourmet-de-lujo/>), 13 pages.

Alto Nivel, Top 10 de Chocolates Gourmet de Lujo (Jun. 26, 2011) (available at <https://www.altonivel.com.mx/estilo-de-vida/top-10-de-chocolates-gourmet-de-lujo/>), machine translation, 12 pages.

MAGMA Google Group, “Sweet” (Mar. 11, 2011) (available at https://groups.google.com/forum/print/msg/magma-massar/sUT3yoay0mE/5gOUk5AKMzQJ?ctz=4721738_76_76_104100_72_446760), 11 pages.

Yelp photo uploaded by Adam D. on Mar. 8, 2014 (available at https://www.yelp.com/biz_photos/mariebelle-new-york-3?select=ggKtO2Mx-jLH82WREkN7iA), 1 page.

Yelp photo uploaded by Farhana S. on May 25, 2015 (available at https://www.yelp.com/biz_photos/mariebelle-new-york-3?select=bewjIhJxzOfxHTN2m0-Ghg), 1 page.

Yelp photo uploaded by Amy K. on Feb. 20, 2016 (available at https://www.yelp.com/biz_photos/mariebelle-new-york-3?select=aSrM2Gu_DuexeX67uD4p9Q), 1 page.

Yelp photo uploaded by Adrienne D. on Nov. 8, 2016 (available at https://www.yelp.com/biz_photos/mariebelle-new-york-3?select=tEA9kZR4JsKFdBSu8uSIIQ), 1 page.

Yelp photo uploaded by Dani V. on Jan. 4, 2007 (available at https://www.yelp.com/biz_photos/mariebelle-new-york-3?select=5MkHMGtiRD-hWFLhdHlvKg), 1 page.

Banat-Style.com, Mar. 1, 2010 (available at <http://forums.banat-style.com/arabgirlsffashion143108/>), 46 pages.

Mariebelle.com archived webpage (available at <https://web.archive.org/web/20070624034428/http://www.mariebelle.com/category.cfm?showCategoryID=12>), purported by the Internet Archive WayBack Machine to have been publicly available Jun. 24, 2007, 1 page.

* cited by examiner

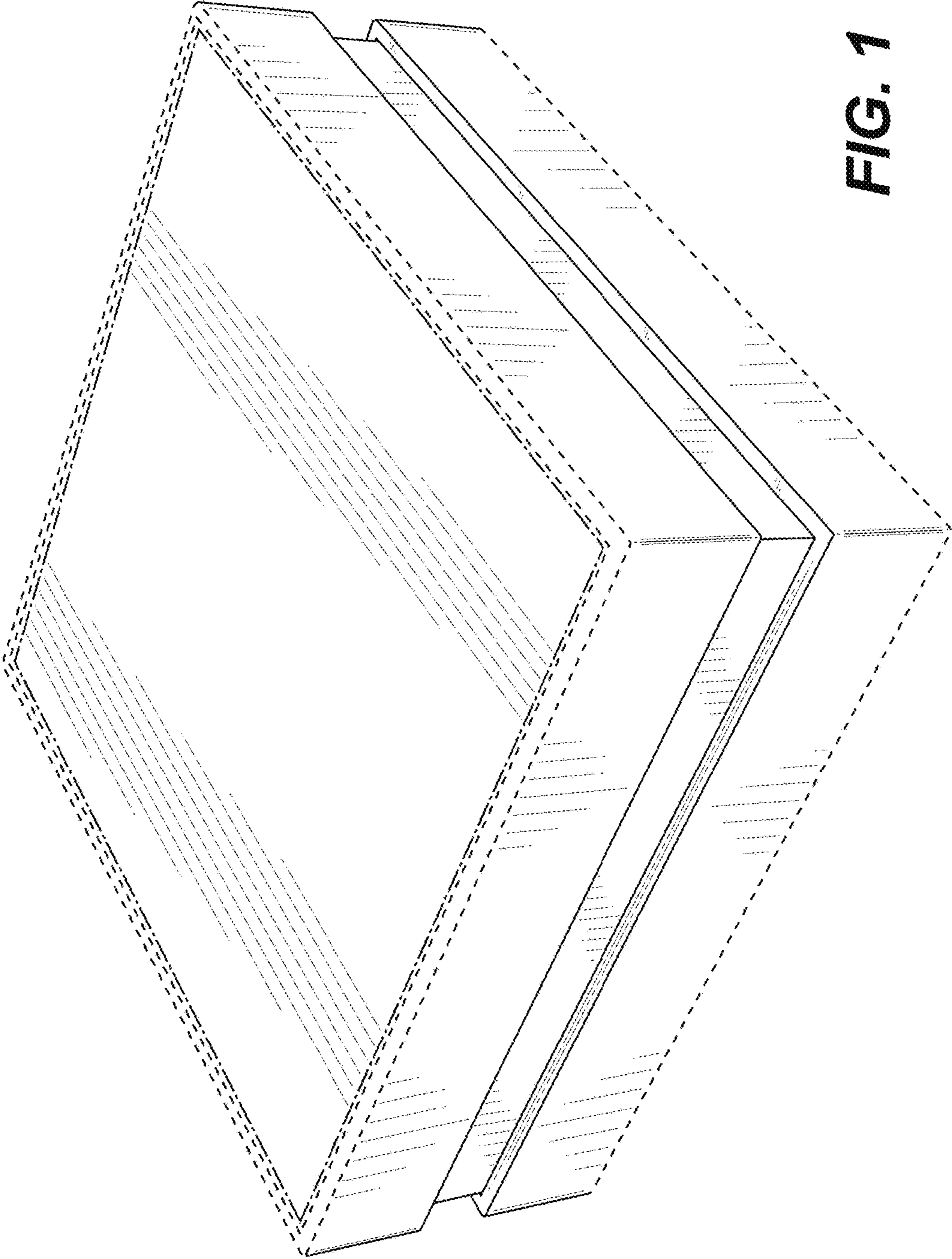


FIG. 1

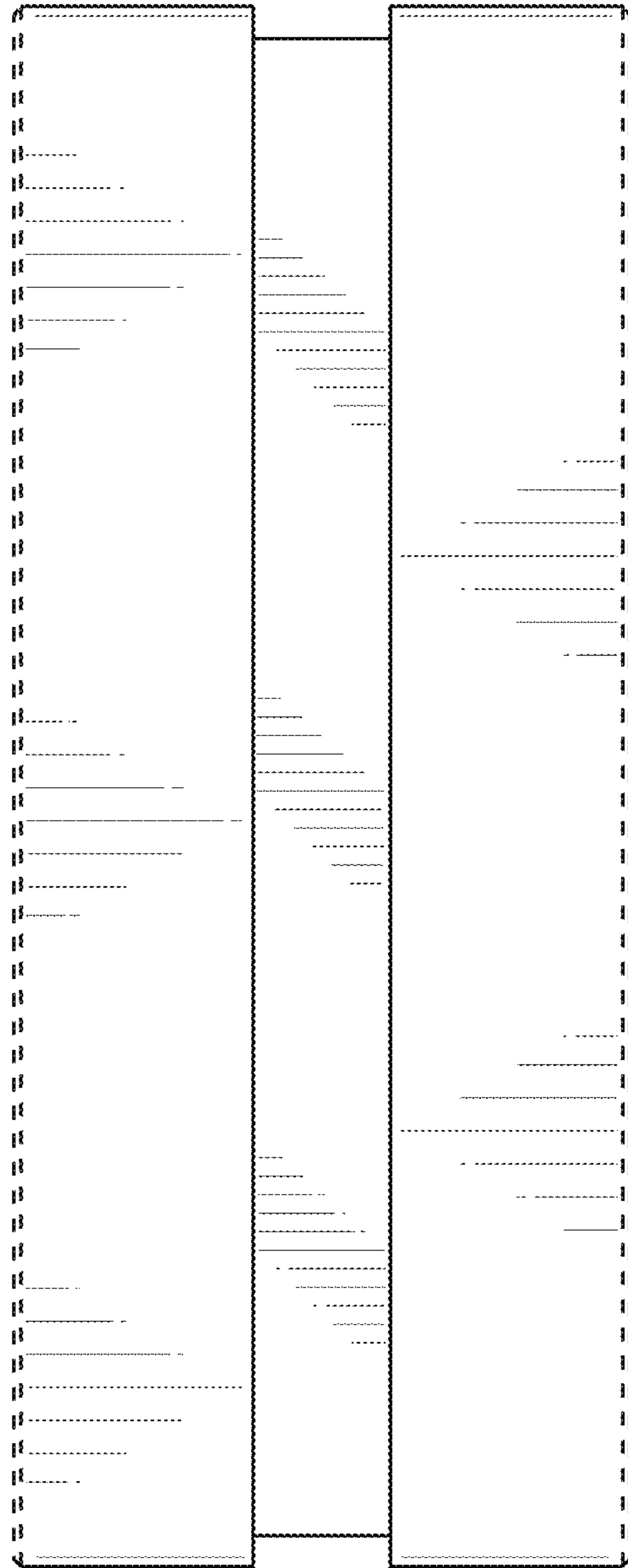


FIG. 2

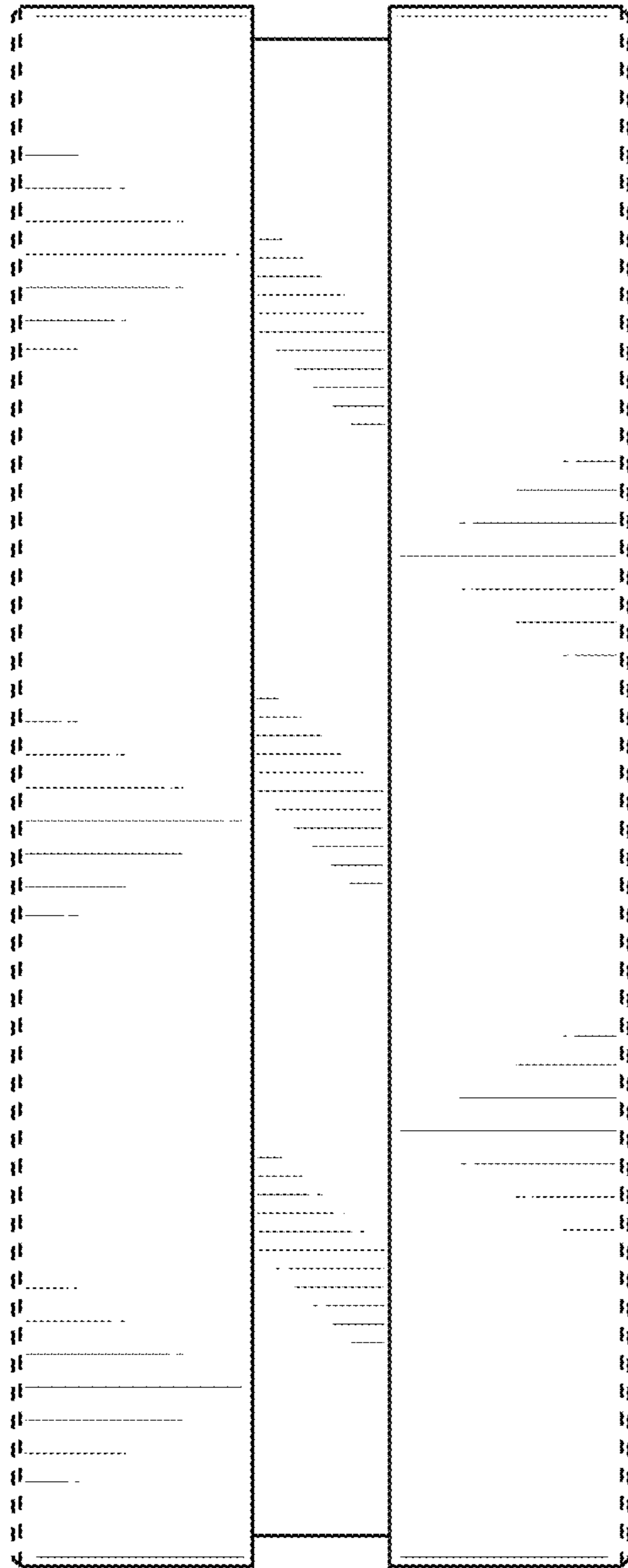


FIG. 3

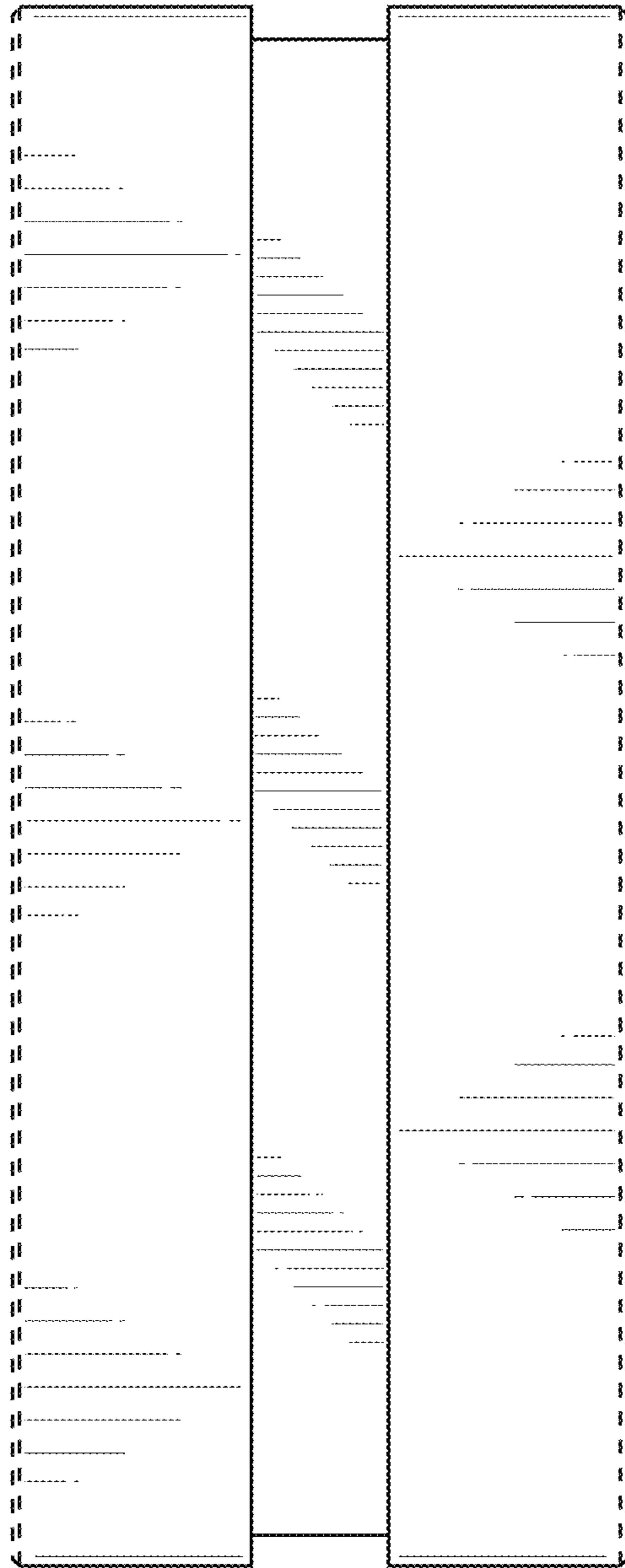


FIG. 4

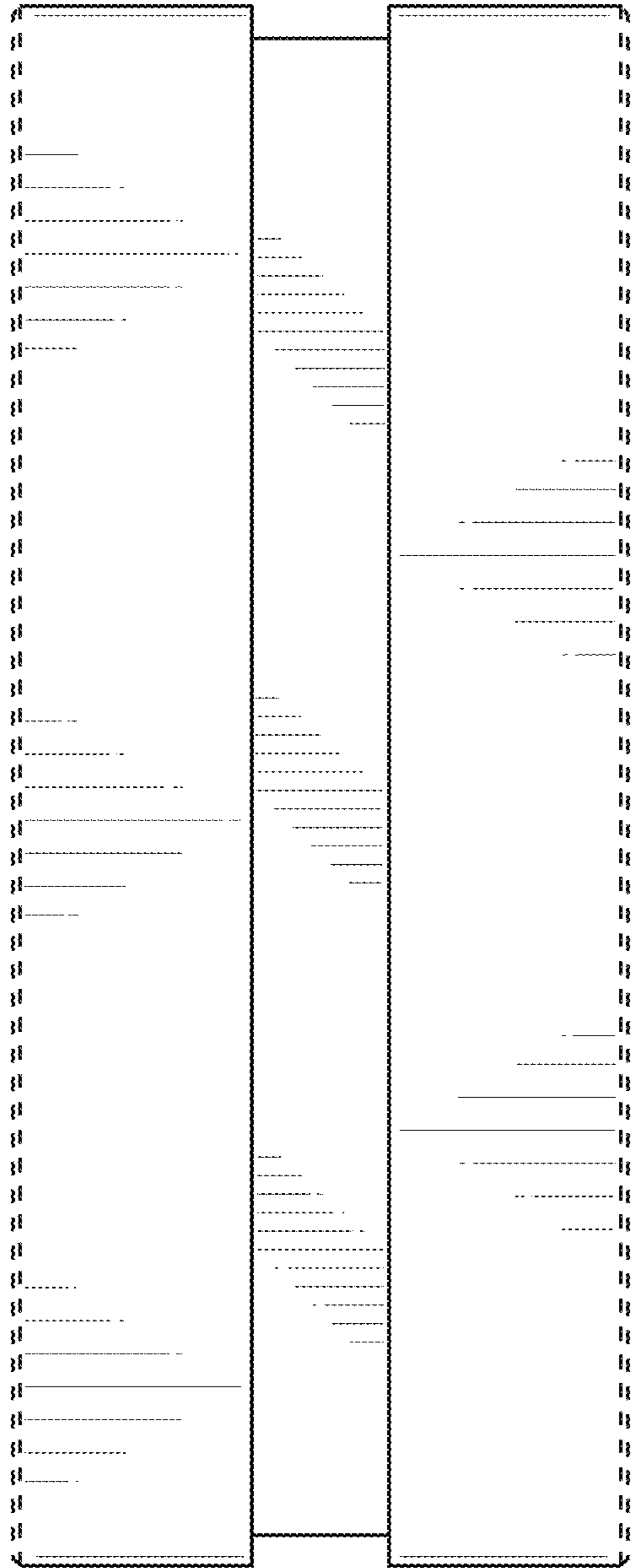


FIG. 5

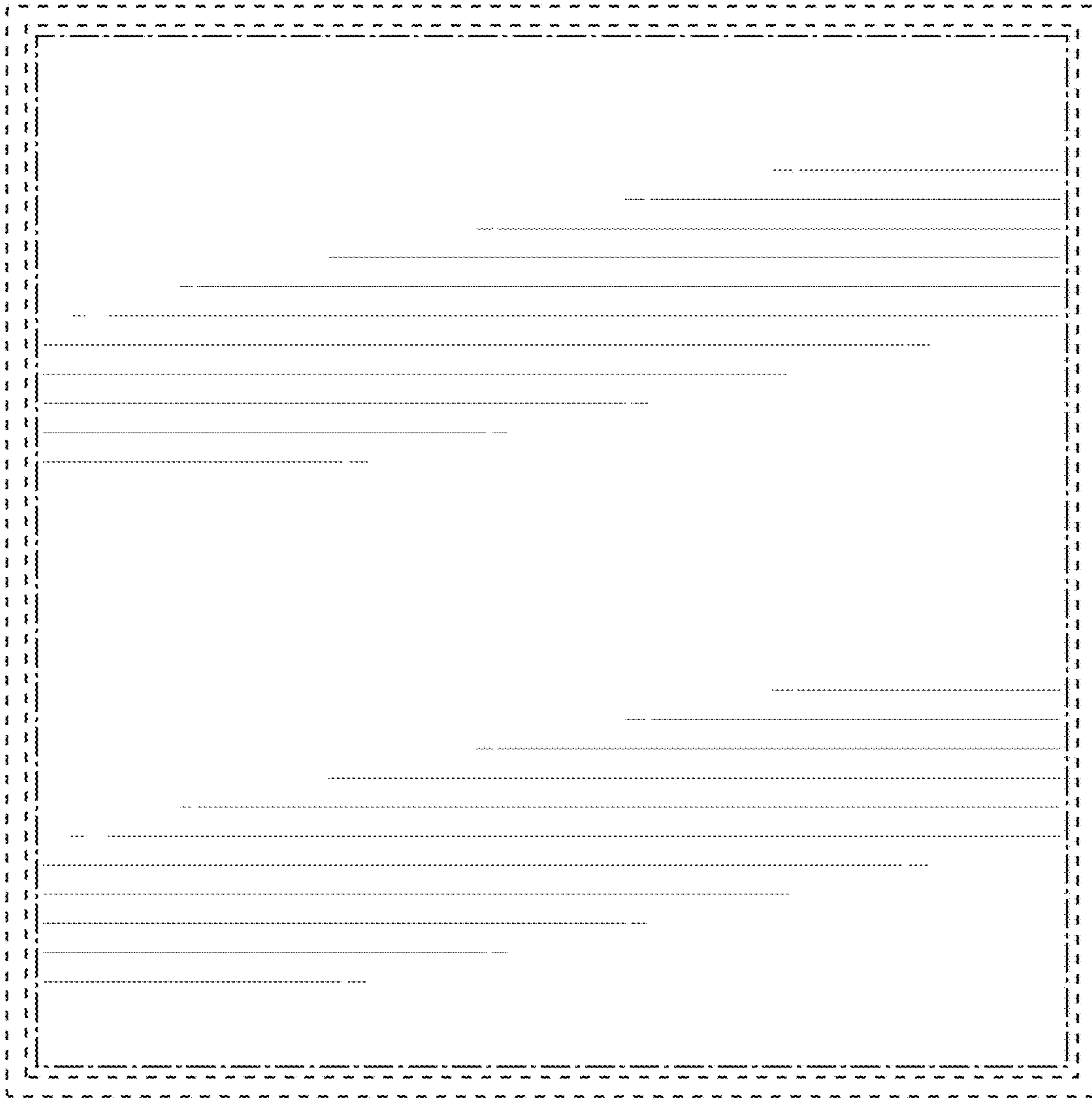


FIG. 6

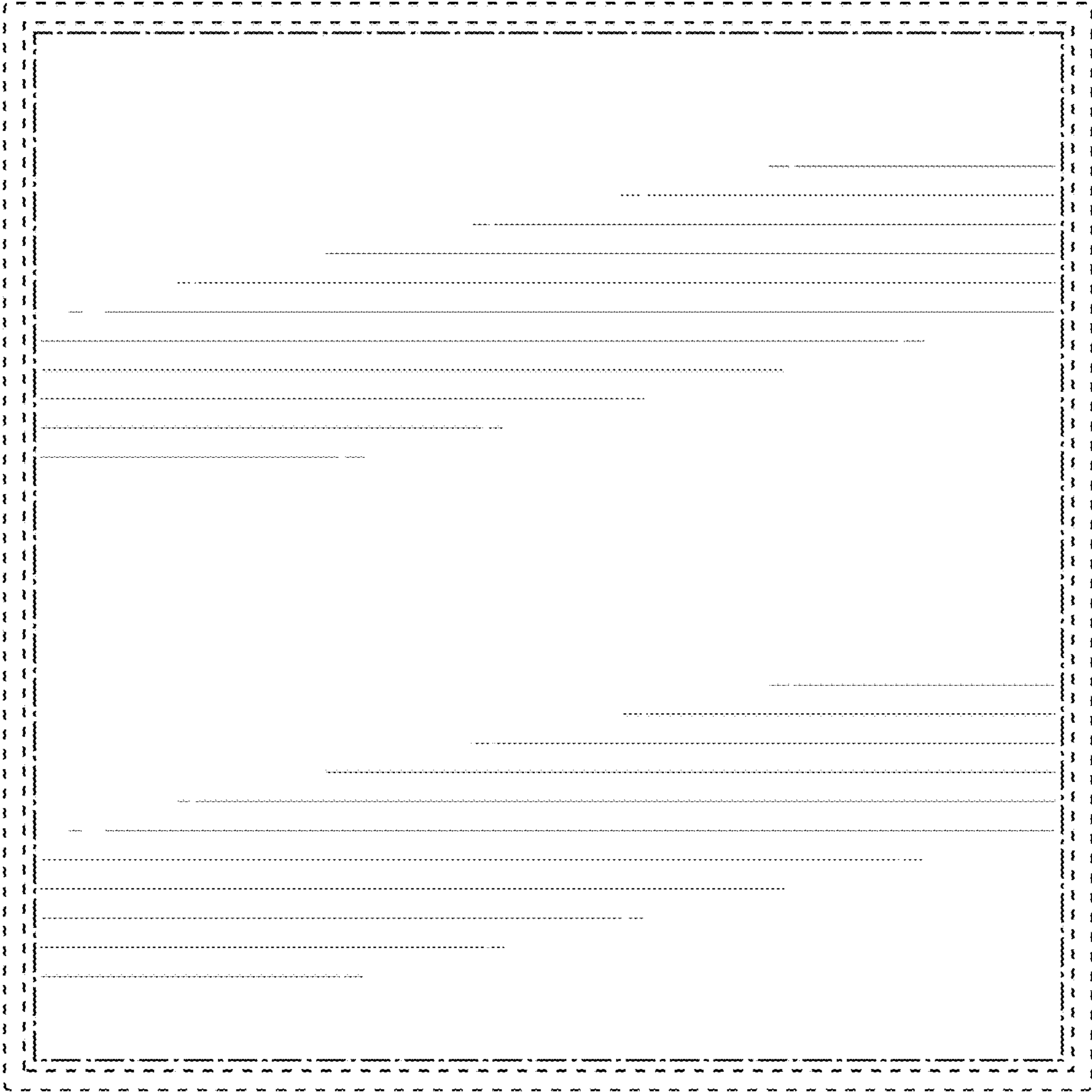


FIG. 7

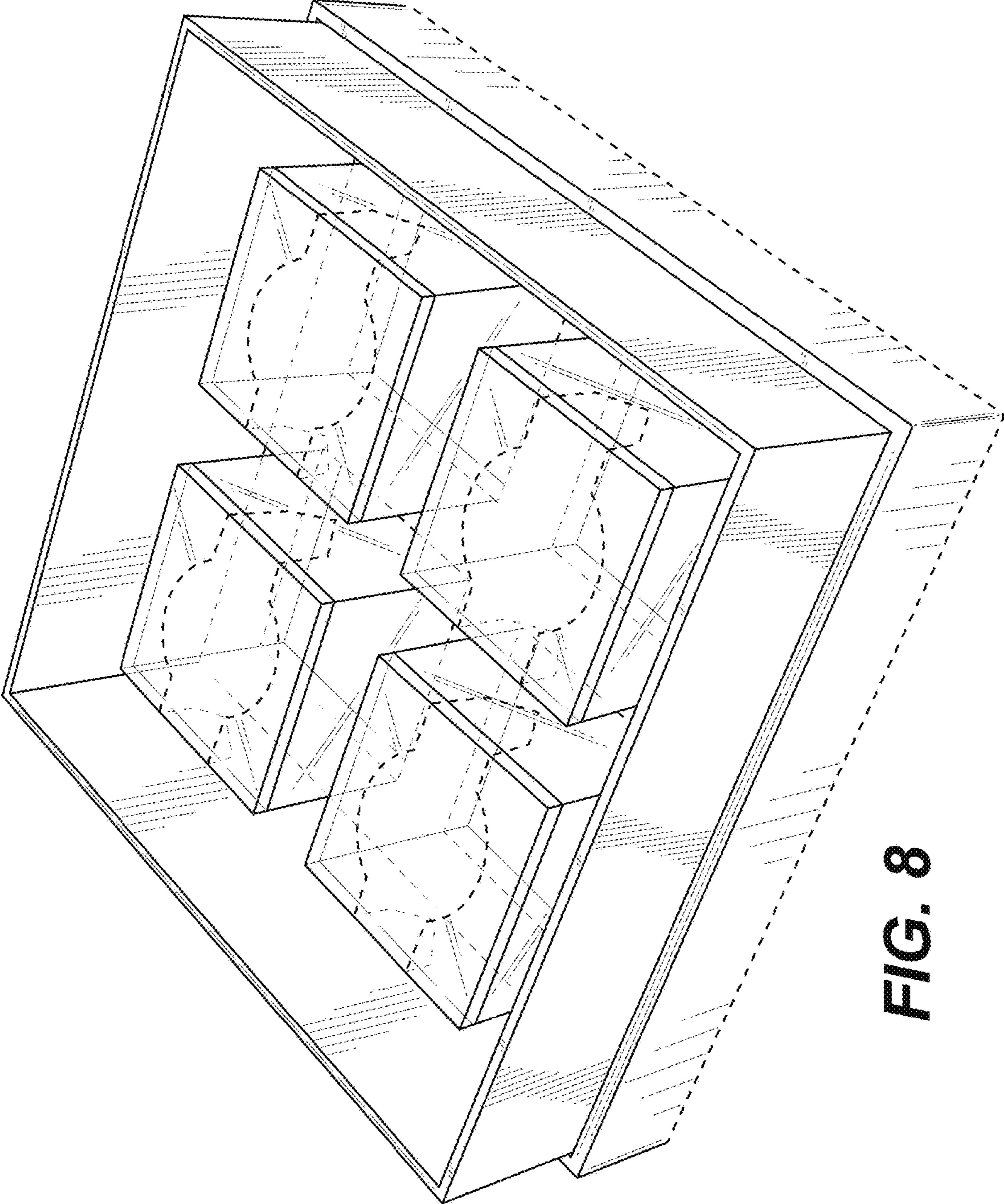


FIG. 8

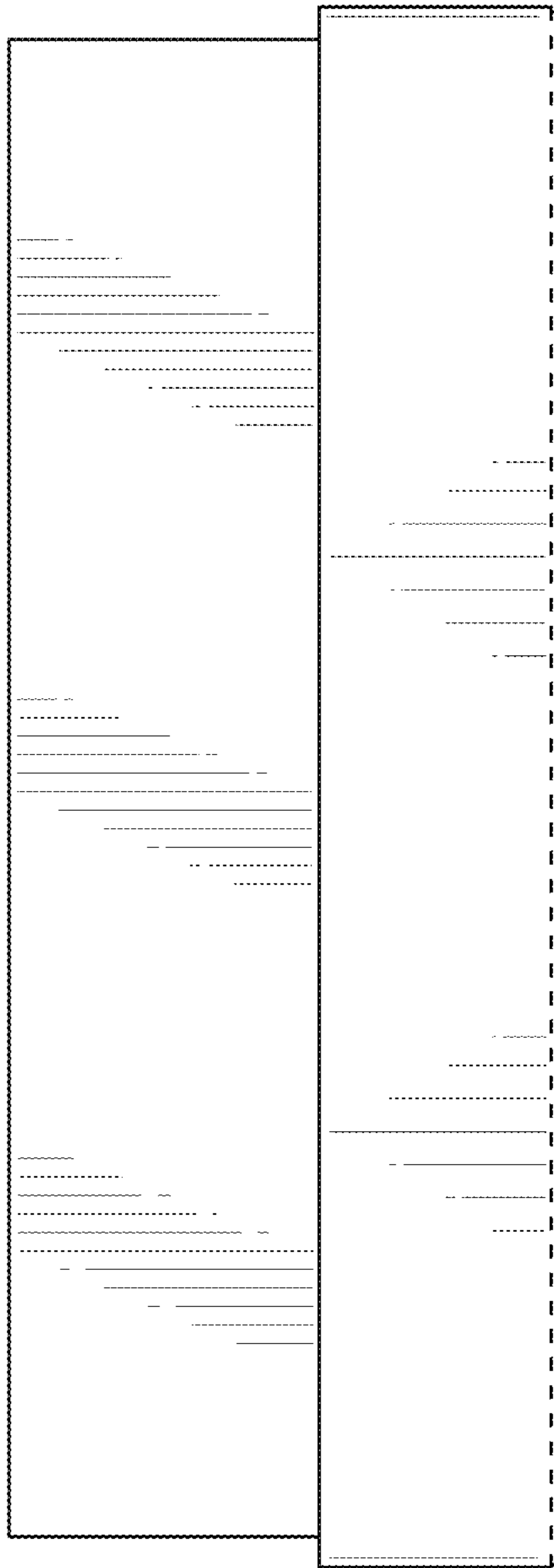


FIG. 9

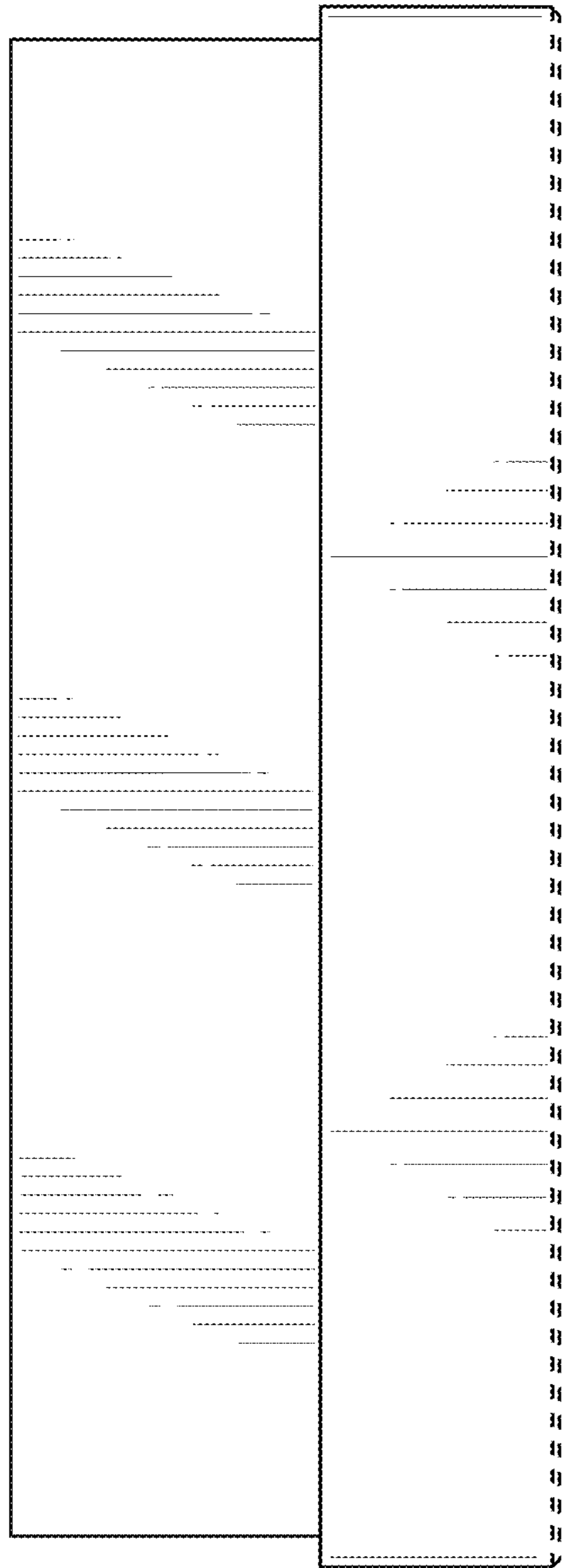


FIG. 10

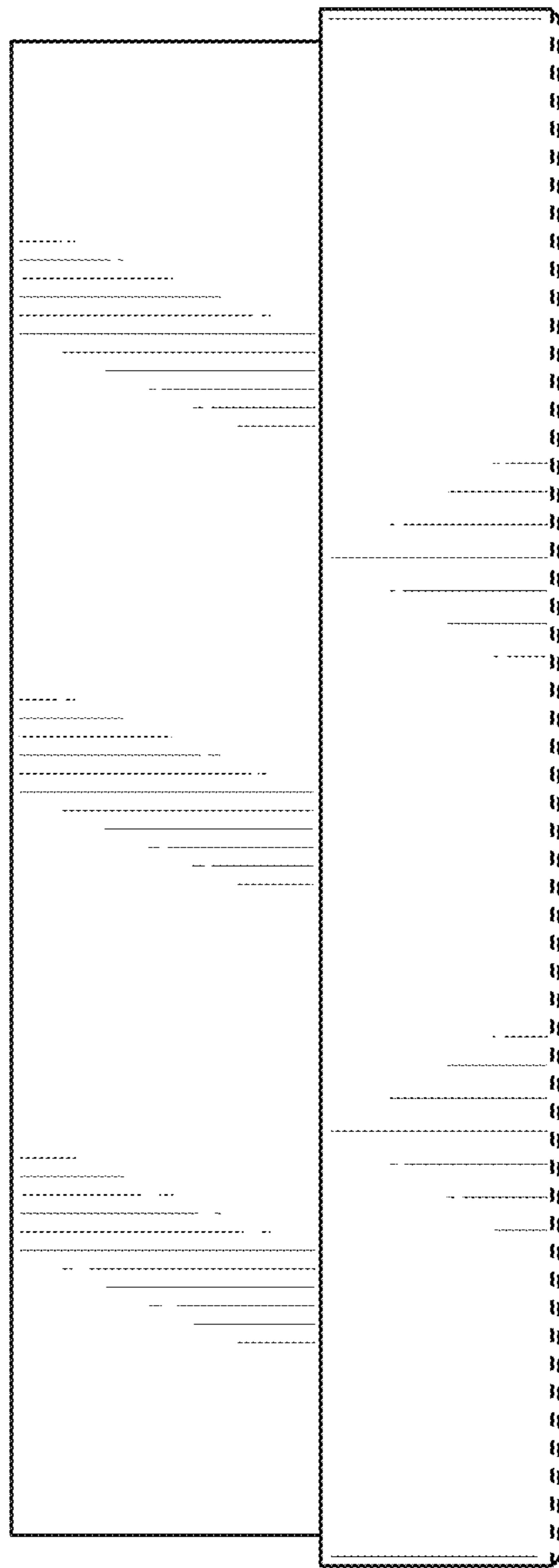


FIG. 11

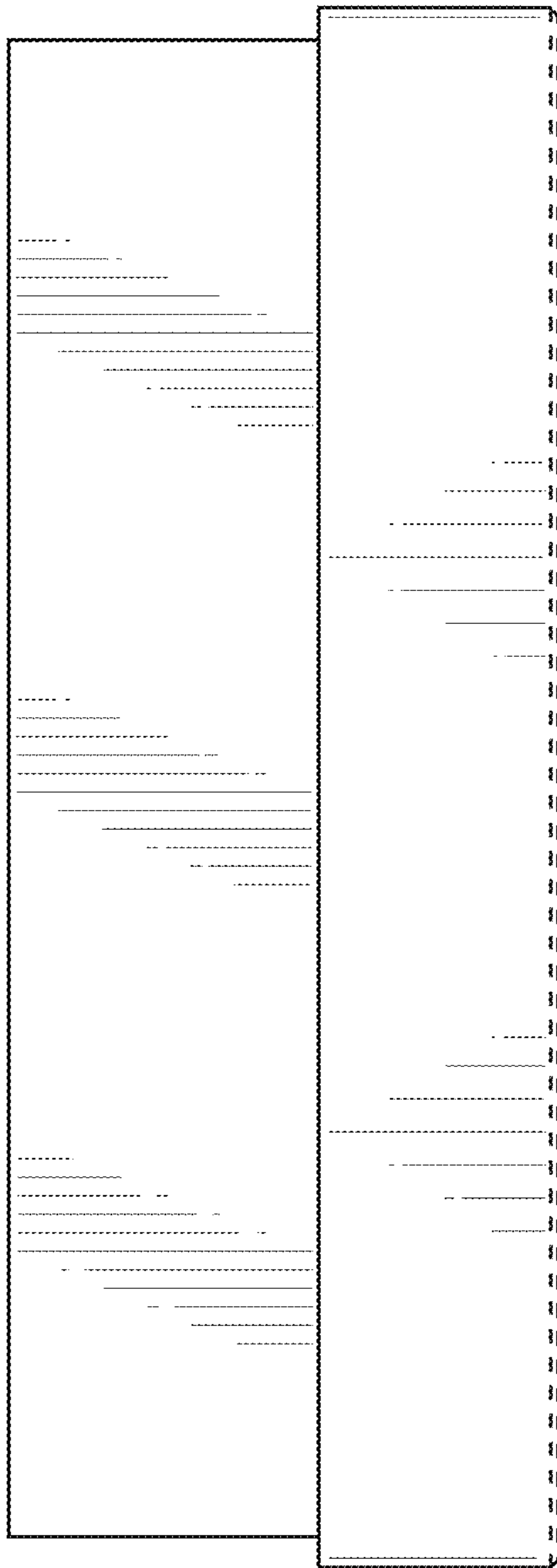


FIG. 12

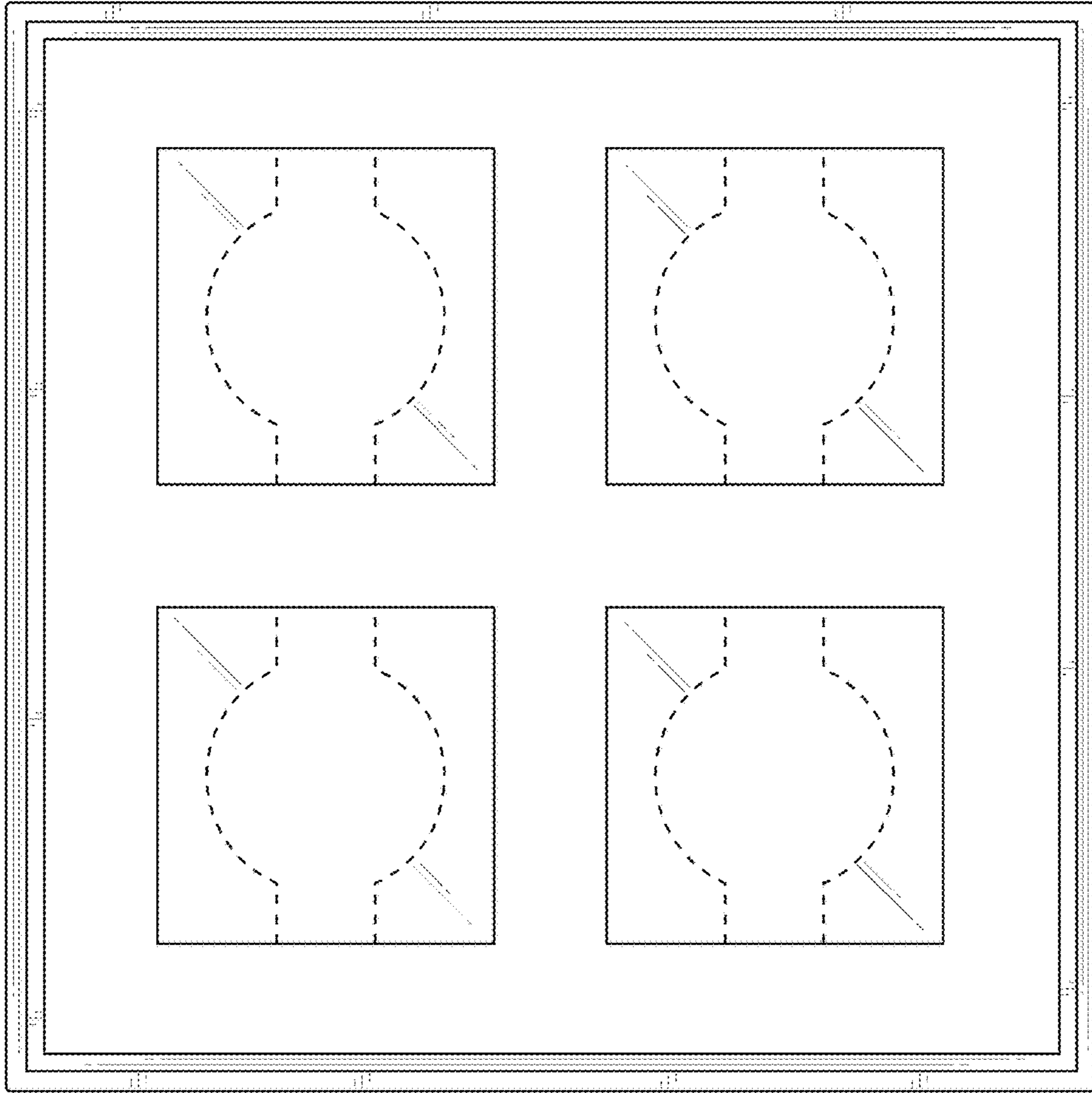


FIG. 13

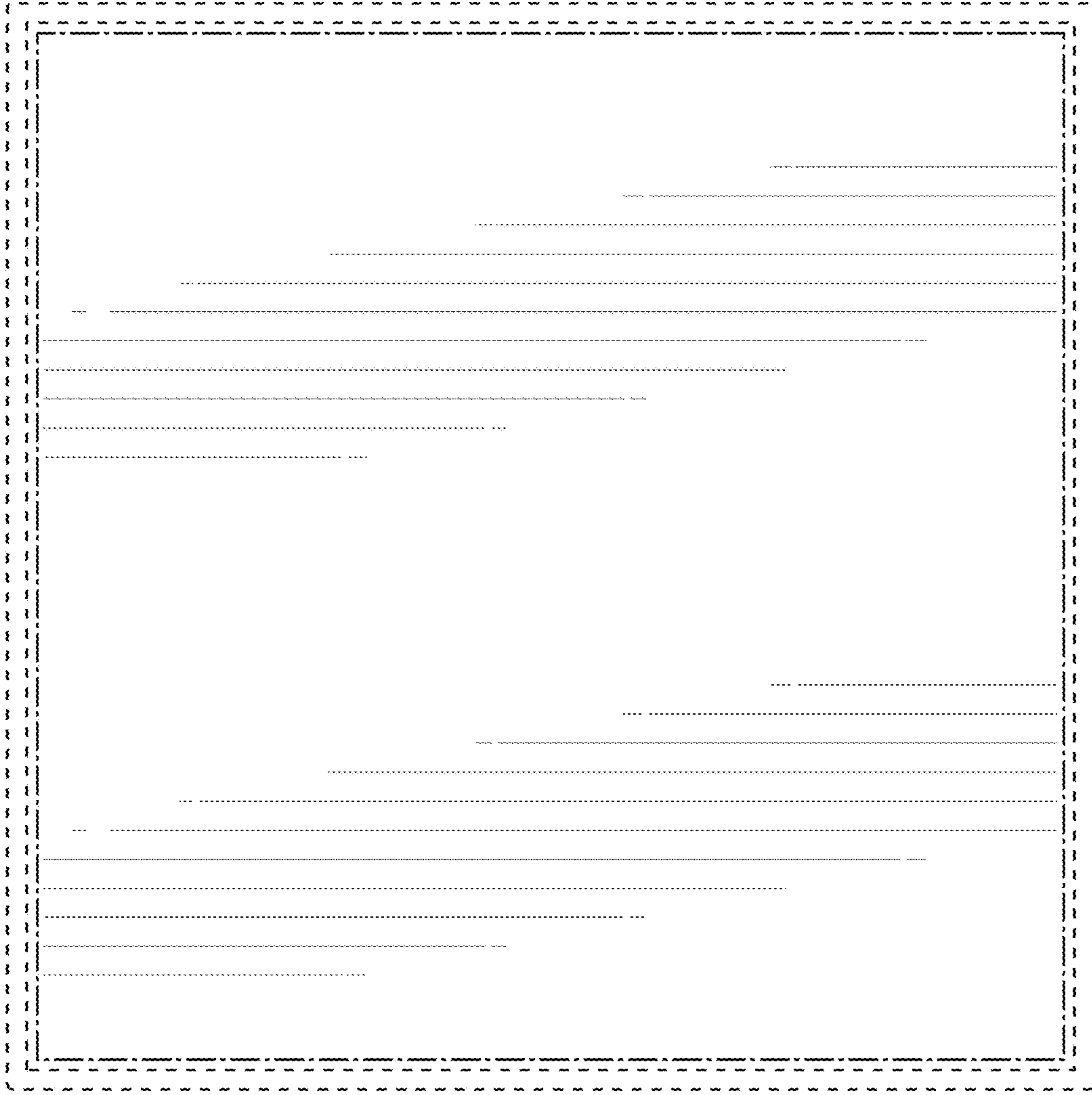


FIG. 14

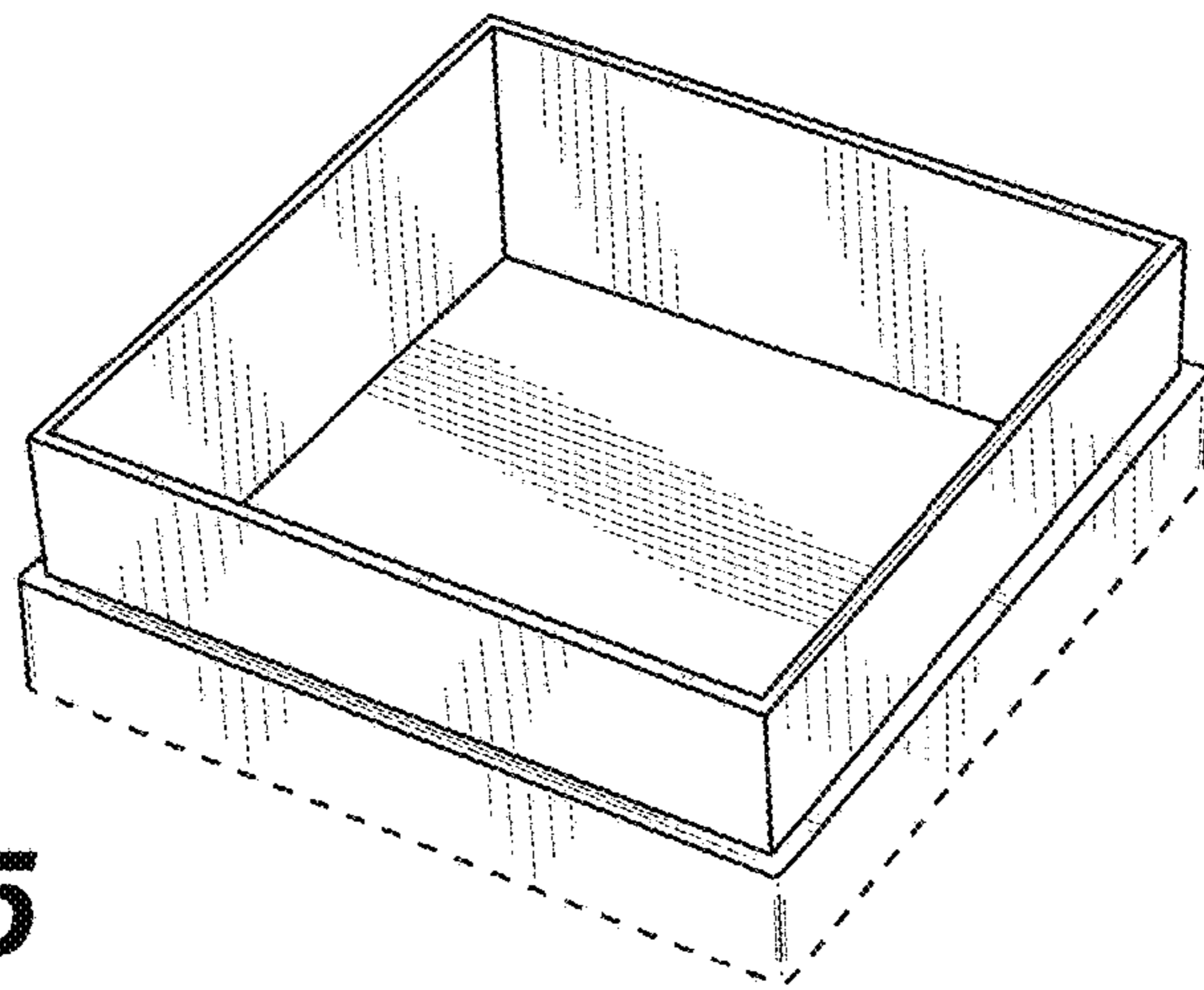
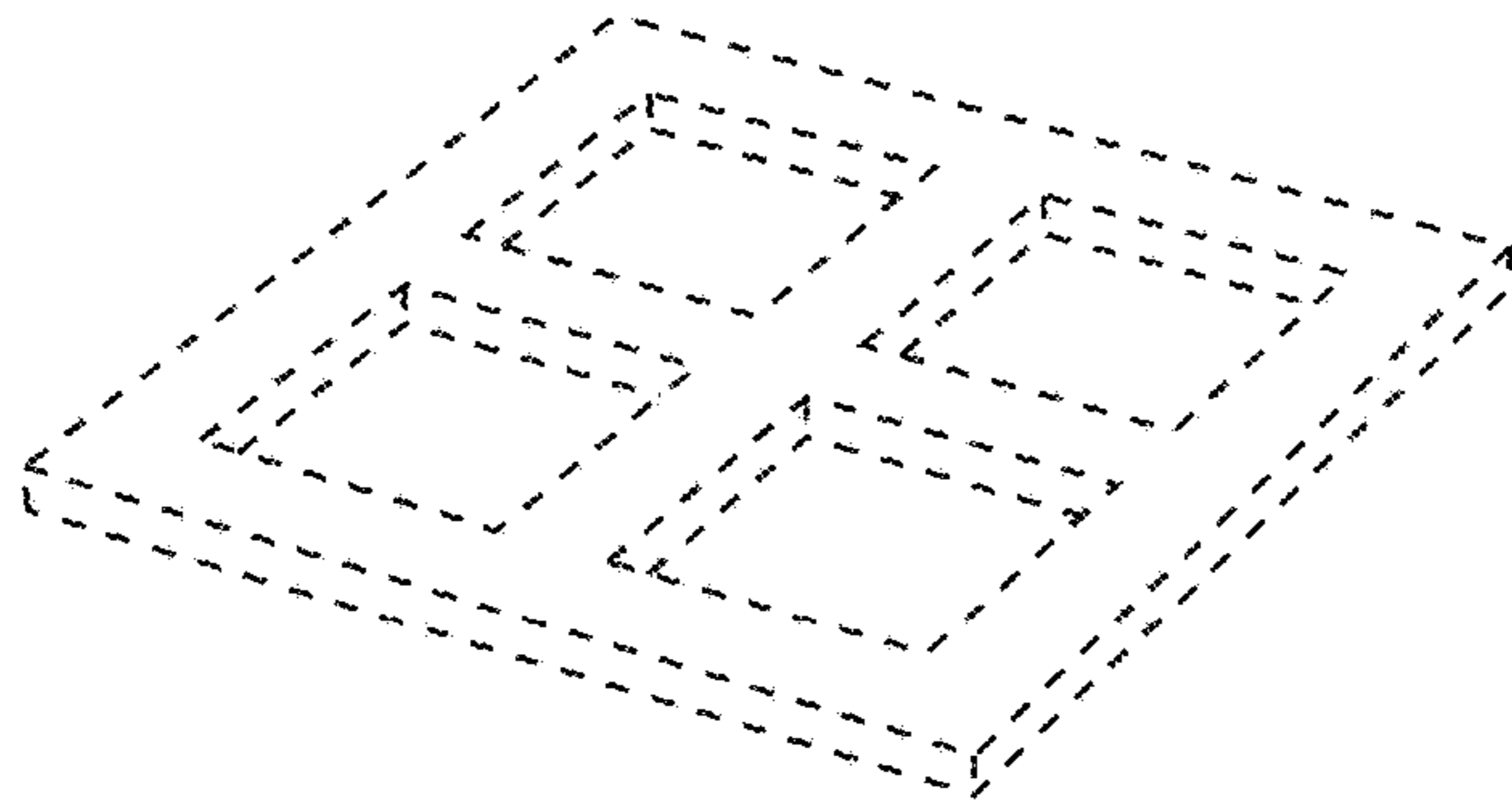
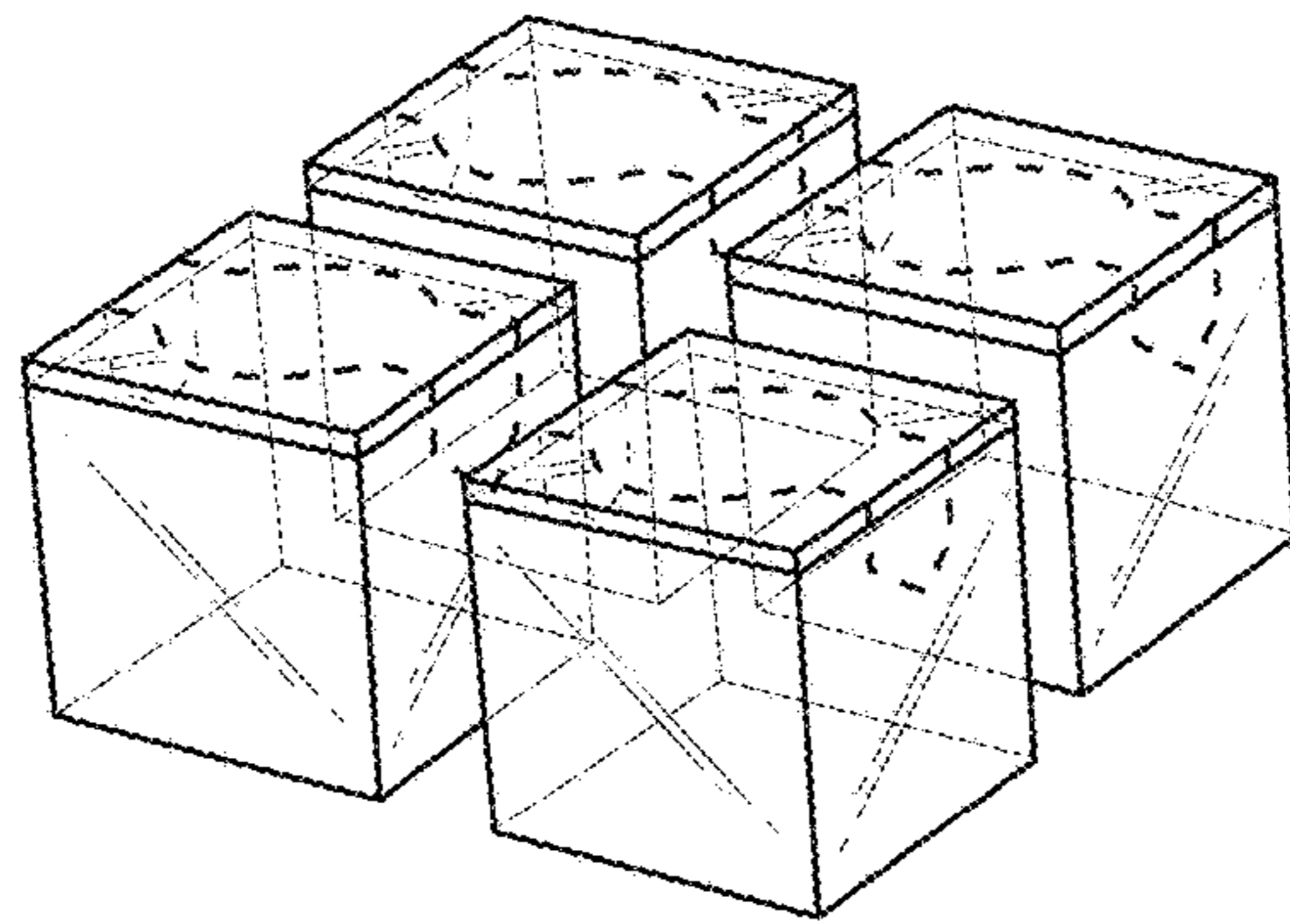
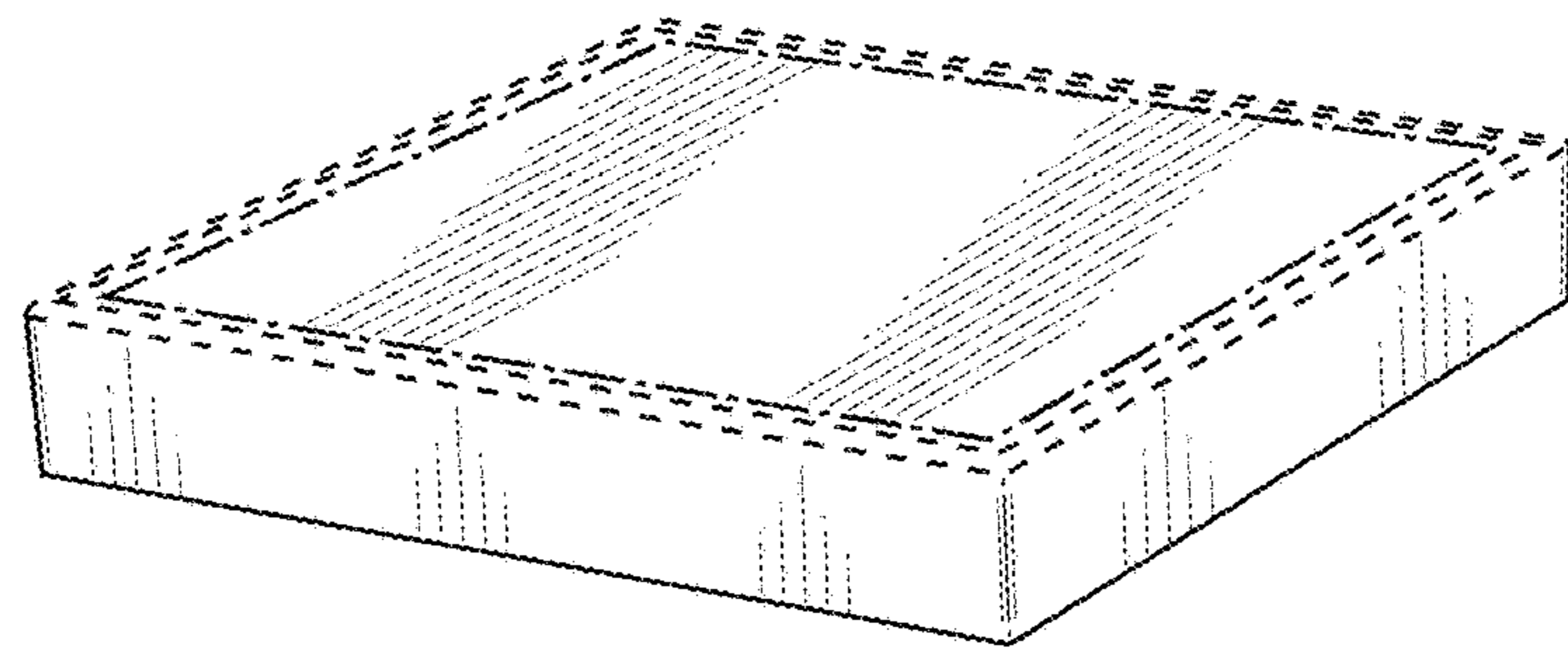


FIG. 15

