

US00D845787S

(12) **United States Design Patent**
O'Neill

(10) **Patent No.:** **US D845,787 S**

(45) **Date of Patent:** **** Apr. 16, 2019**

(54) **PACKAGING**

(71) Applicant: **SUGARFINA, INC.**, Inglewood, CA
(US)

(72) Inventor: **Rosie Colleen O'Neill**, Inglewood, CA
(US)

(73) Assignee: **Sugarfina Inc.**, El Segundo, CA (US)

(**) Term: **15 Years**

(21) Appl. No.: **29/609,540**

(22) Filed: **Jun. 30, 2017**

(51) **LOC (11) Cl.** **09-03**

(52) **U.S. Cl.**
USPC **D9/737; D9/432**

(58) **Field of Classification Search**
USPC D9/414, 418, 715, 721, 737, 756, 759;
D3/201, 273, 274, 302; D7/629
(Continued)

(56) **References Cited**

U.S. PATENT DOCUMENTS

228,158 A 5/1880 Woods
D36,435 S 7/1903 Daggett
(Continued)

FOREIGN PATENT DOCUMENTS

DE M9202895-0002 9/1992
DE G1997182206 3/1993
(Continued)

OTHER PUBLICATIONS

Chocomize, Candy Cube Boxes, www.chocomize.com/candy-cube-box-9pc.html (Jun. 29, 2017).

(Continued)

Primary Examiner — Lauren R Calve

(74) *Attorney, Agent, or Firm* — Troutman Sanders LLP;
Alexis Simpson; Chris Davis

(57) **CLAIM**

The ornamental design for a packaging, as shown and described.

DESCRIPTION

FIG. 1 is a perspective view of a packaging showing my new design.

FIG. 2 is a left view thereof.

FIG. 3 is a right view thereof.

FIG. 4 is a front view thereof.

FIG. 5 is a rear view thereof.

FIG. 6 is a top view thereof.

FIG. 7 is a bottom view thereof.

FIG. 8 is a perspective view thereof, shown without the top for clarity of illustration.

FIG. 9 is a left view thereof, shown without the top for clarity of illustration.

FIG. 10 is a right view thereof, shown without the top for clarity of illustration.

FIG. 11 is a front view thereof, shown without the top for clarity of illustration.

FIG. 12 is a rear view thereof, shown without the top for clarity of illustration.

FIG. 13 is a top view thereof, shown without the top for clarity of illustration.

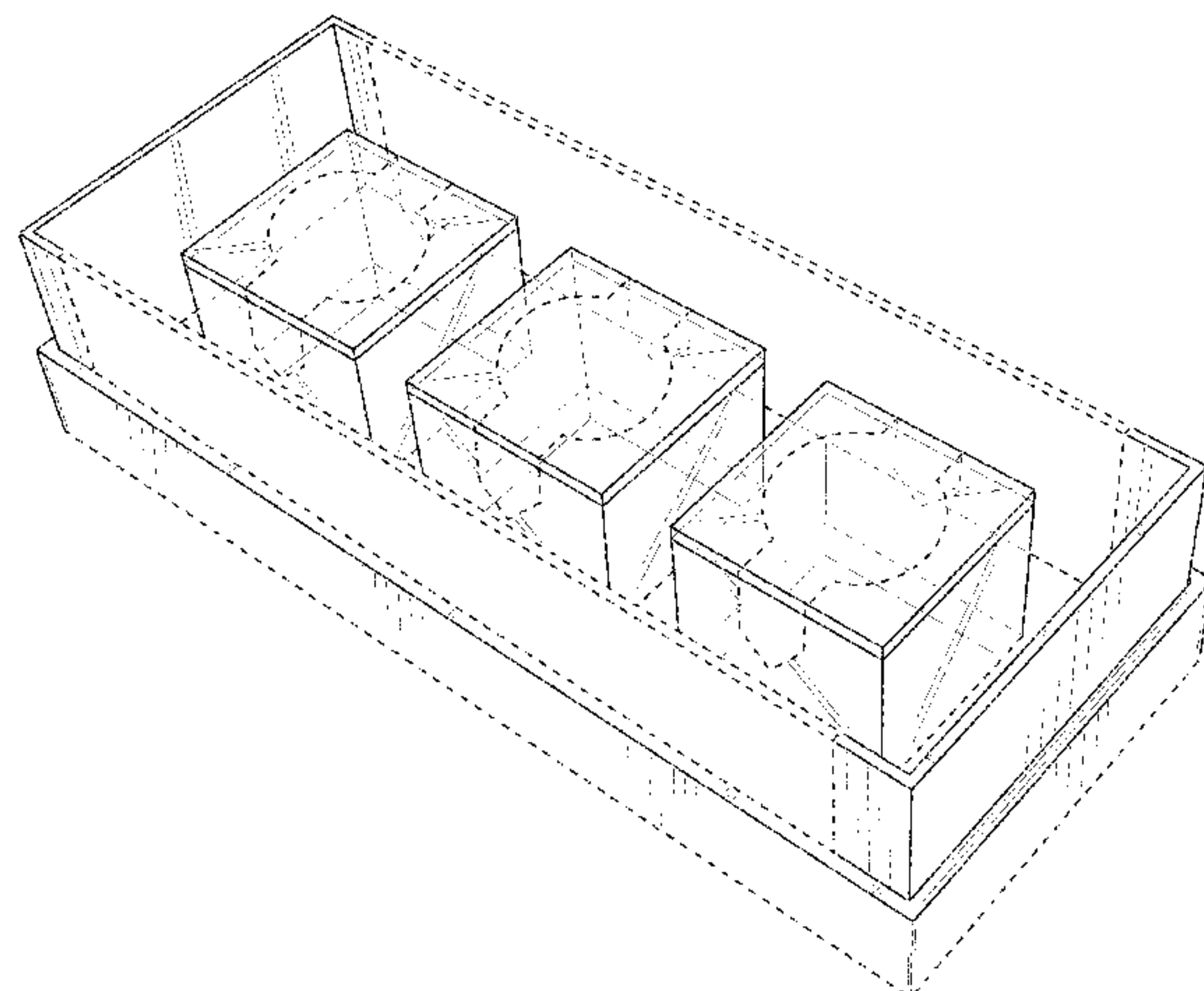
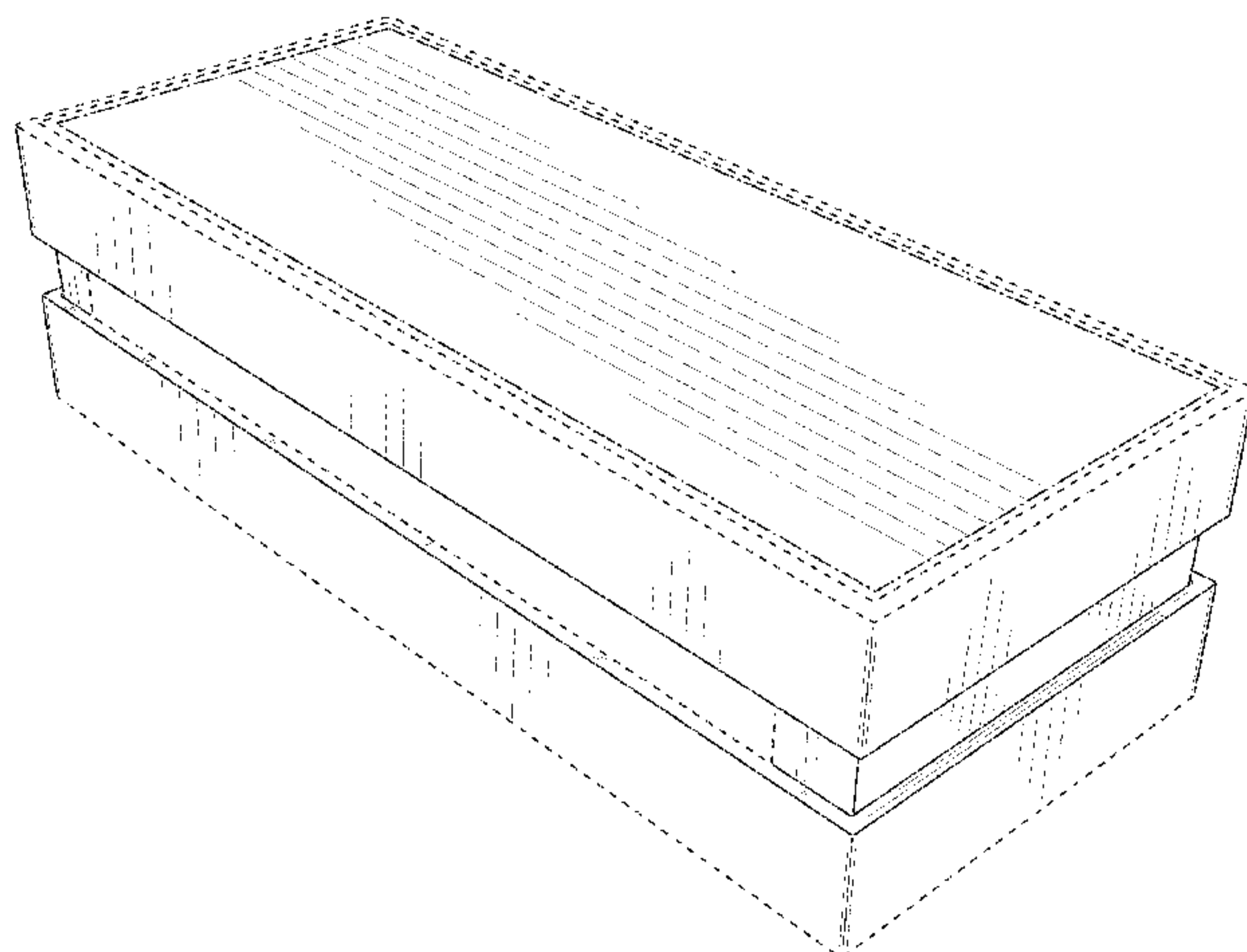
FIG. 14 is a bottom view thereof, shown without the top for clarity of illustration; and,

FIG. 15 is an exploded perspective view of the packaging showing my new design.

The broken lines shown represent unclaimed subject matter and form no part of the claimed design. The shade lines shown represent surface shading and not surface ornamentation, color, or material type.

The long dash-short dash lines shown represent an unclaimed boundary that forms no part of the claimed design. The space between the long dash-short dash and broken lines also forms no part of the claimed design.

1 Claim, 15 Drawing Sheets



US D845,787 S

(58) **Field of Classification Search**
 CPC .. B65D 5/4204; B65D 5/5021; B65D 5/4208;
 B65D 85/1045; B65D 5/5035; B65D
 5/5213; B65D 5/22; B65D 5/38; B65D
 2519/00273; B65D 5/42; B65D 5/5038;
 B65D 2519/00323; B65D 5/5028; B65D
 5/5253; B65D 25/04; B65D 5/5016;
 B65D 5/68; B65D 85/00; B65D
 2543/00194; B65D 2543/00296; B65D
 2519/00711; B65D 2519/00034; B65D
 2519/00069; B65D 81/368; B65D
 21/0233; Y10S 206/804; Y10S 206/82
 See application file for complete search history.

(56) **References Cited**

U.S. PATENT DOCUMENTS

D42,846	S	8/1912	Farrell	
1,162,840	A	12/1915	Wood	
1,588,857	A	6/1926	Sherman	
D71,513	S	11/1926	Austin	
1,620,789	A	3/1927	Urban, Jr.	
1,697,880	A *	1/1929	Peter	B65D 5/5038 206/292
1,762,923	A	6/1930	Fegely	
D86,128	S	2/1932	Levkoff	
1,871,617	A	8/1932	King	
1,892,092	A *	12/1932	Barad	B65D 5/4204 206/521.1
1,899,547	A *	2/1933	Addis	B65D 5/5028 206/575
1,994,159	A	3/1935	Wurzburg	
D95,429	S	4/1935	James et al.	
2,522,049	A	9/1950	Lang	
2,541,173	A *	2/1951	Moore	B65D 5/38 206/499
2,597,377	A *	5/1952	Robinson	B65D 71/18 206/392
2,604,980	A	7/1952	Reid	
2,751,135	A	6/1956	Kessler	
2,782,951	A	2/1957	Inman	
2,790,589	A	4/1957	Moore	
3,004,661	A	10/1961	Schumann	
3,126,093	A	3/1964	Bradley et al.	
3,357,543	A	12/1967	Taggart	
3,423,006	A	1/1969	Stedman	
3,494,534	A	2/1970	McFarland et al.	
3,600,871	A	8/1971	Farquhar	
3,660,934	A	5/1972	Pollack et al.	
D242,771	S	12/1976	Papillon	
D244,085	S	4/1977	Giddings et al.	
4,139,096	A	2/1979	Sieger	
D258,938	S	4/1981	Spitzer	
D260,077	S	8/1981	Burns et al.	
4,293,079	A	10/1981	Lytle	
D292,876	S	11/1987	Grunhut	
D292,877	S	11/1987	Grunhut	
4,713,928	A	12/1987	Tisma	
4,757,898	A	7/1988	Klein	
D307,504	S *	4/1990	Silcox	D9/415
D315,297	S	3/1991	Campbell	
D317,717	S	6/1991	Carol	
D317,718	S	6/1991	Carol	
5,038,940	A	8/1991	Okabe	
5,096,056	A *	3/1992	Garcia	A45C 13/02 206/455
D327,004	S	6/1992	Nadel	
D329,601	S	9/1992	Samelson	
D333,615	S	3/1993	Zutler	
D335,819	S	5/1993	Campbell	
D344,020	S	2/1994	Pavely	
5,375,706	A	12/1994	Perez	
D361,508	S	8/1995	Schnack	
D361,661	S *	8/1995	Masuda	D3/273
D373,723	S	9/1996	Healey	

5,555,982	A *	9/1996	Kuhn	B65D 5/54 206/526
5,590,786	A	1/1997	Jaycox	
5,603,558	A *	2/1997	Zimmer	A47B 81/00 206/566
D380,417	S	7/1997	Hardy	
D380,926	S *	7/1997	Goodburn	D6/632
5,682,999	A	11/1997	Larson	
5,791,468	A *	8/1998	House	G11B 33/0405 206/308.1
5,817,510	A	10/1998	Pandey et al.	
D411,308	S	6/1999	Pandey et al.	
D424,296	S	5/2000	David	
D424,425	S	5/2000	Ngai	
D426,902	S	6/2000	Hardy et al.	
D433,630	S *	11/2000	Lubineau-Bigot	D9/416
6,349,820	B1	2/2002	Kelley et al.	
D455,073	S	4/2002	Mizrahi	
D464,568	S	10/2002	Sisinni	
D464,885	S	10/2002	Weinstein et al.	
D468,100	S	1/2003	Bowling	
6,533,166	B1	3/2003	Kaiss	
D477,911	S *	8/2003	Stuart	D3/271.6
D492,194	S	6/2004	Kim	
D494,862	S	8/2004	Sisinni	
6,923,556	B1	8/2005	Baker, III	
D510,528	S	10/2005	Funk	
D511,681	S	11/2005	Cogley et al.	
D521,733	S	5/2006	Kim	
D522,376	S	6/2006	Hales	
D528,794	S *	9/2006	Lanham	D3/294
D529,378	S	10/2006	Spencer et al.	
D536,246	S	2/2007	Schneider	
7,264,123	B2	9/2007	Reed	
D553,495	S	10/2007	Vandecasteele et al.	
D568,765	S	5/2008	Miles	
D580,263	S	11/2008	Yi Man	
D584,053	S	1/2009	Abdo et al.	
D596,485	S *	7/2009	Andre	D9/737
D603,720	S	11/2009	Cesare et al.	
D609,116	S	2/2010	Kim	
7,757,843	B2	7/2010	Katsis	
D621,548	S	8/2010	Chen	
D643,306	S	8/2011	Martinez et al.	
8,006,842	B1	8/2011	Loughlin, Jr. et al.	
D646,984	S *	10/2011	Moore	D9/737
8,109,389	B1	2/2012	Amer	
D657,284	S	4/2012	Young	
D663,520	S	7/2012	Antler	
D664,312	S *	7/2012	Bizzle	D30/161
8,272,509	B1	9/2012	McCutchen	
D669,352	S	10/2012	Paslawski	
D670,931	S	11/2012	Tapper	
D670,932	S	11/2012	Tapper	
D673,864	S	1/2013	Read et al.	
D675,539	S	2/2013	Biglarians	
D682,119	S	5/2013	Buford	
D685,578	S	7/2013	Pestell	
D686,065	S	7/2013	Kuo et al.	
D686,491	S	7/2013	Kuo et al.	
D687,321	S	8/2013	Pralus	
D690,554	S	10/2013	Presley	
D691,465	S	10/2013	O'Brien et al.	
D691,900	S	10/2013	Kraus	
D698,639	S	2/2014	Fletcher et al.	
D698,664	S *	2/2014	Abbott	D9/721
D700,462	S *	3/2014	Boos	D6/661
D704,550	S	5/2014	Mattila et al.	
D706,627	S	6/2014	Olsson et al.	
D709,305	S	7/2014	Tapper	
D709,306	S	7/2014	Tapper	
D709,364	S *	7/2014	Olsson	D9/432
D712,176	S	9/2014	Tamilarasan	
D712,748	S	9/2014	Akana et al.	
D713,739	S *	9/2014	Akana	D9/721
D717,165	S *	11/2014	Kwak	D9/424
D722,870	S	2/2015	Fohner et al.	
D728,358	S	5/2015	Belamich	
D729,636	S	5/2015	Steinberger	

(56)

References Cited

U.S. PATENT DOCUMENTS

D730,749 S 6/2015 Young et al.
 D731,323 S * 6/2015 O'Neill D9/721
 D731,325 S 6/2015 Loessin
 D733,314 S 6/2015 Lui
 D733,315 S 6/2015 Lui
 D733,317 S 6/2015 Lui
 D733,318 S 6/2015 Lui
 9,061,790 B2 6/2015 Yagishita
 D734,075 S 7/2015 Tapper
 D738,721 S 9/2015 Song et al.
 D741,193 S 10/2015 Lohuis et al.
 D748,280 S 1/2016 Lui
 D754,408 S 4/2016 Garrett et al.
 D755,641 S 5/2016 O'Neill
 D756,560 S 5/2016 Ghiotti et al.
 D756,804 S 5/2016 Gross
 D758,191 S 6/2016 Tu et al.
 D763,104 S 8/2016 Akana et al.
 D763,683 S 8/2016 O'Neill
 D763,684 S 8/2016 O'Neill
 D764,911 S 8/2016 Glass et al.
 D768,008 S 10/2016 Akana et al.
 D769,727 S 10/2016 Lohuis et al.
 D769,986 S 10/2016 Timg
 D772,057 S 11/2016 Adams et al.
 D774,388 S 12/2016 Xia
 9,533,791 B2 1/2017 Fath
 D780,569 S 3/2017 Bard et al.
 D780,570 S 3/2017 Bard et al.
 D787,186 S 5/2017 Thurbin
 D787,320 S 5/2017 Gill et al.
 D789,752 S 6/2017 Zmrhal et al.
 D821,087 S 6/2018 Lihotzky et al.
 D824,777 S 8/2018 Arnett, Jr.
 D831,479 S 10/2018 Lylyk
 2002/0108880 A1 8/2002 Krupa et al.
 2006/0266672 A1 11/2006 Young
 2006/0283733 A1 12/2006 Masa
 2007/0095693 A1 * 5/2007 De Luca B65B 9/045
 206/389
 2008/0190788 A1 8/2008 Cziraky
 2009/0242455 A1 10/2009 Adams et al.
 2010/0012672 A1 1/2010 Piron
 2010/0187227 A1 7/2010 Wang
 2011/0174166 A1 7/2011 Sparacio et al.
 2012/0168434 A1 7/2012 Cervera et al.
 2012/0168443 A1 7/2012 Maness
 2013/0161378 A1 6/2013 Nebeker et al.
 2013/0240387 A1 9/2013 Pugh
 2013/0248531 A1 9/2013 Lane
 2014/0021086 A1 1/2014 Roesler
 2014/0166736 A1 6/2014 Kato
 2014/0312107 A1 10/2014 Nash
 2015/0093509 A1 4/2015 Kennedy et al.
 2015/0232245 A1 8/2015 Fullan
 2015/0321811 A1 11/2015 Yeung
 2016/0009473 A1 1/2016 Korinek et al.
 2016/0046404 A1 2/2016 Cheeser et al.
 2016/0185511 A1 6/2016 O'Neill
 2016/0264285 A1 9/2016 Madwar et al.
 2017/0050797 A1 2/2017 Farid et al.
 2017/0076343 A1 3/2017 Bernstein et al.
 2017/0138660 A1 5/2017 Huckaby et al.
 2017/0152092 A1 6/2017 Glass et al.

FOREIGN PATENT DOCUMENTS

IL 51964 10/2013
 JP 1503649 S 7/2014
 JP 1530877 S 8/2015
 JP 1537477 S 11/2015
 JP 1541182 S 1/2016
 JP 1562136 S 1/2017
 JP D1600162 3/2017

KR 30-0377284-0000 3/2005
 KR 30-04151920-0000 6/2007
 TW 099232 5/1988
 TW D119491 10/2007
 TW D186765 S 11/2017

OTHER PUBLICATIONS

MidNite Snax, Signature Sets, http://midnitesnax.com/home_page_files/view/1265/file.pdf (Jun. 29, 2017).
 Sweet Pete's, Build-a-Candy-Cube-Box, <https://www.sweetpetescandy.com/collections/build-a-candy-cube-box> (Jun. 29, 2017).
 Sweet Pete's, Pete's Picks Collection, www.sweetpetescandy.com:80/collections/boxes (Mar. 23, 2016).
 Sweitzer Candy Shop, Gifts, <https://sweitzercandy.com/index.php/gift-boxes.html> (Jun. 29, 2017).
 Sugarfina, Design Your Own Bento, www.sugarfina.com/shop/gift-shop/gift-type/design-your-own-bento (Jun. 29, 2017).
 Sugarfina, Custom Catalogue, <https://issuu.com/sugarfina/docs/2017-corporatecatalog-ppai-webversi> (Jun. 29, 2017).
 Teapressa, Tea + Cube, available at <https://teapressa.com/collections/gifts/products/tea-cube> (Jun. 29, 2017).
 Sugarfina Partners With Sanrio to Create the Cutest Hello Kitty Candy on the Planet. [online] Published Sep. 17, 2017. Retrieved Nov. 20, 2017 from URL: <https://www.popsugar.com/food/gallery/44018877/image/44018885/Sugarfinas-Pop-Up-Candy-Bento-Box-30>.
 Rigid Set-up Box, Wine and Champagne Chocolate Leather Gift Box, Faux Leather, Dark Brown, Qty/Case-6. [online] Retrieved Nov. 22, 2017 from URL: <https://www.aspecialtybox.com/RG00F-00493-C>.
 House Drawer Gift Box/CMXSSGB-10. [online] Retrieved Nov. 22, 2017 from URL: <http://www.charmpackaging.com/special-shape-gift-box/house-drawer-gift-box-cmxssgb-010.html>.
 Bouquet Bar 3 Piece Box Photo—Instagram—<https://www.instagram.com/p/BPs-h6rBWic/?taken-by=thebouquetbar>; Jan. 25, 2017, 1 page.
 Bouquet Bar 6 Piece Box Photo—"It's Time to Ditch the Red Roses: Six Better Ways to Give Your Valentine Flowers," People Home & Travel; Jan. 31, 2017, 10 pages.
 Bouquet Bar 6 Piece Photo—Instagram—<https://www.instagram.com/p/BP-9I12hV9Q/?taken-by=thebouquetbar>; Feb. 1, 2017, 1 page.
 Chocomize 2 Piece Box—<https://www.chocomize.com/candy-cubes-2pack.html>; Oct. 16, 2017, 4 pages.
 Chocomize 3 Piece Box Photo—Facebook—<https://www.facebook.com/Chocomize/photos/a.423529781180.220124.176532311180/10154561729211181/?type=3&theater>; Nov. 11, 2016, 1 page.
 Chocomize 6 Piece Box—<https://www.chocomize.com/candy-cube-6pcs-box.html>; Oct. 16, 2017, 3 pages.
 Chocomize 9 Piece Box Photo—Instagram—<https://www.instagram.com/p/BI5r4s6BLH7/?taken-by=chocomize>; Aug. 9, 2016, 1 page.
 Chocomize 9 Piece Box Photo—Instagram—<https://www.instagram.com/p/BMpjEEUhpqV/?taken-by=chocomize>; Nov. 10, 2016, 1 page.
 Chocomize 9 Piece Box Photo—Instagram—<https://www.instagram.com/p/BMrp0YdhQeU/?taken-by=chocomize>; Nov. 11, 2016, 1 page.
 Cubetas 2 Piece and 3 Piece Box Photo—Instagram—<https://www.instagram.com/p/BMyWwq0BQoH/?taken-by=cubetas.2016>; Nov. 14, 2016, 1 page.
 Cubetas 2 Piece and 3 Piece Box Photo—Instagram—<https://www.instagram.com/p/BNtkhJpBzYm/?taken-by=cubetas.2016>; Dec. 7, 2016, 1 page.
 Cubetas 2 Piece Box Photo—Instagram—<https://www.instagram.com/p/BMQ9Bjihqyz/?taken-by=cubetas.2016>; Nov. 1, 2016, 1 page.
 Cubetas 3 Piece Box Photo—Instagram—<https://www.instagram.com/p/BPrxqTThloh/?taken-by=cubetas.2016>; Jan. 25, 2017, 1 page.
 Foxes Events 6 Piece Box Photo—Instagram—<https://www.instagram.com/p/BQVMWj7jZke/?taken-by=foxesevents&hl=en>; Feb. 10, 2017, 1 page.
 Idea Stage 2 Piece Box—<https://www.ideastage.com/Cube-Shaped-Candy-Set-965458328>; Oct. 13, 2017, 2 pages.

(56)

References Cited

OTHER PUBLICATIONS

Sugarwish 2 Piece and 4 Piece Boxes—<https://web.archive.org/web/20151201071311/https://sugarwish.com/choose-a-sugarwish/>; Dec. 1, 2015, 1 page.

Sweet Lounge 2 Piece Box—<https://www.sweetlounge.co.uk/lounge-box-hello-spring-collection-for-vegans/>; Oct. 16, 2017, 6 pages.

Sweet Lounge 3 Piece and 4 Piece Box Photo—Instagram—https://www.instagram.com/p/BM_eHn6g8Iy/?taken-by=sweetloungeuk; Nov. 19, 2016, 1 page.

Sweet Lounge 3 Piece and 4 Piece Box Photo—Instagram—https://www.instagram.com/p/BMY_iidAMwX/?taken-by=sweetloungeuk; Nov. 4, 2016, 1 page.

Sweet Lounge 4 Piece Box—Instagram—<https://www.instagram.com/p/BNMnfaJgwOo/?taken-by=sweetloungeuk>; Nov. 24, 2016, 1 page.

Sweet Lounge 4 Piece Box—<https://www.sweetlounge.co.uk/lounge-box-hello-spring-collection/>; Oct. 16, 2017, 7 pages.

Sweet Lounge 4 Piece Box Video Snapshots—Facebook—<https://www.facebook.com/sweetloungeuk/videos/vb.670728213008752/118828557919679/?type=2&theater>; Nov. 16, 2016, 6 pages.

Sweet Pete's 8 Piece Box—www.sweetpetescandy.com/collections/create-a-box; Nov. 18, 2016, 2 pages.

Sweitzer Candy 3 Piece Box Photo—Instagram—<https://www.instagram.com/p/440XveluqO/?taken-by=sweitzercandy>; Jul. 8, 2015, 1 page.

Sweitzer Candy 4 Piece Box Photo—Instagram—<https://www.instagram.com/p/440XveluqO/?taken-by=sweitzercandy>; Apr. 16, 2015, 1 page.

Sweitzer Candy 8 Piece Box Photo—Instagram—<https://www.instagram.com/p/wLDm8Olujs/?taken-by=sweitzercandy>; Dec. 4, 2014, 1 page.

Webb Company 2 Piece Box Photo—Facebook—<https://www.facebook.com/webbcollection/photos/a.376918812240.156708.376836382240/10154628557212241/?type=3&theater>; Oct. 18, 2016, 1 page.

Webb Company 4 Piece Box—<https://www.facebook.com/webbcollection/photos/a.376918812240.156708.376836382240/10154602255037241/?type=3&theater>; Oct. 11, 2016, 1 page.

Weeny Beeny 3 Piece Box Photo—Facebook—<https://www.facebook.com/weenybeeny123/>; Jan. 31, 2017, 1 page.

Weeny Beeny 4 Piece Box Photo—Facebook—<https://www.facebook.com/weenybeeny123/>; Jan. 31, 2017, 1 page.

Bonbonist Box Photo—Facebook—<https://www.facebook.com/thebonbonist/photos/a.1493876617357861.1073741829.1290401221038736/1493876580691198/?type=3&theater>; Oct. 1, 2017, 1 page.

Bonbonist—<https://thebonbonist.com/>; Oct. 18, 2017, 4 pages.

Sweitzer Candy Gift Box 8, available Feb. 21, 2015, [online], [site visited Aug. 2, 2017]. Available from internet, <URL: <https://web.archive.org/web/20150221225755/https://sweitzercandy.com/index.php/gift-boxes.html>, 2 pages.

Sweitzer Candy Gift Box 4, available Feb. 21, 2015, [online], [site visited Aug. 2, 2017]. Available from internet, <URL: <https://web.archive.org/web/20150221225755/https://sweitzercandy.com/index.php/gift-boxes.html>, 2 pages.

"A Taste of Paradise," Collection by Sugarfina, available Aug. 2, 2017, [online], [site visited Aug. 2, 2017]. Available from internet, <URL: <https://www.sugarfina.com>, 1 page.

Cubetas, [online], [site visited Aug. 16, 2017]. Available from internet, <URL: <http://cubetas.jp/>>, 19 pages.

International Search Report and Written Opinion for International Application No. PCT/US2017/057660 dated Jan. 25, 2018, 8 pages.

Sugarfina Representative Twitter posts; <https://twitter.com/sugarfina>; 8 pages.

Sugarfina Representative Facebook posts; <https://www.facebook.com/Sugarfina/>; 25 pages.

Sugarfina Representative Instagram posts; <https://www.instagram.com/sugarfina/?hl=en>; 40 pages.

Sugarfina: Sampling the Sweets—York Avenue; <https://yorkavenueblog.com/sugarfina-sampling-sweets/>; Sep. 8, 2014; 7 pages.

Sugarfina—Candy Happiness!; <http://luluandlattes.com/2013/06/27/sugarfina-candy-happiness/>; Jun. 27, 2013; 11 pages.

Kasey's Kitchen: Kasey's Favorite Thing #20: Sugarfina; <http://kaseyskitchentv.blogspot.com/2013/12/kaseys-favorite-thing-20-sugarfina.html>; Dec. 17, 2013; 3 pages.

Jonathan Adler Sugarfina Bento Boxes_InStyle.com; <http://www.instyle.com/lifestyle/news/sugarfina-loves-jonathan-adler-collection>; Apr. 11, 2016; 2 pages.

Fancy candy brand selects fancier Dallas destination for Texas debut; <http://dallas.culturemap.com/news/restaurants-bars/10-29-15-sugarfina-highland-park-village-market-candy/>; Oct. 29, 2015; 4 pages.

Emiiichan Blog_Sugarfina candy order; <https://emiichan.blogspot.com/2014/11/sugarfina-candy-order.html>; Nov. 21, 2014, 18 pages.

Drool Worthy Sweets in Cute Packaging Beckon at Sugarfina Candy Shop; <http://www.7x7.com/drool-worthy-sweets-in-cute-packaging-beckon-at-sugarfina-candy-shop-1787196138.html>; Jul. 15, 2015; 4 pages.

Candy Critic: Boxes and Boxes of Gummies From Sugarfina; <http://candy-critic.blogspot.com/2013/05/boxes-and-boxes-of-gummies-from.html>; May 2, 2013; 2 pages.

Sugarfina Part I—Foodette Reviews; <http://foodettereviews.com/?p=24>; Sep. 10, 2013; 7 pages.

Rebecca's Delights: Sugarfina Gourmet Candy—Author Rebecca Kelsey Sampson; <http://rebeccakelsey.com/2012/11/rebeccas-delights-sugarfina-gourmet-candy>; Nov. 12, 2012; 6 pages.

Sugar & Charm // Sugarfina—Mary Costa Photography; <http://marycostaphotography.com/sugar-charm-sugarfina/>; Apr. 22, 2014; 24 pages.

Treat yourself: SUGARFINA!_Twinkie Chan Blog; <http://blog.twinkiechan.com/2012/09/20/treat-yourself-sugarfina/>; Sep. 20, 2012; 13 pages.

Sugarfina << MDH Mark D Hogan; <https://markdhogan.wordpress.com/tag/sugarfina/>; Aug. 29, 2013; 7 pages.

Sugarfina (Beverly Hills, CA) • The Episodic Eater; <https://www.theepisodiceater.com/sugarfina-beverly-hills-ca/>; unknown date; 29 pages.

Sugarfina—A Unique Candy Boutique at The Americana; <http://www.realmomofsfv.com/2014/06/18/sugarfina-a-unique-candy-boutique-at-the-americana/>; Jun. 18, 2014; 28 pages.

Sugarfina—Thrillist LA; <https://www.thrillist.com/eat/los-angeles/we-fed-a-kid-absinthe-candy-here-s-what-happened-thrillist-la>; Dec. 16, 2013; 35 pages.

A Sweet Evening at Sugarfina—SavvySleepers; <https://www.savvysleepers.com/blogs/the-benefits-of-satin/44181636-a-sweet-evening-at-sugarfina>; Aug. 31, 2015; 7 pages.

Sugarfina: The Chocolates—Candy Blog; http://www.candyblog.net/blog/item/sugarfina_the_chocolates; Jul. 16, 2013; 11 pages.

Sugarfina Beverly Hills & Trio of Goodies—Candy Blog; http://www.candyblog.net/blog/item/sugarfina_trio_of_goodies; Dec. 16, 2013; 11 pages.

Sugarfina: The Gummies—Candy Blog; http://www.candyblog.net/blog/item/sugarfina_the_gummies; Jul. 10, 2013; 11 pages.

NYC Guide: Sugarfina—York Avenue; <https://yorkavenueblog.com/nyc-guide-sugarfina/>; Oct. 26, 2015; 74 pages.

Talking Shop: Sugarfina—Sugar Paper; <https://sugarpaper.com/blogs/news/87503553-talking-shop-sugarfina>; Feb. 11, 2016; 13 pages.

A Candy Emporium for Adults; <https://www.entrepreneur.com/article/236286>; Aug. 25, 2014; 10 pages.

10 fanciest candies from Sugarfina's New York shop—NY; <http://www.nydailynews.com/life-style/eats/10-fanciest-candies-sugarfina-new-york-shop-article-1.2407237>; Oct. 22, 2015; 9 pages.

People Freaked Out So Hard Trying to Get Rosé Gummy Bears that They Crashed the Website; <https://www.forbes.com/sites/meghancasserly/2013/04/09/sugarfina-facebook-candy-shop-outerspace/#78cb39dd6e74>; Jun. 29, 2016; 14 pages.

Sugarfina: One Candy-Coated Startup's Plans For A Lucrative Exit—But First A Trip To Space; <https://www.forbes.com/sites/meghancasserly/2013/04/09/sugarfina-facebook-candy-shop-outerspace/#78cb39dd6e74>; Apr. 9, 2013; 6 pages.

(56)

References Cited

OTHER PUBLICATIONS

Luxurious One-of-a-Kind Candy Shop Tour With Sugarfina—Best Friends for Frosting; <https://bestfriendsforfrosting.com/2015/11/luxurious-one-kind-candy-sugarfina/>; Nov. 17, 2015; 16 pages.

Sugarfina Launches—Atlanta's Lenox Square Just Got Sweeter!; <http://www.momsmagicalmiles.com/sugarfina-launches-atlantas-lenox/>; Nov. 6, 2015; 15 pages.

Whispering Angel Rosé-Infused Gummy Bears are Summer's Hottest Sweet—The Glamorous Gourmet; <https://theglamorousgourmet.com/whispering-angel-rose-gummy-bears-summer-hottest-sweet/>; Jul. 31, 2016; 13 pages.

Sugar Fix: Sugarfina Pasadena; <https://studiodiy.com/2015/07/21/sugar-fix-sugarfina-pasadena/>; Jul. 21, 2015; 15 pages.

Rosie O'Neill of Sugarfina—The Everygirl; <http://theeverygirl.com/rosie-oneill-of-sugarfina/>; May 18, 2014; 27 pages.

Translation of Office Action and Search Report for Taiwan Design Patent Application No. 106306912 dated Jun. 12, 2018; 3 pages.

Mariebelle.com archived webpage (available at <https://web.archive.org/web/20070624034428/http://www.mariebelle.com/category.cfm?showCategoryID=12>), purported by the Internet Archive WayBack Machine to have been publicly available Jun. 24, 2007, 1 page.

Alto Nivel, Top 10 de Chocolates Gourmet de Lujo (Jun. 26, 2011) (available at <https://www.altonivel.com.mx/estilo-de-vida/top-10-de-chocolates-gourmet-de-lujo/>), 13 pages.

Alto Nivel, Top 10 de Chocolates Gourmet de Lujo (Jun. 26, 2011) (available at <https://www.altonivel.com.mx/estilo-de-vida/top-10-de-chocolates-gourmet-de-lujo/>), machine translation, 12 pages.

MAGMA Google Group, "Sweet" (Mar. 11, 2011) (available at https://groups.google.com/forum/print/msg/magma-massar/sUT3yoay0mE/5gOUk5AKMzQJ?ctz=4721738_76_76_104100_72_446760), 11 pages.

Yelp photo uploaded by Adam D. on Mar. 8, 2014 (available at https://www.yelp.com/biz_photos/mariebelle-new-york-3?select=ggKtO2Mx-jLH82WREkN7iA), 1 page.

Yelp photo uploaded by Farhana S. on May 25, 2015 (available at https://www.yelp.com/biz_photos/mariebelle-new-york-3?select=bewjLhJxzOfxHTN2m0-Ghg), 1 page.

Yelp photo uploaded by Amy K. on Feb. 20, 2016 (available at https://www.yelp.com/biz_photos/mariebelle-new-york-3?select=aSrM2Gu_DuexeX67uD4p9Q), 1 page.

Yelp photo uploaded by Adrienne D. on Nov. 8, 2016 (available at https://www.yelp.com/biz_photos/mariebelle-new-york-3?select=tEA9kZR4JsKFdBsu8uSIIQ), 1 page.

Yelp photo uploaded by Dani V. on Jan. 4, 2007 (available at https://www.yelp.com/biz_photos/mariebelle-new-york-3?select=5MkHMGtiRD-hWFLhdHivKg), 1 page.

Banat-Style.com, Mar. 1, 2010 (available at <http://forums.banat-style.com/arabgirlsfashion143108/>), 46 pages.

* cited by examiner

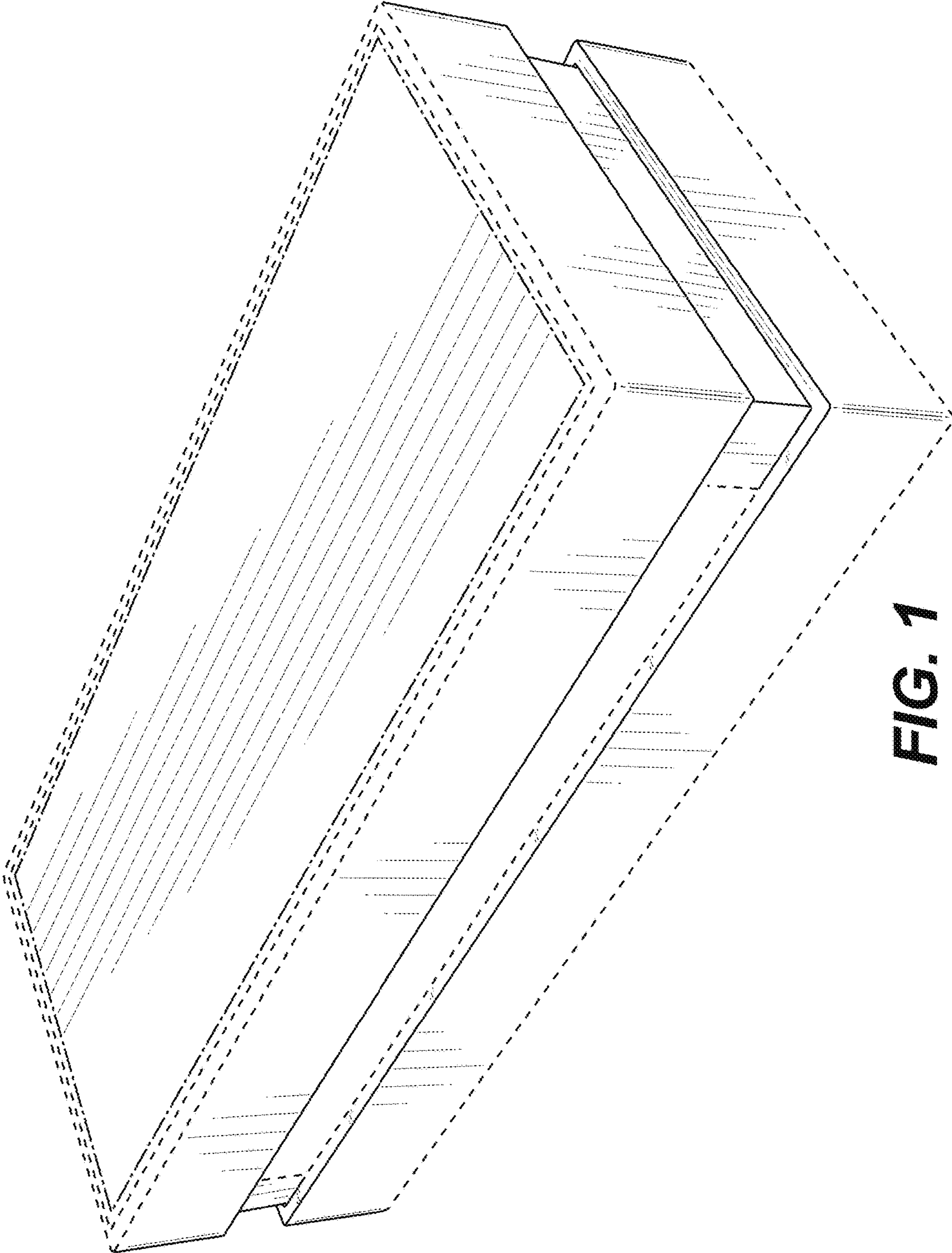


FIG. 1

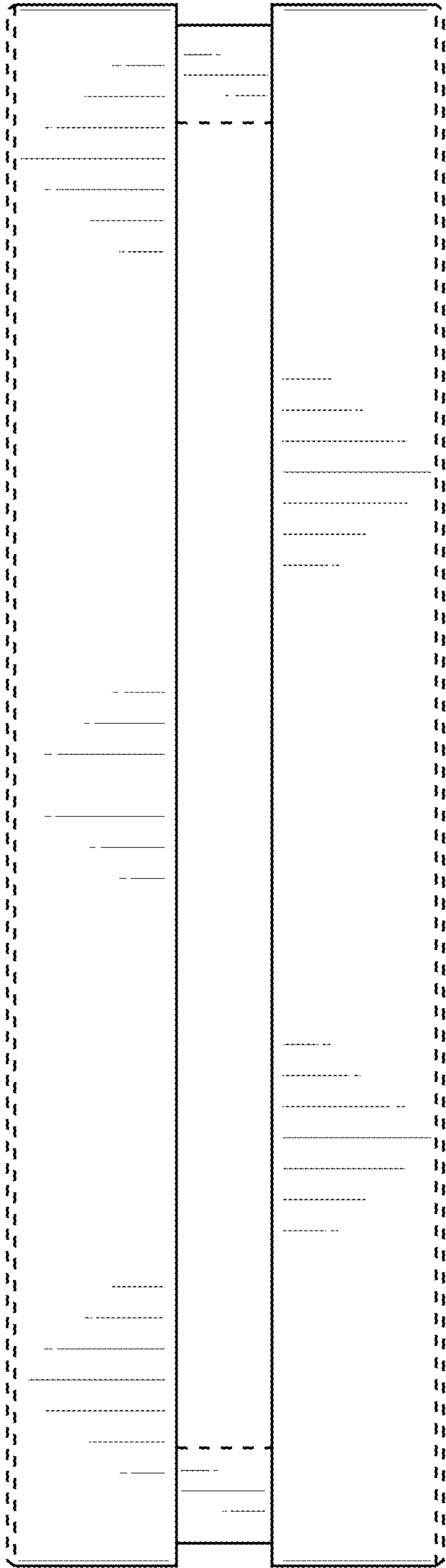


FIG. 2

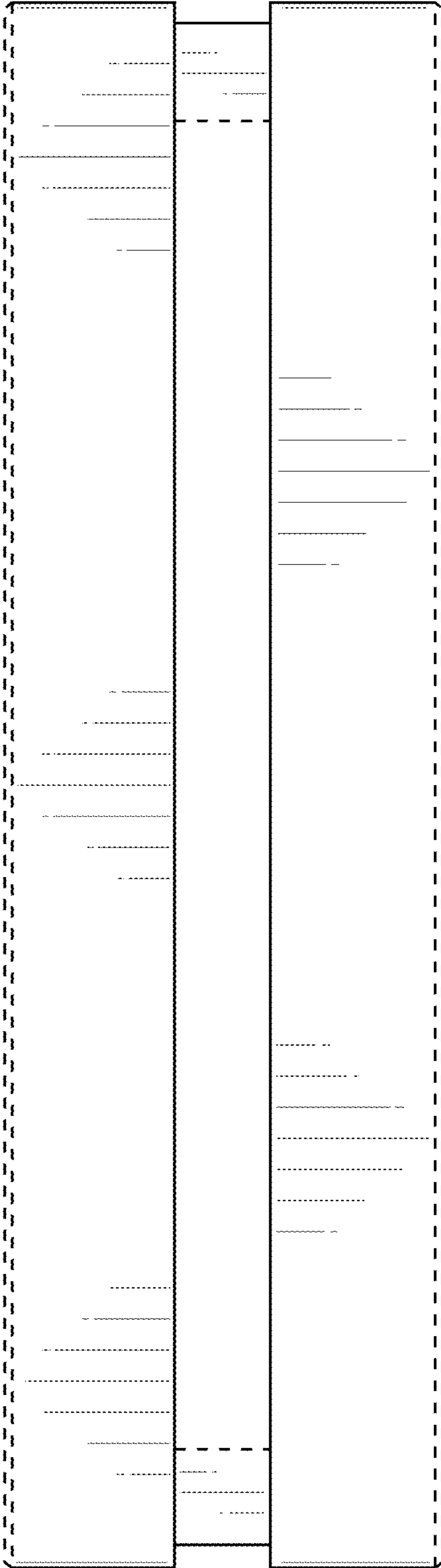


FIG. 3

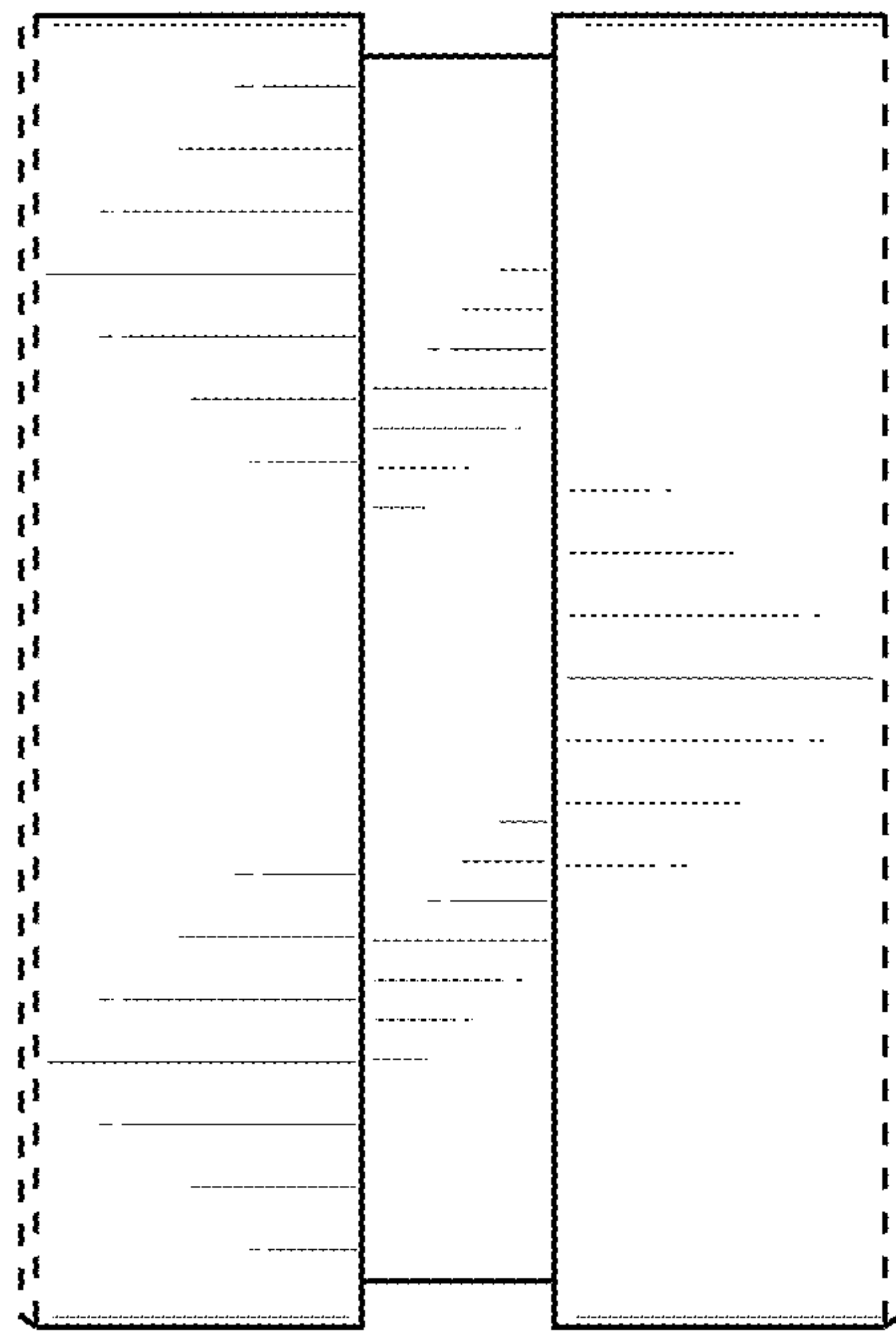


FIG. 4

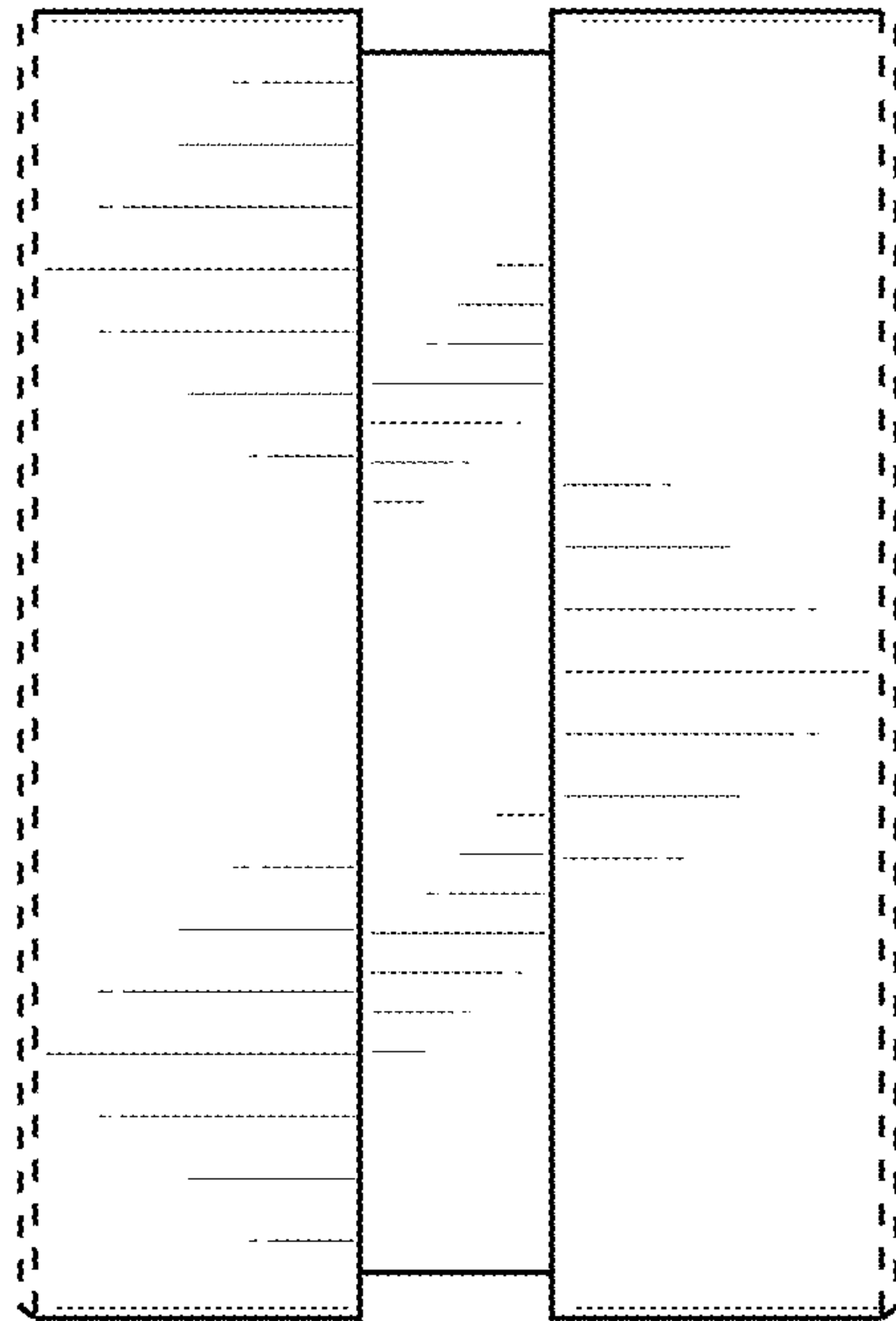


FIG. 5

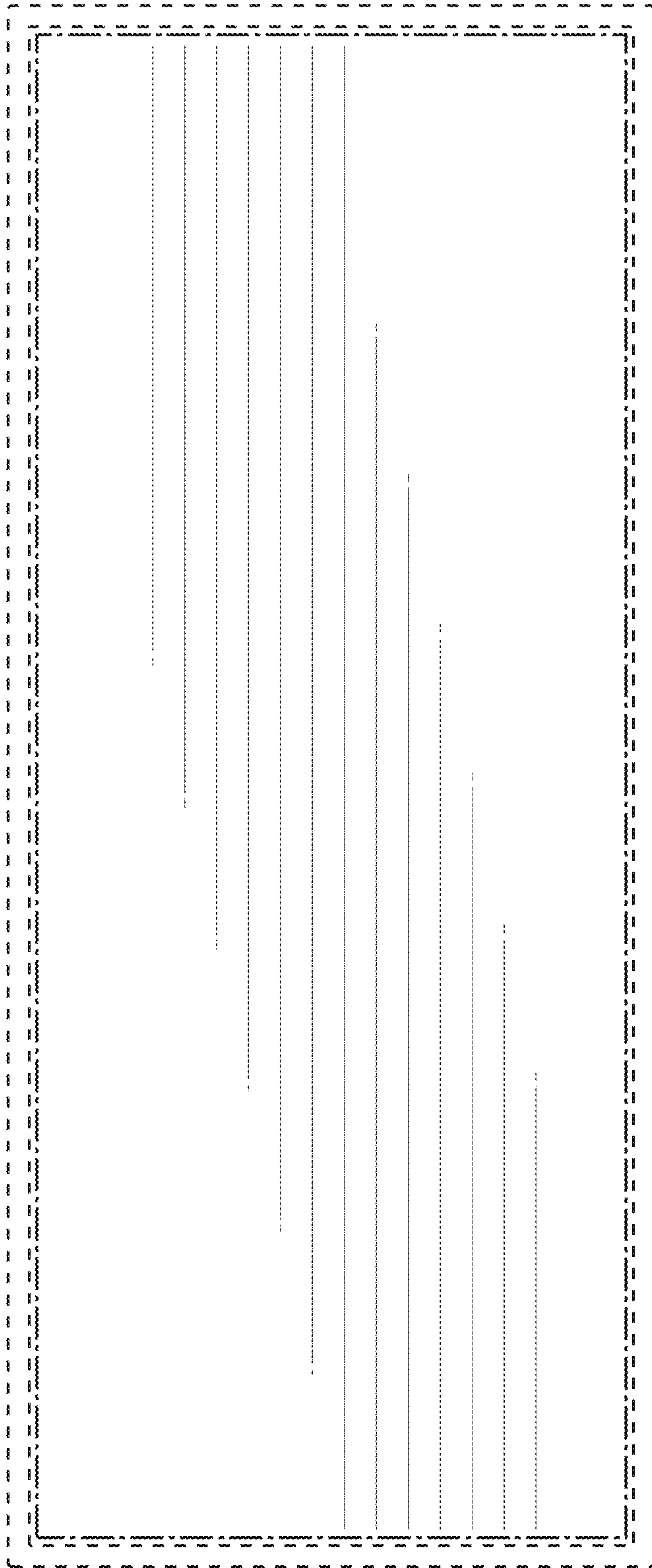


FIG. 7

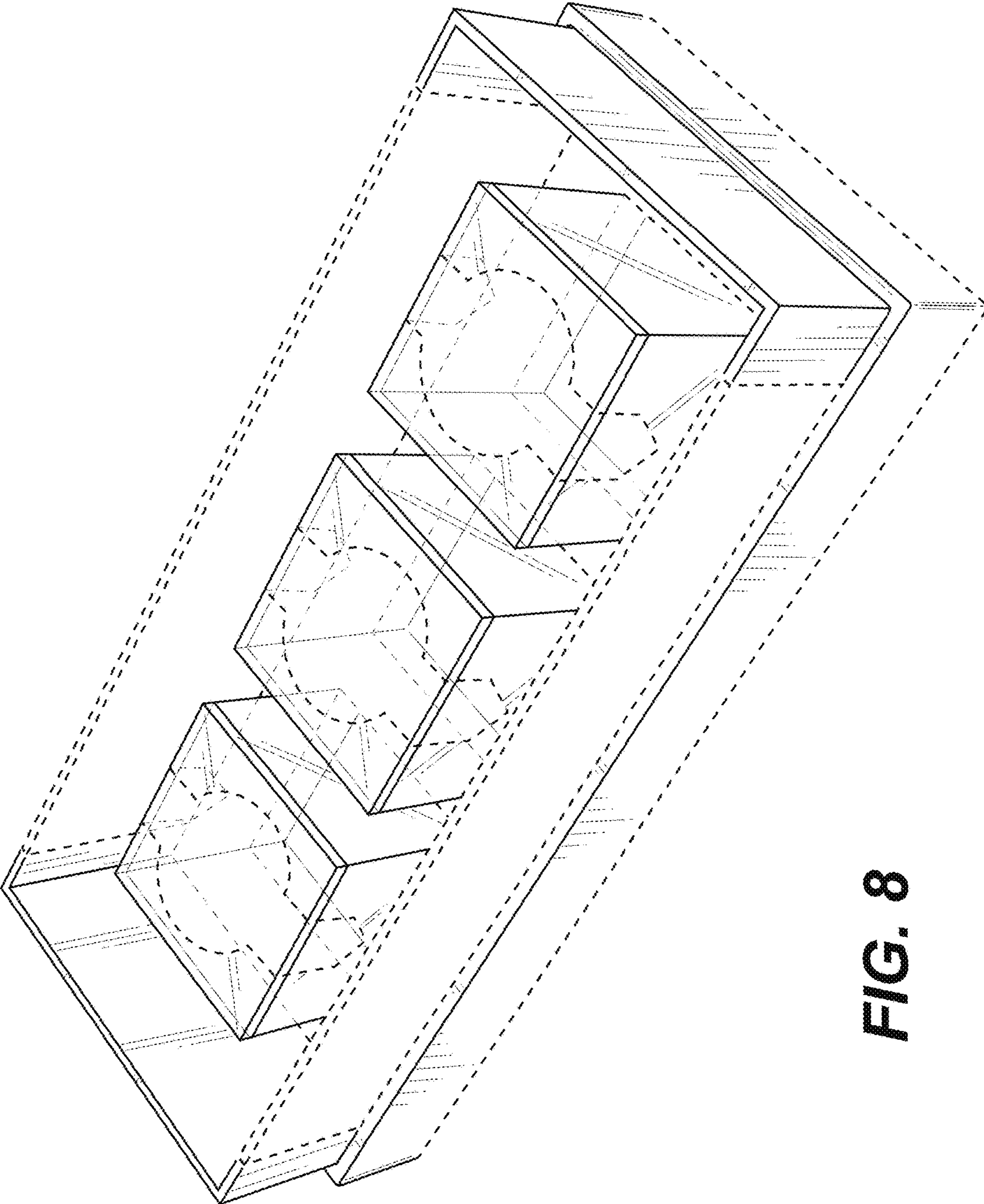


FIG. 8

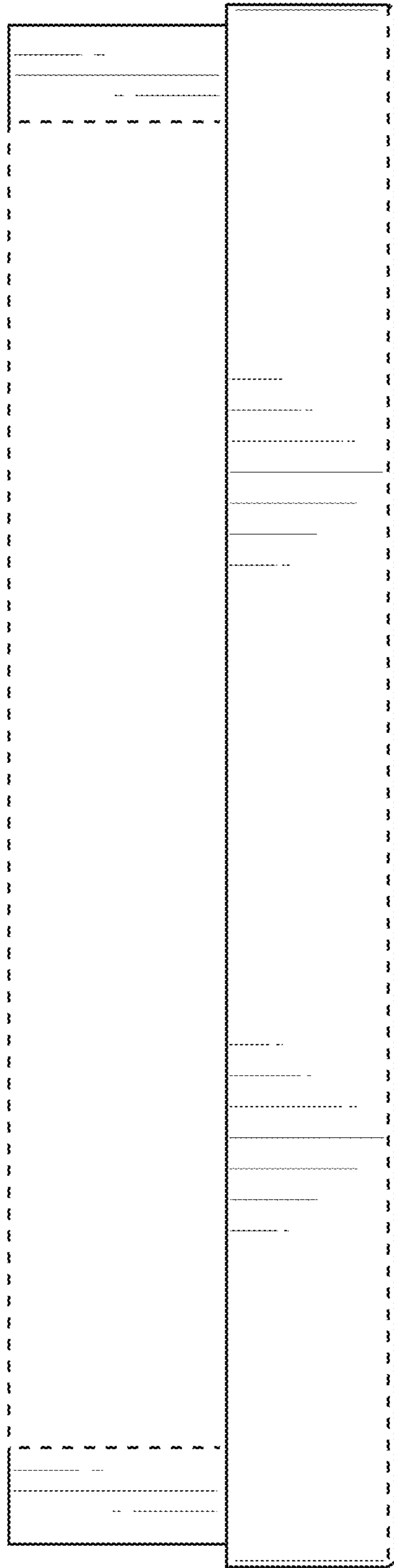


FIG. 9

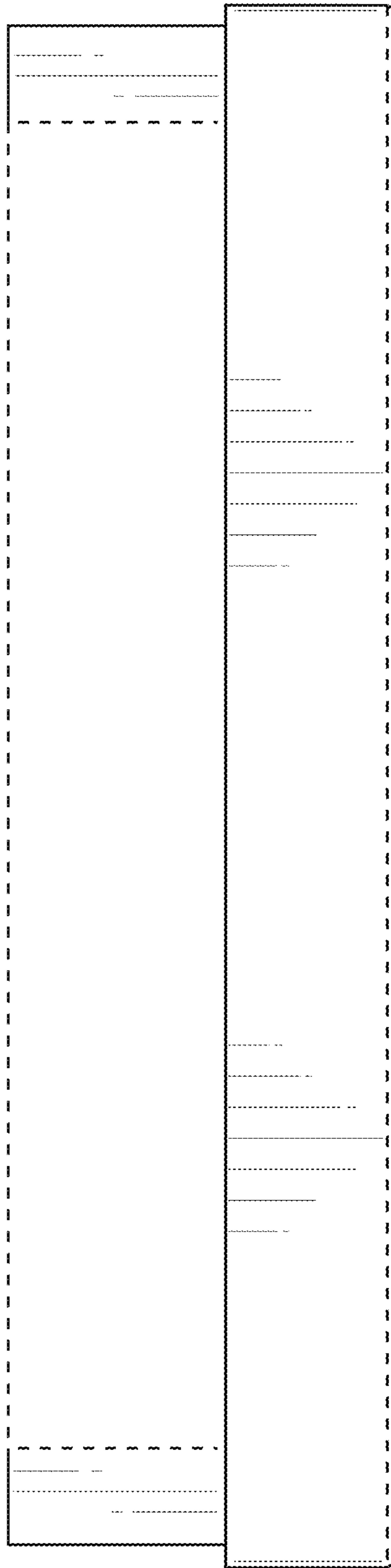


FIG. 10

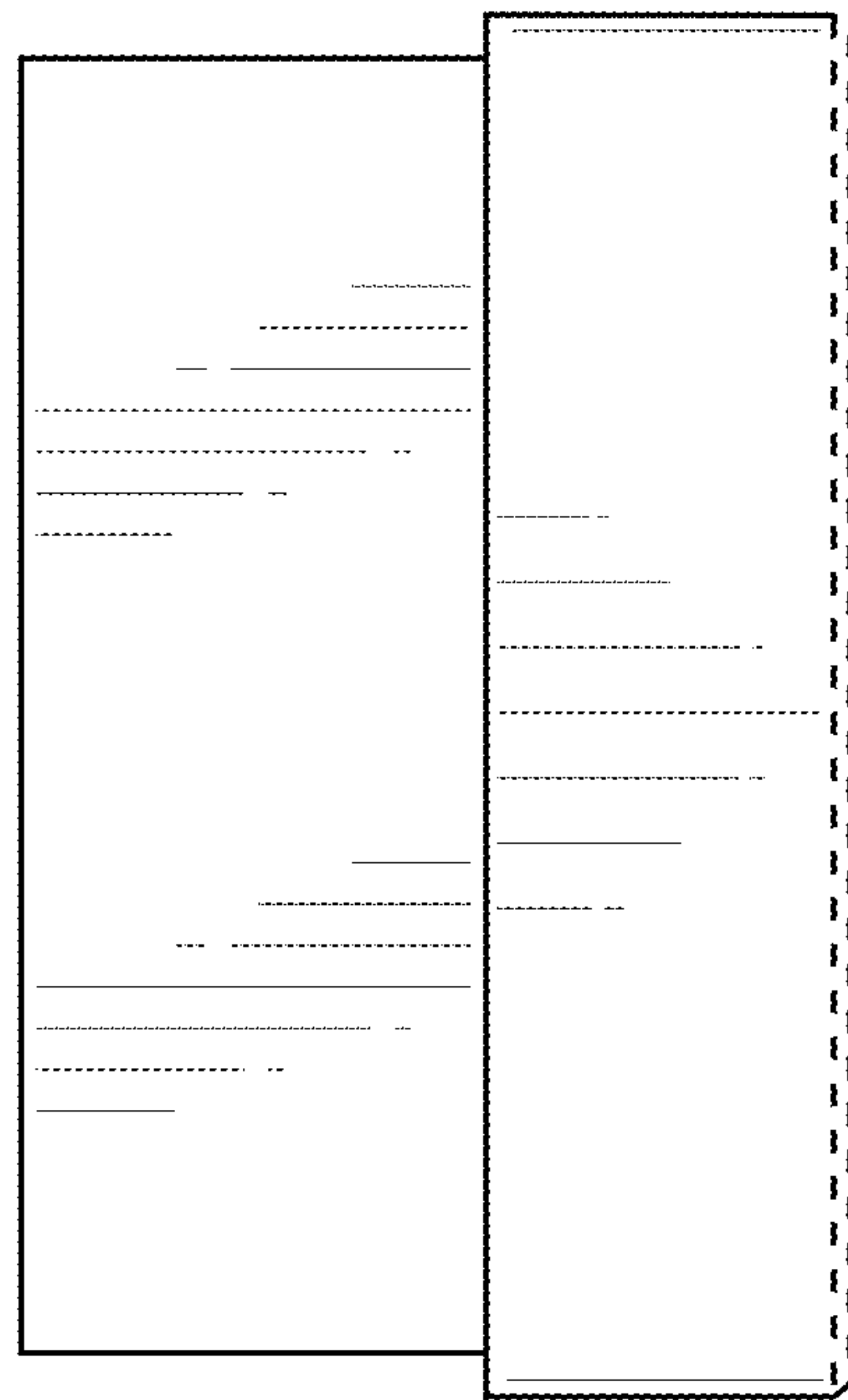


FIG. 11

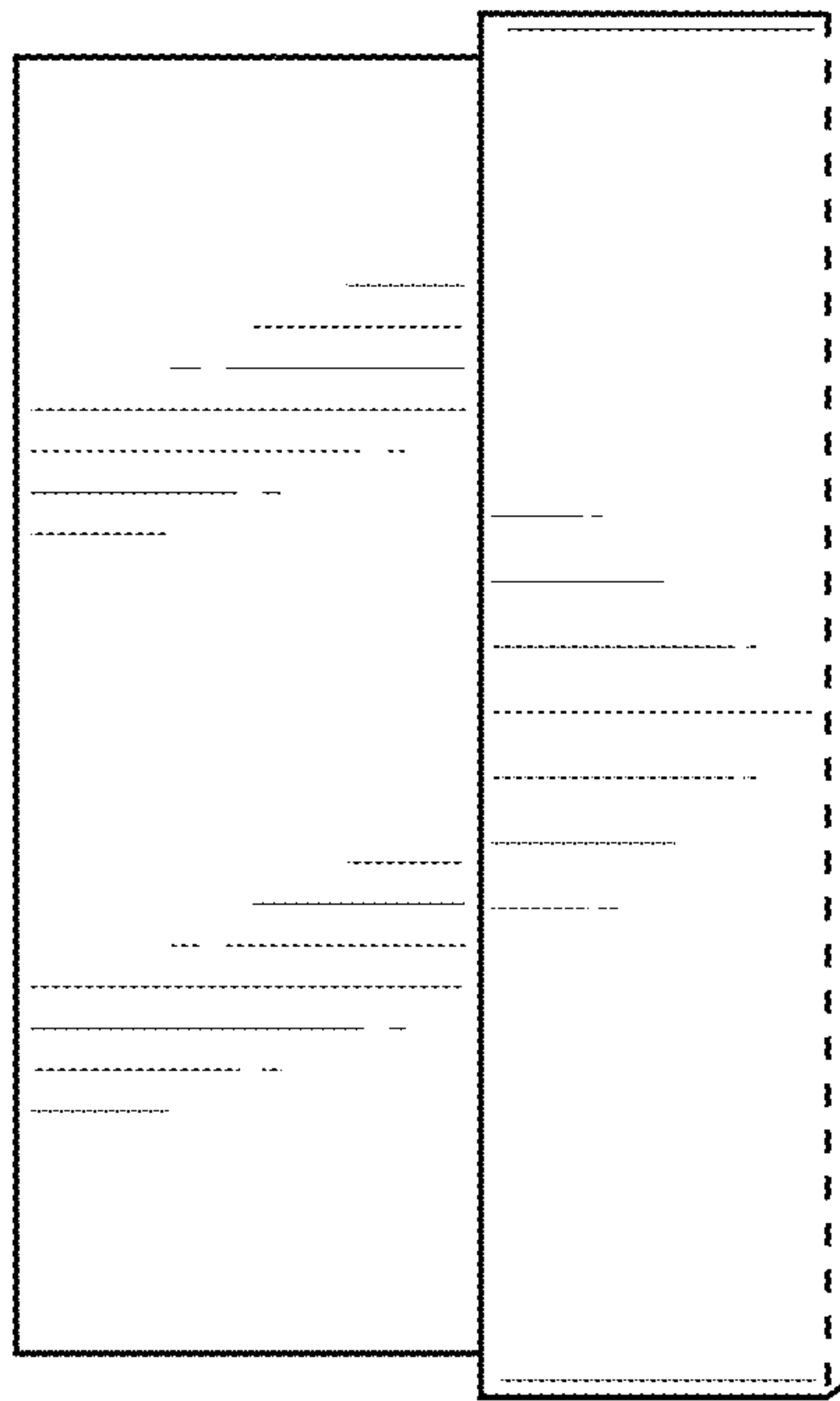


FIG. 12

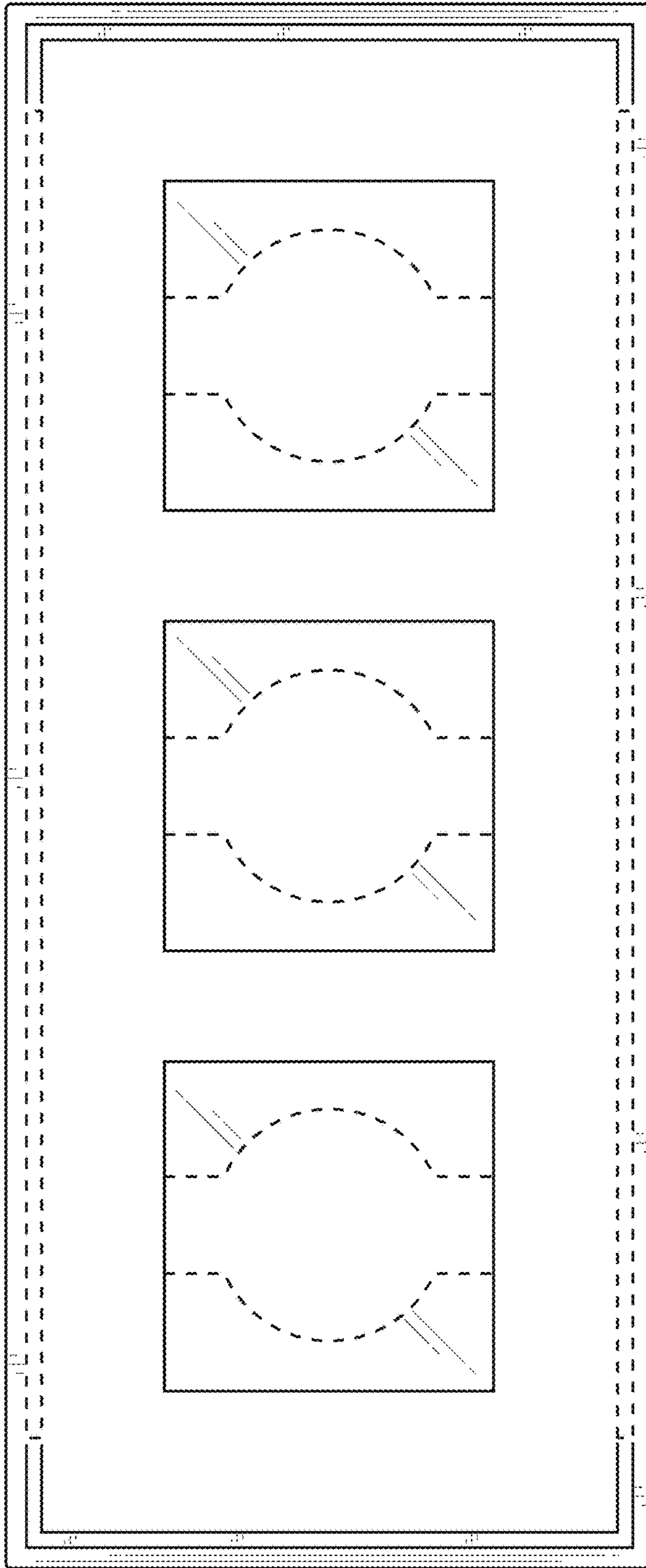


FIG. 13

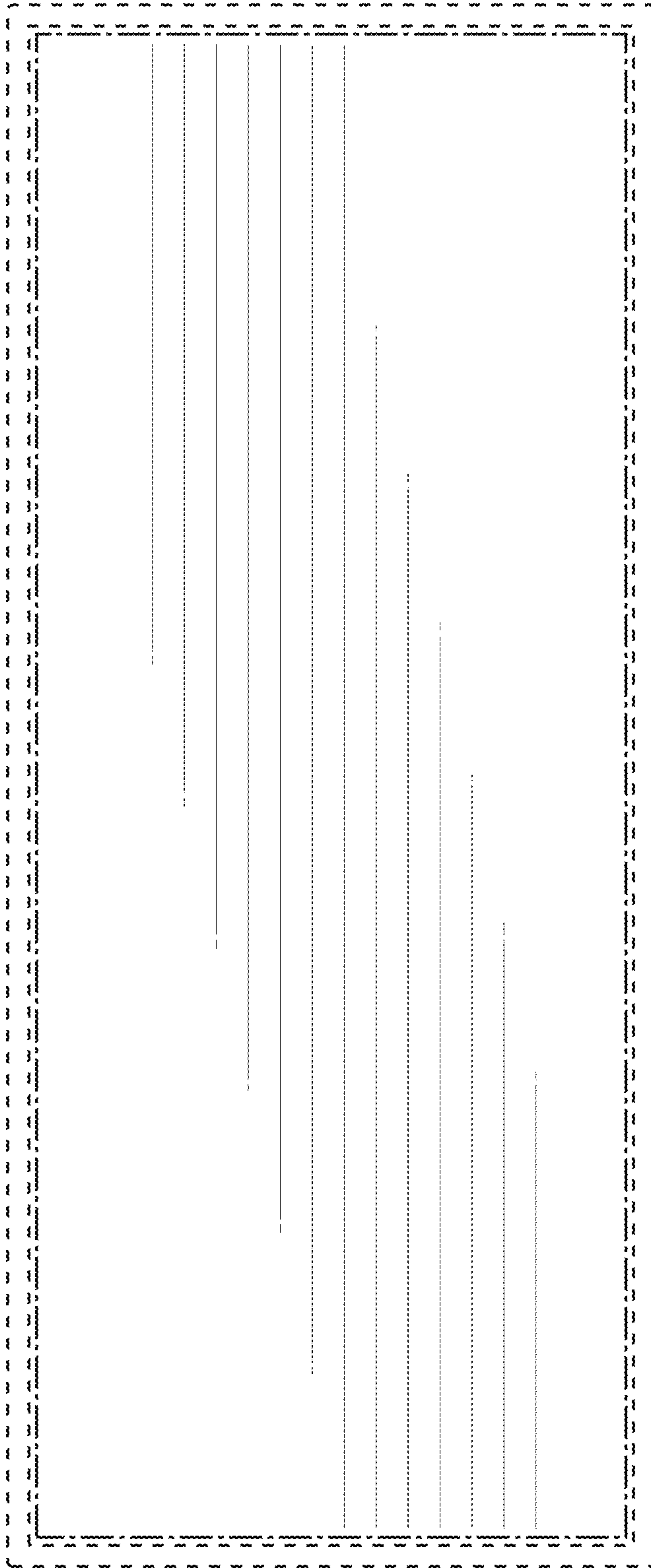


FIG. 14

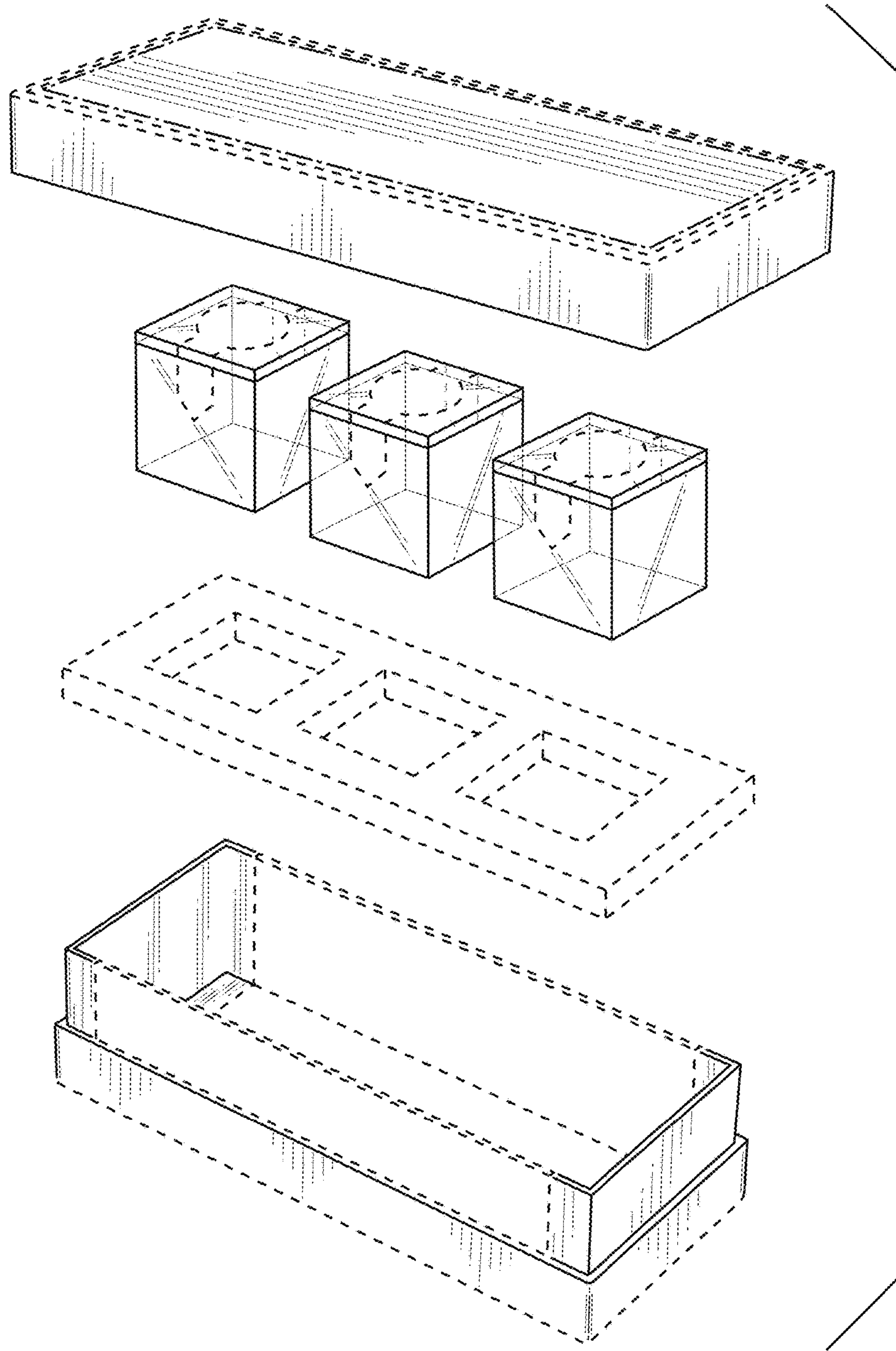


FIG. 15