



US00D845785S

(12) **United States Design Patent** (10) **Patent No.:** **US D845,785 S**
Ferraro et al. (45) **Date of Patent:** **** Apr. 16, 2019**

(54) **FOOD POUCH**

(71) Applicant: **General Mills, Inc.**, Minneapolis, MN (US)
 (72) Inventors: **Brandon Ferraro**, Edina, MN (US);
Harrison Clark, Minneapolis, MN (US)
 (73) Assignee: **General Mills, Inc.**, Minneapolis, MN (US)

(**) Term: **15 Years**

(21) Appl. No.: **29/636,625**

(22) Filed: **Feb. 9, 2018**

(51) **LOC (11) Cl.** **09-05**

(52) **U.S. Cl.**
USPC **D9/708**

(58) **Field of Classification Search**

USPC D9/702-714, 720-722, 414, 434-435,
 D9/696, 716, 771, 447, 516-517,
 D9/738-747, 544, 520-521; D24/118,
 D24/207, 108; 383/6, 9, 22, 96, 61.1,
 383/80-81, 104, 901, 63, 203, 107,
 383/119-120, 123, 61.2, 44; 220/675,
 220/495.03; 215/381-385, 400, 328, 316;
 206/484; D3/202; 428/34.3; 222/92,
 222/215, 95, 107; 604/408, 403, 415
 CPC ... B65D 1/00; B65D 1/02; B65D 1/09; B65D
 1/10; B65D 1/32; B65D 1/0223; B65D
 33/00; B65D 33/24; A61J 1/10

See application file for complete search history.

(56) **References Cited**

U.S. PATENT DOCUMENTS

D573,037 S *	7/2008	Murray	D9/710
D580,782 S *	11/2008	Murray	D9/707
D594,752 S *	6/2009	Medema	D9/707
D640,565 S *	6/2011	Tsuruta	D9/702
D674,707 S *	1/2013	Berman	D9/710
D698,663 S *	2/2014	Lin	D9/707
D744,352 S *	12/2015	Quarles	D9/707

* cited by examiner

Primary Examiner — Abraham Bahta

(74) *Attorney, Agent, or Firm* — Diederiks & Whitelaw, PLLC; Annette M. Frawley, Esq.

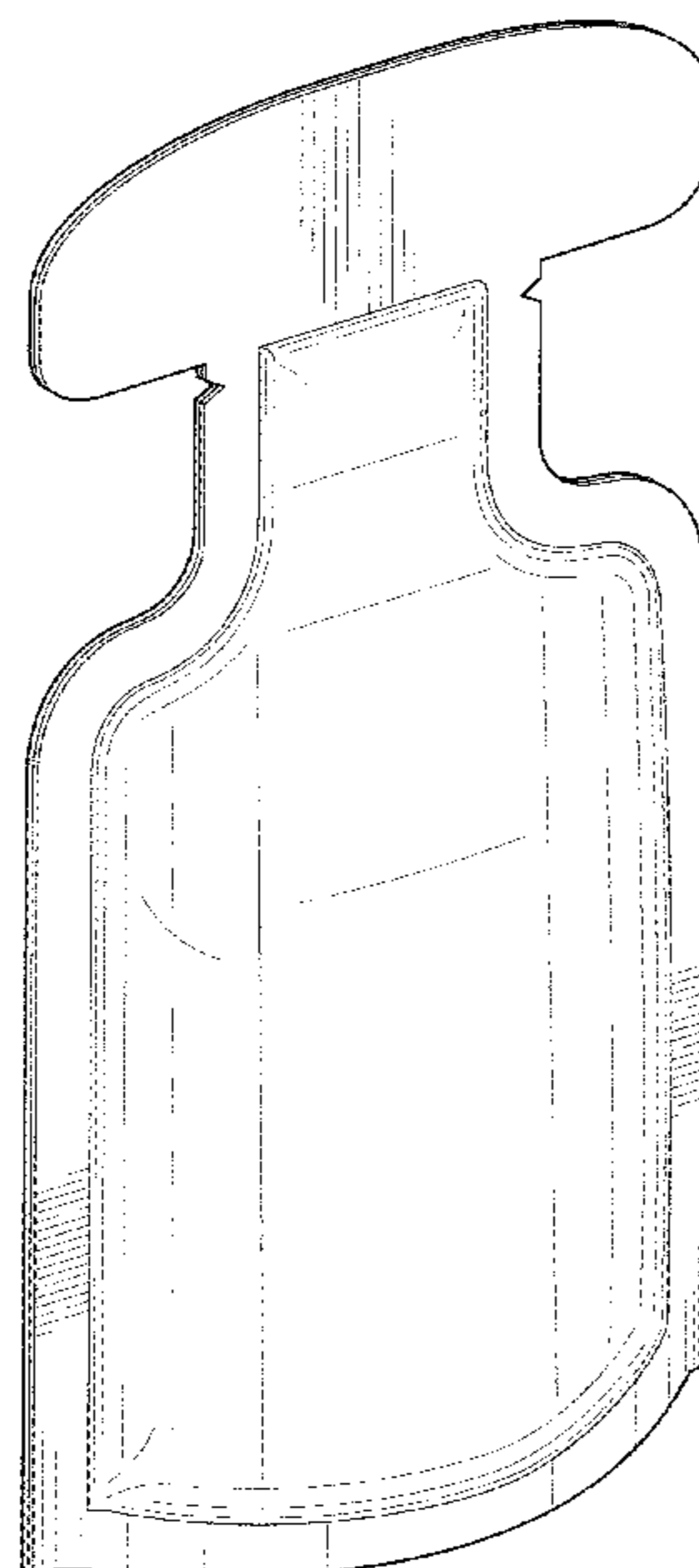
(57) **CLAIM**

The ornamental design for a food pouch, as shown and described.

DESCRIPTION

FIG. 1 is a perspective view of the food pouch according to the present design;
 FIG. 2 is a front elevational view of the food pouch, with the rear view being a mirror image thereof;
 FIG. 3 is right side elevational view of the food pouch, with the left side view being a mirror image thereof;
 FIG. 4 is a top view of the food pouch; and,
 FIG. 5 is a bottom view of the food pouch.

1 Claim, 4 Drawing Sheets



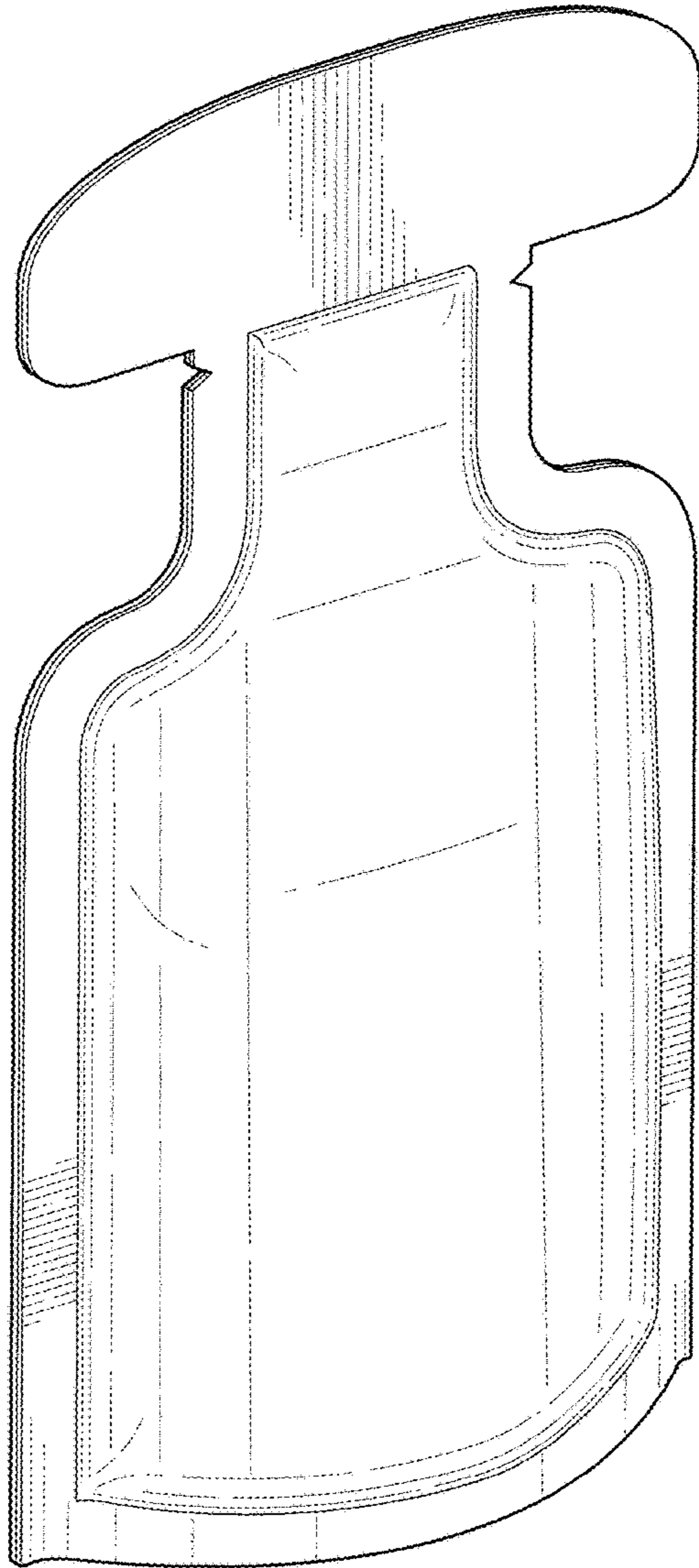


FIG. 1

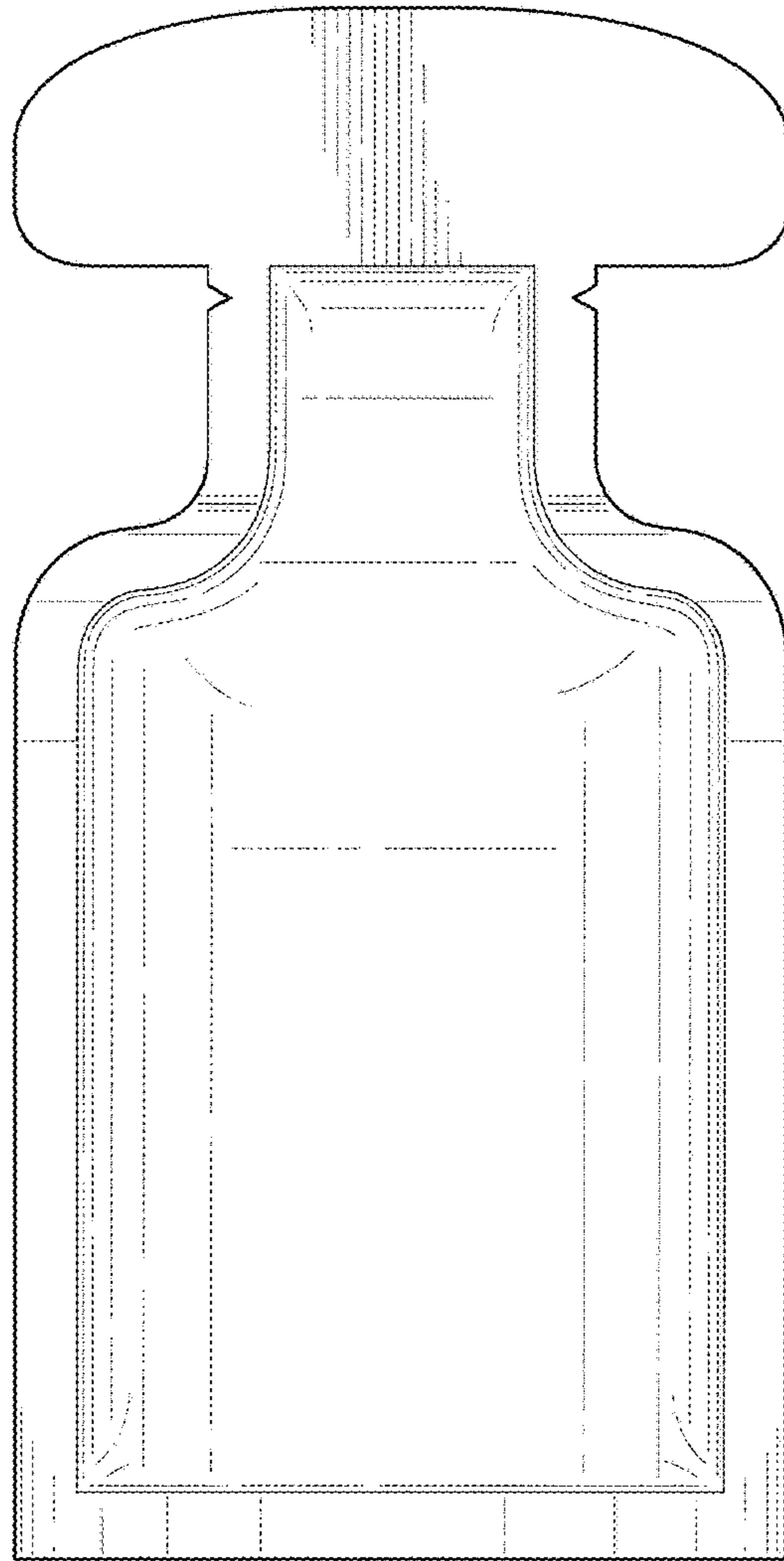


FIG. 2

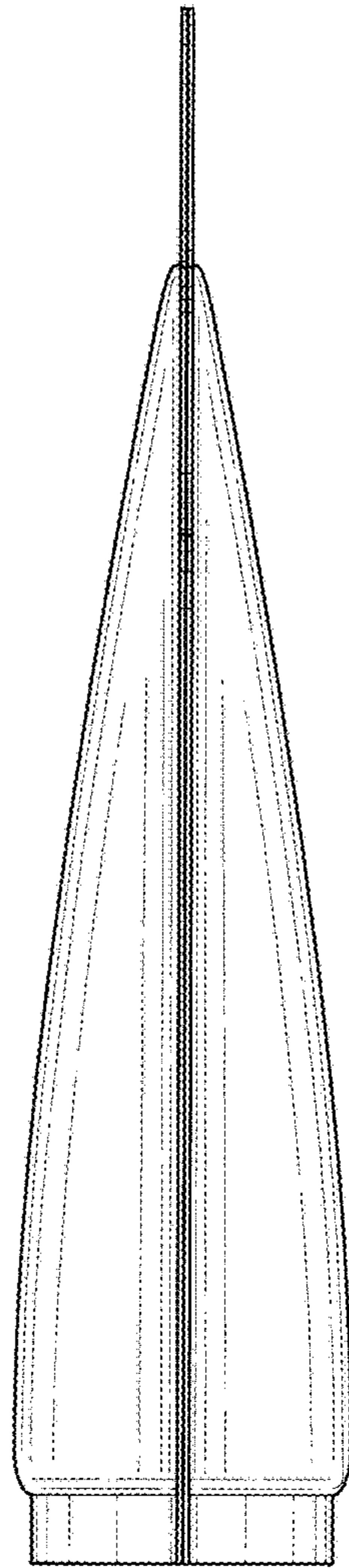


FIG. 3

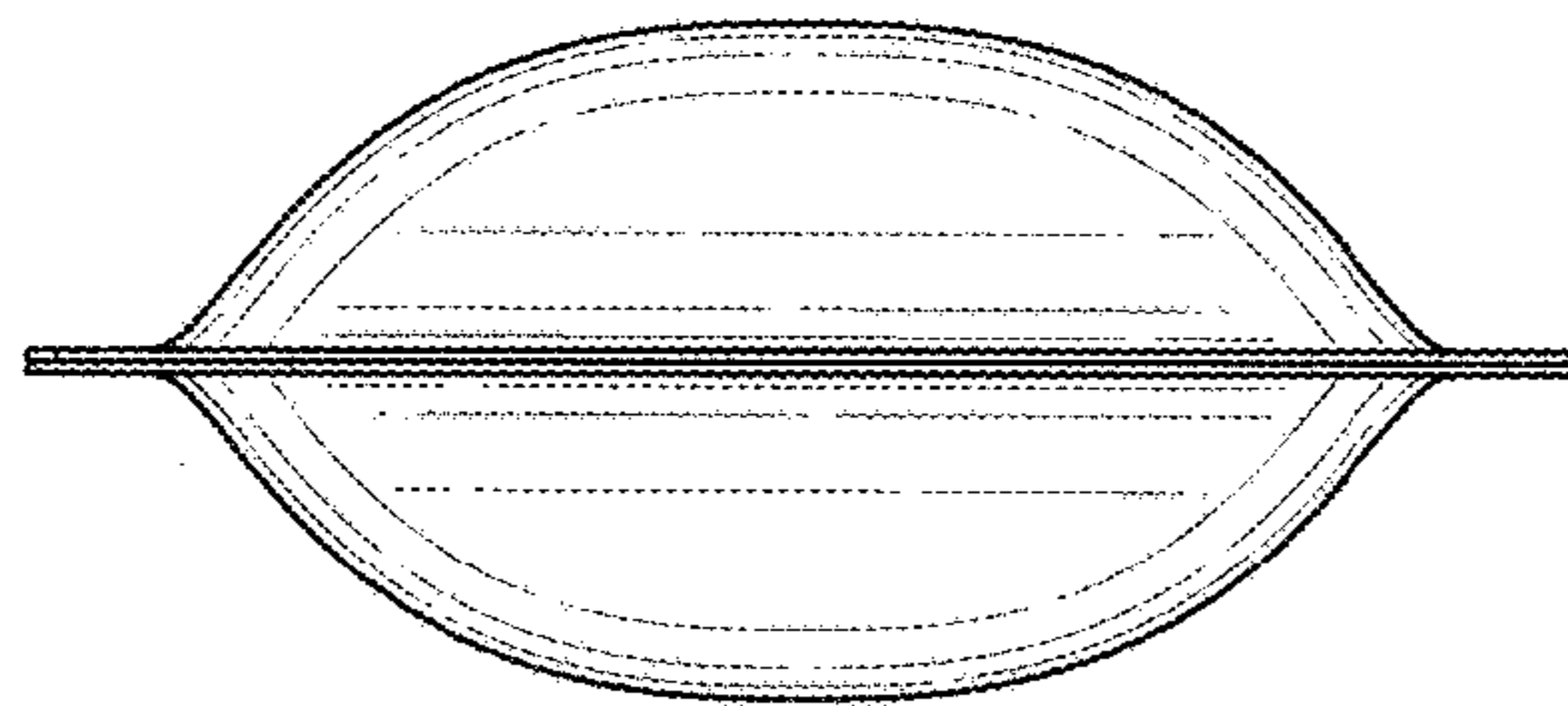


FIG. 4

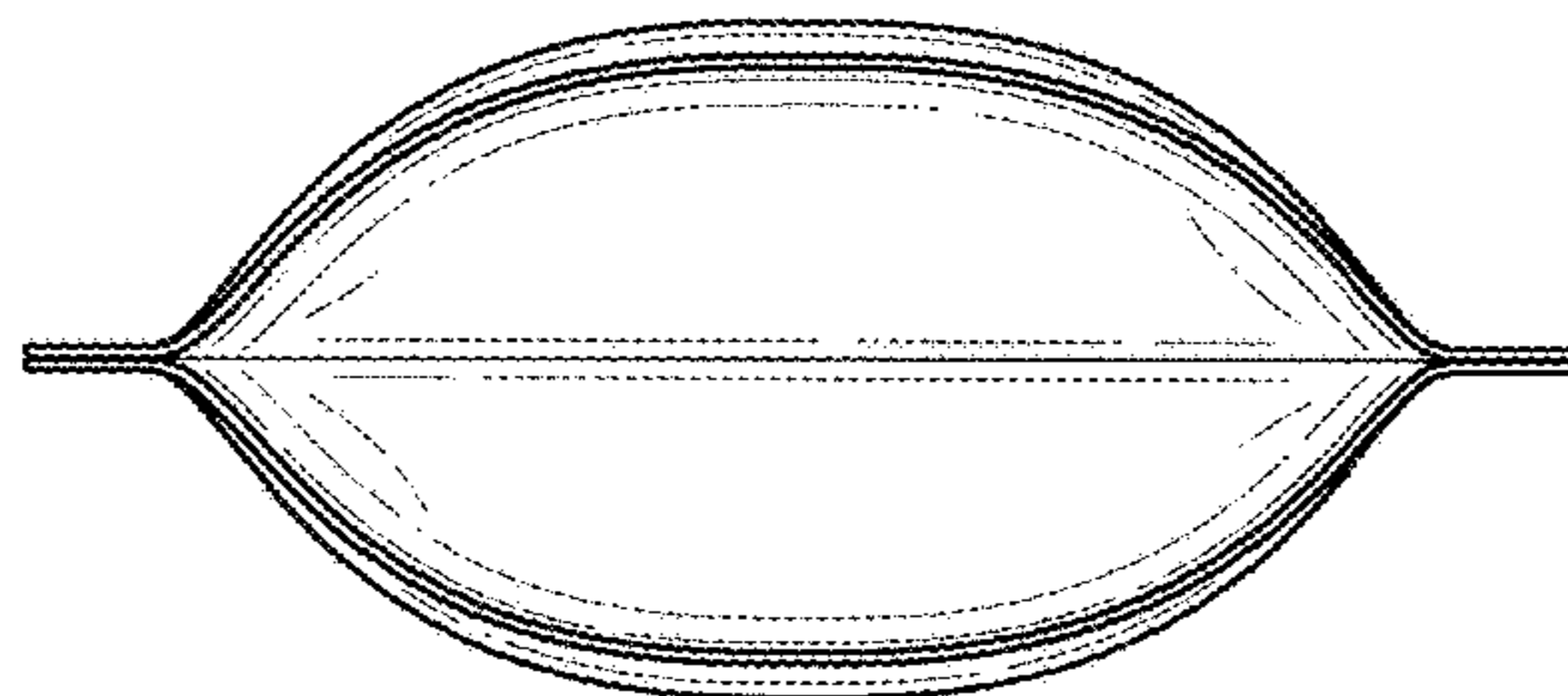


FIG. 5