



US00D845780S

(12) **United States Design Patent**  
**Chersonsky**

(10) **Patent No.:** **US D845,780 S**

(45) **Date of Patent:** **\*\* Apr. 16, 2019**

(54) **BOTTLE**

(71) Applicant: **Eco Alpha Ltd**, Ramat Hasharon (IL)

(72) Inventor: **Ehoud Chersonsky**, Herzelia (IL)

(73) Assignee: **Eco Alpha Ltd**, Ramat Hasharon (IL)

(\*\*) Term: **15 Years**

(21) Appl. No.: **29/660,391**

(22) Filed: **Aug. 21, 2018**

(51) **LOC (11) Cl.** ..... **09-01**

(52) **U.S. Cl.**

USPC ..... **D9/538**; D9/454; D9/502; D9/520;  
D9/539; D9/550; D9/557

(58) **Field of Classification Search**

USPC ..... D9/434-435, 454, 500, 502-503, 516,  
D9/520, 530, 537-539, 549, 550,  
D9/557-558

CPC ..... B65D 1/00; B65D 1/02; B65D 1/0223;  
B65D 23/00; B65D 81/00; B65D  
2501/00; B65D 2501/0009

See application file for complete search history.

(56) **References Cited**

**U.S. PATENT DOCUMENTS**

D147,630 S	*	10/1947	Allen	.....	D9/520
D149,394 S	*	4/1948	Allen	.....	D9/520
D213,672 S	*	4/1969	Dearling	.....	D9/502
D222,851 S	*	1/1972	Adomatis	.....	D9/501
D300,511 S	*	4/1989	Cramer	.....	D9/551

D302,038 S	*	7/1989	Barber	.....	D24/197
D315,409 S	*	3/1991	Baarber	.....	D24/197
D425,793 S	*	5/2000	Walker	.....	D9/503
D428,576 S	*	7/2000	Walker	.....	D9/503
D460,357 S	*	7/2002	Kras	.....	D9/435
D461,417 S	*	8/2002	Jerome	.....	D9/537
D518,724 S	*	4/2006	Arih	.....	D9/502
D542,923 S	*	5/2007	Merkin	.....	D24/197
D596,944 S	*	7/2009	Mueller	.....	D9/516
D611,822 S	*	3/2010	Rajani	.....	D9/520
D815,947 S	*	4/2018	Hurley	.....	D9/502
2004/0182047 A1	*	9/2004	Thierjung	.....	B65D 1/023 53/421

\* cited by examiner

*Primary Examiner* — Dana Meyrow

(57) **CLAIM**

The ornamental design for a bottle, as shown and described.

**DESCRIPTION**

FIG. 1 is a perspective view of a bottle in accordance with the present invention;

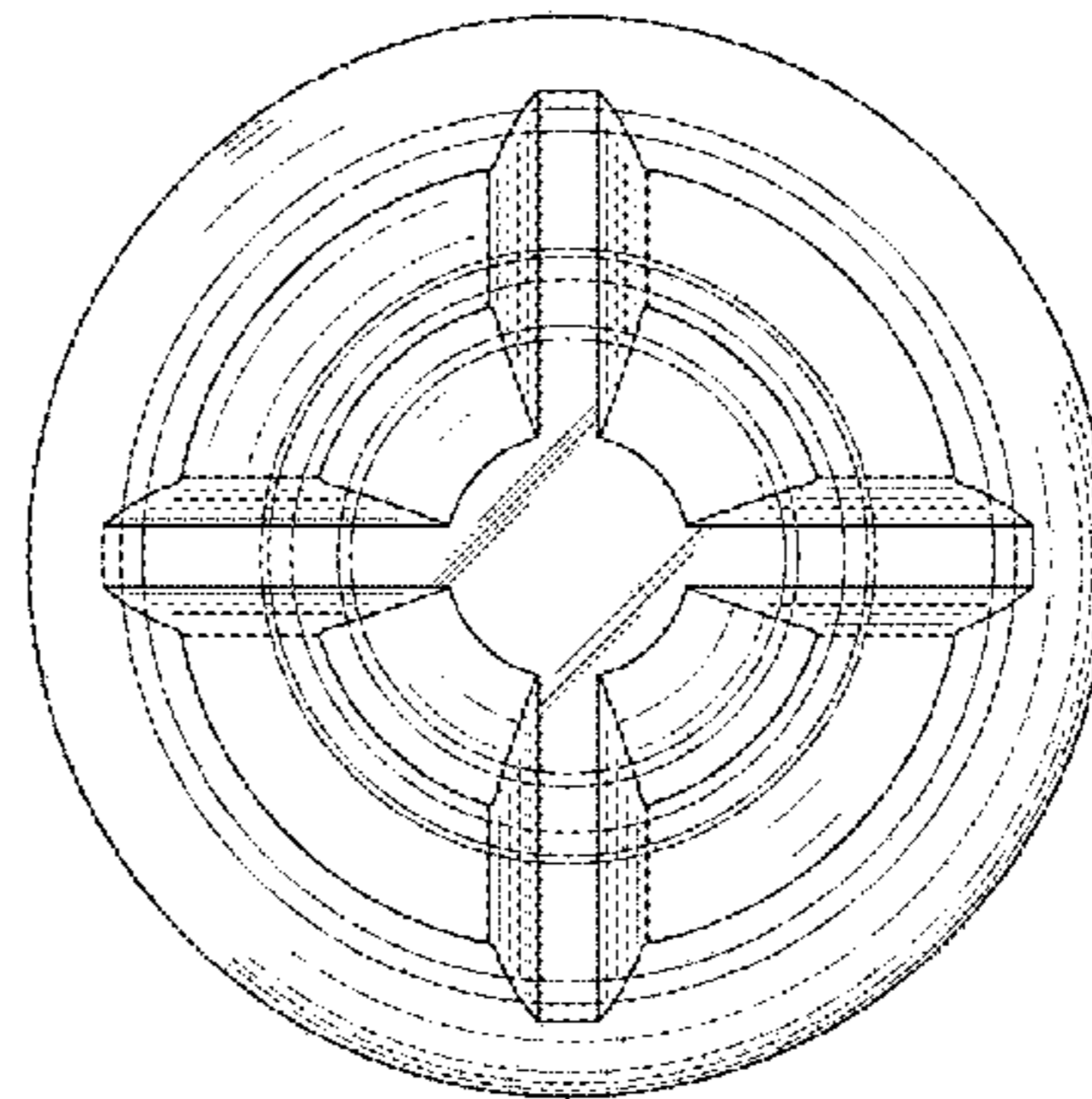
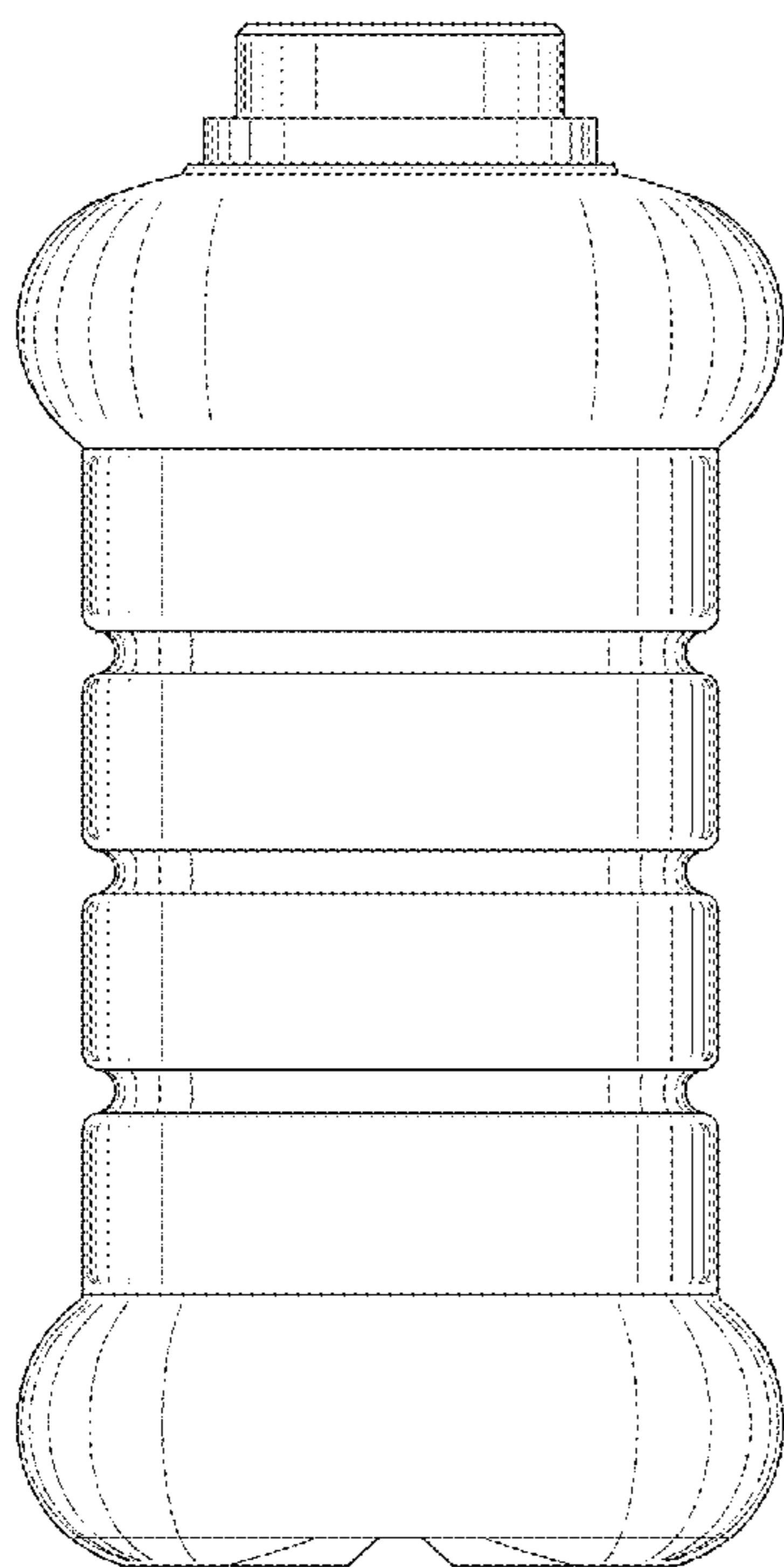
FIG. 2 is a front view of the present invention illustrated in FIG. 1;

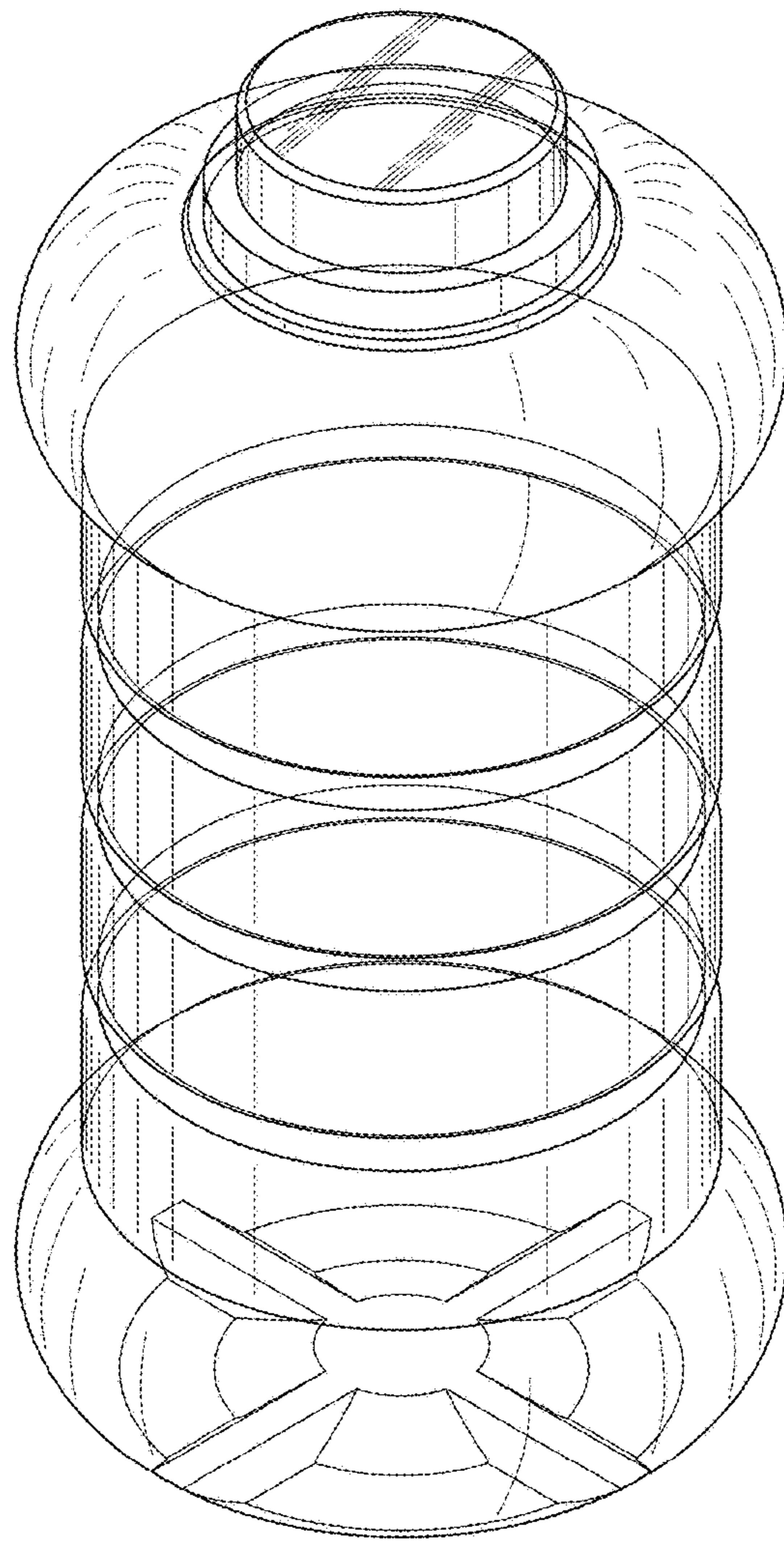
FIG. 3 is a top view of the present invention illustrated in FIG. 1; and,

FIG. 4 is a bottom view of the present invention illustrated in FIG. 1.

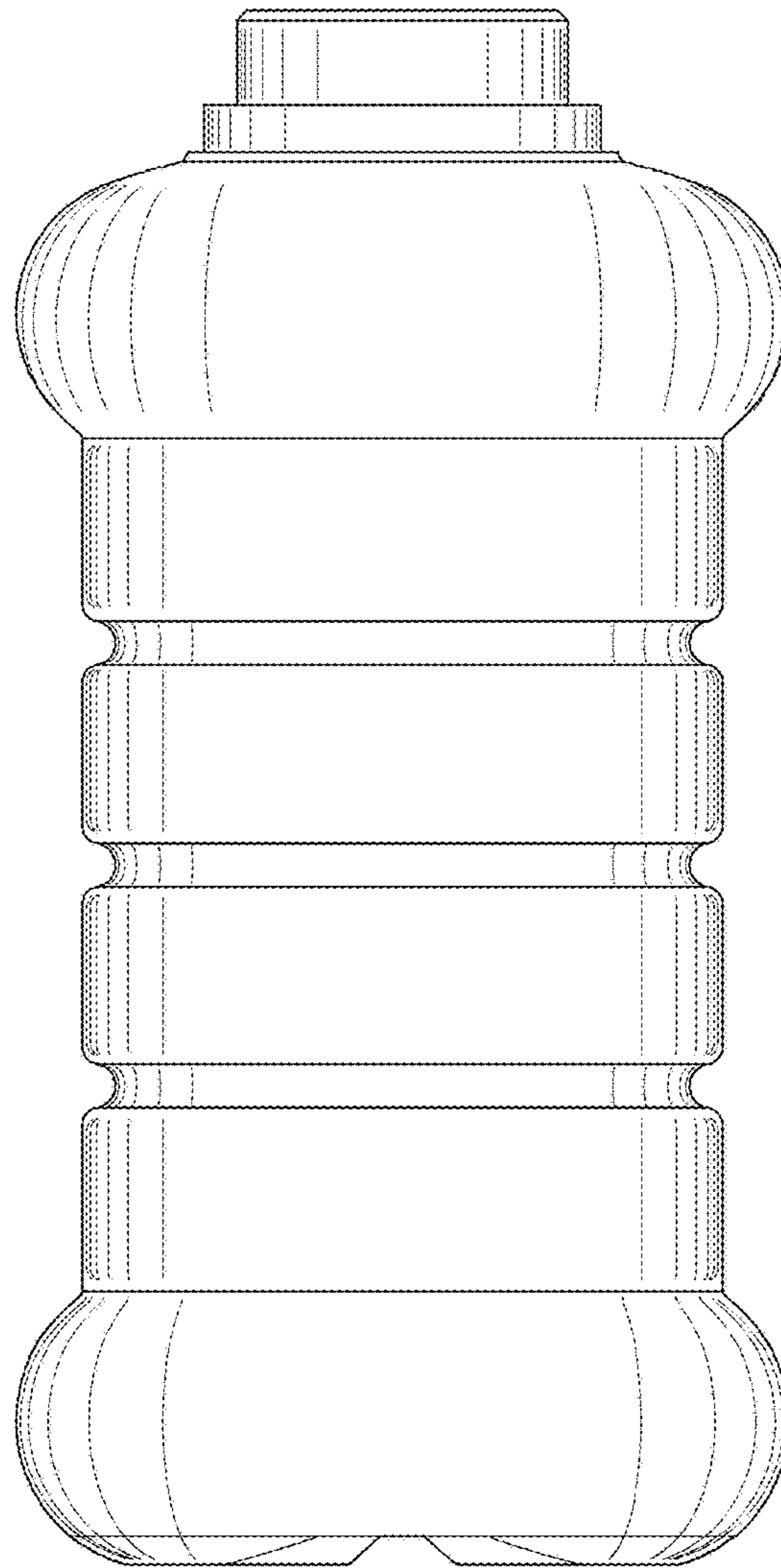
The left-side view, the right-side view and the back view are all identical to the front view as illustrated therein in FIG. 2.

**1 Claim, 3 Drawing Sheets**

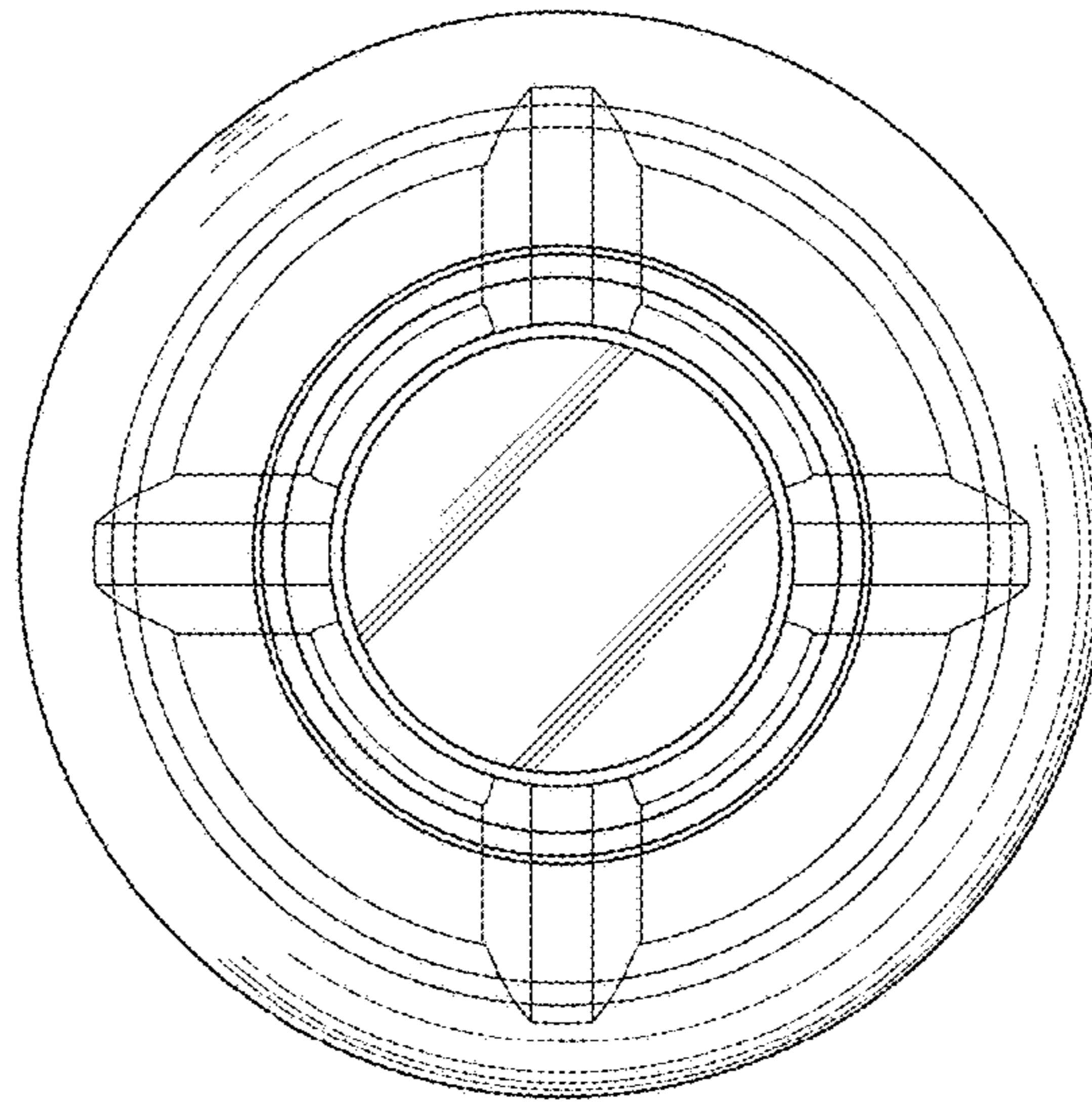




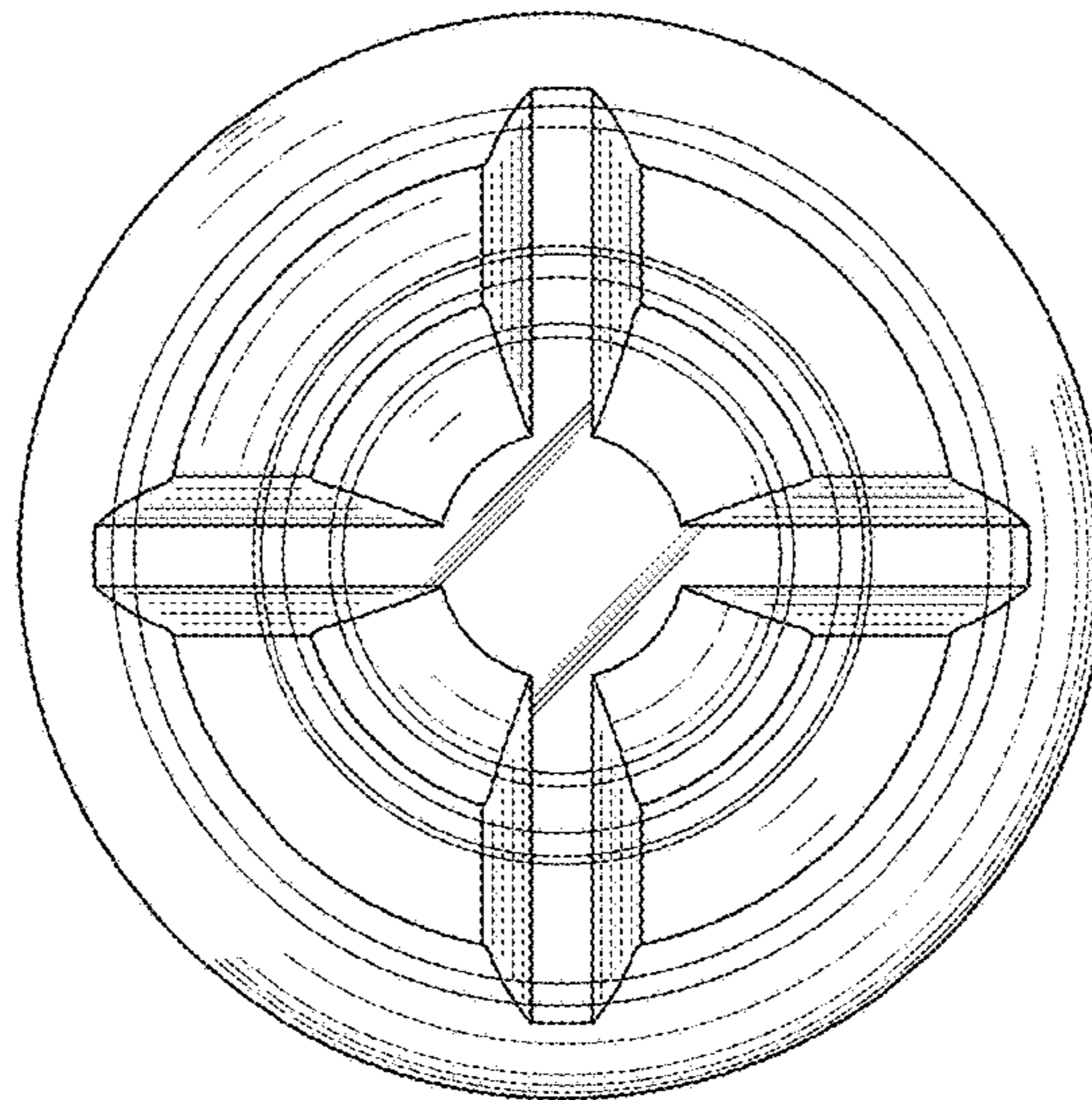
*FIG. 1*



*FIG. 2*



*FIG. 3*



*FIG. 4*