



US00D845777S

(12) **United States Design Patent**  
**Faillant Dumas**

(10) **Patent No.:** **US D845,777 S**  
(45) **Date of Patent:** **\*\* Apr. 16, 2019**

(54) **PERFUME BOTTLE**  
(71) Applicant: **Carolina Herrera Ltd**, New York, NY  
(US)  
(72) Inventor: **Jérôme Faillant Dumas**, Paris (FR)  
(73) Assignee: **CAROLINA HERRERA LTD.**, New  
York, NY (US)

D746,261 S \* 12/2015 Silvera ..... D14/207  
D758,868 S \* 6/2016 Bretschneider ..... D9/520  
D787,884 S \* 5/2017 Bartlett ..... D3/202  
D797,382 S \* 9/2017 Haelters ..... D30/121

(Continued)

(\*\*) Term: **15 Years**

(21) Appl. No.: **29/569,472**

(22) Filed: **Jun. 28, 2016**

(51) **LOC (11) Cl.** ..... **09-01**

(52) **U.S. Cl.**  
USPC ..... **D9/522; D9/543**

(58) **Field of Classification Search**  
USPC ..... D9/434-436, 439, 440, 443, 447, 449,  
D9/454, 516, 522, 543, 544, 545, 549,  
D9/550, 552, 554, 557, 558, 571, 715,  
D9/719, 776, 781; D28/76, 77, 82, 91.1;  
D3/202; D7/507, 598  
CPC ..... B65D 47/06; B65D 83/28; B65D 83/68;  
B65D 11/04; B65D 11/10; B65D 25/42;  
B65D 2501/0081

See application file for complete search history.

(56) **References Cited**

U.S. PATENT DOCUMENTS

D254,596 S \* 4/1980 Spigelman ..... D9/522  
4,520,940 A \* 6/1985 Boyd ..... A45F 3/16  
220/375  
D438,096 S \* 2/2001 Lehnert ..... D9/522  
D521,230 S \* 5/2006 Linz ..... D3/202  
D533,185 S \* 12/2006 Ishida ..... D14/203.2  
D645,358 S \* 9/2011 de Monclin ..... D9/522  
D653,847 S \* 2/2012 Seals ..... D3/202  
D702,433 S \* 4/2014 Romley ..... D3/202  
D718,044 S \* 11/2014 Vargo ..... D3/202  
D736,517 S \* 8/2015 Lee ..... D3/202  
D739,651 S \* 9/2015 Hadden ..... D3/202

FOREIGN PATENT DOCUMENTS

EM 002502716-0002 7/2014

OTHER PUBLICATIONS

Decision to grant Russian design application 2016502494.  
Official Search Report issued by the Chilean Patent Office.

*Primary Examiner* — Ian Simmons

*Assistant Examiner* — Keith Frank

(74) *Attorney, Agent, or Firm* — FisherBroyles, LLP;  
Jason M. Pass

(57) **CLAIM**

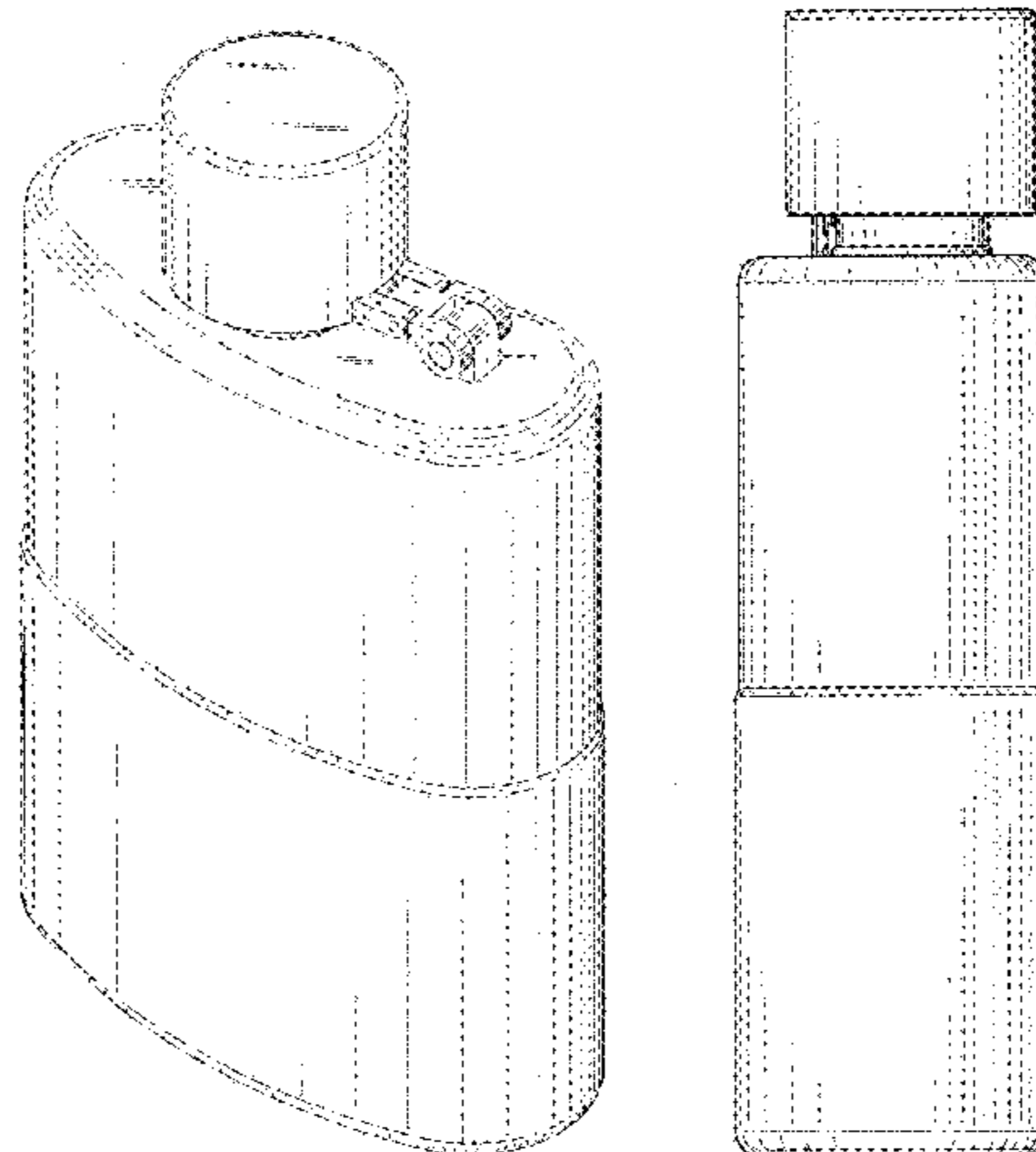
The ornamental design for a perfume bottle, as shown and  
described.

**DESCRIPTION**

FIG. 1 is a perspective view of a perfume bottle according  
to my design;  
FIG. 2 is a front elevational view of the perfume bottle of  
FIG. 1;  
FIG. 3 is a left side elevational view of the perfume bottle  
of FIG. 1;  
FIG. 4 is a top view of the perfume bottle of FIG. 1;  
FIG. 5 is a right side elevational view of the perfume bottle  
of FIG. 1;  
FIG. 6 is a bottom view of the perfume bottle of FIG. 1; and,  
FIG. 7 is a rear elevational view of the perfume bottle of  
FIG. 1.

The broken lines in the drawings showing the perfume bottle  
illustrate the portions of the perfume bottle that form no part  
of the claimed design.

**1 Claim, 7 Drawing Sheets**



(56)

**References Cited**

U.S. PATENT DOCUMENTS

D804,446 S \* 12/2017 Tang ..... D14/207  
D806,379 S \* 1/2018 Korfonta ..... D3/202

\* cited by examiner

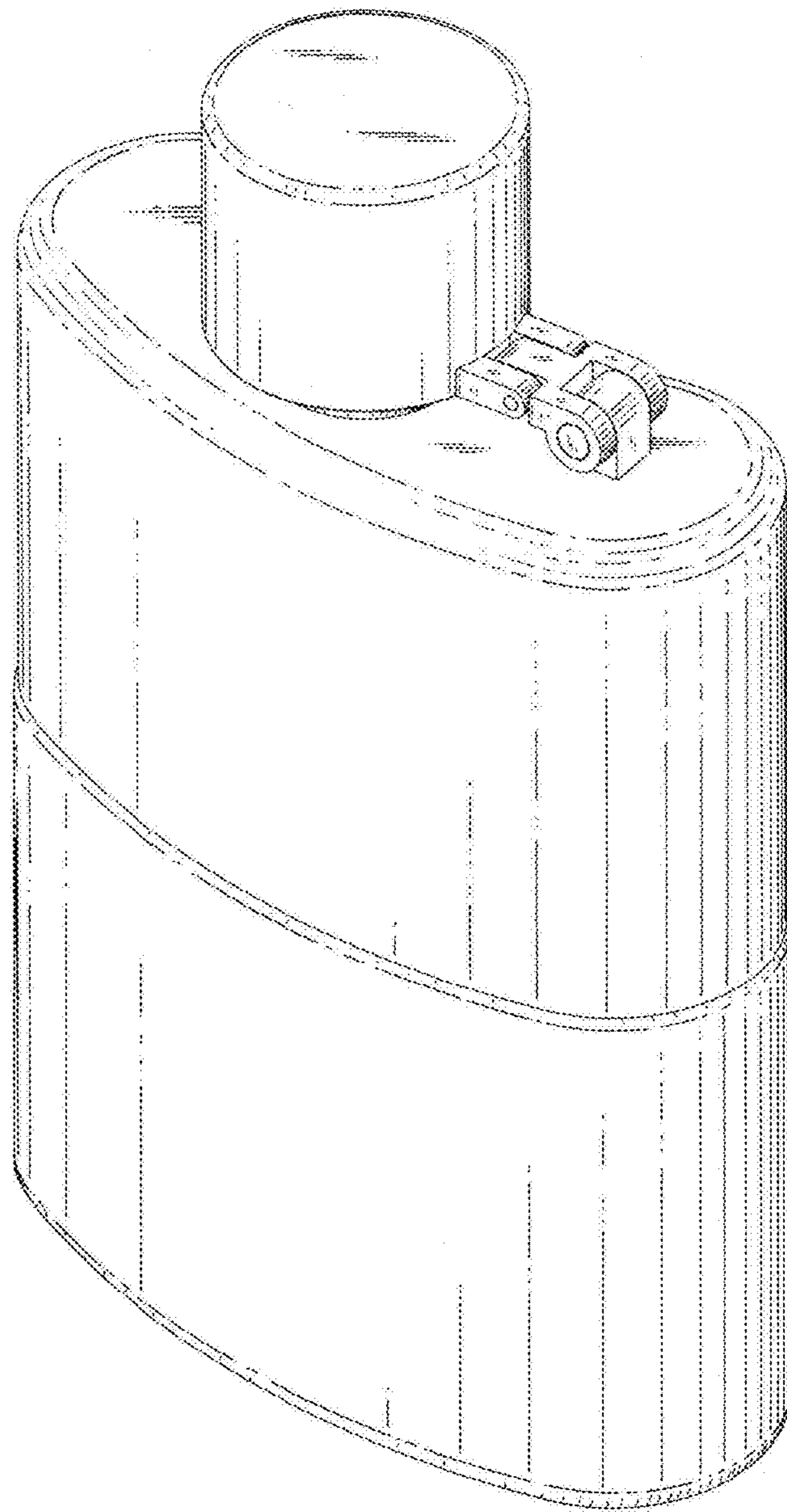


FIG. 1

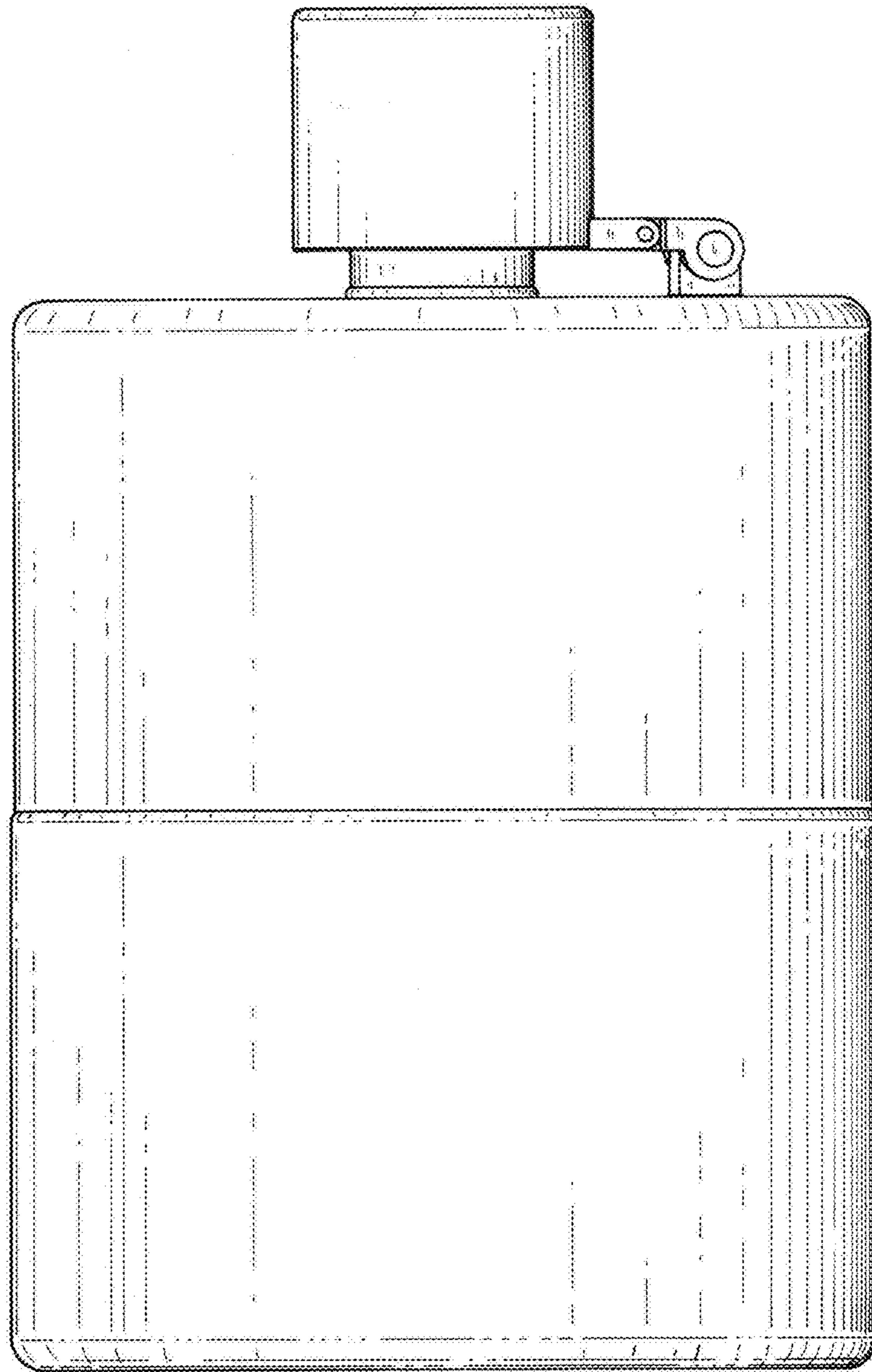


FIG. 2



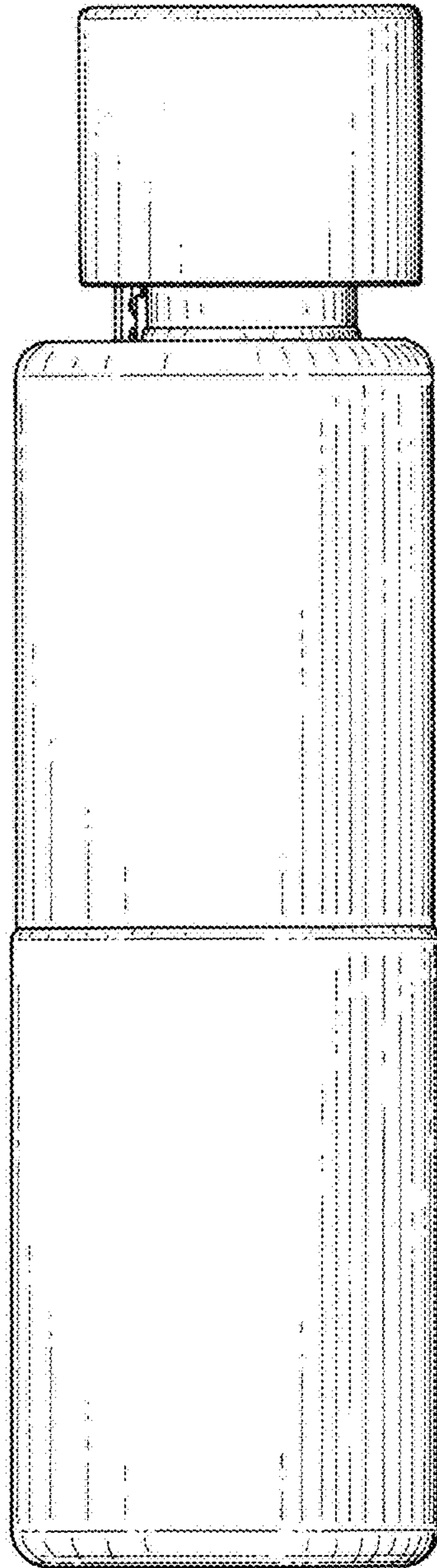


FIG. 3

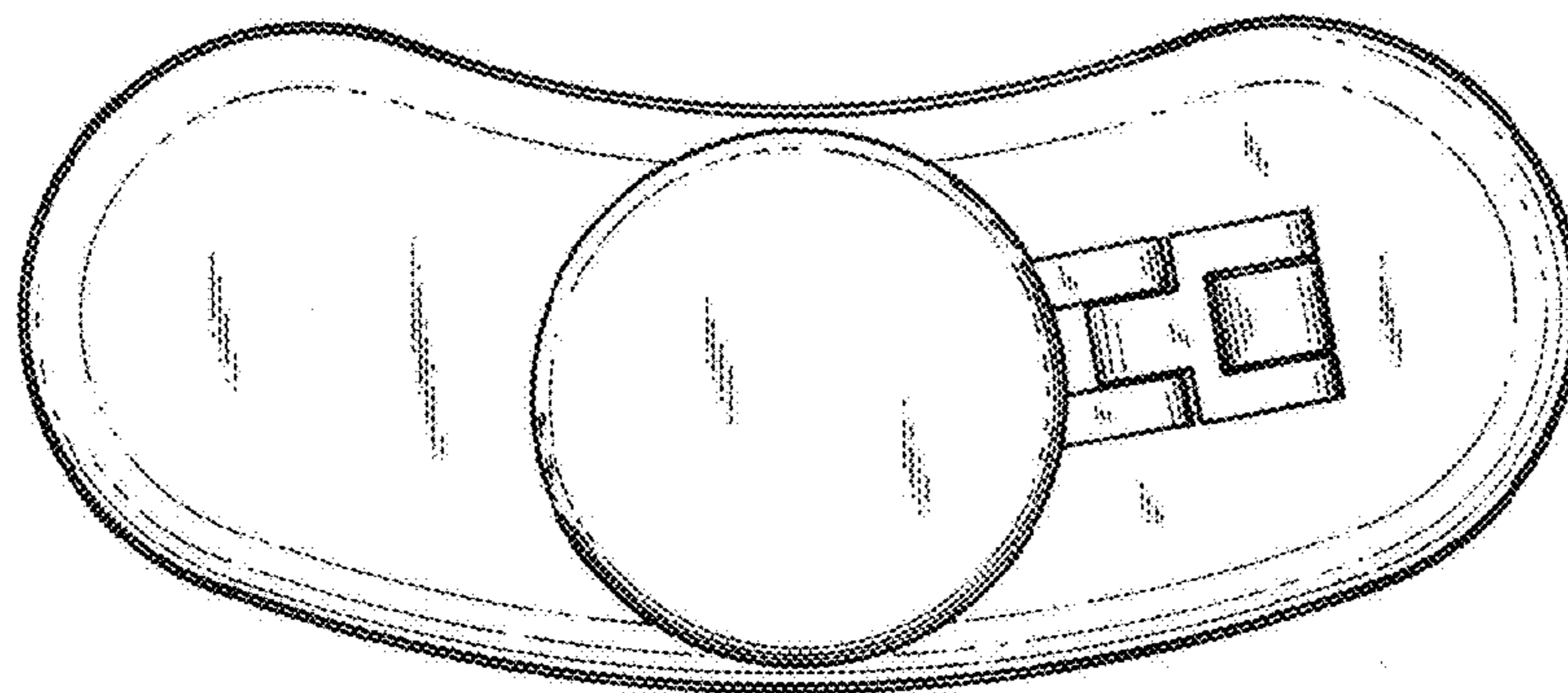


FIG. 4

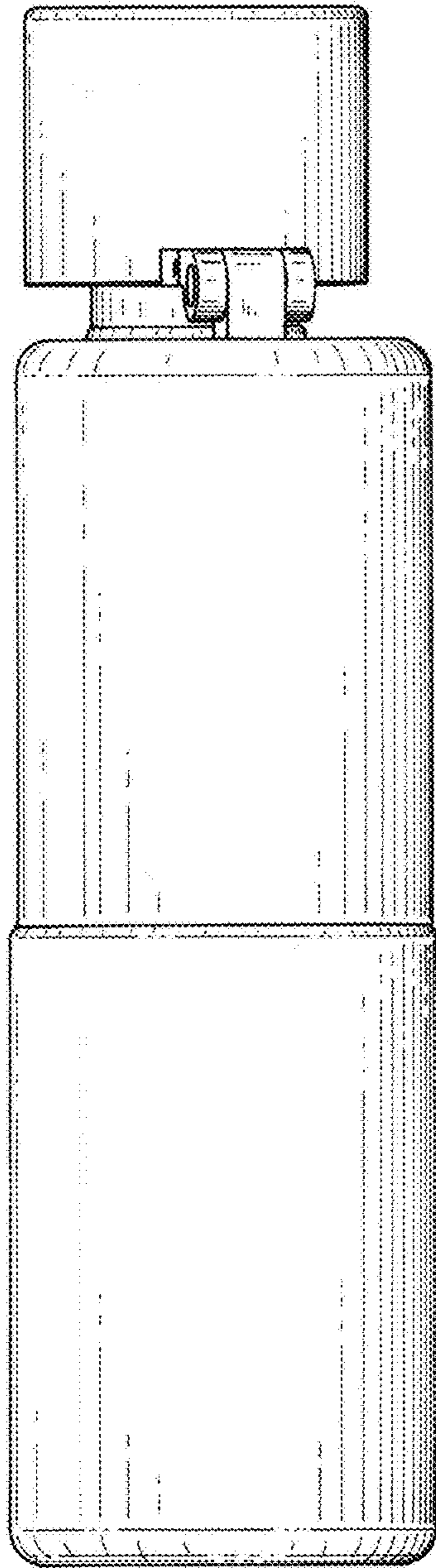


FIG. 5

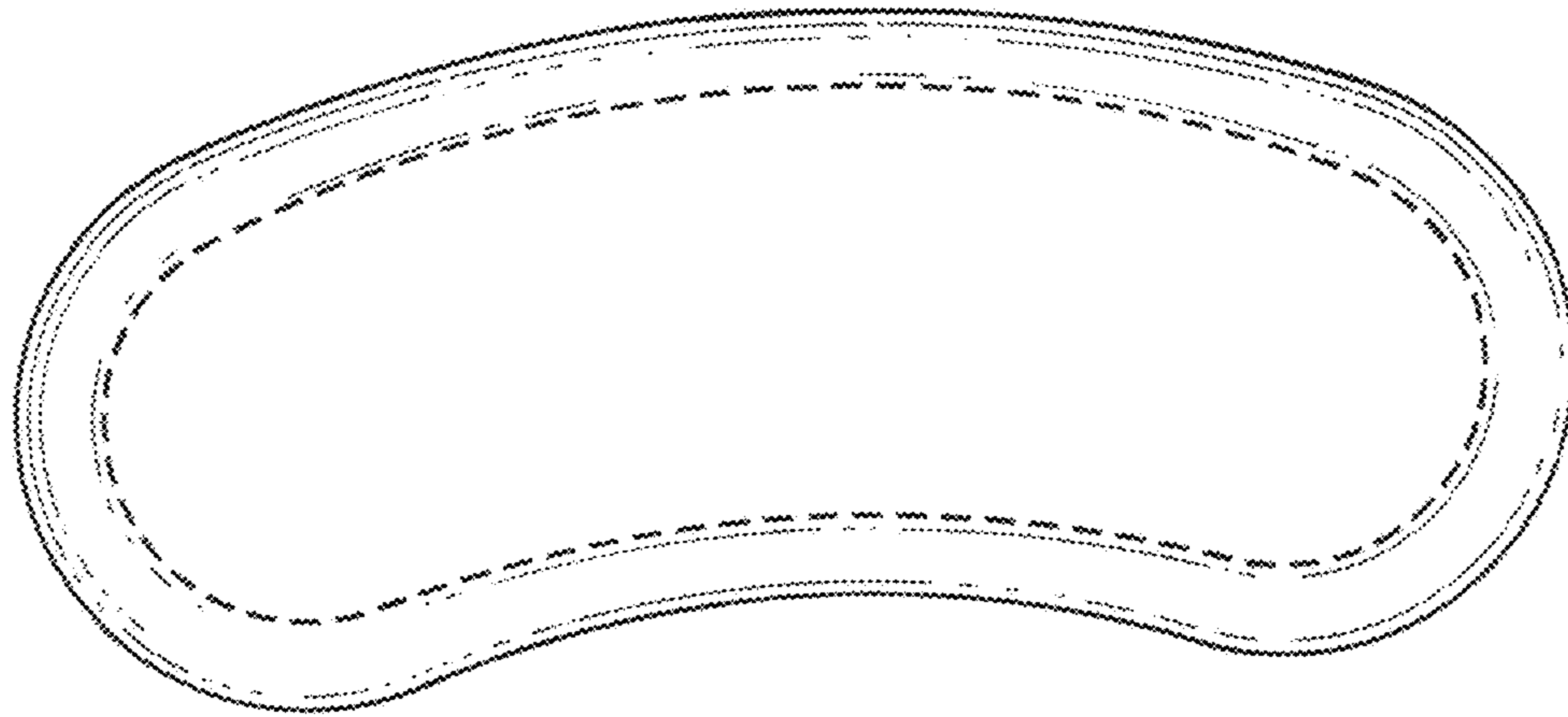


FIG. 6



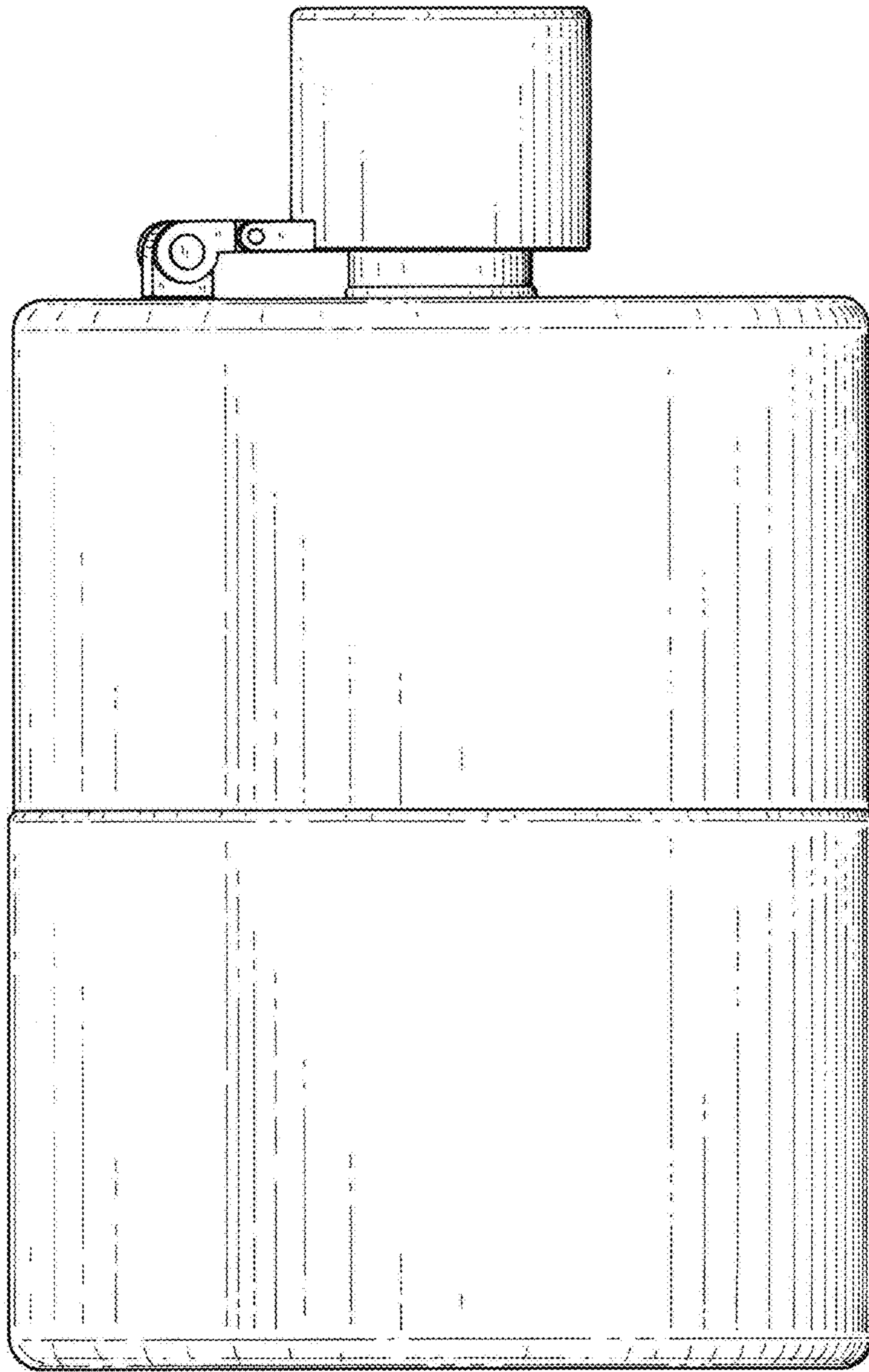


FIG. 7