



US00D845774S

(12) **United States Design Patent**
Laib et al.

(10) **Patent No.:** **US D845,774 S**
(45) **Date of Patent:** **** Apr. 16, 2019**

(54) **CONTAINER**

(71) Applicant: **Owens-Brockway Glass Container Inc., Perrysburg, OH (US)**

(72) Inventors: **Douglas Laib, Perrysburg, OH (US); Raul Paredes, Perrysburg, OH (US); Kimberly Credit, Hunt Valley, MD (US)**

(73) Assignee: **Owens-Brockway Glass Container Inc., Perrysburg, OH (US)**

(**) Term: **15 Years**

(21) Appl. No.: **29/583,429**

(22) Filed: **Nov. 4, 2016**

(51) **LOC (11) Cl.** **09-01**

(52) **U.S. Cl.**

USPC **D9/516**

(58) **Field of Classification Search**

USPC D9/516, 519, 520, 521, 527, 528, 529, D9/530, 531, 533, 540, 542, 544, 550, D9/553, 556, 557, 558, 559, 563, 564, D9/565, 566, 567, 545, 536, 537, 538, D9/539, 541, 543, 522, 517, 552; D3/202, 203.1, 205; D4/114; D6/515, D6/542; D7/300, 300.1, 598; 215/1 C, 215/1 R, 248, 307, 381, 382, 383, 384, 215/385, 902; 220/660, 662, 669, 675
CPC B65D 2501/0009; B65D 2501/00; B65D 23/00; B65D 1/0223; B65D 1/00; B65D 1/02

See application file for complete search history.

(56) **References Cited**

U.S. PATENT DOCUMENTS

D63,852 S * 1/1924 Millen D9/536
D72,141 S * 3/1927 Boswell D9/536
D99,492 S * 4/1936 Knightley D9/530

D100,341 S * 7/1936 Steinbiss D9/536
D104,657 S * 5/1937 Fuerst D9/536
D107,542 S * 12/1937 Moore D9/531

(Continued)

OTHER PUBLICATIONS

Available Jul. 26, 2018, [online], [site visited Jul. 26, 2018]. Available from Internet, <URL:https://ondemand.o-i.com/products/growler-32-oz> (Year: 2018).*

(Continued)

Primary Examiner — Cathron C Brooks

Assistant Examiner — Katrina N Gonzalez

(57) **CLAIM**

The ornamental design for the container, as shown and described.

DESCRIPTION

FIG. 1 is a perspective view of a container in accordance with a first illustrative embodiment of our new claimed design.

FIG. 2 is a left side view of the container of FIG. 1, the opposing right side view being a mirror image of FIG. 2.

FIG. 3 is a rear view of the container of FIG. 1.

FIG. 4 is a front view of the container of FIG. 1.

FIG. 5 is a top view of the container of FIG. 1.

FIG. 6 is a bottom view of the container of FIG. 1.

FIG. 7 is a perspective view of a container in accordance with a second illustrative embodiment of our new claimed design.

FIG. 8 is a left side view of the container of FIG. 7, the opposing right side view being a mirror image of FIG. 8.

FIG. 9 is a rear view of the container of FIG. 7.

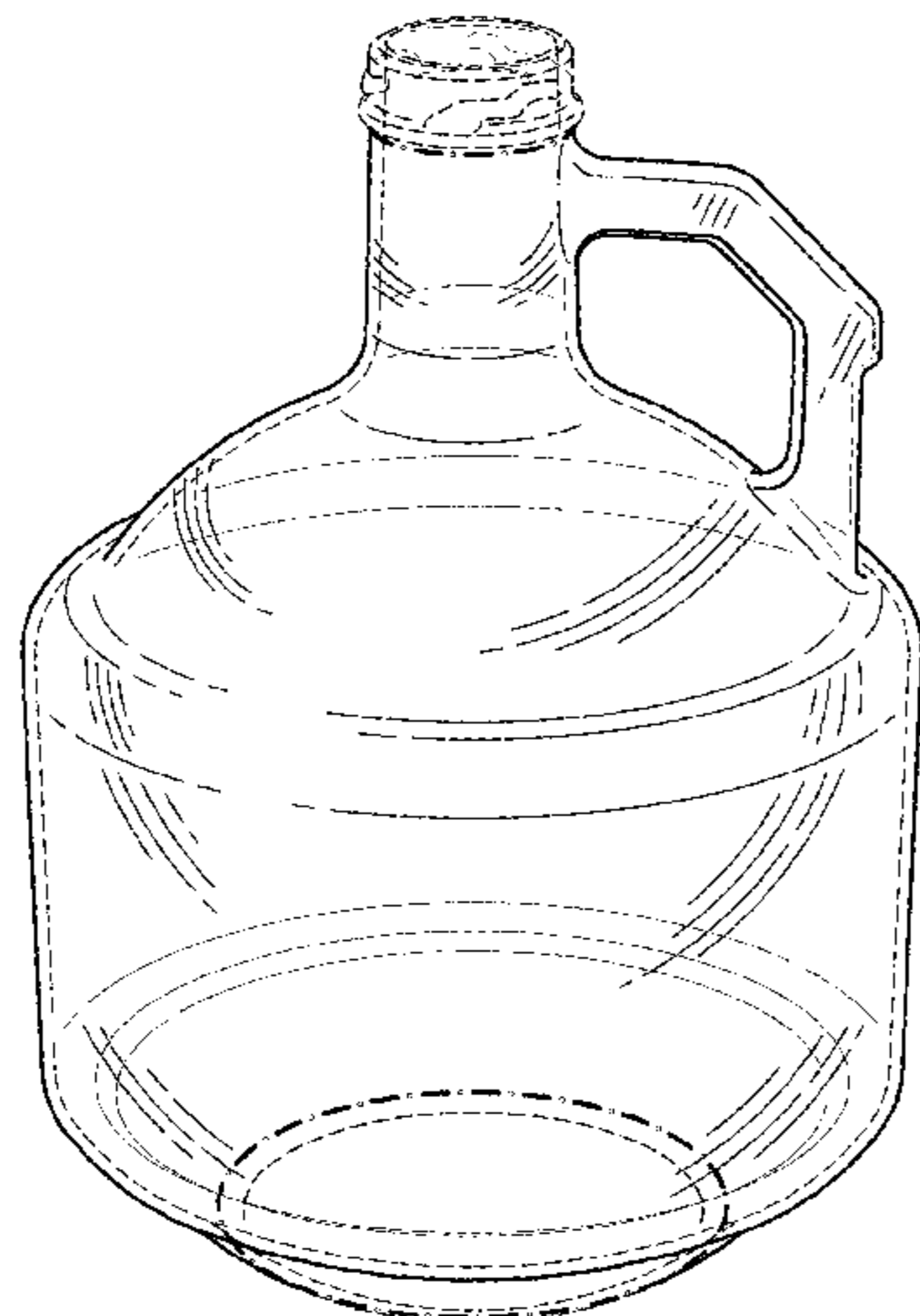
FIG. 10 is a front view of the container of FIG. 7.

FIG. 11 is a top view of the container of FIG. 7; and,

FIG. 12 is a bottom view of the container of FIG. 7.

The dash-dash broken lines illustrate portions of the container that form no part of the claimed design.

1 Claim, 6 Drawing Sheets



(56)

References Cited

U.S. PATENT DOCUMENTS

D162,147 S 2/1951 Fuerst
 D172,718 S * 7/1954 Musel D9/536
 D184,991 S * 4/1959 Godfrey D9/534
 D189,002 S 10/1960 Campbell
 D190,835 S 7/1961 Fuerst
 D191,071 S 8/1961 Roberts
 D191,722 S 11/1961 Lorenzen
 D194,997 S 4/1963 Houghton
 D195,063 S 4/1963 Lilling
 3,086,671 A * 4/1963 Zaleski B65D 1/023
 215/398
 D195,597 S 7/1963 Monk
 D204,499 S * 4/1966 Scott D9/531
 D211,000 S * 5/1968 Pettengills D9/536
 3,397,724 A * 8/1968 Bolen B65D 1/0223
 215/371
 D221,519 S 8/1971 Plummer
 D224,509 S 8/1972 Saenz
 D235,971 S * 7/1975 Visola D9/500
 D238,143 S * 12/1975 Bay D9/500
 D241,225 S * 8/1976 McCurdy D9/536
 D254,596 S 4/1980 Spigelman
 D257,580 S 12/1980 Hayes
 D258,491 S 3/1981 Hayes
 D258,564 S 3/1981 Hayes
 D258,936 S 4/1981 Hayes
 D273,278 S 4/1984 Hayes
 D273,367 S 4/1984 Hayes
 D273,368 S 4/1984 Hayes
 D283,305 S 4/1986 Thompson
 D328,253 S 7/1992 Poore et al.
 D344,235 S 2/1994 Bridger et al.
 D369,499 S * 5/1996 Scott D9/520
 D378,664 S 4/1997 Feen
 D403,591 S 1/1999 Nijs et al.
 D403,968 S * 1/1999 DeVore D9/531
 D429,160 S 8/2000 Tally

D431,192 S * 9/2000 Ogg D9/531
 D449,993 S 11/2001 Schumann
 D510,872 S 10/2005 Mount et al.
 7,228,982 B2 6/2007 Nielson
 D643,300 S * 8/2011 Beckerman D9/536
 D673,050 S 12/2012 Pennington, IV et al.
 D676,328 S * 2/2013 Yourist D9/531
 D687,306 S * 8/2013 Fleischhacker D9/531
 D699,118 S * 2/2014 Yourist D9/531
 D699,584 S 2/2014 Hall
 D706,638 S * 6/2014 Fleischhacker D9/556
 D727,737 S 4/2015 Damashek
 9,114,911 B2 8/2015 Laib et al.
 D740,123 S * 10/2015 Tremblay D9/536
 D783,405 S * 4/2017 Thompson D9/531
 2014/0110369 A1 * 4/2014 Laib B65D 23/104
 215/40

OTHER PUBLICATIONS

Available Jul. 27, 2018, [online], [site visited Jul. 27, 2018].
 Available from Internet, <URL:http://wineandbeersupply.com/product/palla-style-growler/> (Year: 2018).*
 Available Jul. 27, 2018, [online], [site visited Jul. 27, 2018].
 Available from Internet, <URL:http://777promotionalproducts.com/product/32-oz-artesian-growler/> (Year: 2018).*
 Available Jul. 27, 2018, [online], [site visited Jul. 27, 2018].
 Available from Internet, <URL:https://lowryparcade.com/shop/bar-kitchenware/growler-32oz/> (Year: 2018).*
 Available Jun. 23, 2017, [online], [site visited Jul. 27, 2018].
 Available from Internet, <URL:https://web.archive.org/web/20170623011625/http://www.o-ipackagingsolutions.com/o-i-debuts-32-ounce-growler-to-complement-craft-beer-offering/> (Year: 2017).*
 Chile Office Action, Chilean Application No. 1092-2017, Applicant: Owens-Brockway Glass Container Inc., dated Jan. 19, 2018.
 Chile Examiners Report, Serial No. 201800972, Applicant: Owens-Brockway Glass Container Inc., dated Oct. 10, 2018.

* cited by examiner

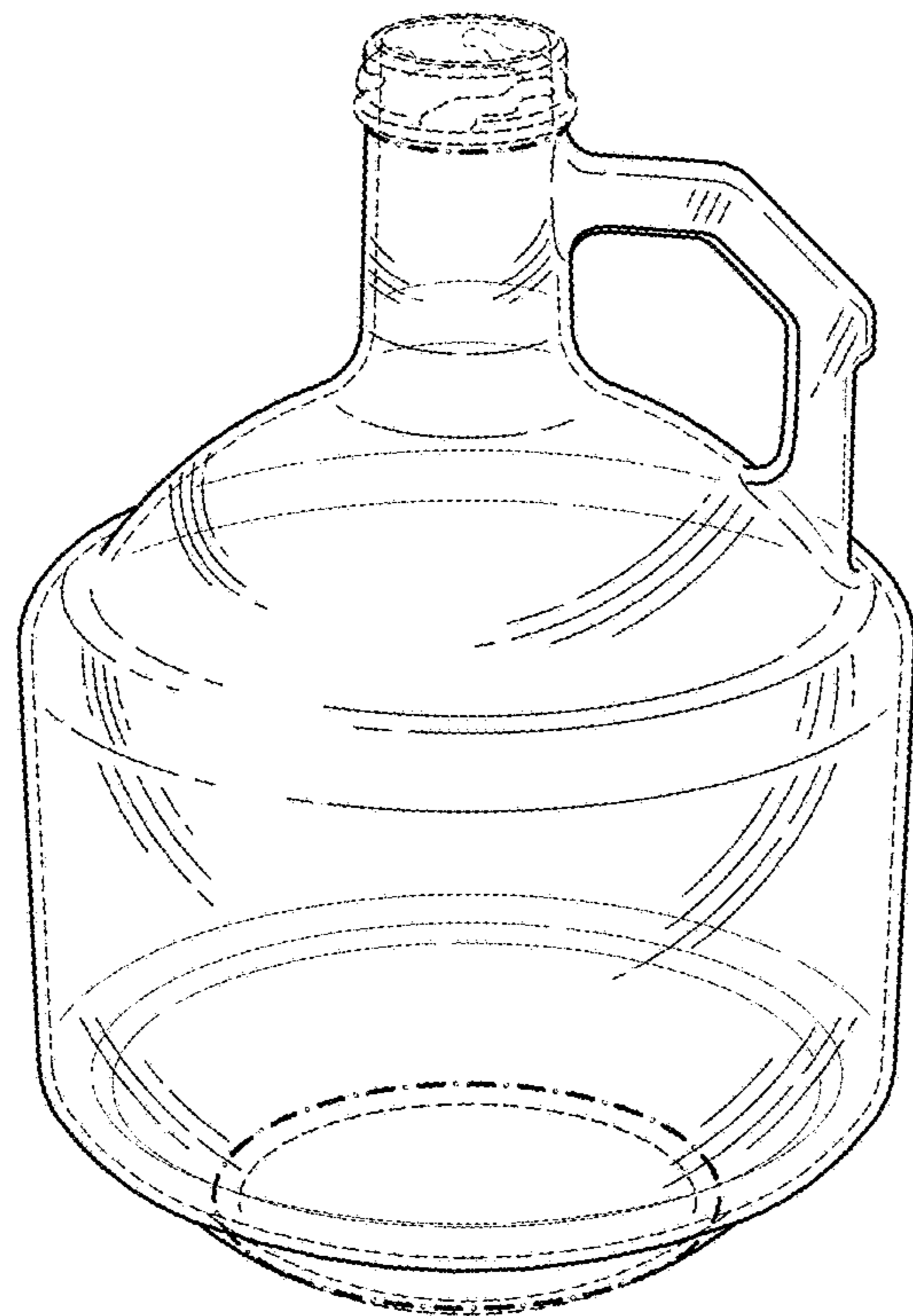


FIG. 1

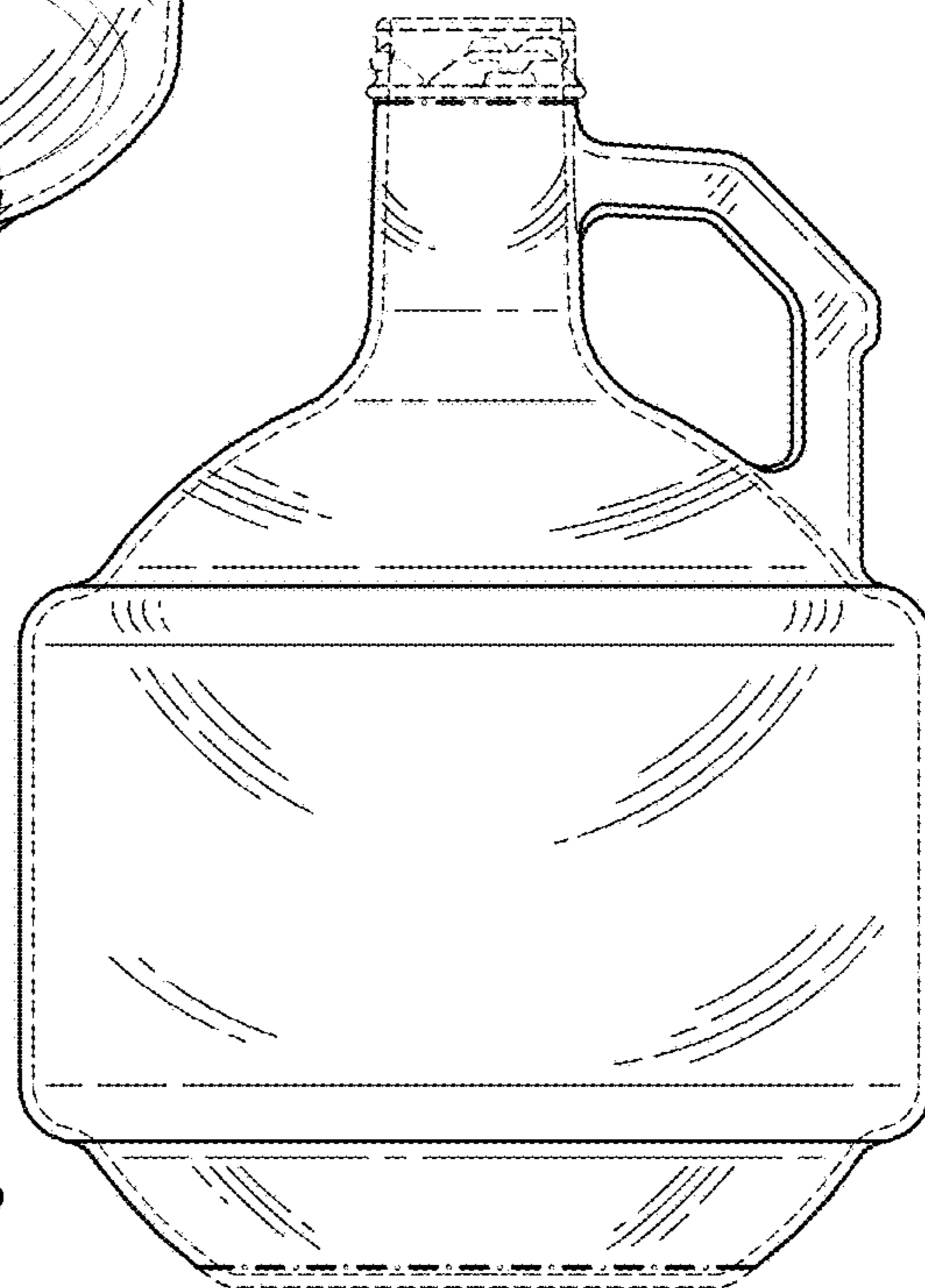


FIG. 2

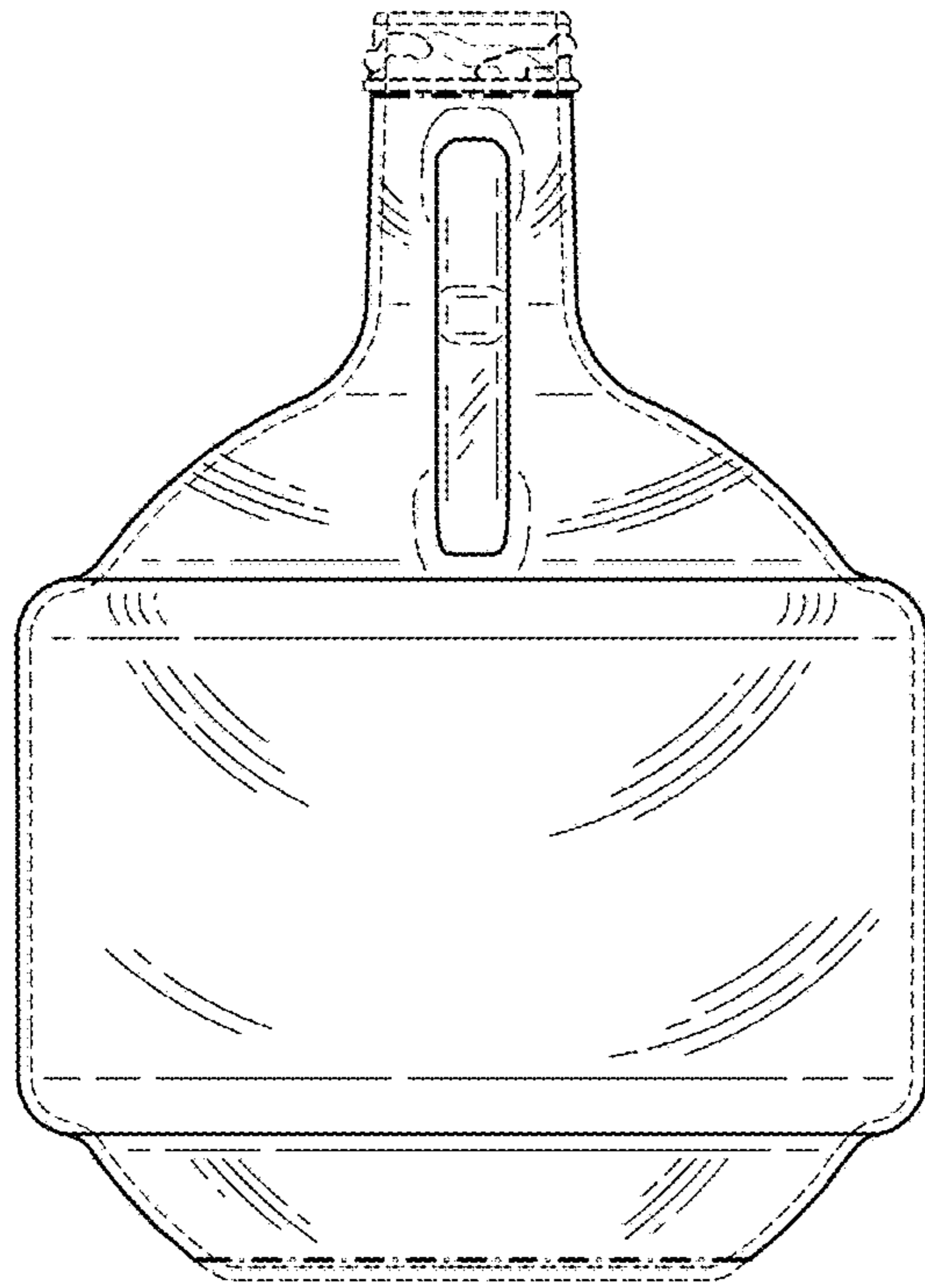


FIG. 3

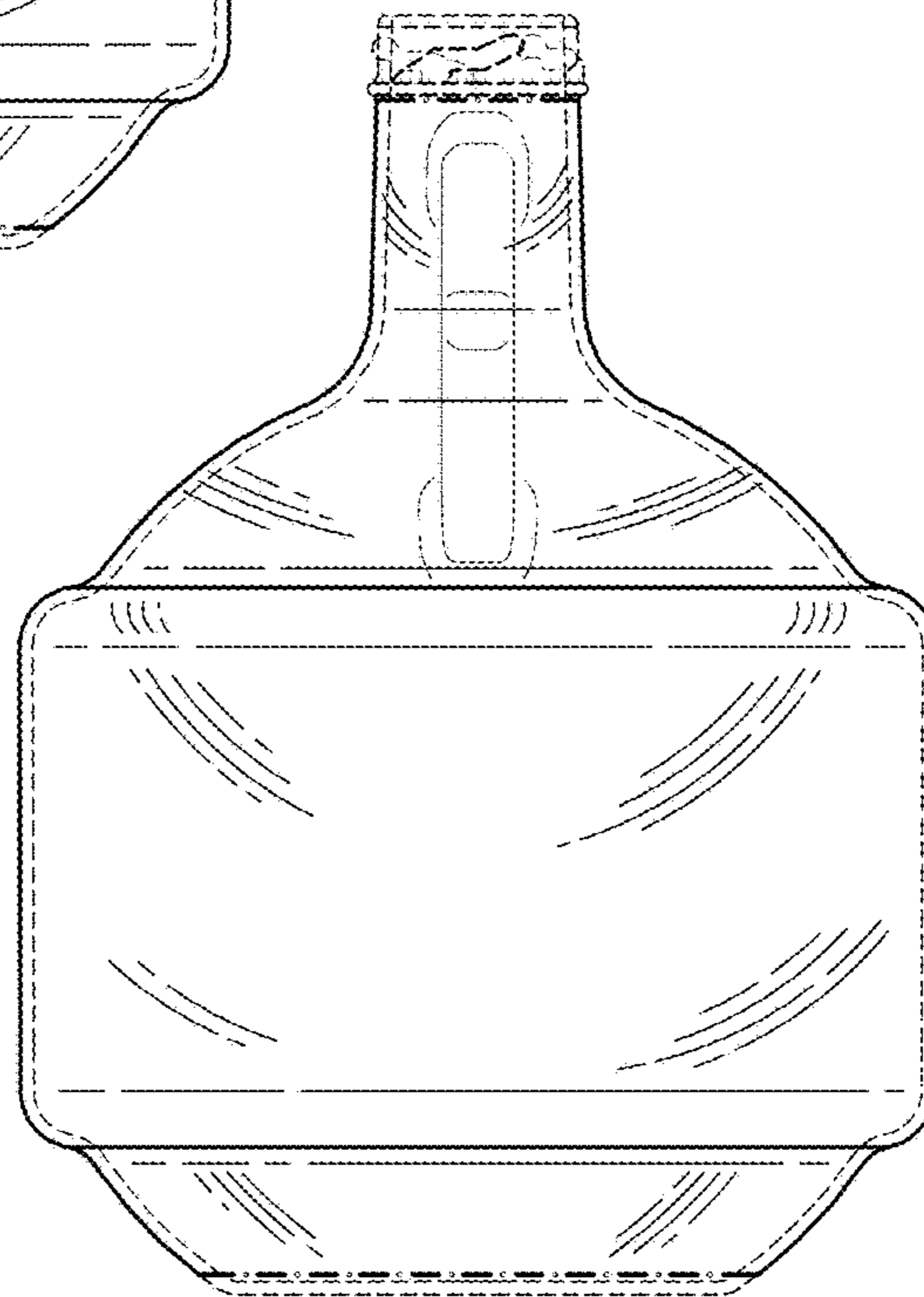


FIG. 4

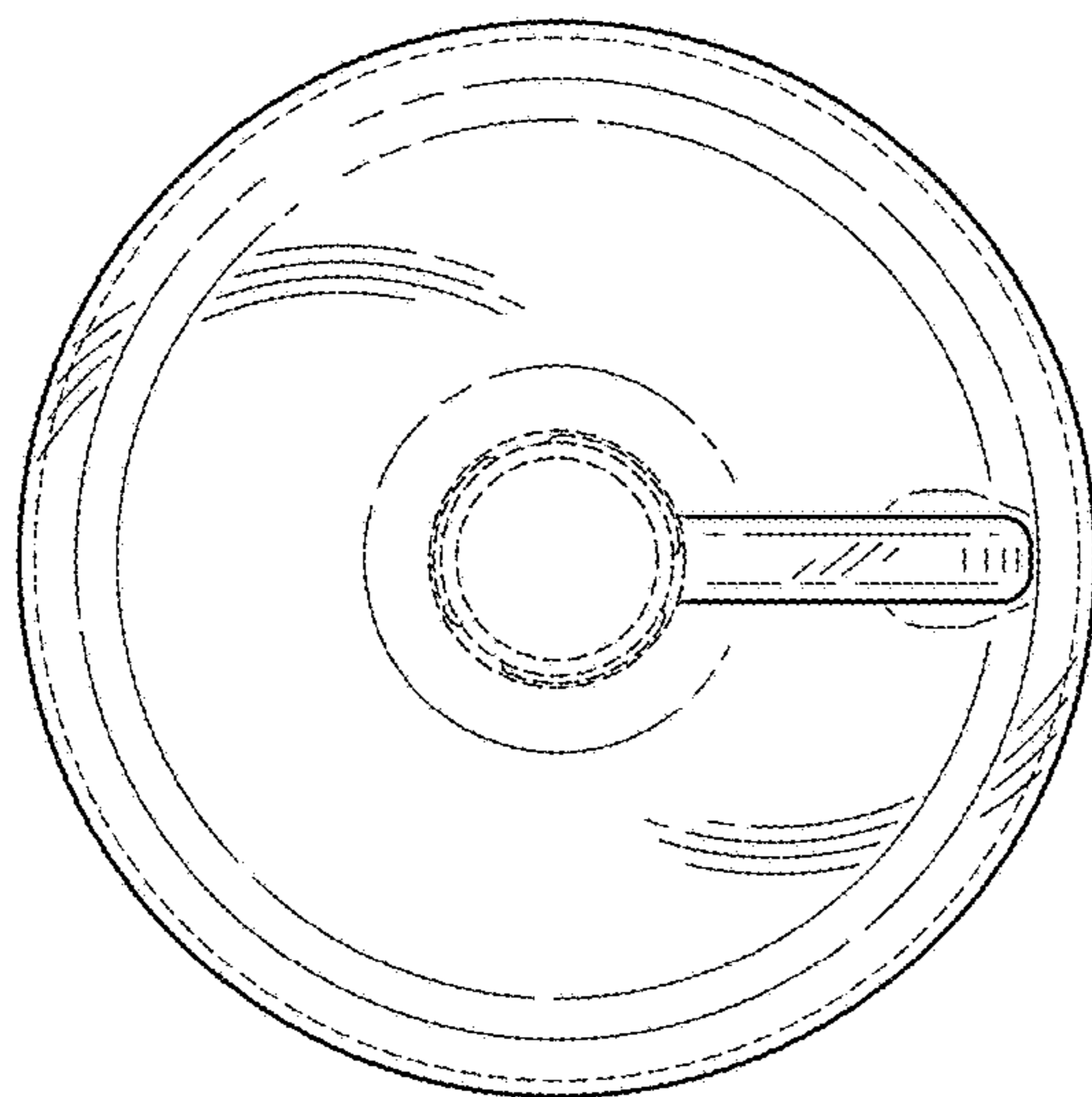


FIG. 5

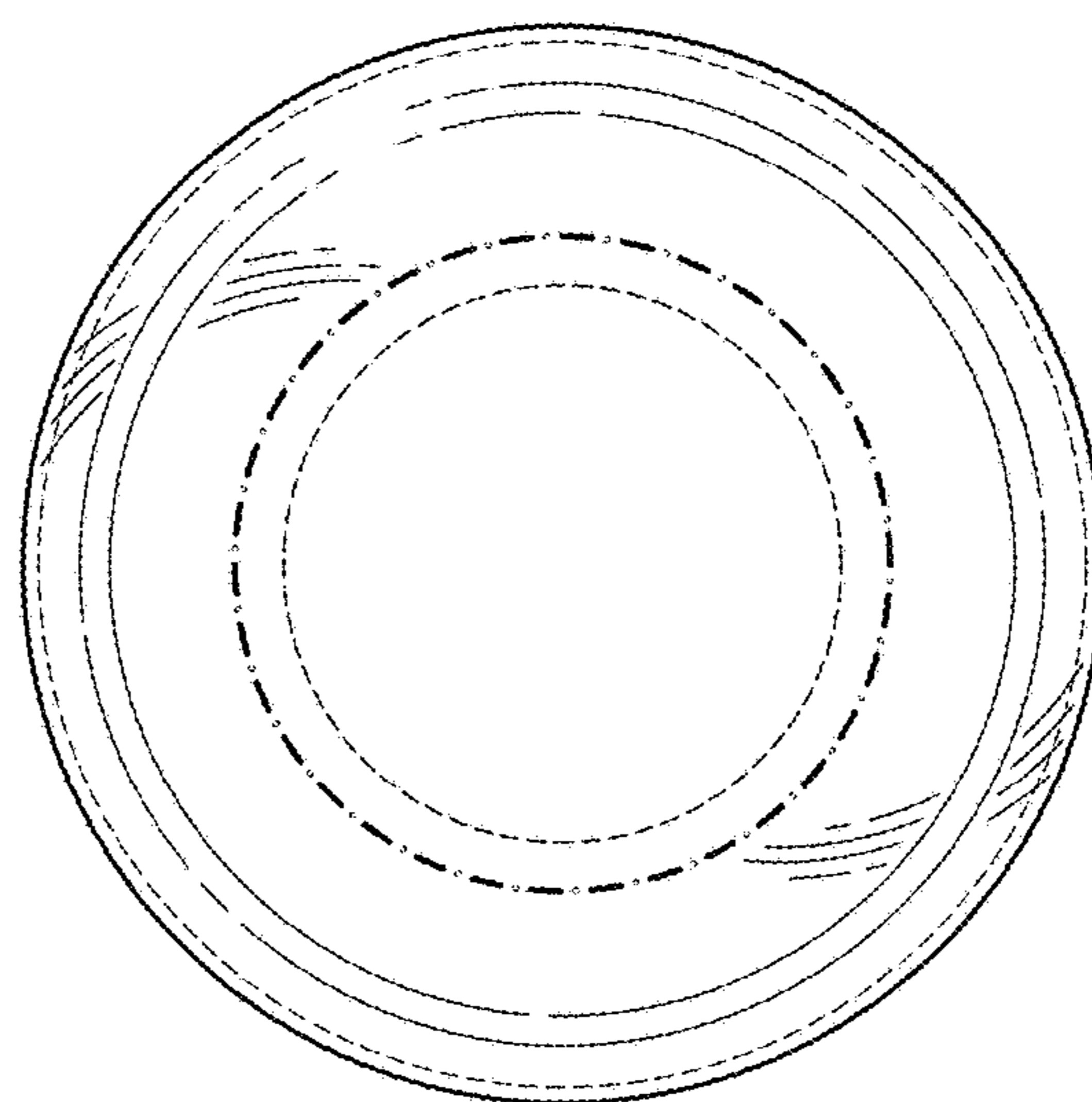


FIG. 6

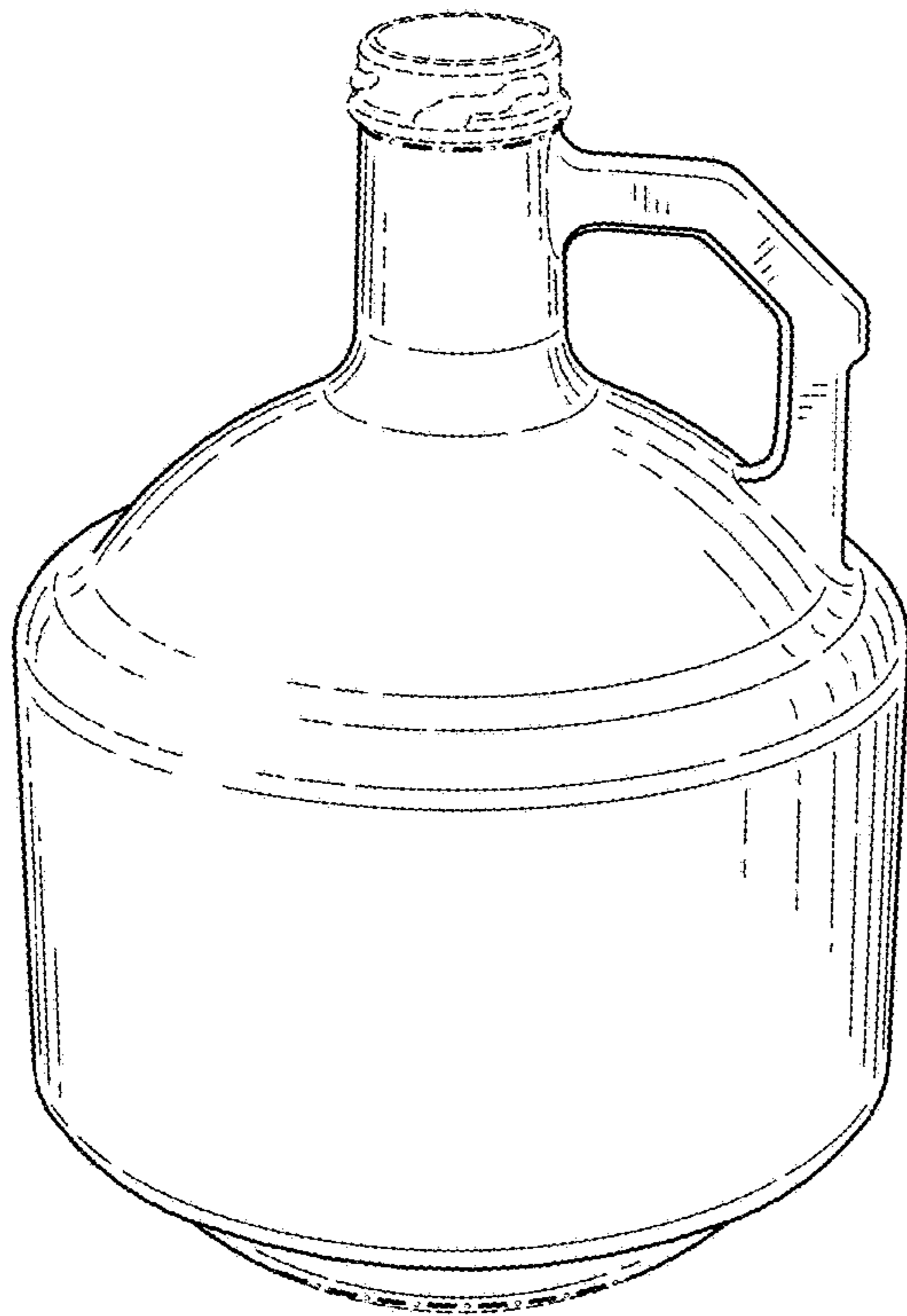


FIG. 7

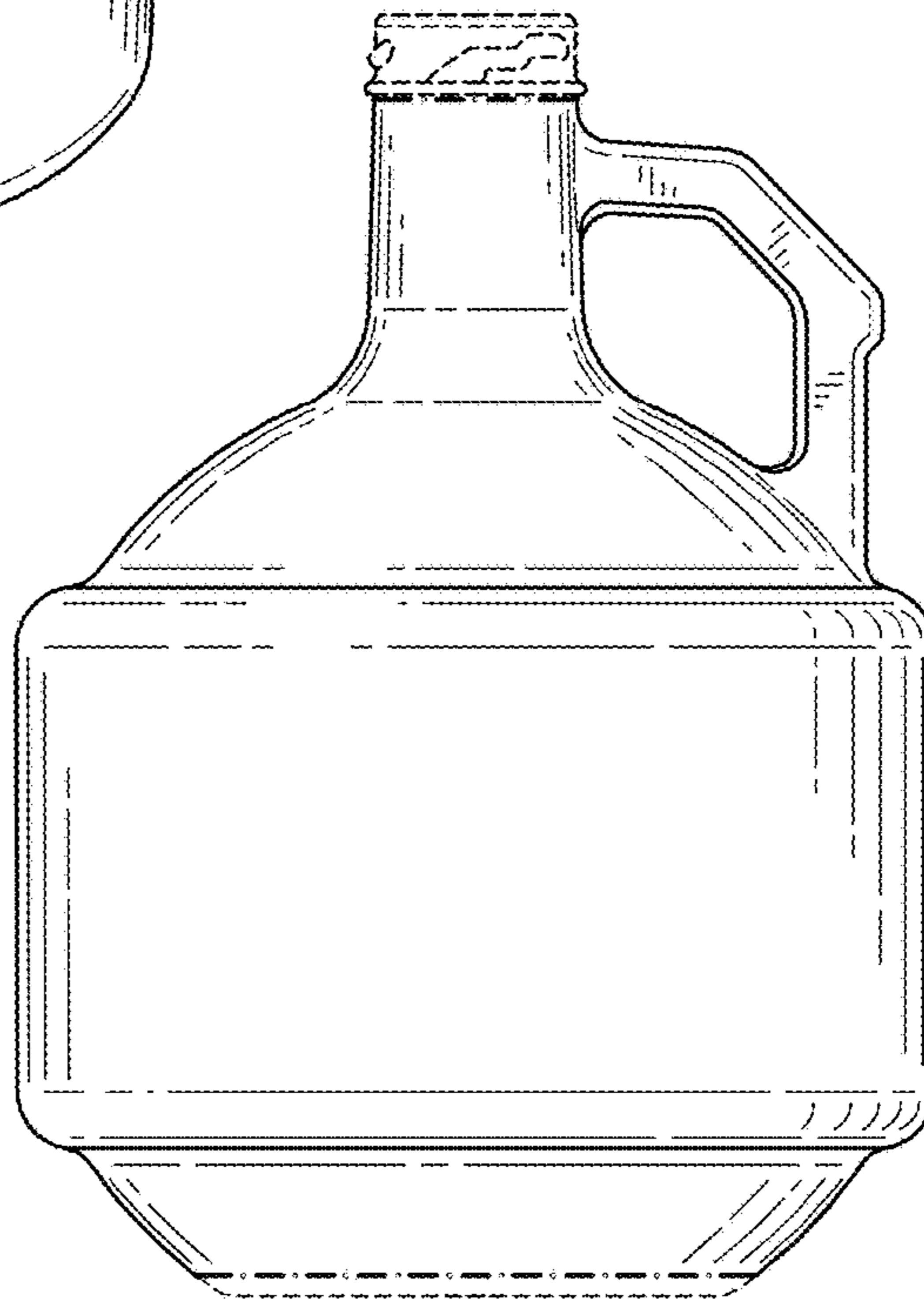


FIG. 8

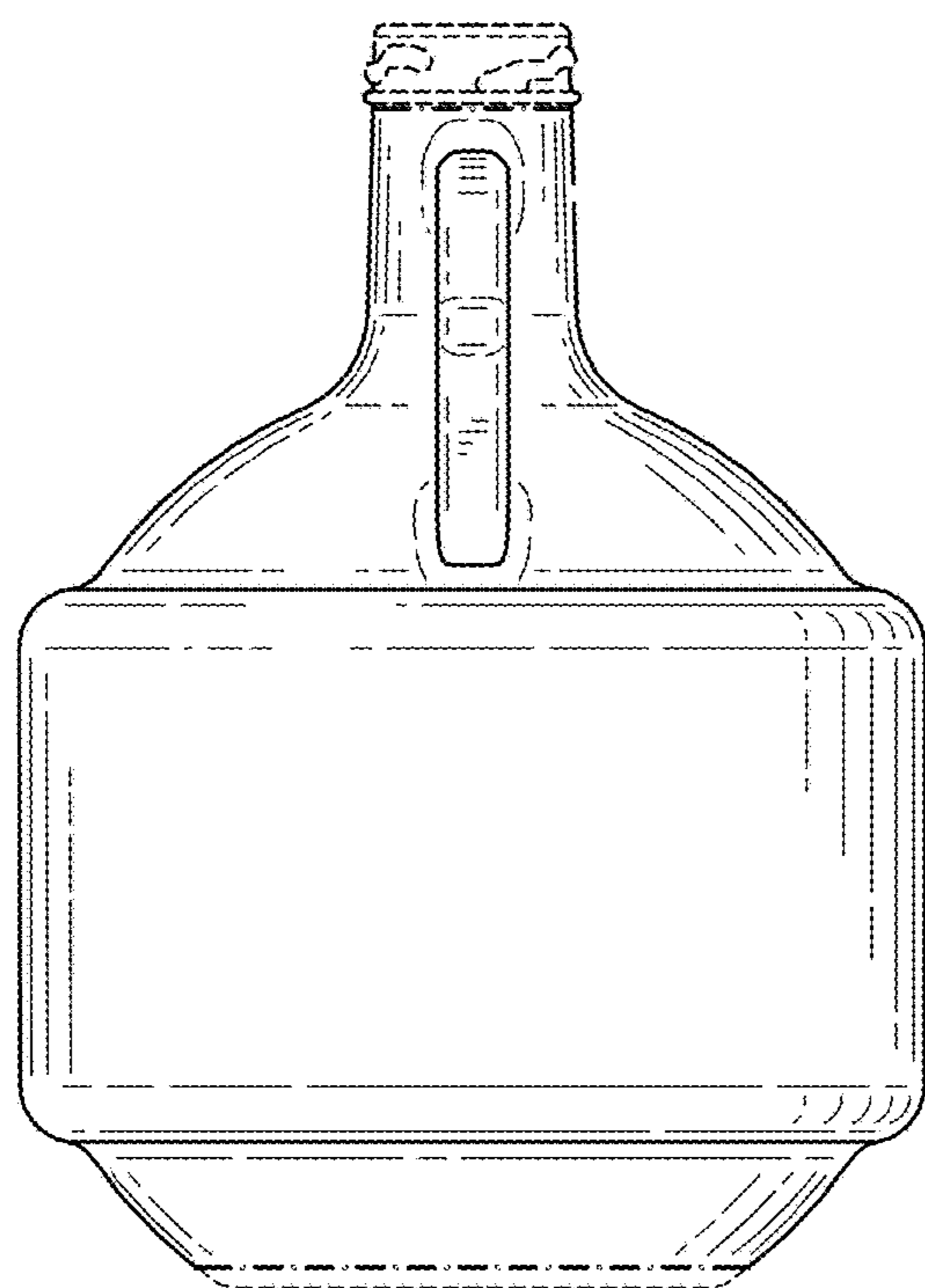


FIG. 9

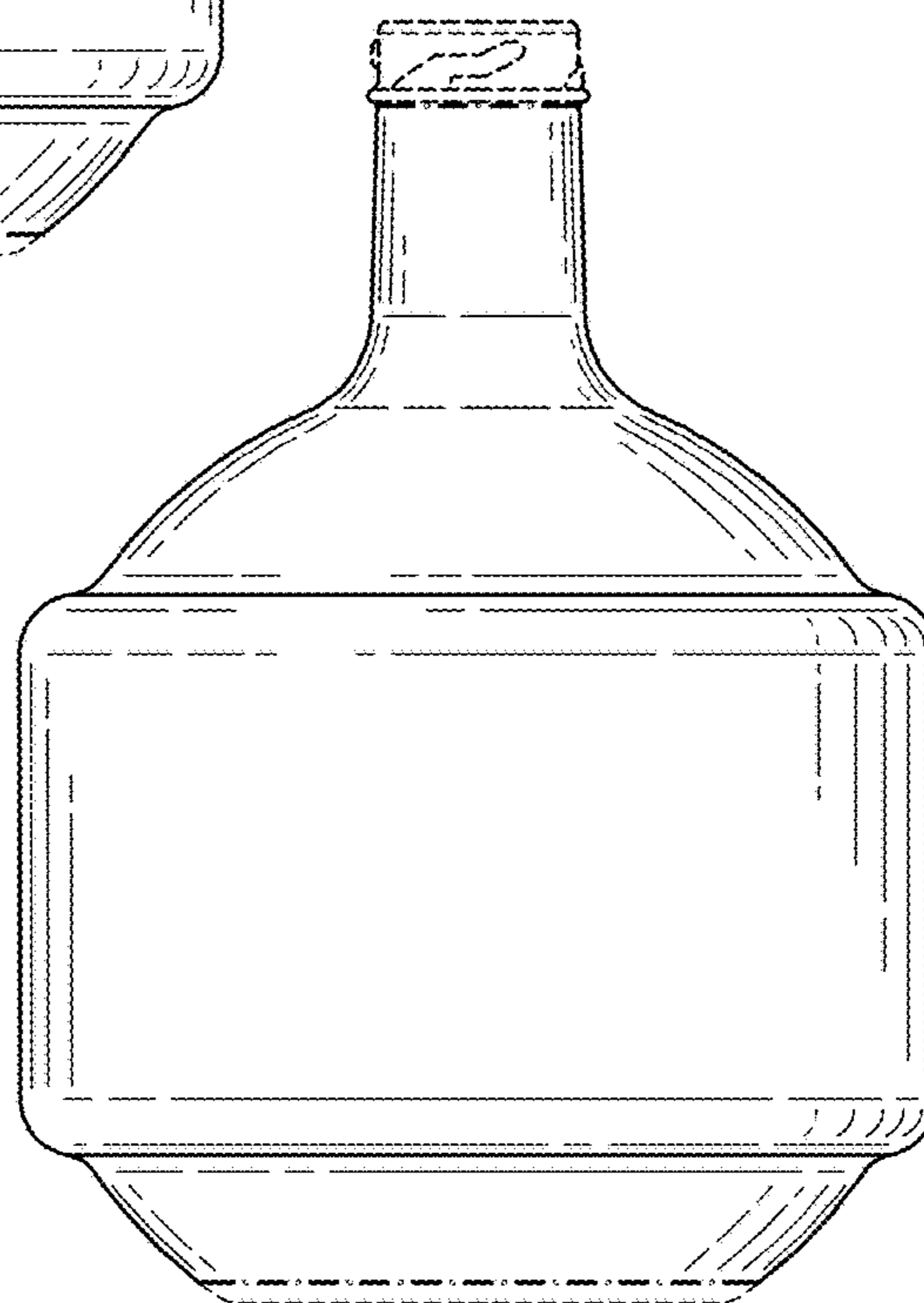


FIG. 10

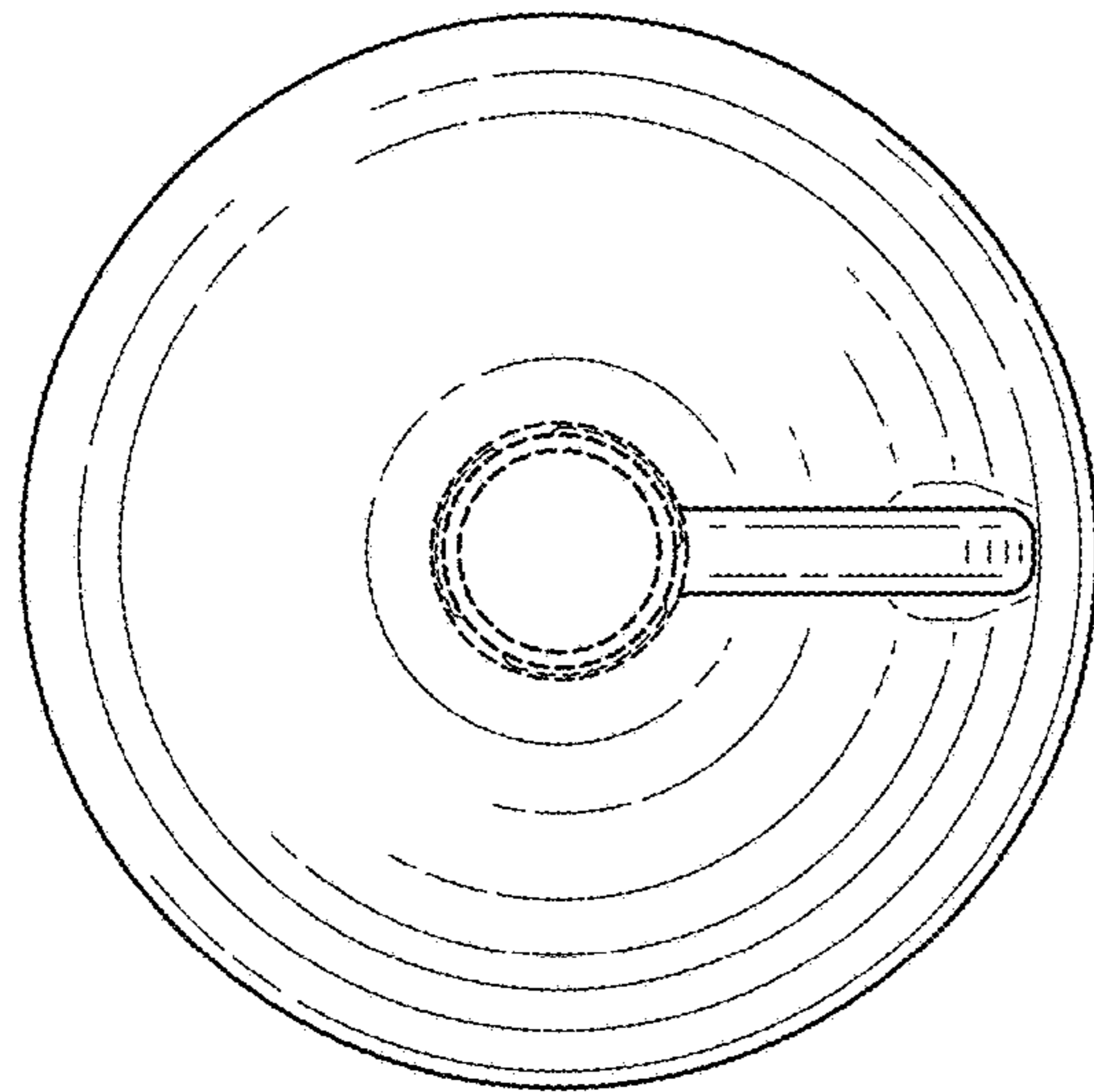


FIG. 11

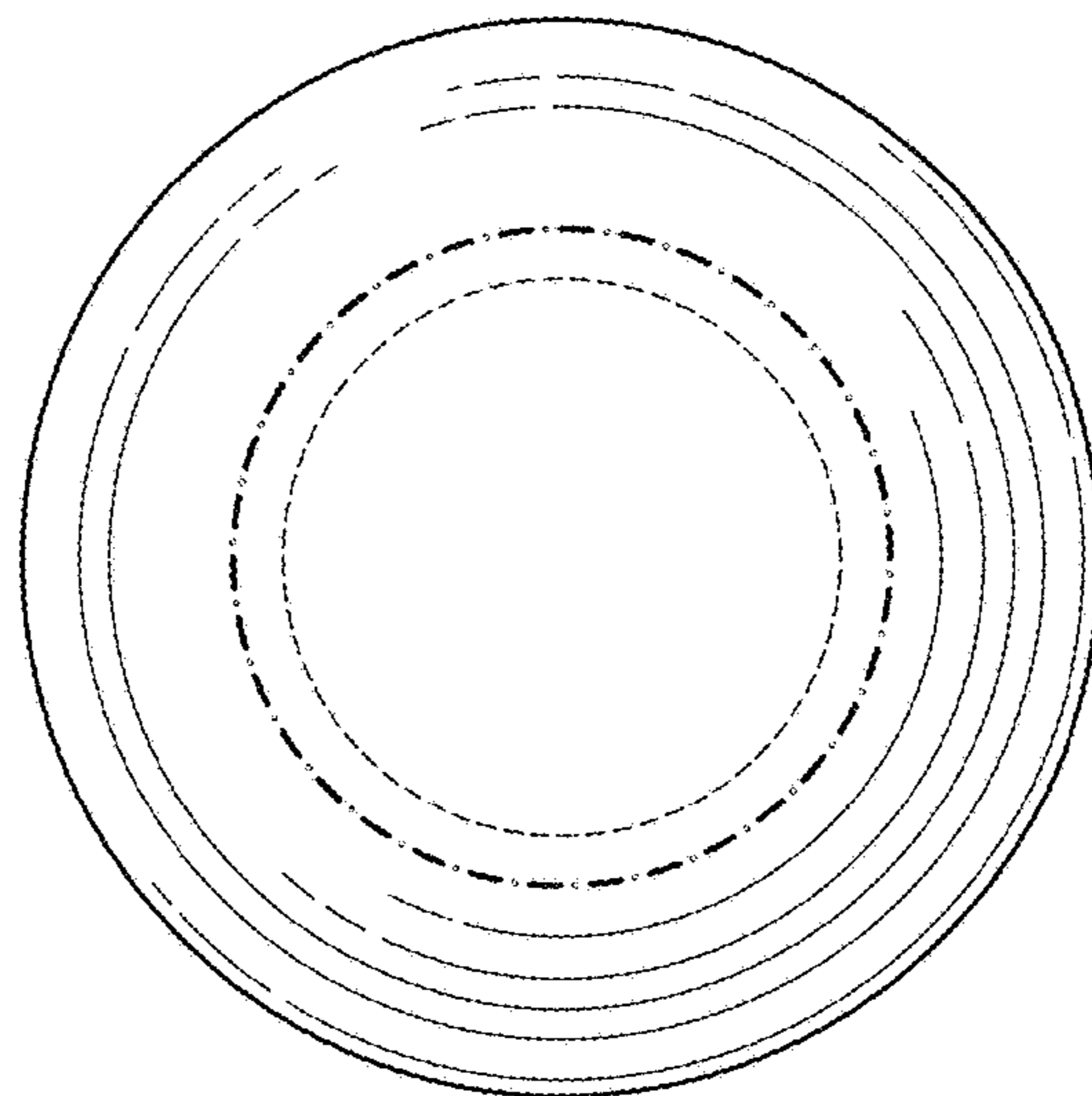


FIG. 12