



US00D845773S

(12) **United States Design Patent**
Huang

(10) **Patent No.:** **US D845,773 S**

(45) **Date of Patent:** **** Apr. 16, 2019**

- (54) **NAIL POLISH BOTTLE**
- (71) Applicant: **Qijie Huang**, El Monte, CA (US)
- (72) Inventor: **Qijie Huang**, El Monte, CA (US)
- (**) Term: **15 Years**
- (21) Appl. No.: **29/595,228**
- (22) Filed: **Feb. 27, 2017**
- (51) **LOC (11) Cl.** **09-01**
- (52) **U.S. Cl.**
USPC **D9/503**; D9/454
- (58) **Field of Classification Search**
USPC D9/434-435, 447, 454, 500, 503-504,
D9/516, 549, 558, 715, 719; D4/116
CPC B65D 1/00; B65D 1/02; B65D 1/0223;
B65D 23/00; B65D 51/32; B65D
2501/00; B65D 2501/0009
See application file for complete search history.

7,524,122 B2 *	4/2009	Pink	A45D 34/045 401/126
D695,121 S *	12/2013	Seo	D9/454
D715,157 S *	10/2014	In	D9/691
D758,737 S *	6/2016	Tan	D4/116
D770,285 S *	11/2016	Luu	D9/454
D770,901 S *	11/2016	Luu	D9/452
D802,420 S *	11/2017	Luu	D9/452
D805,904 S *	12/2017	Kim	D9/503
D813,551 S *	3/2018	Tan	D4/116
D816,203 S *	4/2018	Valentino	D23/366

* cited by examiner

Primary Examiner — Dana Meyrow

(74) *Attorney, Agent, or Firm* — Dunlap Bennett & Ludwig PLLC; Brendan E. Squire

(57) **CLAIM**

The ornamental design for a nail polish bottle, as shown and described.

DESCRIPTION

FIG. 1 is a perspective view of the nail polish bottle showing my new design;

FIG. 2 is a front elevation view thereof; the rear elevation view being a mirror image thereof;

FIG. 3 is a right side elevation view thereof; the left side elevation view being a mirror image thereof;

FIG. 4 is a top plan view thereof; and,

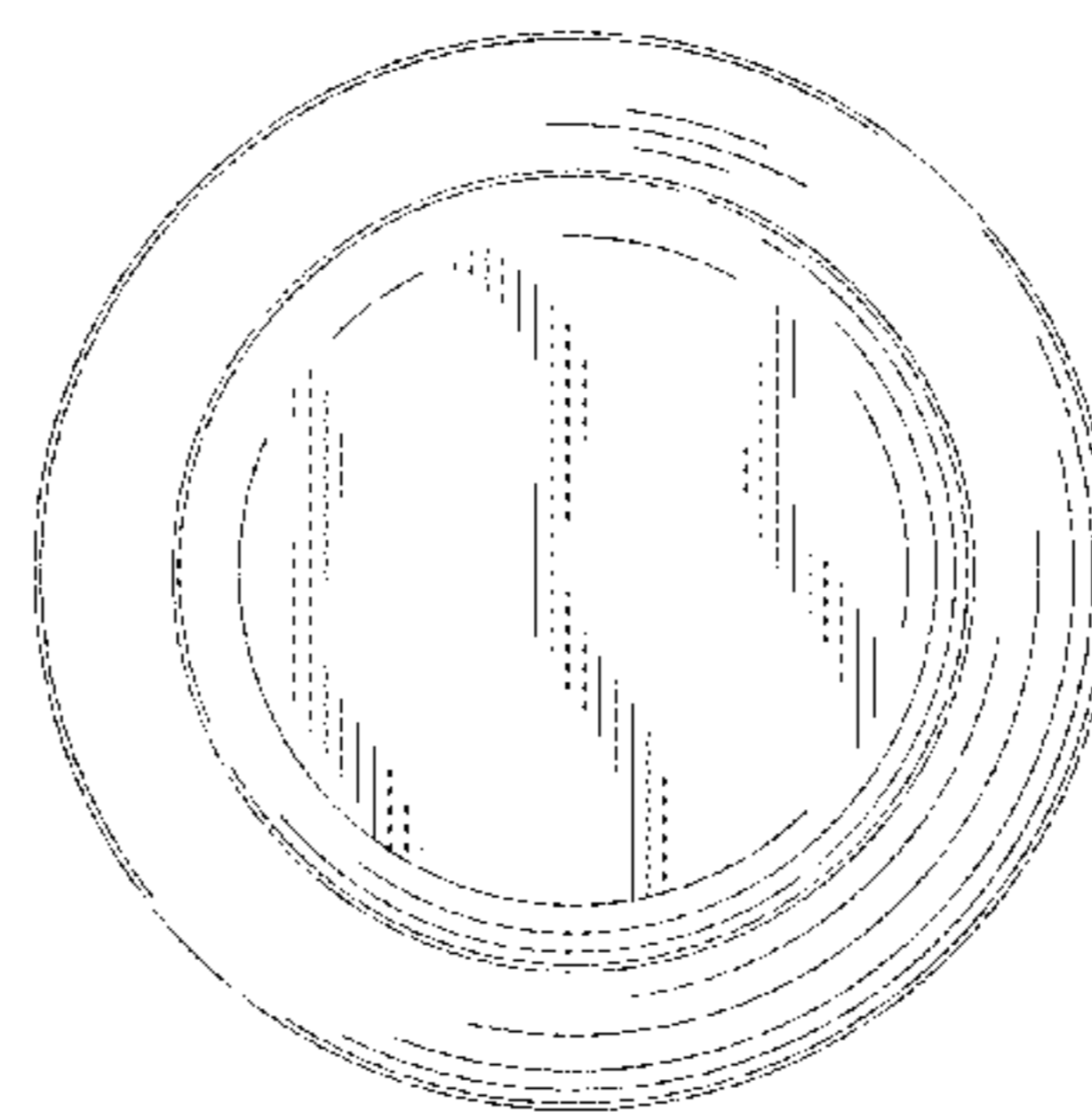
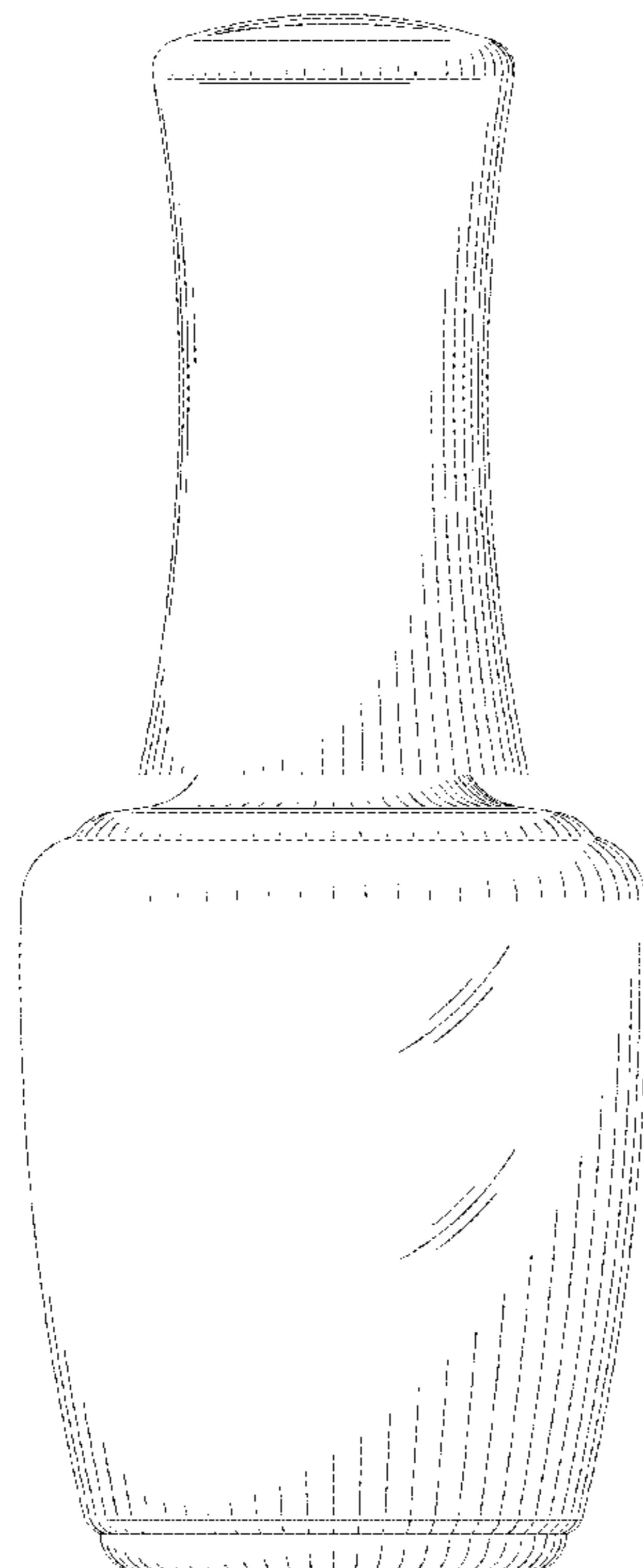
FIG. 5 is a bottom plan view thereof.

The broken lines shown in the drawings illustrate portions of the nail polish bottle that form no part of the claimed design.

1 Claim, 4 Drawing Sheets

(56) **References Cited**
U.S. PATENT DOCUMENTS

D330,859 S *	11/1992	Schaeffer	D9/503
D362,187 S *	9/1995	Thompson	D9/500
D399,658 S *	10/1998	Nosella	D4/116
D400,442 S *	11/1998	Nosella	D9/500
D415,319 S *	10/1999	Bakic	D28/76
D422,219 S *	4/2000	Gobe	D9/503
D487,016 S *	2/2004	DeBiasse	D9/444
6,966,716 B2 *	11/2005	Pink	A45D 34/045 401/126
7,311,457 B2 *	12/2007	Pink	A45D 34/045 16/430



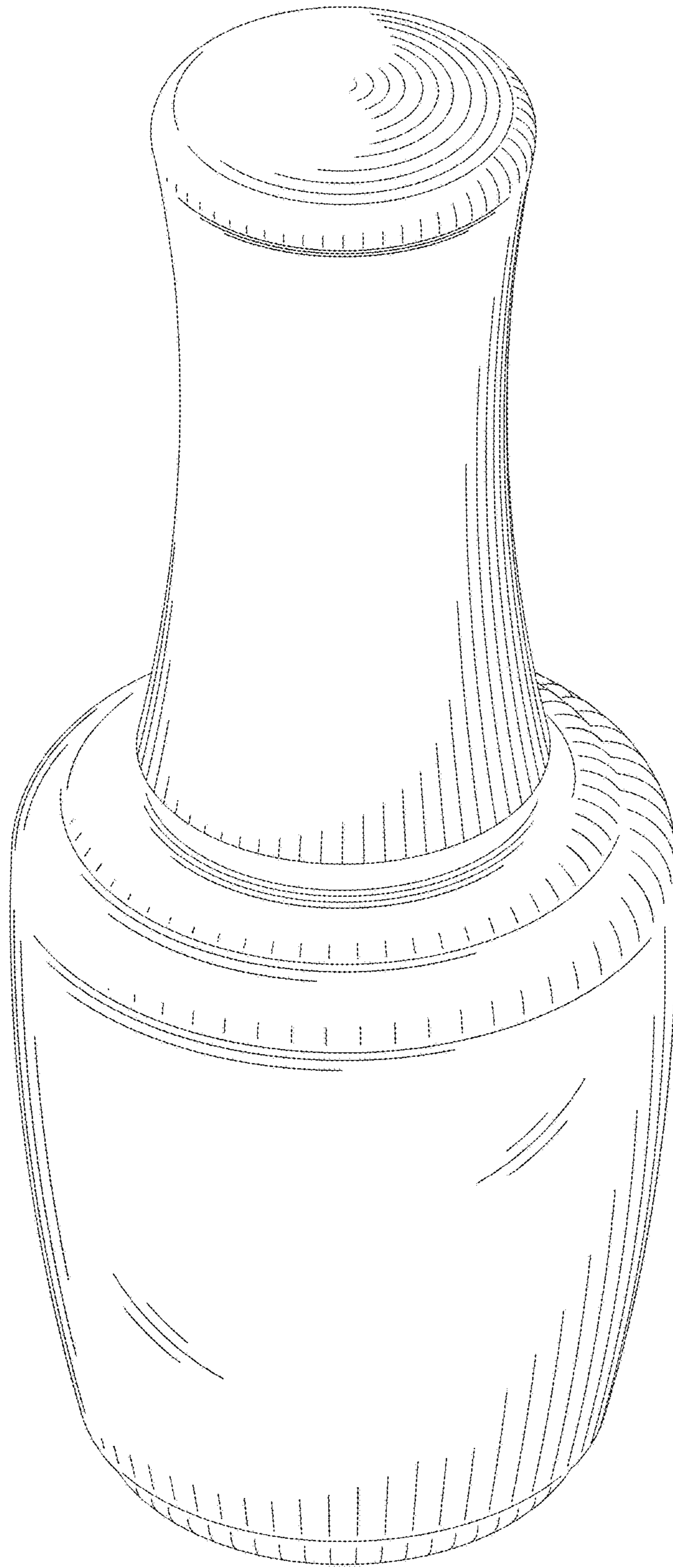


FIG. 1

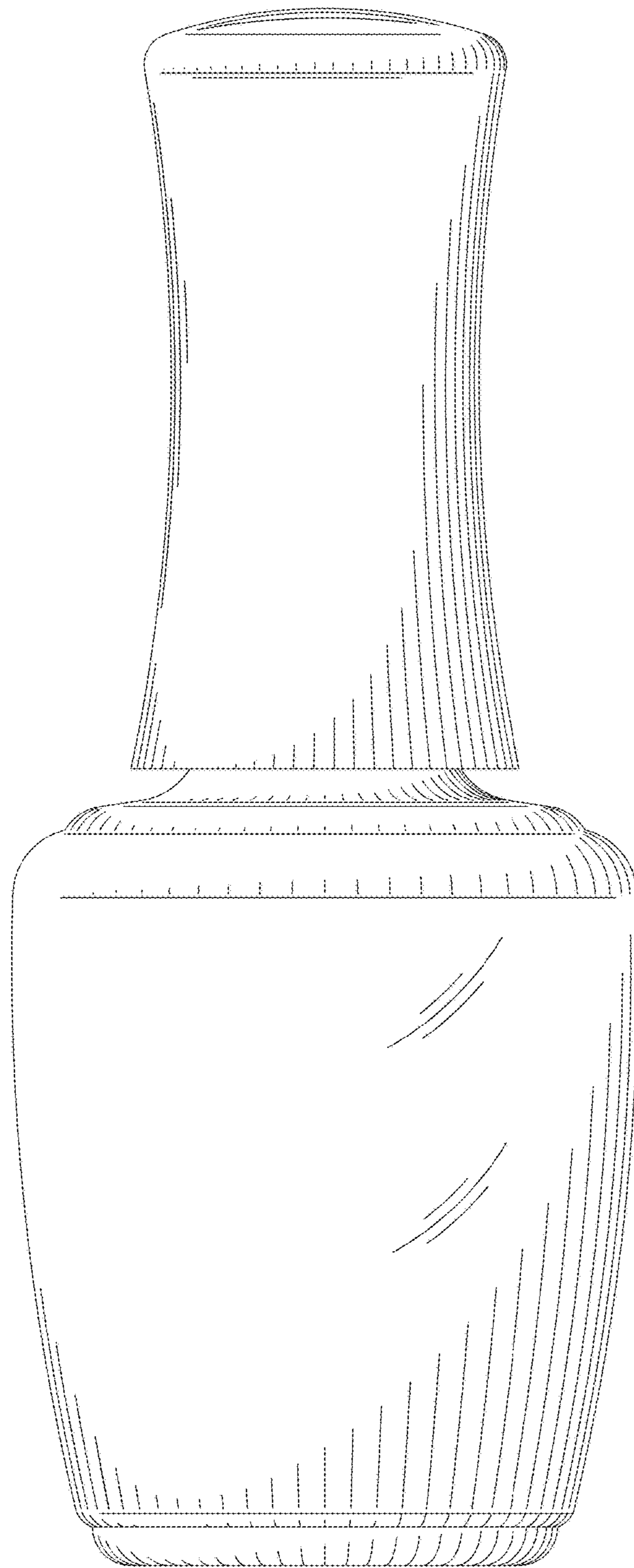


FIG. 2

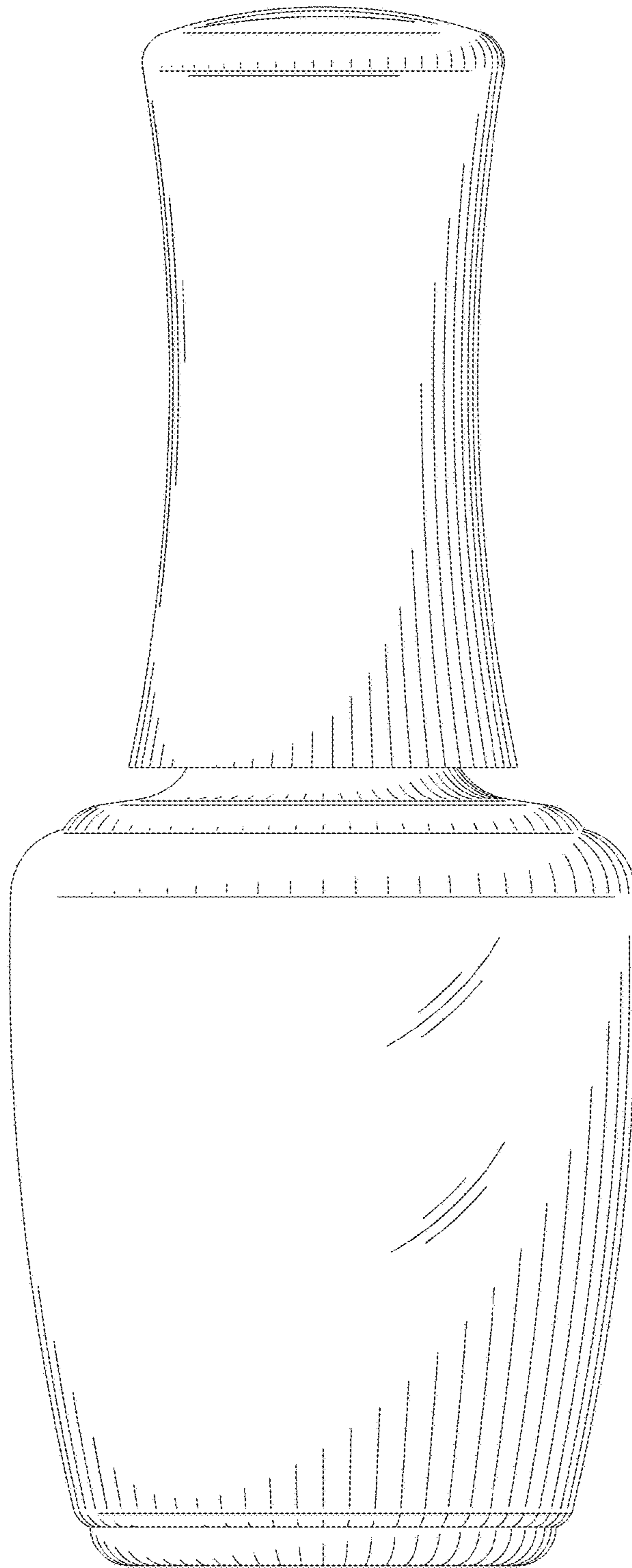


FIG. 3

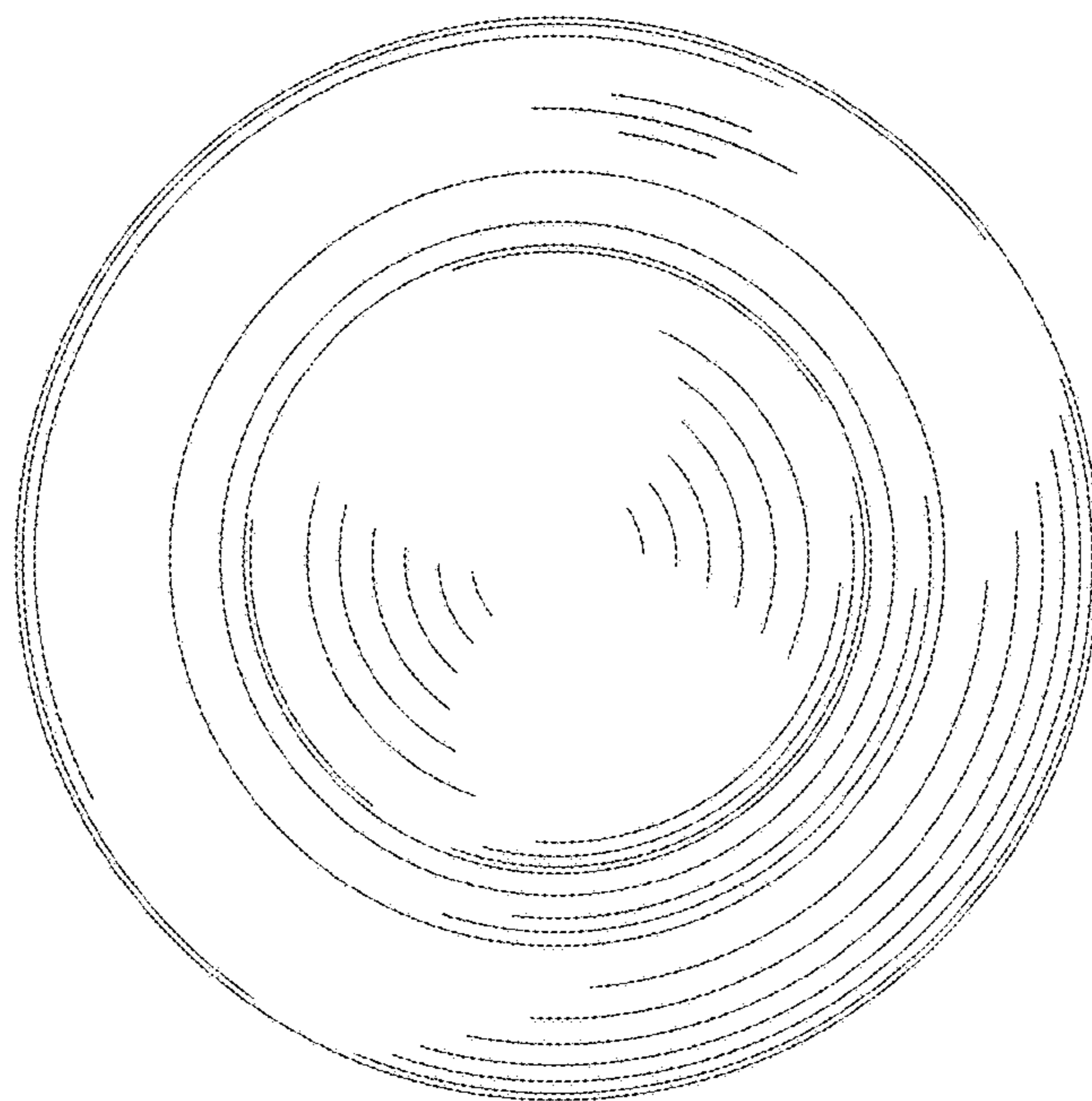


FIG. 4

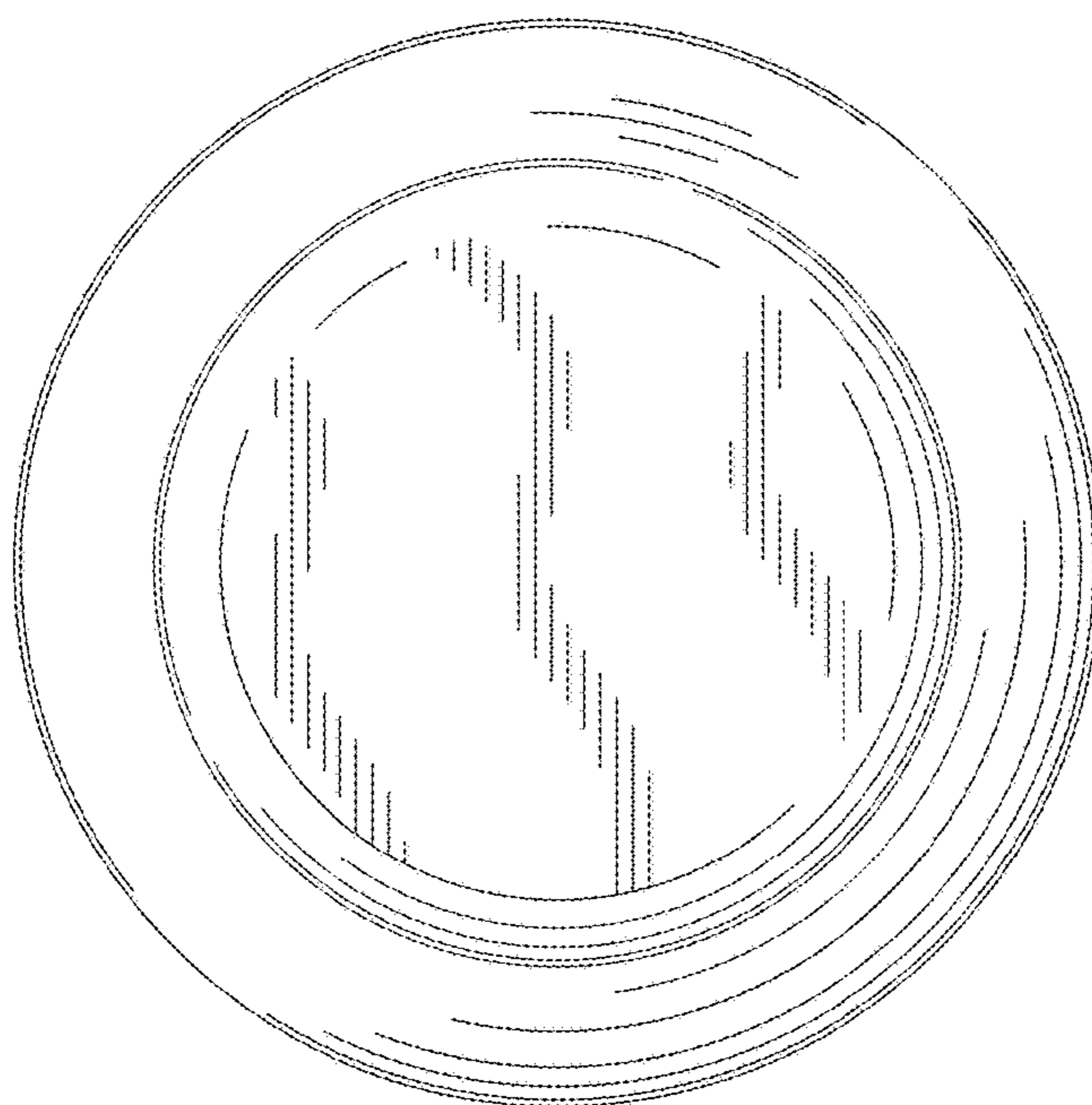


FIG. 5