



US00D845772S

(12) **United States Design Patent**  
**Hall et al.**

(10) **Patent No.:** **US D845,772 S**  
(45) **Date of Patent:** **\*\* Apr. 16, 2019**

- (54) **BOTTLE**
- (71) Applicant: **Monster Energy Company**, Corona, CA (US)
- (72) Inventors: **Mark Hall**, Kailua-Kona, HI (US); **Scot De Lorme**, Laguna Beach, CA (US); **Walter Strasser**, Manchester, MI (US)
- (73) Assignee: **Monster Energy Company**, Corona, CA (US)
- (\*\*) Term: **15 Years**
- (21) Appl. No.: **29/626,416**
- (22) Filed: **Nov. 16, 2017**
- (51) **LOC (11) Cl.** ..... **09-01**
- (52) **U.S. Cl.**  
USPC ..... **D9/502**
- (58) **Field of Classification Search**  
USPC ..... D9/500, 502-505, 516, 549, 557-558, D9/715, 719  
CPC ..... B65D 1/00; B65D 1/02; B65D 1/0223; B65D 1/42; B65D 1/44; B65D 23/00; B65D 81/00; B65D 2501/00; B65D 2501/0009; B65D 2501/0018; B65D 2501/0036  
See application file for complete search history.

(56) **References Cited**

**U.S. PATENT DOCUMENTS**

- 2,670,868 A \* 3/1954 Stover ..... B65D 43/0222 215/46
- D411,750 S 6/1999 Forecast et al.
- D412,281 S 7/1999 Lindsay et al.
- D427,910 S 7/2000 Barnes et al.
- D428,814 S 9/2000 Silver et al.
- 6,296,131 B2 10/2001 Rashid
- D450,244 S 11/2001 Rashid

- D453,003 S 1/2002 Rashid
- D456,704 S 5/2002 Ranchetti
- D457,055 S 5/2002 Ranchetti
- D457,435 S 5/2002 Rashid
- D464,569 S 10/2002 Moore et al.
- D471,452 S 3/2003 Bretz et al.
- 6,971,530 B2 \* 12/2005 Darr ..... B29C 49/0073 215/375
- 7,051,890 B2 5/2006 Onoda et al.
- 7,296,701 B2 11/2007 Ozawa et al.
- D603,707 S 11/2009 Lourenco et al.
- D611,345 S 3/2010 Bangi et al.
- D611,816 S 3/2010 Bangi et al.
- D614,963 S 5/2010 Arnell
- D641,244 S 7/2011 Bysick et al.
- D641,629 S 7/2011 Miceli et al.
- D709,377 S 7/2014 Kondo
- D739,256 S \* 9/2015 Kim ..... D9/503
- D740,663 S 10/2015 Zeboudj
- 9,150,320 B2 10/2015 Wurster et al.

(Continued)

*Primary Examiner* — Dana Meyrow

(74) *Attorney, Agent, or Firm* — Knobbe, Martens, Olson & Bear, LLP

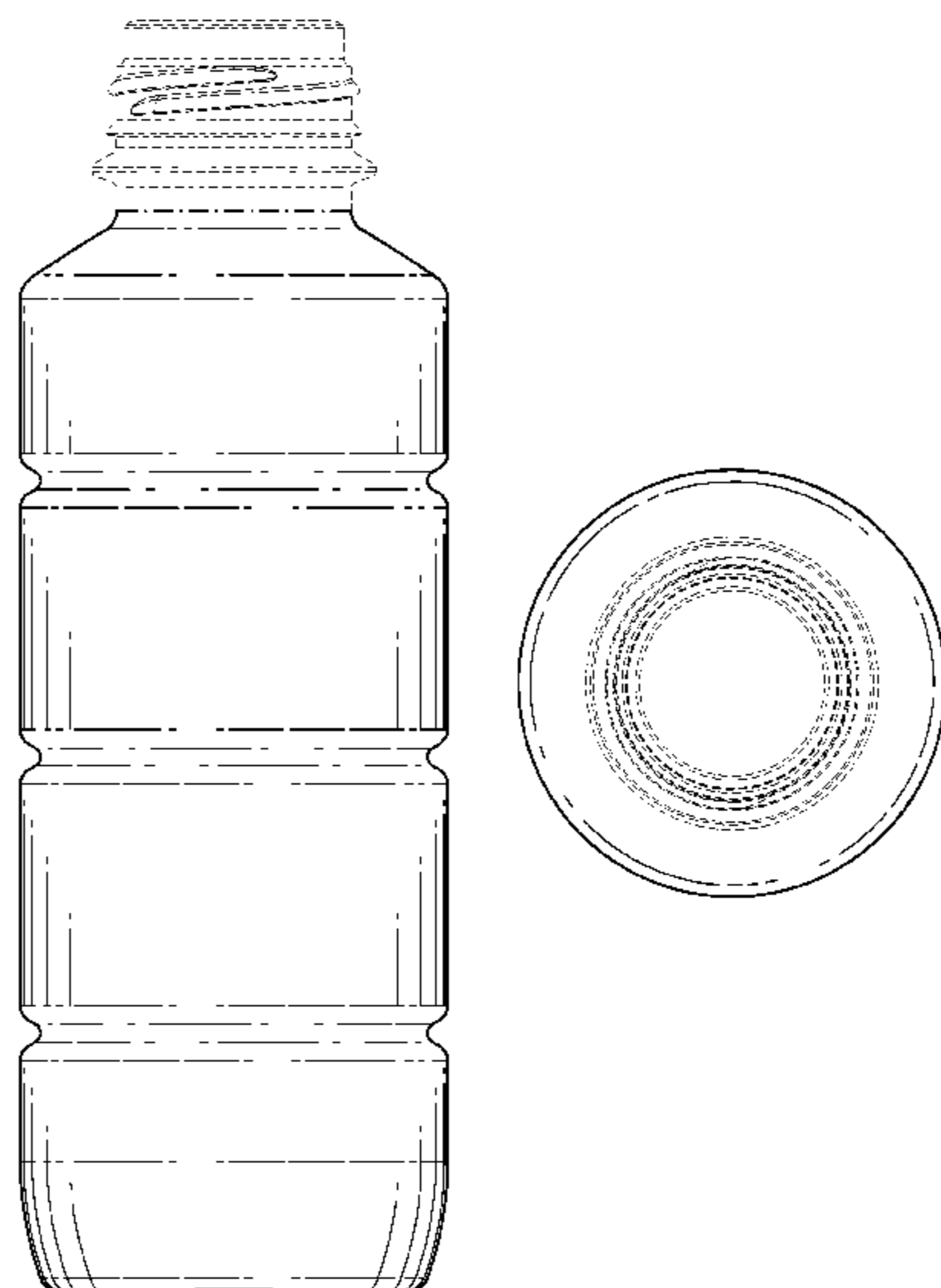
(57) **CLAIM**

The ornamental design for a bottle, as shown and described.

**DESCRIPTION**

FIG. 1 is a perspective view of a bottle of our design; FIG. 2 is a front view thereof; FIG. 3 is a rear view thereof; FIG. 4 is a right side view thereof; FIG. 5 is a left side view thereof; FIG. 6 is a top view thereof; and, FIG. 7 is a bottom view thereof. The evenly-dashed broken lines in the drawings illustrate the portions of the bottle that form no part of the claimed design. The dot-dash broken line in FIGS. 1-5 represents the upper boundary of the claim and forms no part thereof.

**1 Claim, 6 Drawing Sheets**



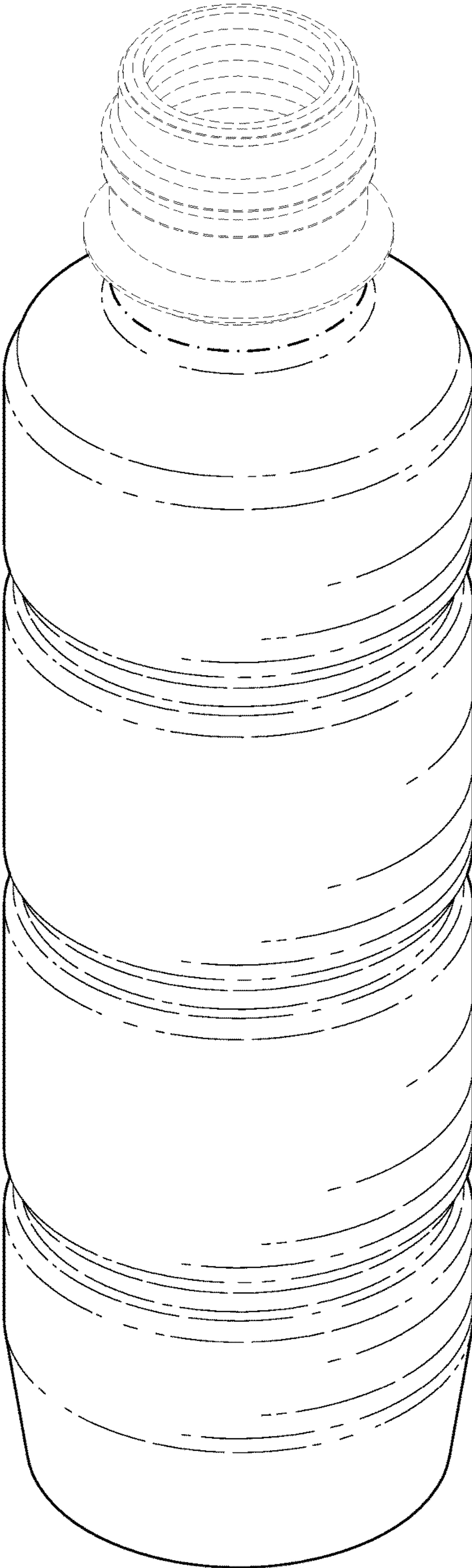
(56)

**References Cited**

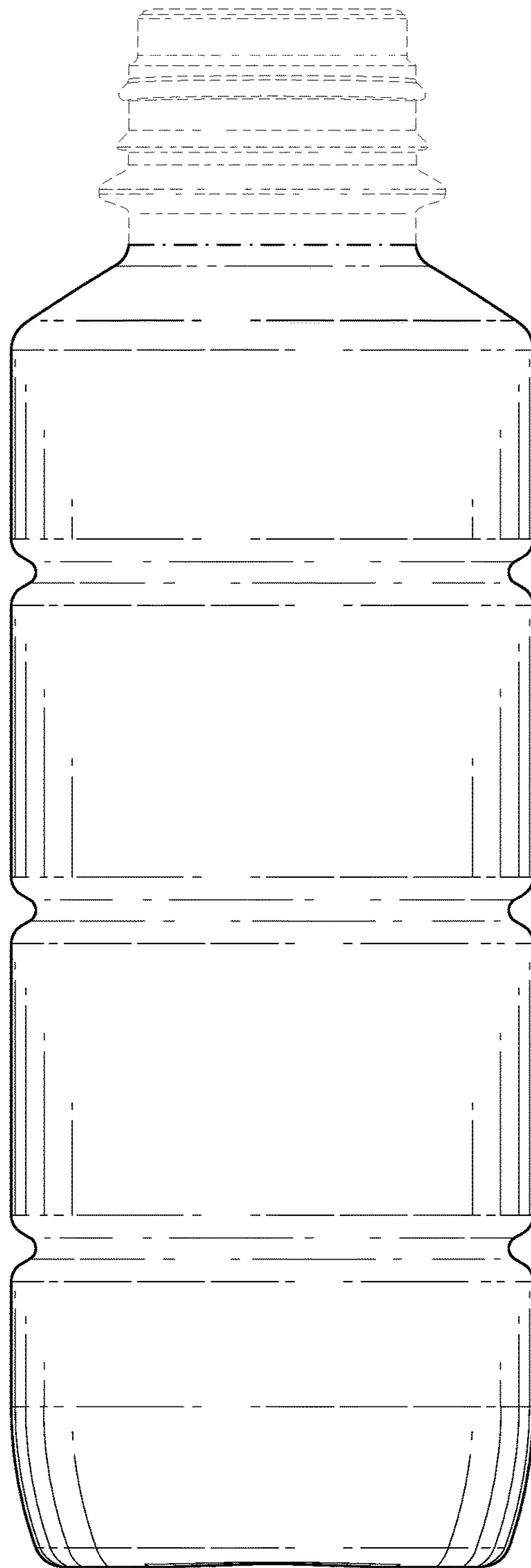
U.S. PATENT DOCUMENTS

D817,181 S \* 5/2018 Tran ..... D9/630  
D819,410 S \* 6/2018 Seiders ..... D7/608

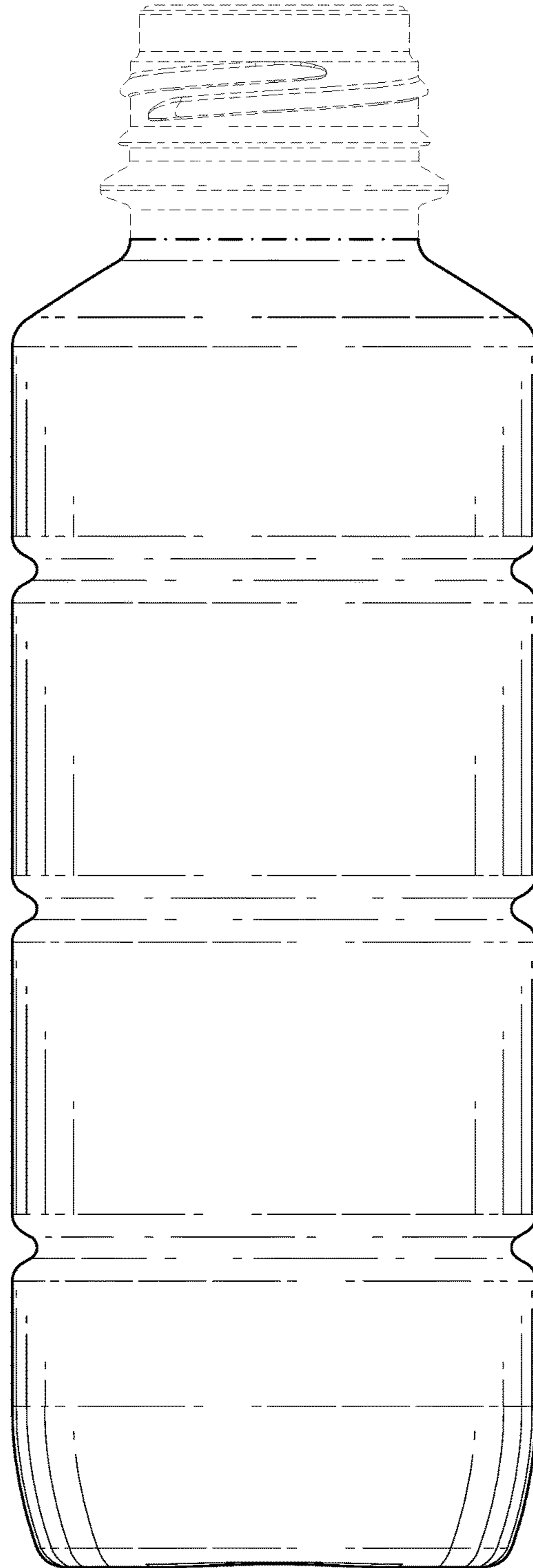
\* cited by examiner



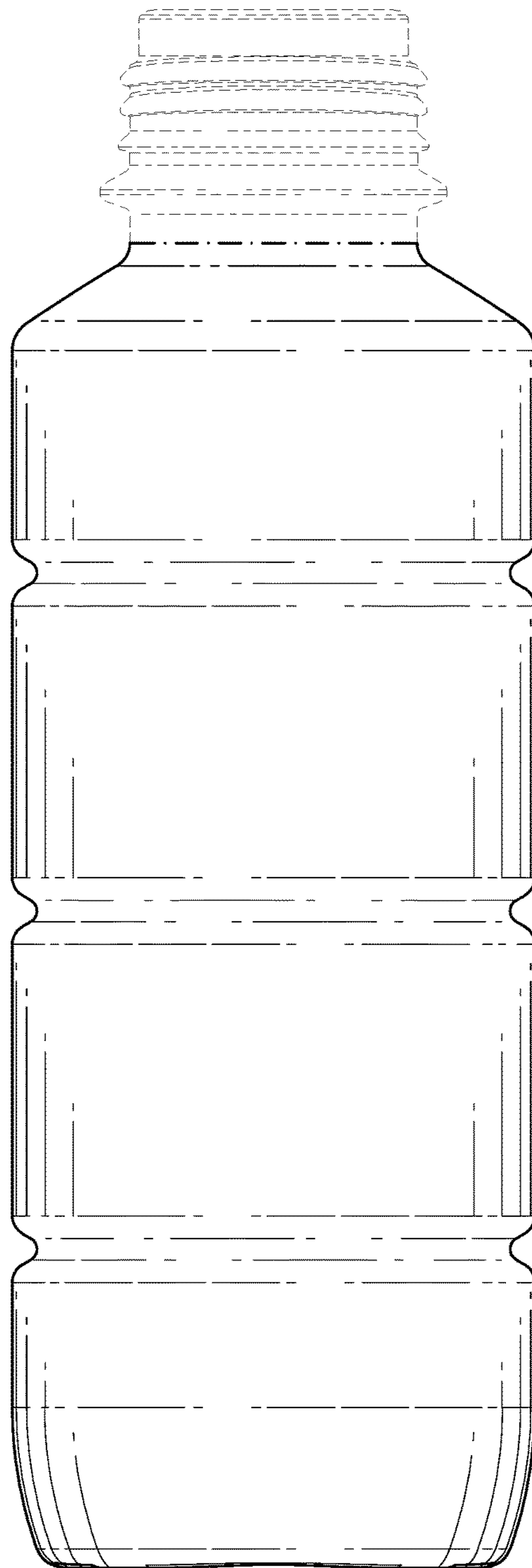
*FIG. 1*



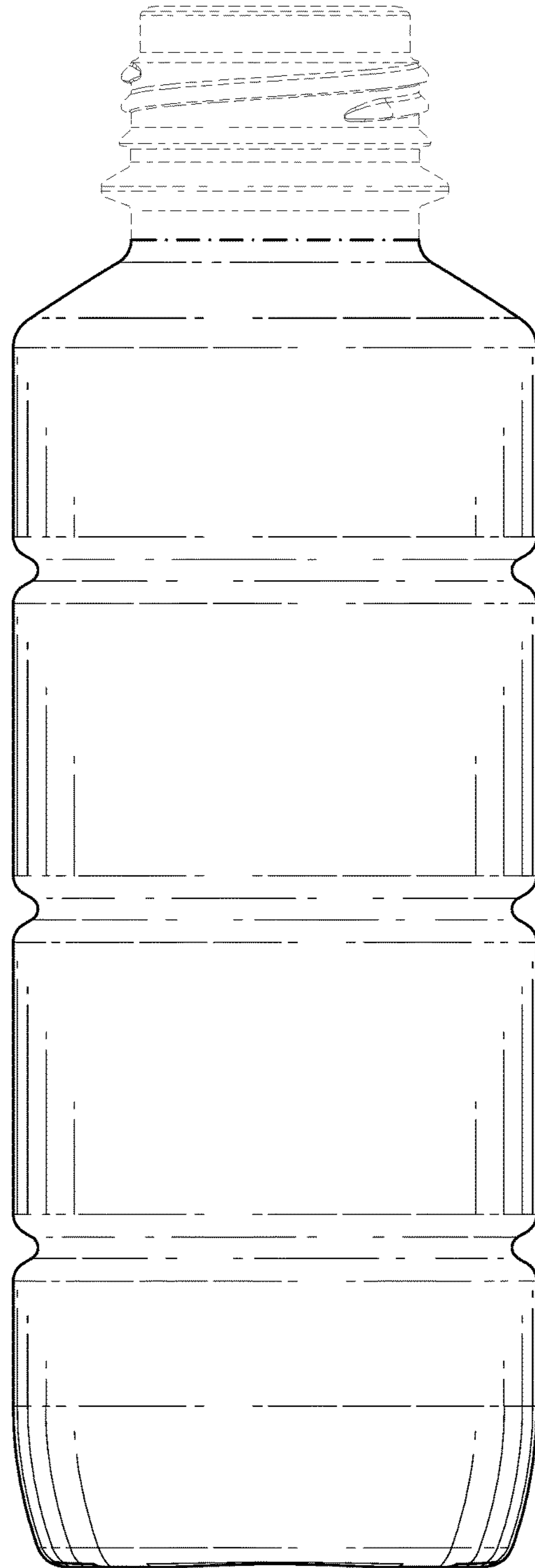
*FIG. 2*



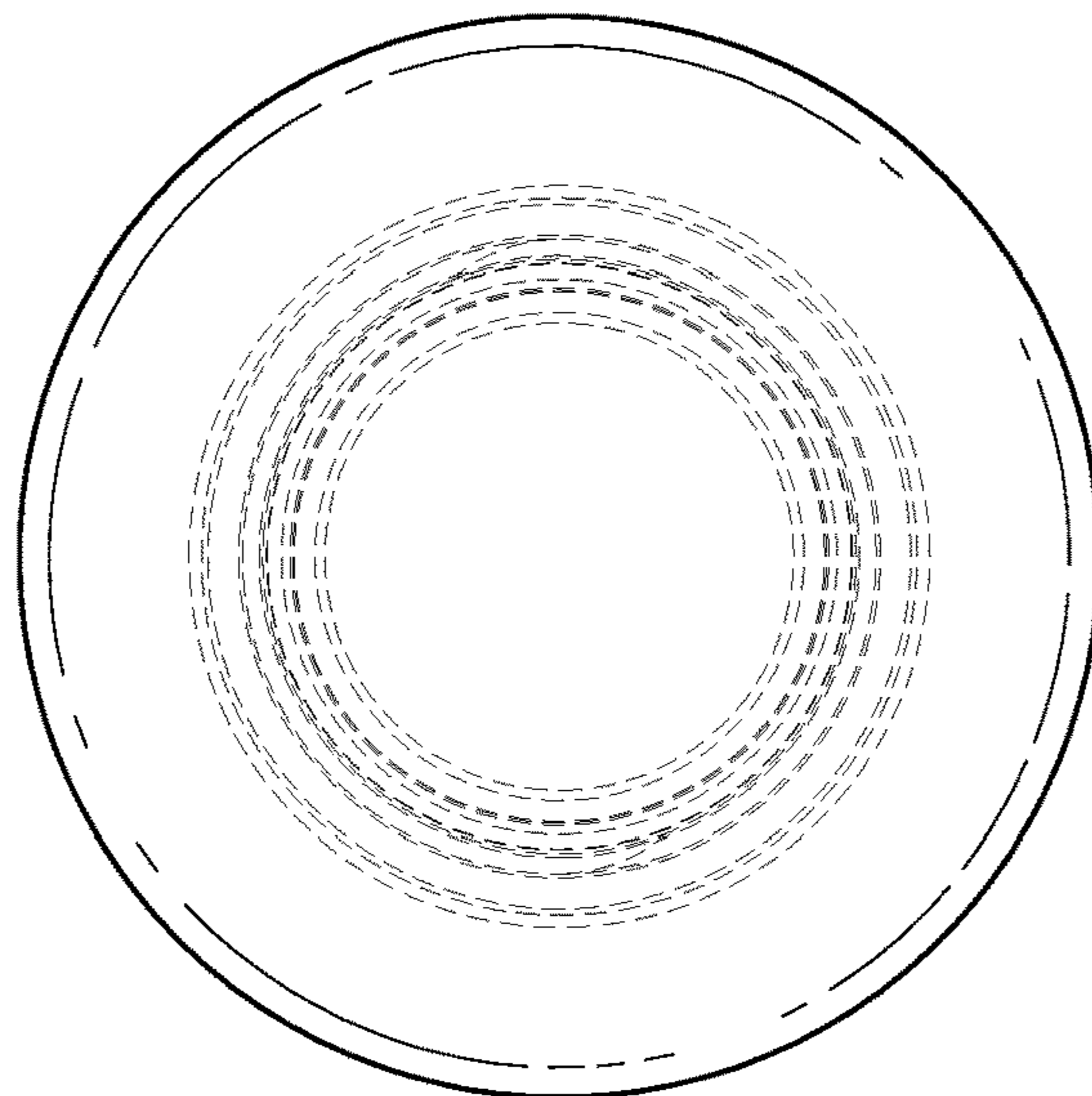
*FIG. 3*



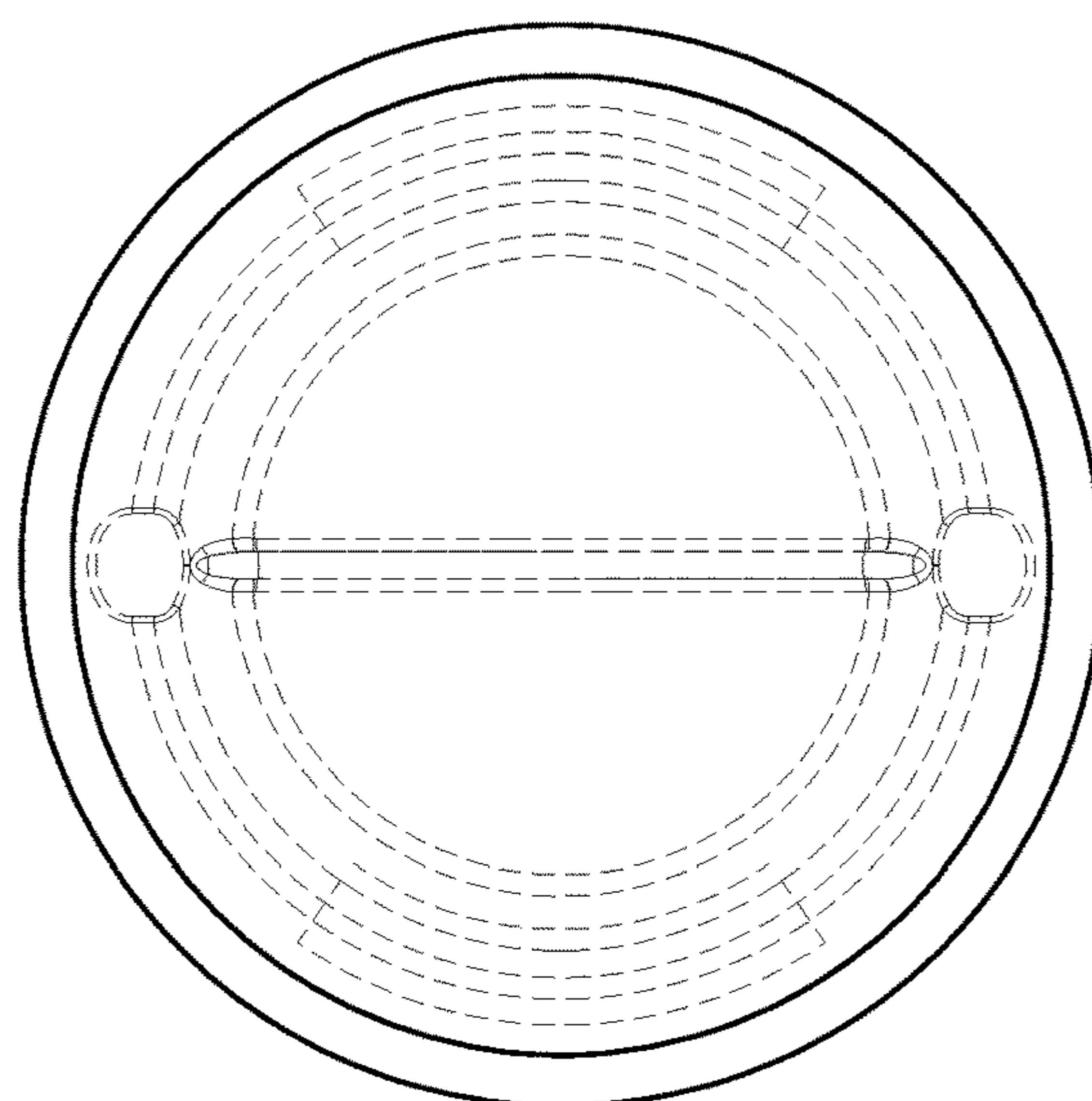
*FIG. 4*



*FIG. 5*



*FIG. 6*



*FIG. 7*