



US00D845771S

(12) **United States Design Patent**
Davila Bracho et al.

(10) **Patent No.:** **US D845,771 S**
(45) **Date of Patent:** **** Apr. 16, 2019**

(54) **CUP FOR A YOGURT PRODUCT**
(71) Applicant: **Chobani LLC**, Norwich, NY (US)
(72) Inventors: **Ricardo Daniel Davila Bracho**, New York, NY (US); **John M. Gray**, Mount Vision, NY (US); **Jean-Yves Latour**, Utica, NY (US); **Christopher Ryan**, Fairfield, CT (US); **Niel Sanford**, Warwick, NY (US)
(73) Assignee: **Chobani LLC**, New York, NY (US)
(**) Term: **15 Years**

(21) Appl. No.: **29/627,507**
(22) Filed: **Nov. 28, 2017**
(51) **LOC (11) Cl.** **09-03**
(52) **U.S. Cl.**
USPC **D9/500**
(58) **Field of Classification Search**
USPC D9/414, 416, 418, 424-425, 428-429,
D9/434-435, 438, 500, 503-504, 516,
D9/518, 549, 558, 715-716;
D7/629-630, 400; D24/121
CPC . B65D 1/00; B65D 1/26; B65D 1/265; B65D
17/00; B65D 17/02; B65D 17/50; B65D
17/501; B65D 23/00; B65D 25/00; B65D
81/00; B65D 85/804; B65D 85/8043;
B65D 85/8046; B65D 2501/00; B65D
2501/0009; B65D 2543/00833
See application file for complete search history.

(56) **References Cited**
U.S. PATENT DOCUMENTS
D257,931 S 1/1981 Conti
D383,646 S * 9/1997 Jeppesen D7/543
D453,094 S * 1/2002 Maggard D7/584
D469,688 S 2/2003 Kim et al.

6,648,163 B2 * 11/2003 Porter, III B65D 77/2024
220/359.2
D509,106 S * 9/2005 de Groote D7/587
D532,293 S * 11/2006 Martin D9/503
D575,992 S * 9/2008 LeGreve D7/586
D603,266 S 11/2009 Dibnah et al.
D605,502 S * 12/2009 Honda D9/429
D606,402 S 12/2009 Diss
D606,404 S 12/2009 Diss
D606,405 S 12/2009 Takata et al.
D606,406 S 12/2009 Takata et al.
D607,727 S 1/2010 Takata et al.
D612,732 S * 3/2010 Takata D9/428
D613,598 S 4/2010 Westphal
D636,670 S * 4/2011 Schedl D9/435
D642,055 S * 7/2011 Schedl D9/435

(Continued)

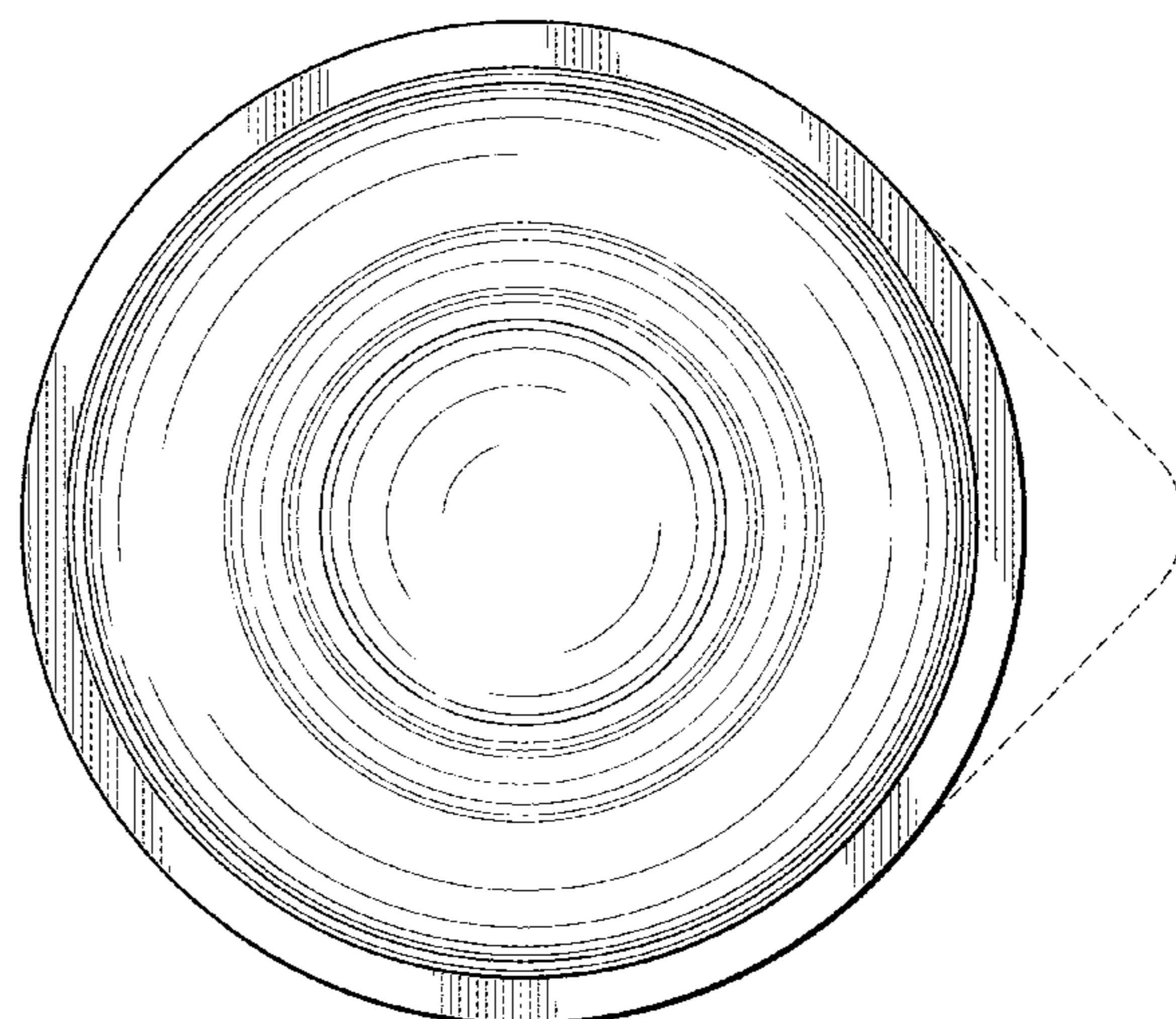
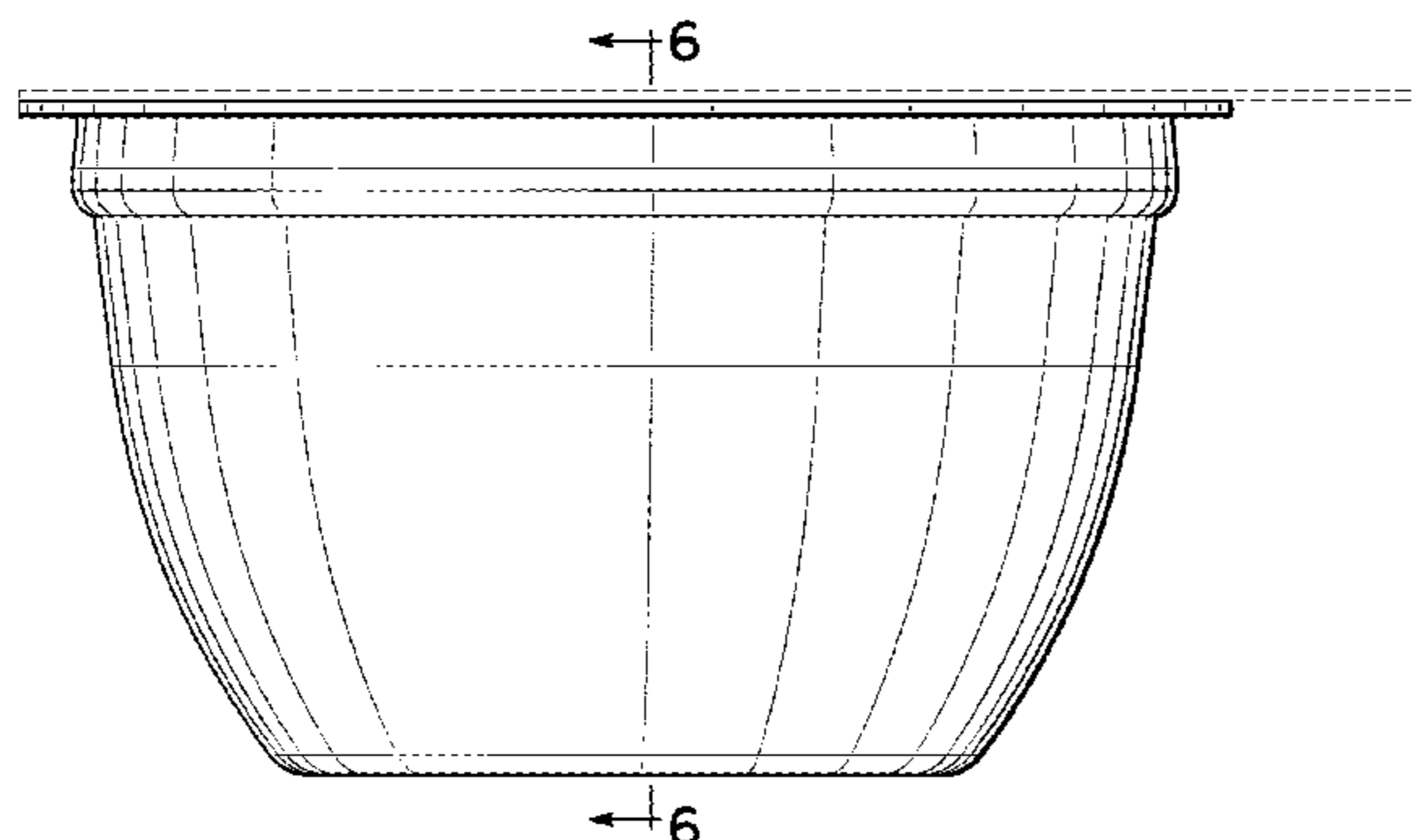
Primary Examiner — Dana Meyrow
(74) *Attorney, Agent, or Firm* — Wood Herron & Evans
LLP

(57) **CLAIM**
The ornamental design for a cup for a yogurt product
therefor, as shown and described.

DESCRIPTION

FIG. 1 is a top, front, left side perspective view of a cup for a yogurt product according to the present invention; FIG. 2 is a front elevation view thereof, the rear elevation view being identical; FIG. 3 is a left side elevation view thereof, the right side elevation view being a mirror image; FIG. 4 is a top plan view thereof; FIG. 5 is a bottom plan view thereof; and, FIG. 6 is a cross-section view taken along the line 6-6 in FIG. 3.
The unshaded areas in the drawings shown in broken lines illustrate the portions of the cup for a yogurt product that form no part of the claimed design. The inside of the cup for a yogurt product shown in FIG. 6 is not included in the claim thereof.

1 Claim, 3 Drawing Sheets



(56)

References Cited

U.S. PATENT DOCUMENTS

D642,454	S	8/2011	Santoiemmo	
D642,463	S *	8/2011	Schedl	D9/435
D649,054	S	11/2011	Sharma et al.	
D651,096	S *	12/2011	Nakagiri	D7/400
D651,865	S	1/2012	Smyers	
D651,866	S	1/2012	Smyers	
D657,252	S	4/2012	Crapser et al.	
D665,663	S	8/2012	Krupa	
D673,054	S	12/2012	Kim et al.	
D675,929	S	2/2013	Park et al.	
D684,459	S	6/2013	Stowe et al.	
D685,263	S	7/2013	Danenberg	
D692,759	S	11/2013	Rapparini	
D697,801	S	1/2014	Rapparini	
D751,385	S	3/2016	Rapparini	
D764,270	S	8/2016	Paton et al.	
D764,871	S	8/2016	Touchet et al.	
D823,051	S *	7/2018	Sharma	D9/503
D826,053	S *	8/2018	Schaling	D9/503
2005/0017013	A1 *	1/2005	Peisach	B65D 1/26 220/609
2012/0199599	A1 *	8/2012	Minnette	B65D 43/0212 220/780

* cited by examiner

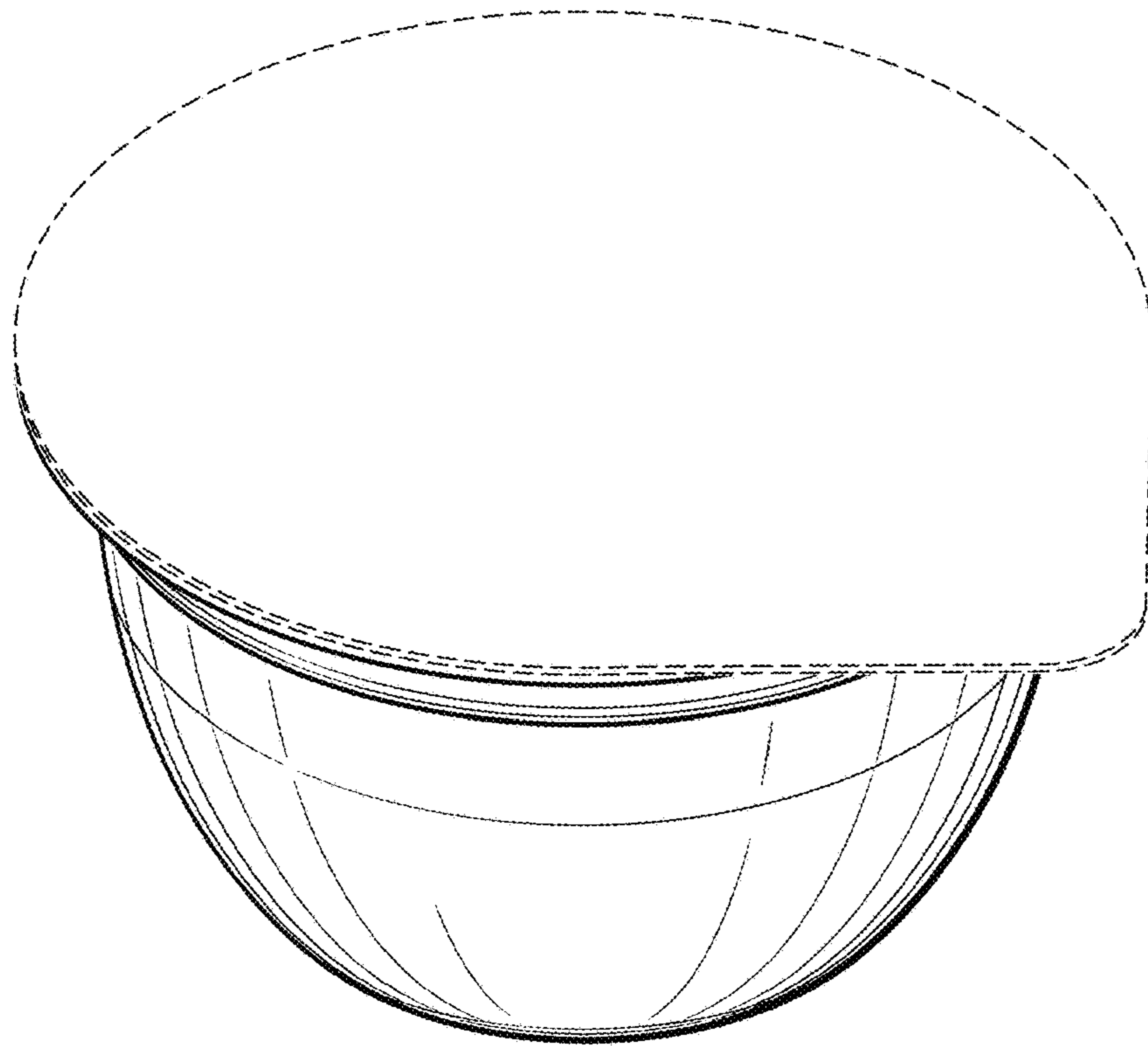


FIG. 1

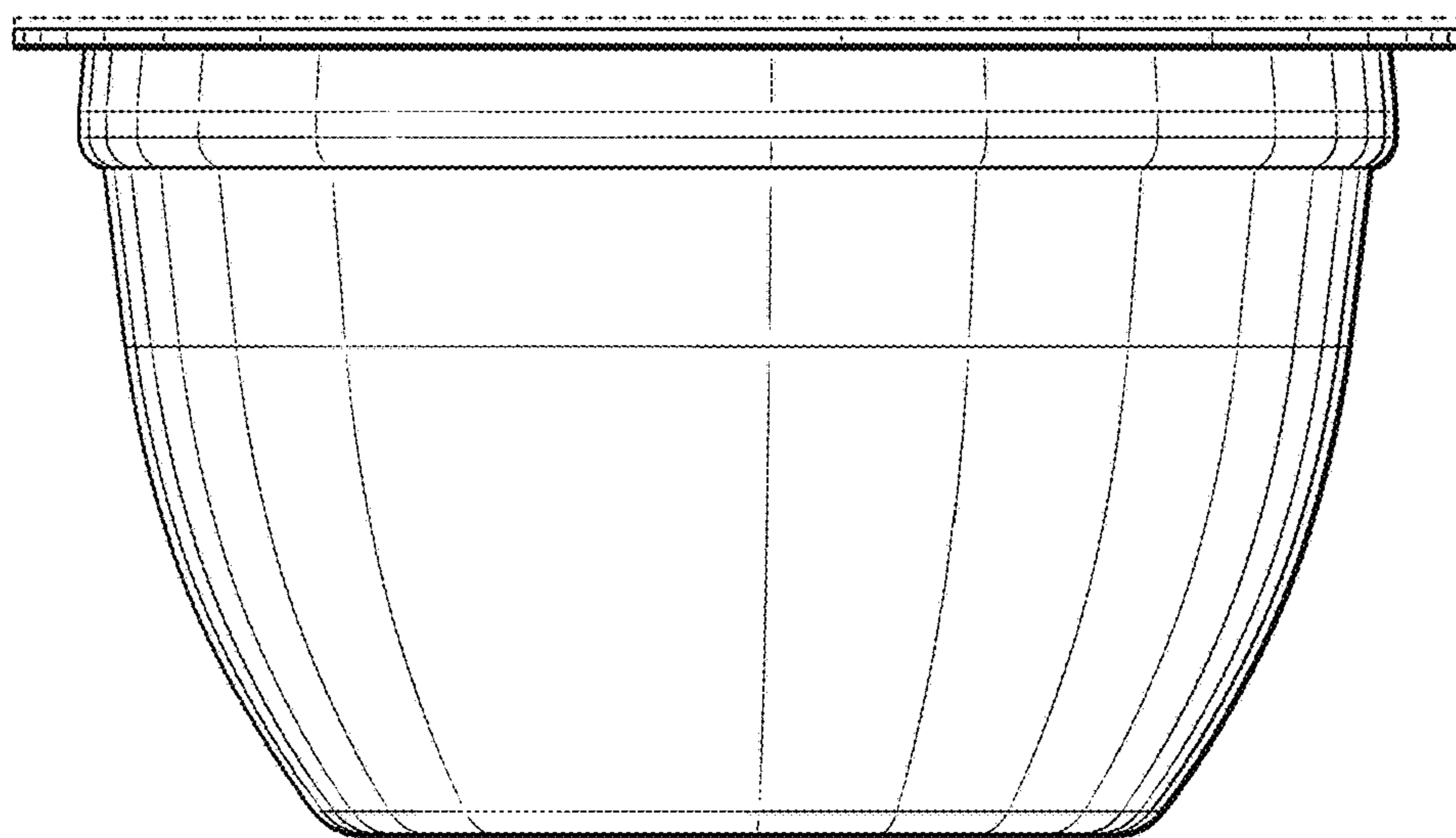
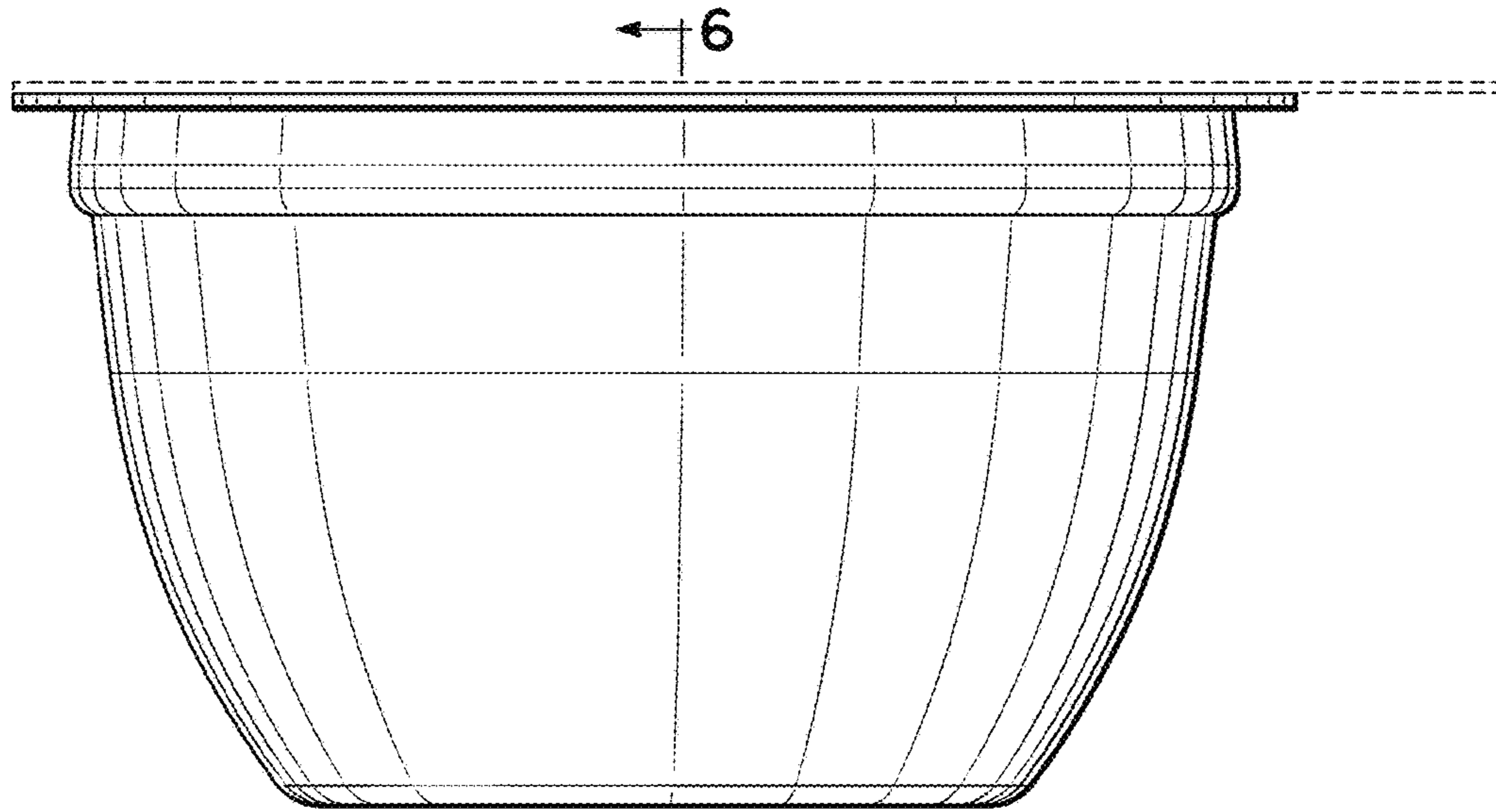


FIG. 2



← 6
← 6
FIG. 3

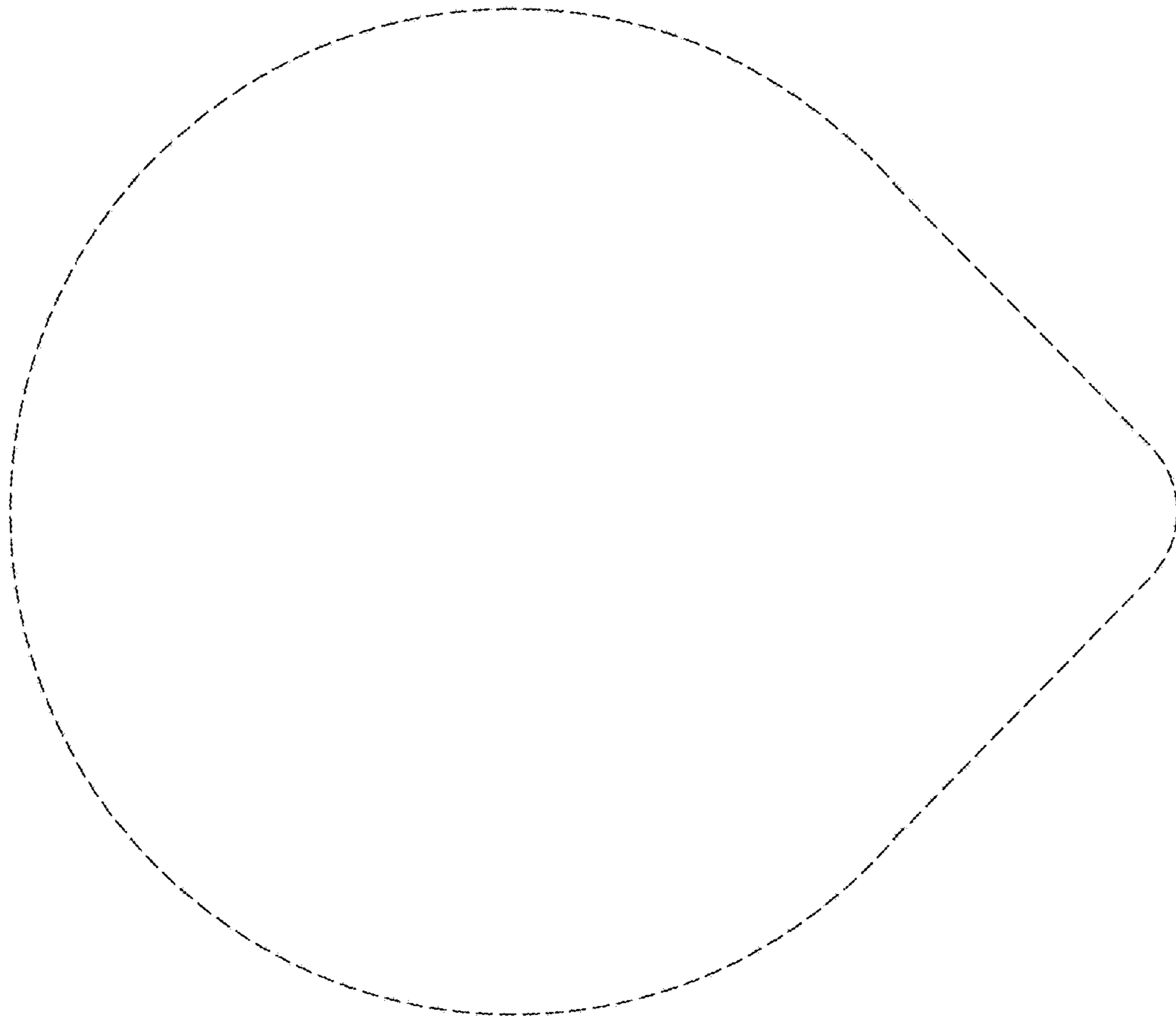


FIG. 4

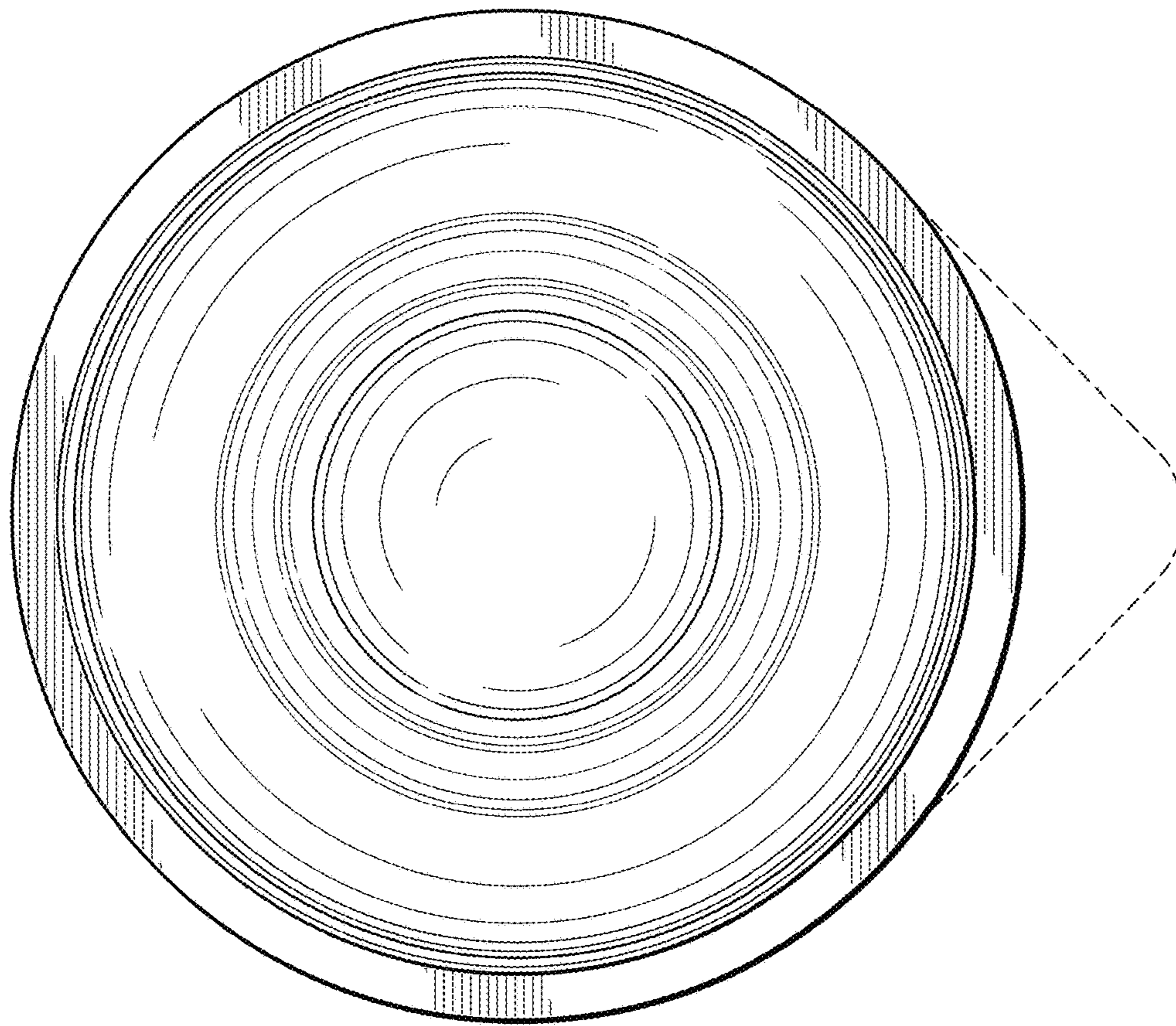


FIG. 5

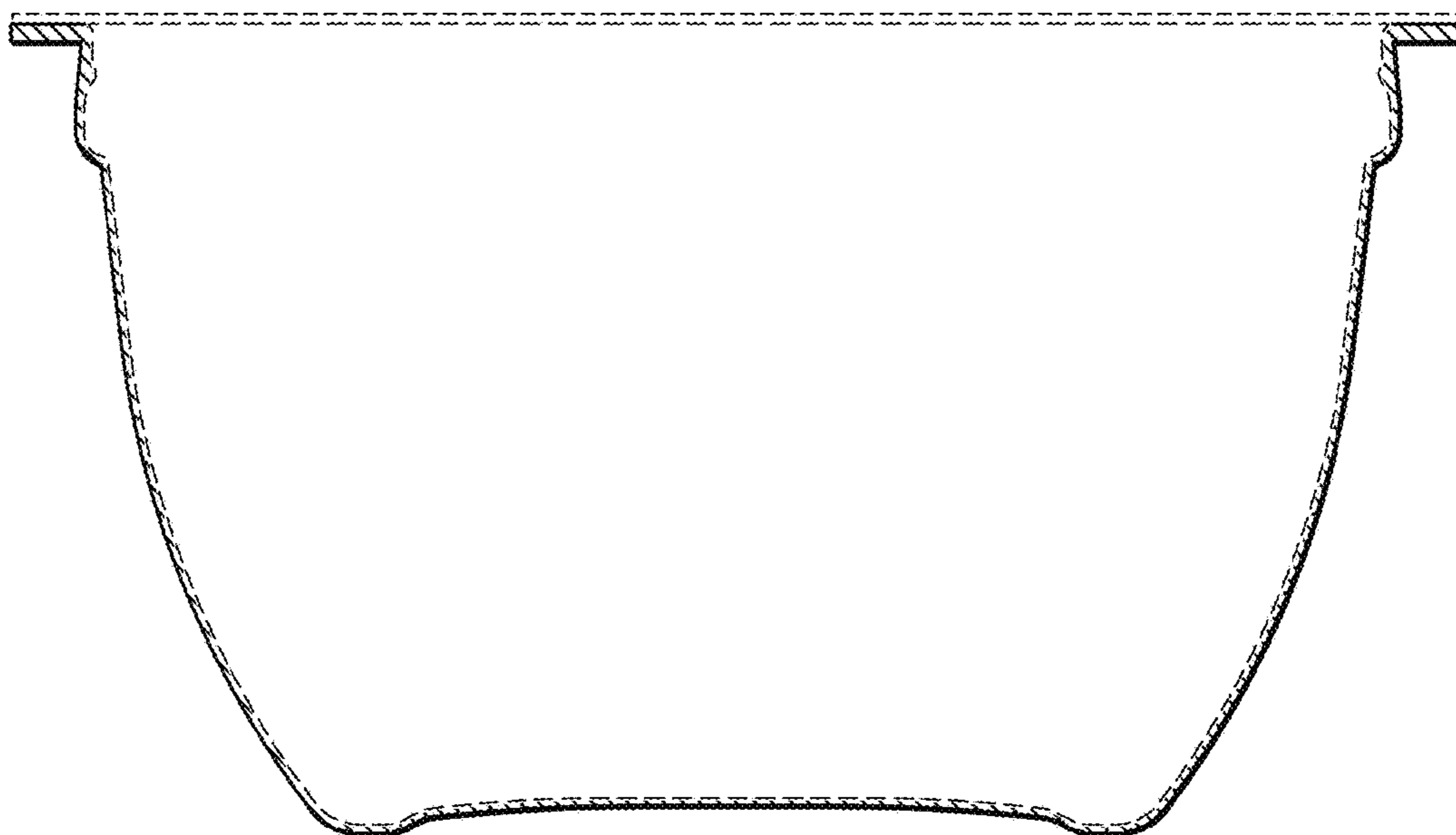


FIG. 6