



US00D845769S

(12) **United States Design Patent**
Delbon

(10) **Patent No.:** **US D845,769 S**

(45) **Date of Patent:** **** Apr. 16, 2019**

(54) **BOTTLE**

(71) Applicant: **Bruni Glass S.p.A.**, Trezzano Sul Naviglio (IT)

(72) Inventor: **Alessandra Delbon**, Lecco (IT)

(73) Assignee: **Bruni Glass S.p.A.**, Trezzano Sul Naviglio (MI) (IT)

(**) Term: **15 Years**

(21) Appl. No.: **29/577,296**

(22) Filed: **Sep. 12, 2016**

(30) **Foreign Application Priority Data**

Mar. 11, 2016 (EM) 003024637-0003

(51) **LOC (11) Cl.** **09-01**

(52) **U.S. Cl.**
USPC **D9/500; D9/520**

(58) **Field of Classification Search**
USPC D9/500, 503-505, 516, 544-545, 549, D9/558, 715, 719

CPC B65D 1/00; B65D 1/02; B65D 1/0223; B65D 23/00; B65D 2501/00; B65D 2501/0009

See application file for complete search history.

(56) **References Cited**

U.S. PATENT DOCUMENTS

D33,630 S * 12/1900 Kilmer D9/500
2,374,092 A * 4/1945 Glaser A47G 19/2205
141/380

D183,008 S * 6/1958 Lorenzen D9/538
3,014,607 A * 12/1961 Whitney B65D 83/38
215/12.2
3,745,150 A * 7/1973 Corsover B29C 49/0005
215/379
D292,824 S * 11/1987 Babashak D24/224
D431,468 S * 10/2000 Potts D9/500
D506,135 S * 6/2005 Breier D9/500
D670,177 S * 11/2012 Lario Rivas D9/500
D728,374 S * 5/2015 Doerr D9/550
D804,308 S * 12/2017 Reynolds D9/500
D813,676 S * 3/2018 Pelkey D9/500

* cited by examiner

Primary Examiner — Dana Meyrow

(74) *Attorney, Agent, or Firm* — Kirschstein, Israel, Schiffmiller & Pieroni, P.C.

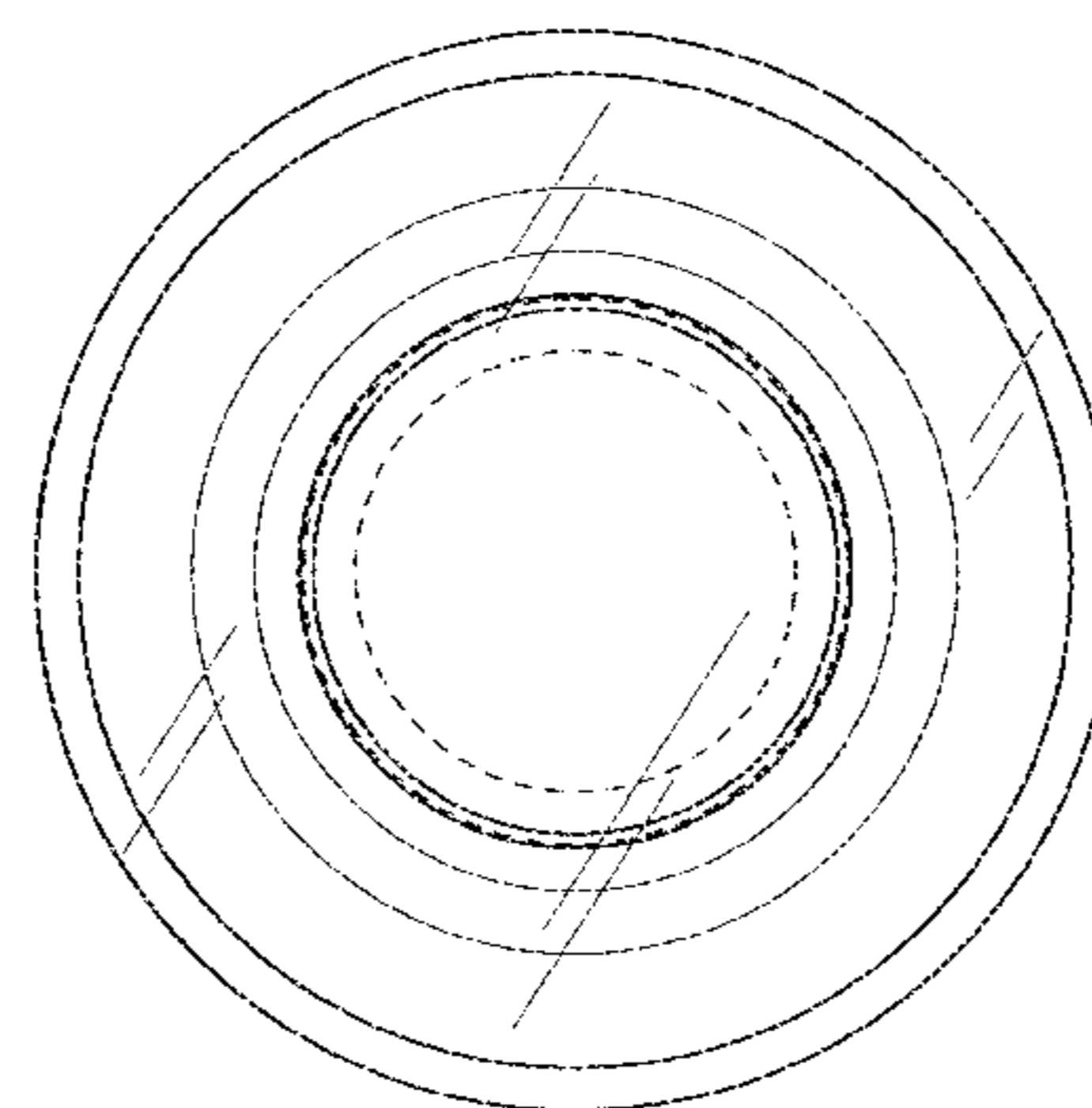
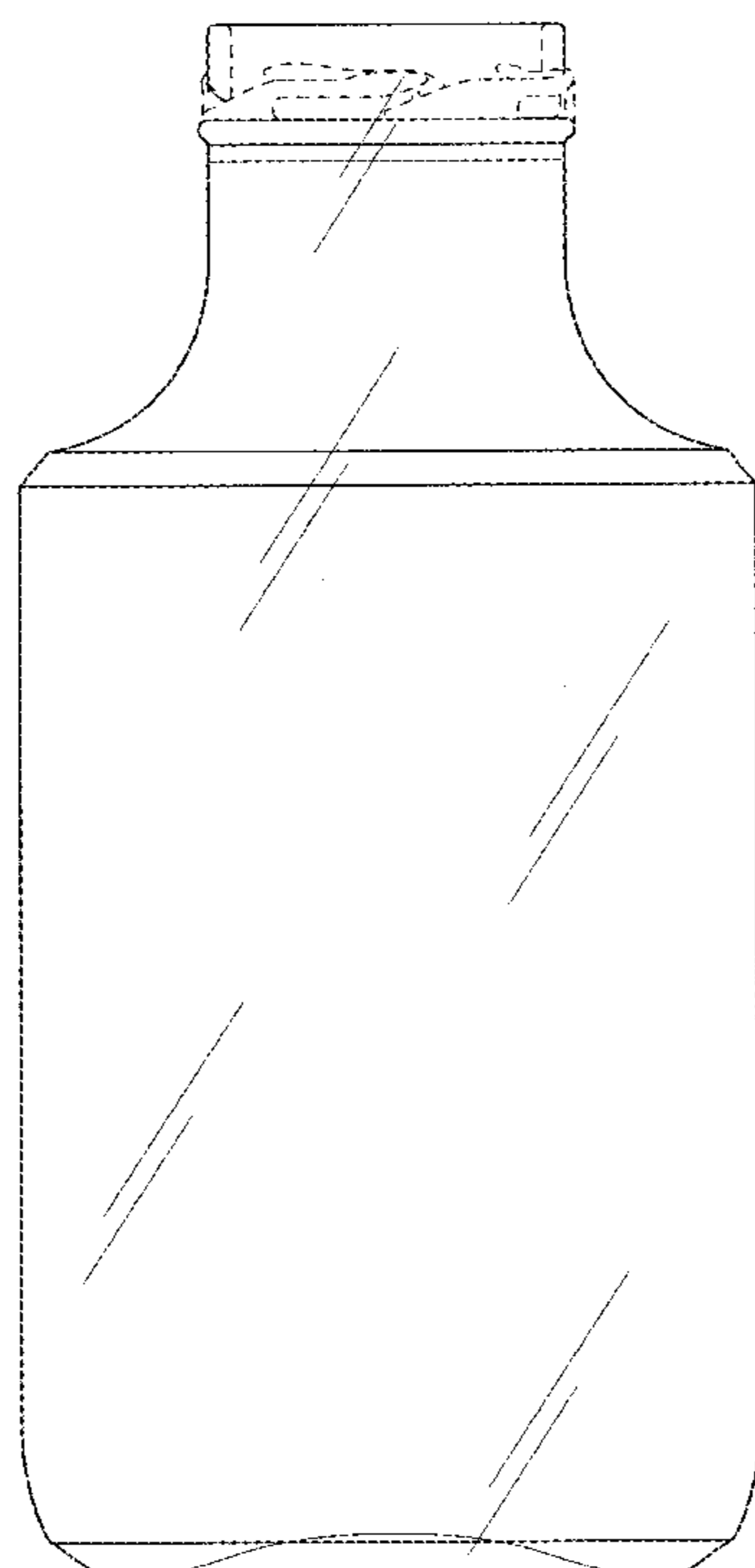
(57) **CLAIM**

The ornamental design for a bottle, as shown and described.

DESCRIPTION

FIG. 1 is a side elevation view of a bottle according to my new design, the opposing side elevation view being identical excluding the unclaimed thread element; FIG. 2 is a top plan view thereof; and, FIG. 3 is a bottom plan view thereof. The broken lines in the drawings illustrate the portions of the bottle that form no part of the claim.

1 Claim, 2 Drawing Sheets



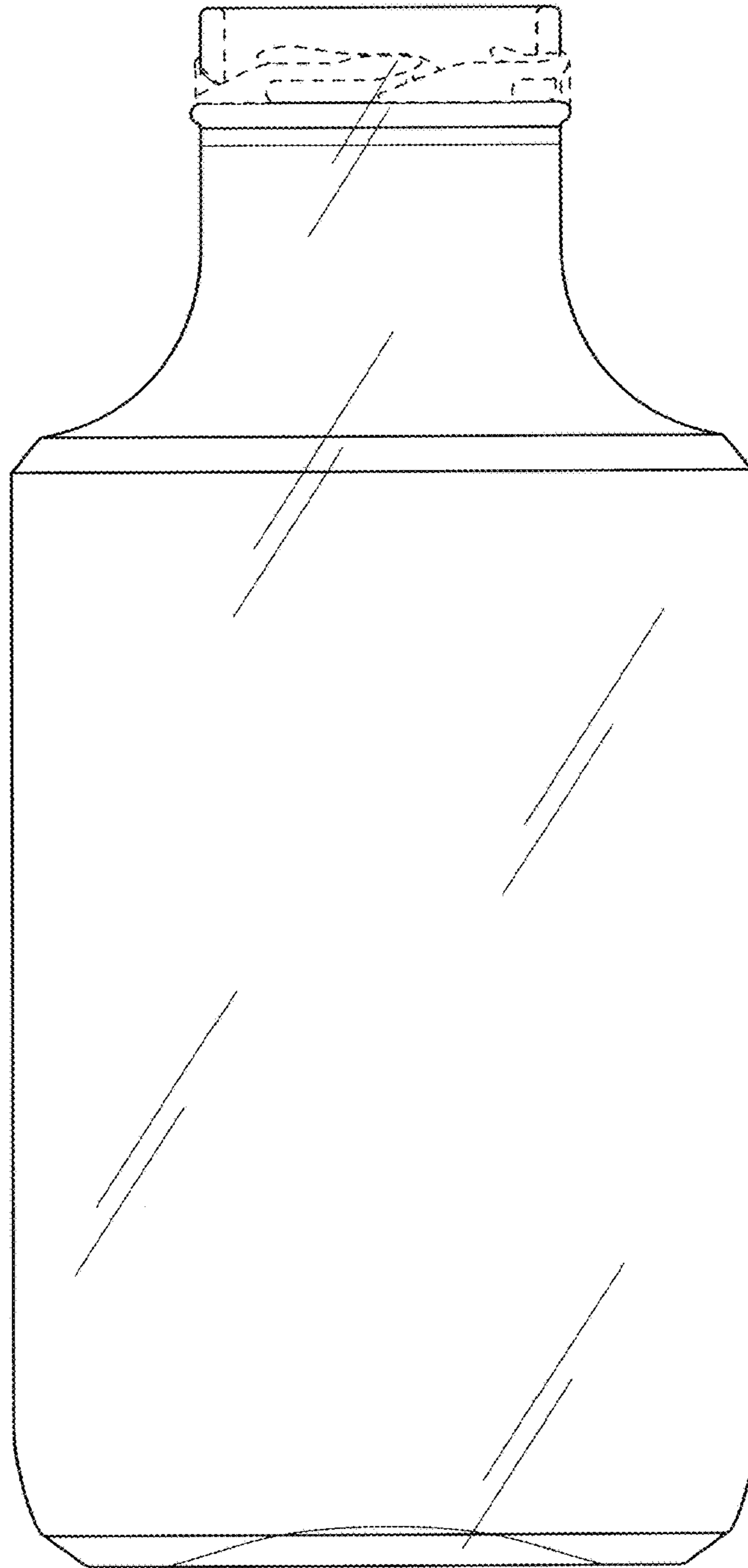


FIG. 1

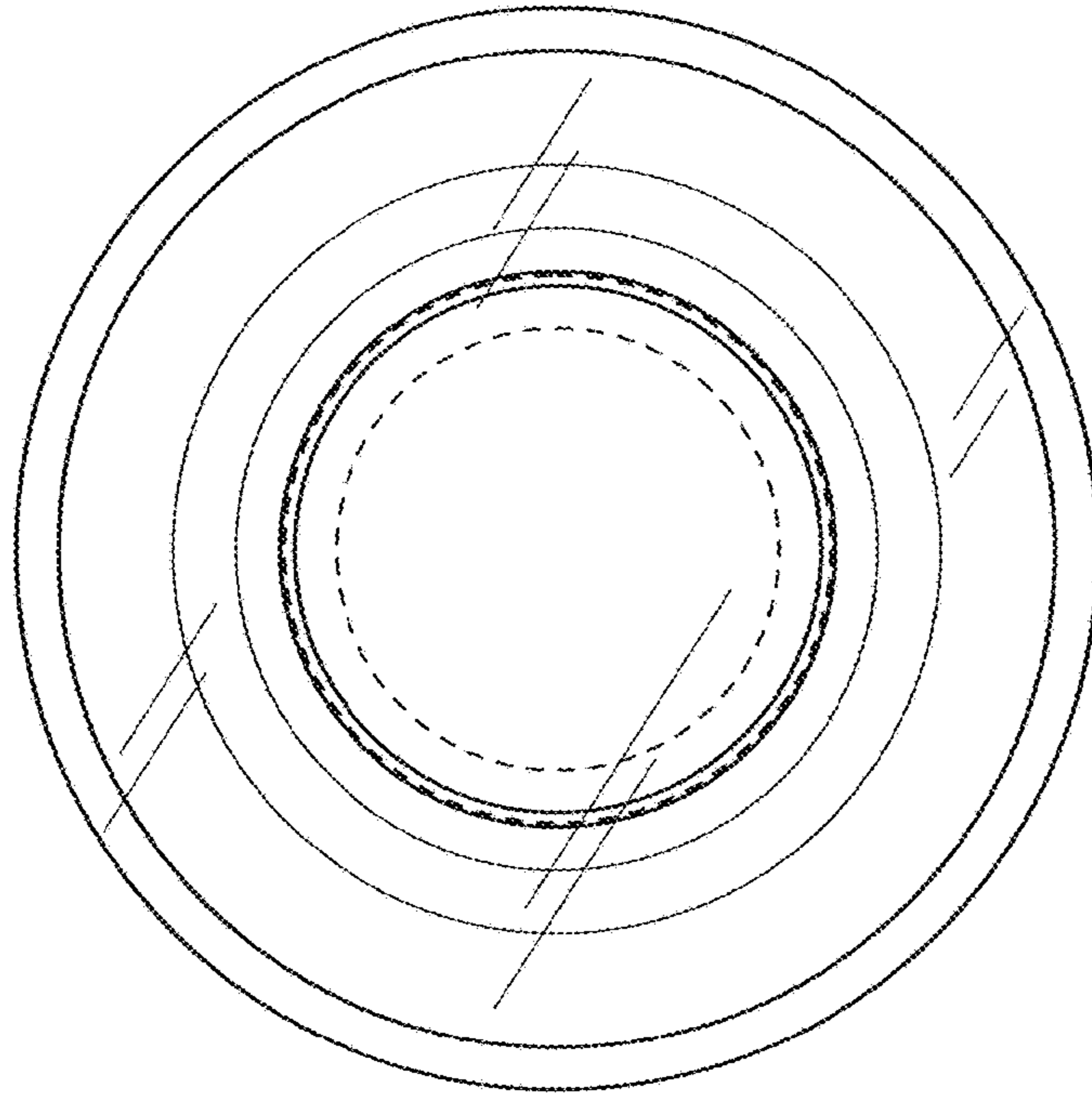


FIG. 2

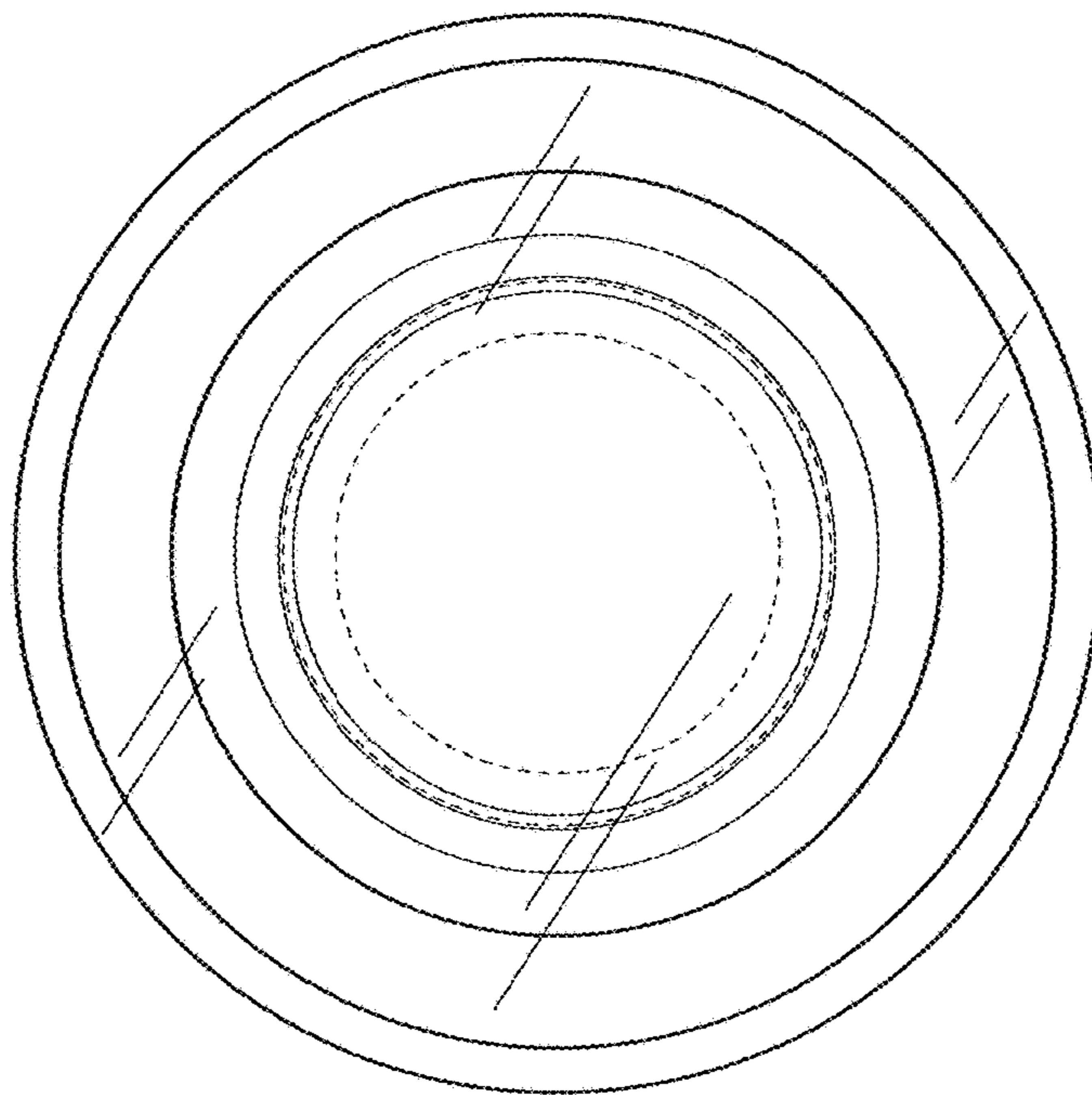


FIG. 3