



US00D845768S

(12) **United States Design Patent**
Mateus et al.

(10) **Patent No.:** **US D845,768 S**

(45) **Date of Patent:** **** Apr. 16, 2019**

(54) **CONTAINER**

(71) Applicant: **Natura Cosméticos S.A.**, São Paulo (BR)

(72) Inventors: **Alessandra de Lourdes Mateus**, Cajamar (BR); **Damaris Maggiotto**, Cajamar (BR); **Vinícius Crepaldi**, Cajamar (BR); **Gustavo Senna Chelles**, São Paulo (BR); **Marcio Fernando Fernandes Mota**, São Paulo (BR); **Luca Bacchiocchi**, São Paulo (BR); **Cristiane Inoue Cardoso da Silva**, São Paulo (BR)

(73) Assignee: **NATURA COSMETICOS S.A.**, Sao Paulo—SP (BR)

(**) Term: **15 Years**

(21) Appl. No.: **29/539,112**

(22) Filed: **Sep. 10, 2015**

(51) **LOC (11) Cl.** **09-01**

(52) **U.S. Cl.**
USPC **D9/500**

(58) **Field of Classification Search**
USPC D9/414, 416, 420, 428, 434–436, 438, D9/454, 500, 503, 516, 518, 549, 558, D9/715, 716; D28/4, 873, 76, 78, 82, 88, D28/91
CPC B65D 43/00; B65D 43/02; B65D 43/162; B65D 1/10; B65D 2101/0023; B65D 2543/00435

See application file for complete search history.

(56) **References Cited**

U.S. PATENT DOCUMENTS

D424,749 S * 5/2000 Zalzal D28/76
D467,805 S * 12/2002 Restrepo D9/500

D577,290 S * 9/2008 Moretti D9/500
D578,891 S * 10/2008 Canamasas Puigbo D9/500
D588,011 S * 3/2009 Shimizu D9/454
D595,578 S * 7/2009 Del Tedesco Zamberlan D28/76
D621,708 S * 8/2010 Thomas D9/500
D631,608 S * 1/2011 Pires D28/82
D685,263 S * 7/2013 Danenberg D9/500
D711,239 S * 8/2014 Julier D9/549
9,101,192 B2 * 8/2015 Martins A45D 33/006
D746,627 S * 1/2016 Puigbo D9/503
9,375,071 B1 * 6/2016 Wang A45D 40/221
D769,719 S * 10/2016 Lebon D9/500
2009/0272399 A1 * 11/2009 Kim A45D 33/008
132/293
2010/0307521 A1 * 12/2010 Pires A45D 33/006
132/200
2015/0122697 A1 * 5/2015 Shen A45D 33/00
206/581

(Continued)

Primary Examiner — Ian Simmons

Assistant Examiner — Keith Frank

(74) *Attorney, Agent, or Firm* — B. Aaron Schulman, Esq.; Stites & Harbison, PLLC

(57) **CLAIM**

The ornamental design for a container, as shown and described.

DESCRIPTION

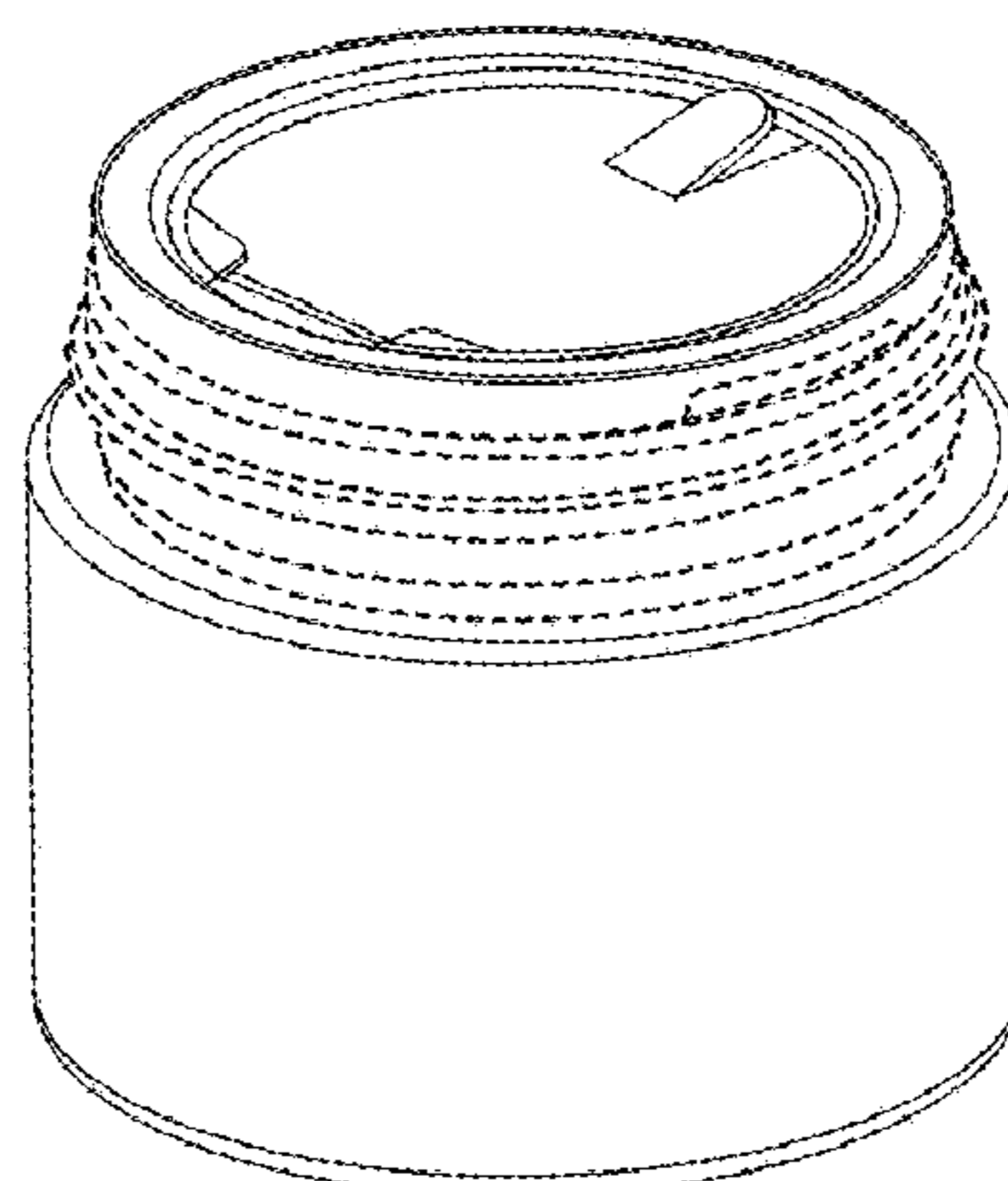
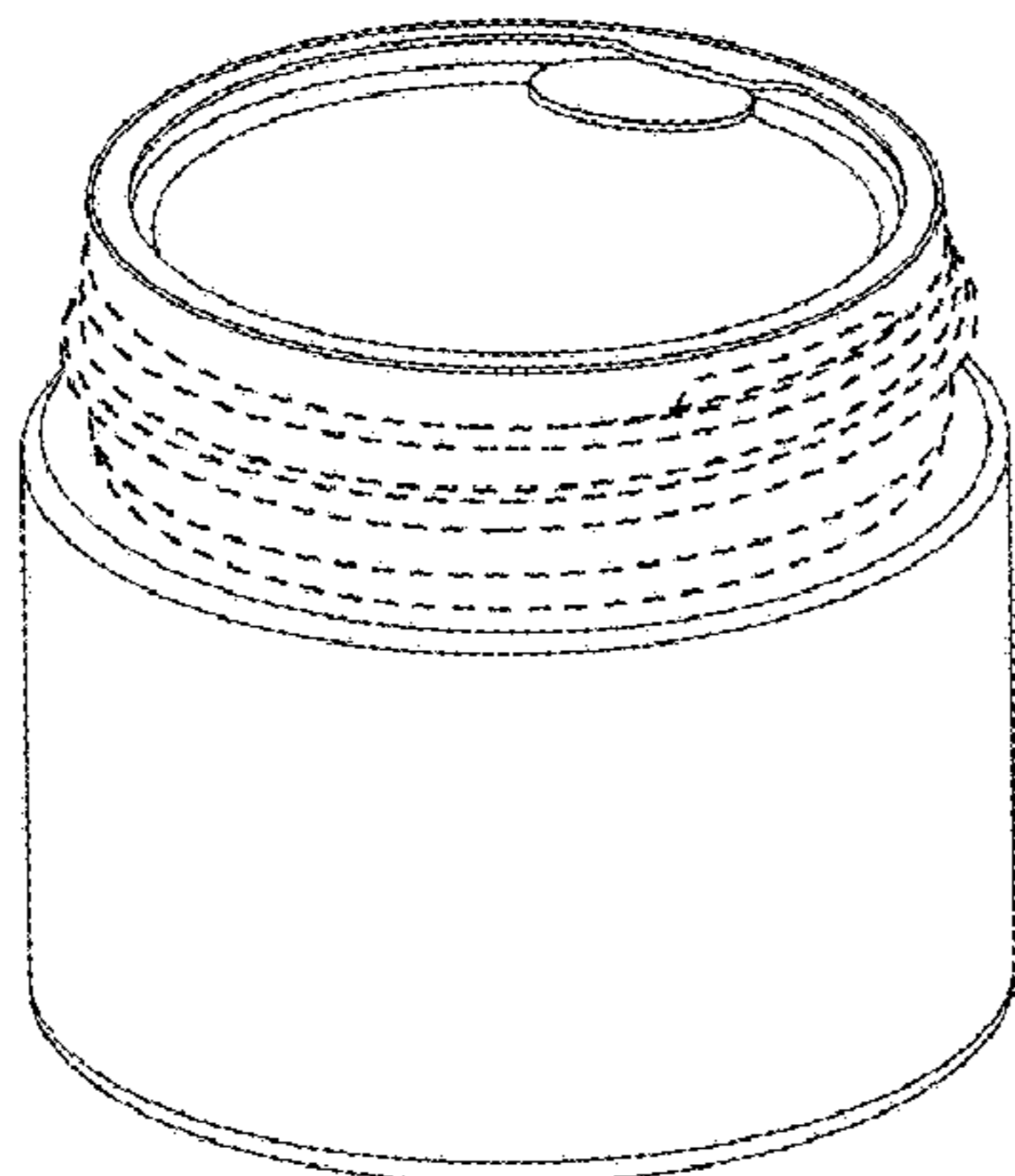
FIG. 1 is a top perspective view of the container of the present design shown in its mounted (assembled) form.

FIG. 2 is a top perspective view of a first alternative embodiment of the container shown in its mounted (assembled) form; and,

FIG. 3 is a top perspective view of a second alternative embodiment of the container in its mounted form.

The broken lines are included for the purpose of illustrating portions of the container that form no part of the claimed design.

1 Claim, 1 Drawing Sheet



(56)

References Cited

U.S. PATENT DOCUMENTS

2015/0230583 A1* 8/2015 Maelstaf A45D 40/0068
220/23.87
2016/0207674 A1* 7/2016 Brion B65D 51/20
2016/0235184 A1* 8/2016 Lee A45D 33/006
2016/0262523 A1* 9/2016 Kim A45D 40/00
2016/0280426 A1* 9/2016 Kim A45D 40/0068
2016/0376077 A1* 12/2016 Schandl B65D 45/22
220/203.05
2017/0086560 A1* 3/2017 Pires A45D 33/32
2017/0107027 A1* 4/2017 Sangiovanni B65D 51/20

* cited by examiner

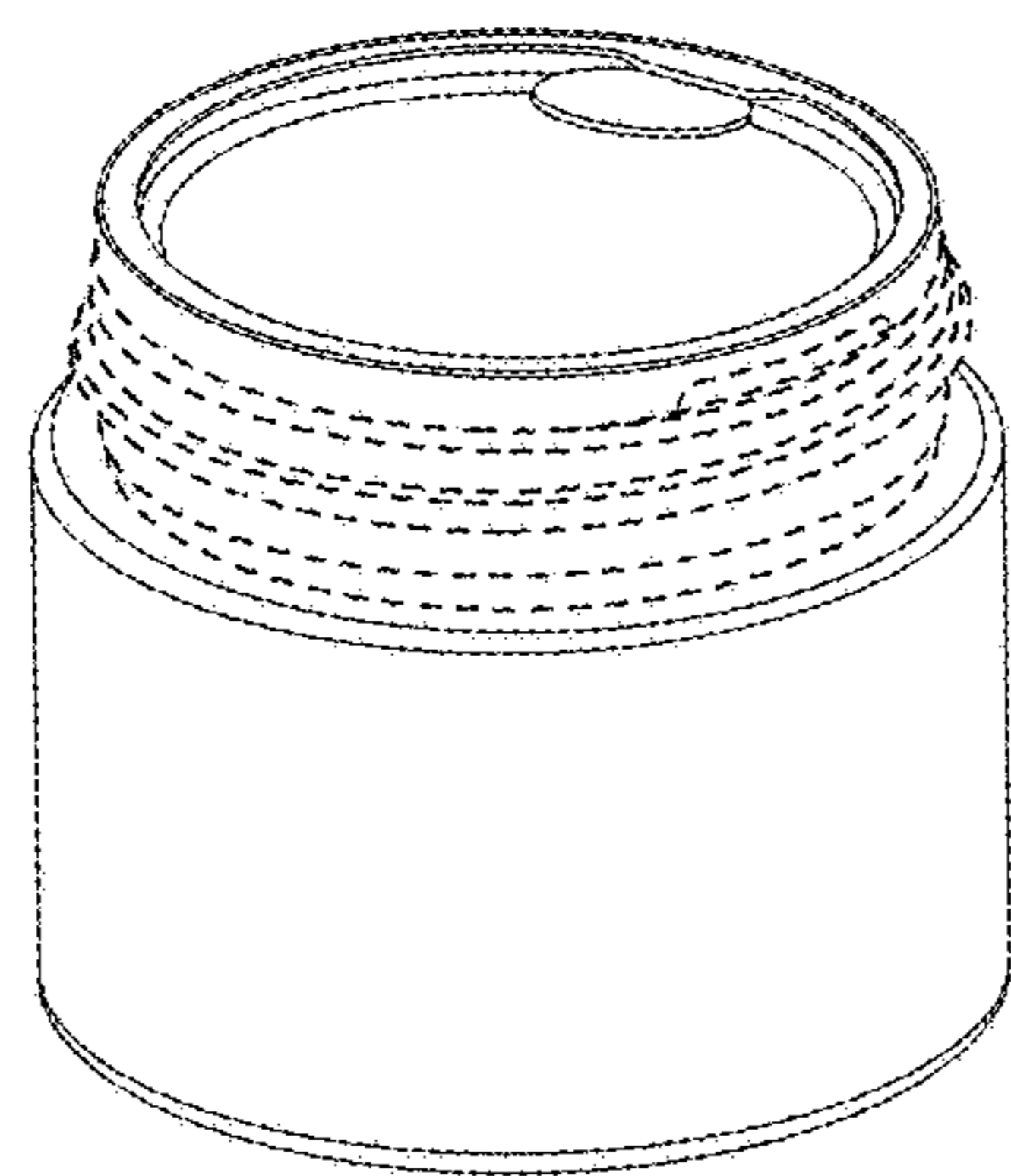


FIG. 1

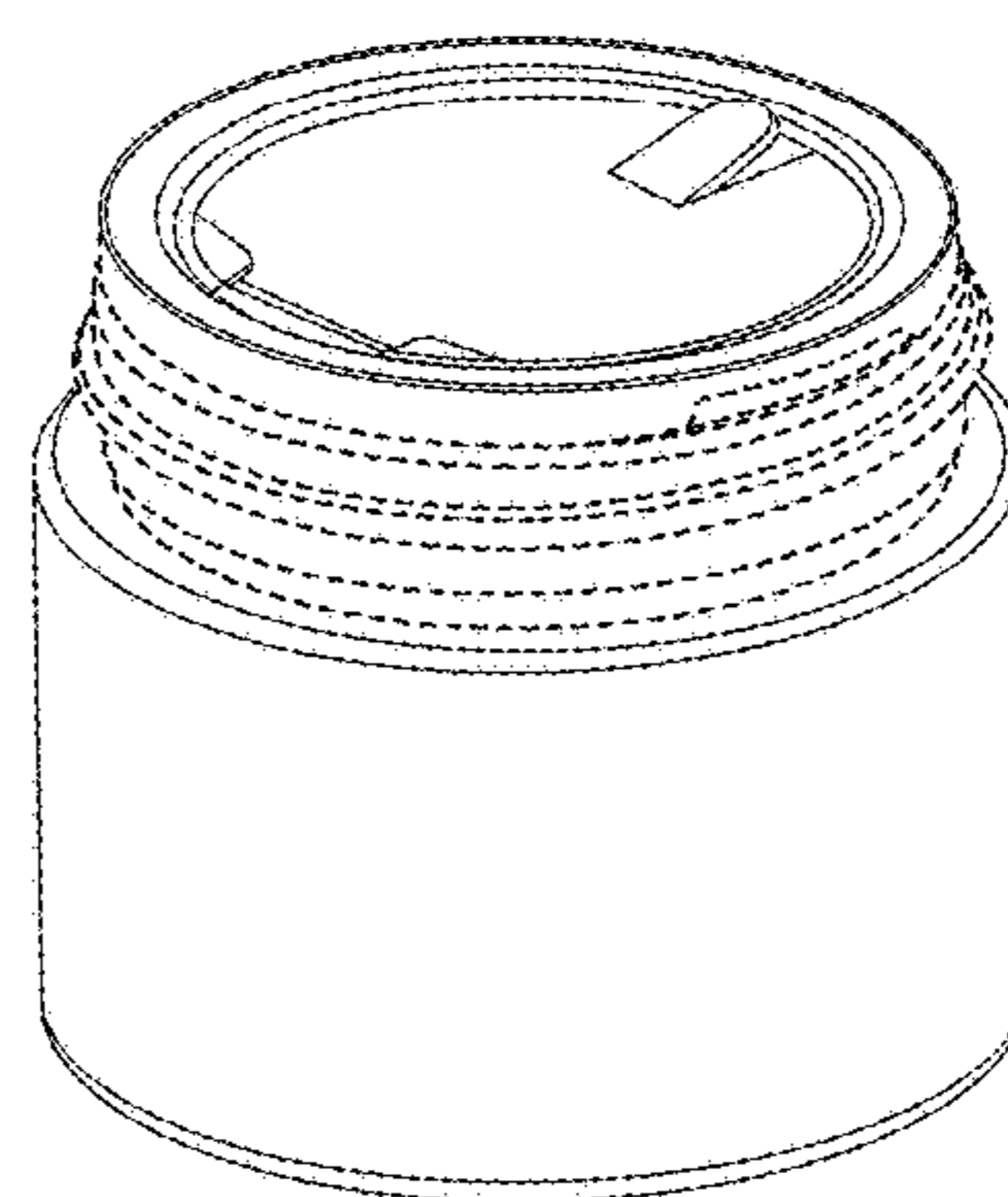


FIG. 2

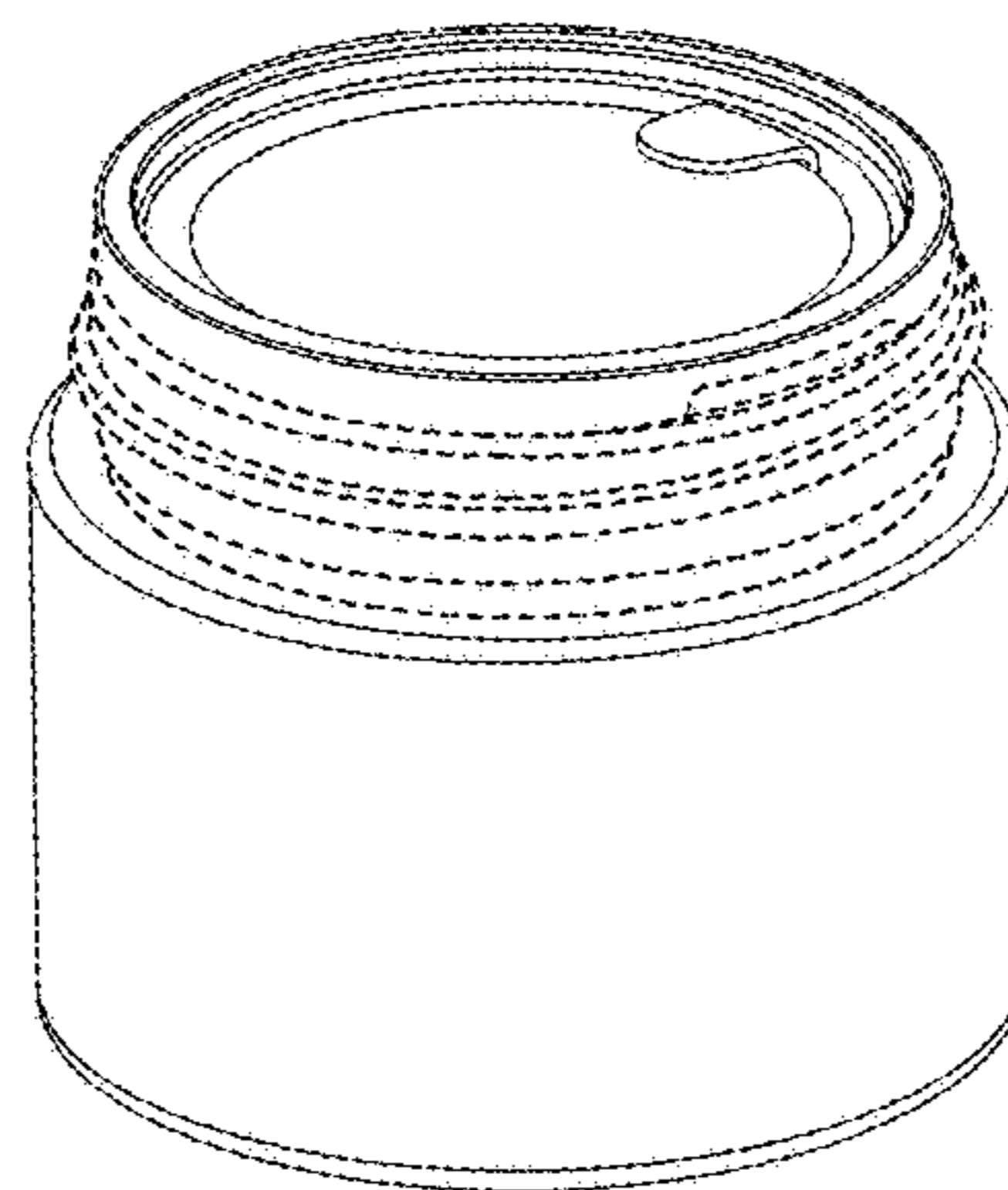


FIG. 3