



US00D845767S

(12) **United States Design Patent** (10) **Patent No.:** **US D845,767 S**  
**Holmes** (45) **Date of Patent:** **\*\* Apr. 16, 2019**

(54) **CLOSURE**

(71) Applicant: **Closure Systems International Inc.**,  
Lake Forest, IL (US)

(72) Inventor: **Larry Holmes**, Fishers, IN (US)

(73) Assignee: **Closure Systems International Inc.**,  
Lake Forest, IL (US)

(\*\*) Term: **15 Years**

(21) Appl. No.: **29/670,247**

(22) Filed: **Nov. 14, 2018**

**Related U.S. Application Data**

(62) Division of application No. 29/594,647, filed on Feb. 21, 2017, now Pat. No. Des. 838,173.

(51) **LOC (11) Cl.** ..... **09-07**

(52) **U.S. Cl.**  
USPC ..... **D9/454**

(58) **Field of Classification Search**

USPC ..... D3/27, 90, 202, 318; D6/349, 355, 702;  
D8/300, 310, 311, 312, 315, 339, 349,  
D8/402, 446, 447, 449, 453, 529;  
D9/414-435, 438, 440, 445, 446, 447,  
D9/449, 499, 453, 454, 516, 529, 686,  
D9/688, 723, 724, 763, 772; D19/162,  
D19/163, 164, 165, 192, 194; D23/249,  
D23/259, 260, 261; D7/300, 300.1, 313,  
D7/314, 316, 387, 391, 392.1, 393, 396.1,  
D7/396.2, 396, 397, 398, 401.1, 509, 510,  
D7/511, 523, 526, 538, 602, 619.1, 900;  
D12/197; D24/121, 127, 224; D28/76,  
D28/78, 82  
CPC .. B65D 81/00; B65D 79/00; B65D 2577/205;  
B65D 15/08; B65D 2543/00296; B65D  
2203/00; B65D 2203/02; B65D 23/00;  
B65D 23/12; B65D 23/14; B65D 1/00;  
B65D 1/02; B65D 1/0233; B65D 1/22;  
B65D 1/32; B65D 1/36; B65D 1/40;

B65D 1/225; B65D 5/00-5/02; B65D  
5/0209; B65D 5/0279; B65D 5/029;  
B65D 5/40; B65D 5/72; B65D 5/541;  
B65D 5/705; B65D 5/706; B65D 5/727;  
B65D 5/4204;

(Continued)

(56) **References Cited**

U.S. PATENT DOCUMENTS

D209,789 S 1/1968 Huston  
D286,026 S \* 10/1986 Rayner ..... D9/435  
(Continued)

*Primary Examiner* — Jennifer Rivard  
*Assistant Examiner* — Catherine S Posthauer  
(74) *Attorney, Agent, or Firm* — Nixon Peabody LLP

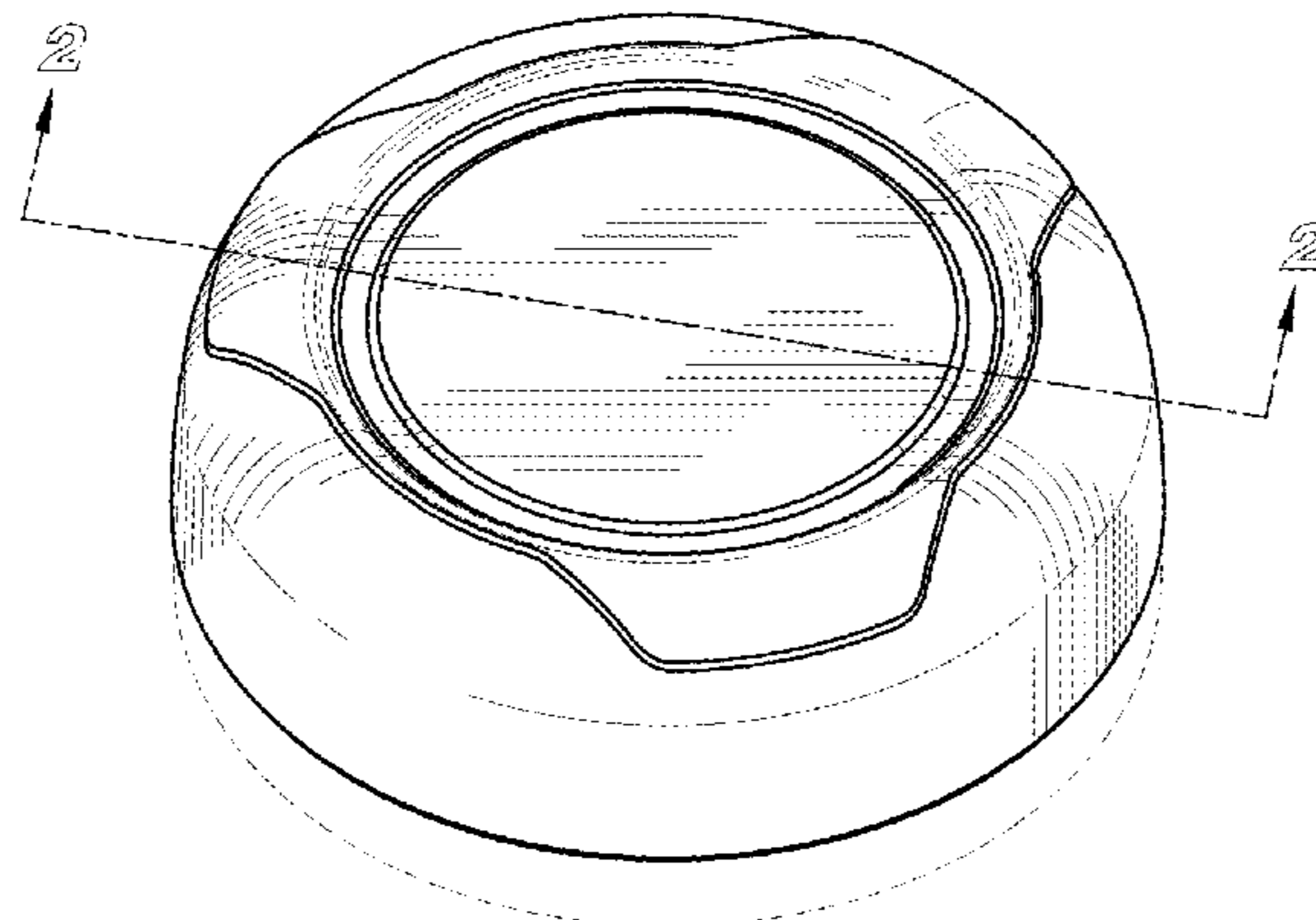
(57) **CLAIM**

The ornamental design for a closure, as shown and described.

**DESCRIPTION**

FIG. 1 is a top-perspective view of a closure;  
FIG. 2 is a side cross-sectional view of the closure, taken in the direction of line 2-2 on FIG. 1;  
FIG. 3 is a bottom-perspective view of the closure of FIG. 1;  
FIG. 4 is a top plan view of the closure of FIG. 1;  
FIG. 5 is a left side elevation view of the closure of FIG. 1;  
FIG. 6 is a right side elevation view of the closure of FIG. 1;  
FIG. 7 is a front elevation view of the closure of FIG. 1;  
FIG. 8 is a back elevation view of the closure of FIG. 1; and, FIG. 9 is a bottom plan view of the closure of FIG. 1.  
The evenly broken lines are shown for the purpose of illustrating parts of the article that form no part of the claim. The dash-dot-dash lines represent the designation of a cross sectional view and form no part thereof.

**1 Claim, 4 Drawing Sheets**



(58) **Field of Classification Search**

CPC .. B65D 77/24; B65D 47/122; B65D 43/0212;  
 B65D 43/0208; B65D 43/26; B65D  
 1/0223; B65D 2101/0046; B65D 51/18;  
 B65D 51/28; B65D 51/242; B65D  
 51/2814; B65D 51/2821; B65D 1/0246;  
 B65D 41/3447; B65D 21/0228; A45D  
 40/22; A61J 1/1412; A47G 19/2272;  
 A47G 19/02; A47G 19/22; A47G  
 19/2205; A47G 19/2222; A47G 19/2266;  
 A47G 19/2294; A47F 3/14; A47J 36/027;  
 A47J 43/27

See application file for complete search history.

(56) **References Cited**

U.S. PATENT DOCUMENTS

D309,568 S	7/1990	Beton	
D419,370 S	1/2000	Busick	
D419,371 S	1/2000	Haley	
D454,384 S	3/2002	Lord	
D466,015 S	11/2002	Faucon	
D467,036 S	12/2002	Bakic	
6,561,375 B1	5/2003	Nagy	
D518,377 S *	4/2006	Kortleven	D3/323
D525,127 S	7/2006	Cogley	
D526,564 S *	8/2006	Slavin	D9/454
D526,839 S	8/2006	Boozer	
D546,670 S	7/2007	Sainz	

D563,785 S *	3/2008	Maki	D9/454
D567,584 S	4/2008	Boozer	
D581,792 S *	12/2008	Krohn	D9/504
D633,644 S *	3/2011	Sprengers	D26/89
D641,207 S	7/2011	Backaert	
D660,136 S *	5/2012	Jarowenko	D8/374
D688,946 S *	9/2013	Pirincci	D9/454
D694,463 S *	11/2013	Sieczkowski	D26/124
D701,700 S	4/2014	Abdi	
D711,745 S *	8/2014	Humm	D9/449
D714,144 S *	9/2014	Vogel	D9/443
D717,651 S *	11/2014	Marina	D9/454
D718,133 S	11/2014	Fraser	
D718,136 S	11/2014	Harrity	
D723,906 S	3/2015	Kato	
D726,308 S *	4/2015	Shubin, Sr.	D24/121
D727,148 S *	4/2015	Humm	D9/449
D727,149 S *	4/2015	Humm	D9/449
D727,731 S *	4/2015	Humm	D9/449
D742,339 S *	11/2015	Takagi	D13/182
D746,683 S *	1/2016	Fahl	D9/454
D756,222 S *	5/2016	Lopez	D23/260
D769,079 S	10/2016	Kotani	
9,649,254 B2	5/2017	Frishman	
D792,220 S	7/2017	Simons	
D799,963 S *	10/2017	Akiyama	D9/454
D830,170 S *	10/2018	Holmes	D9/443
2011/0006060 A1 *	1/2011	Lin	B65D 43/26 220/201
2015/0157535 A1	6/2015	Frishman	

\* cited by examiner

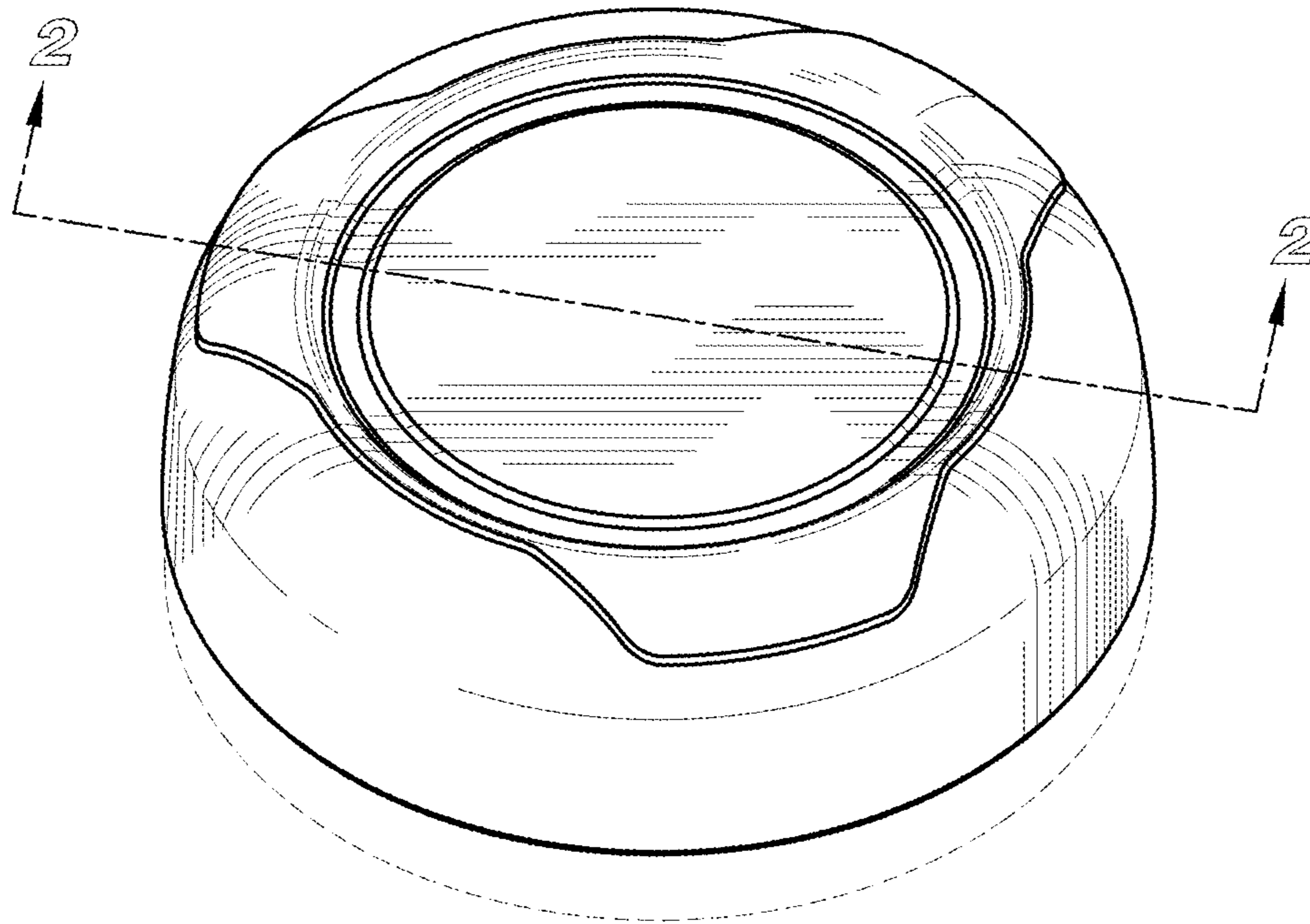


FIG. 1

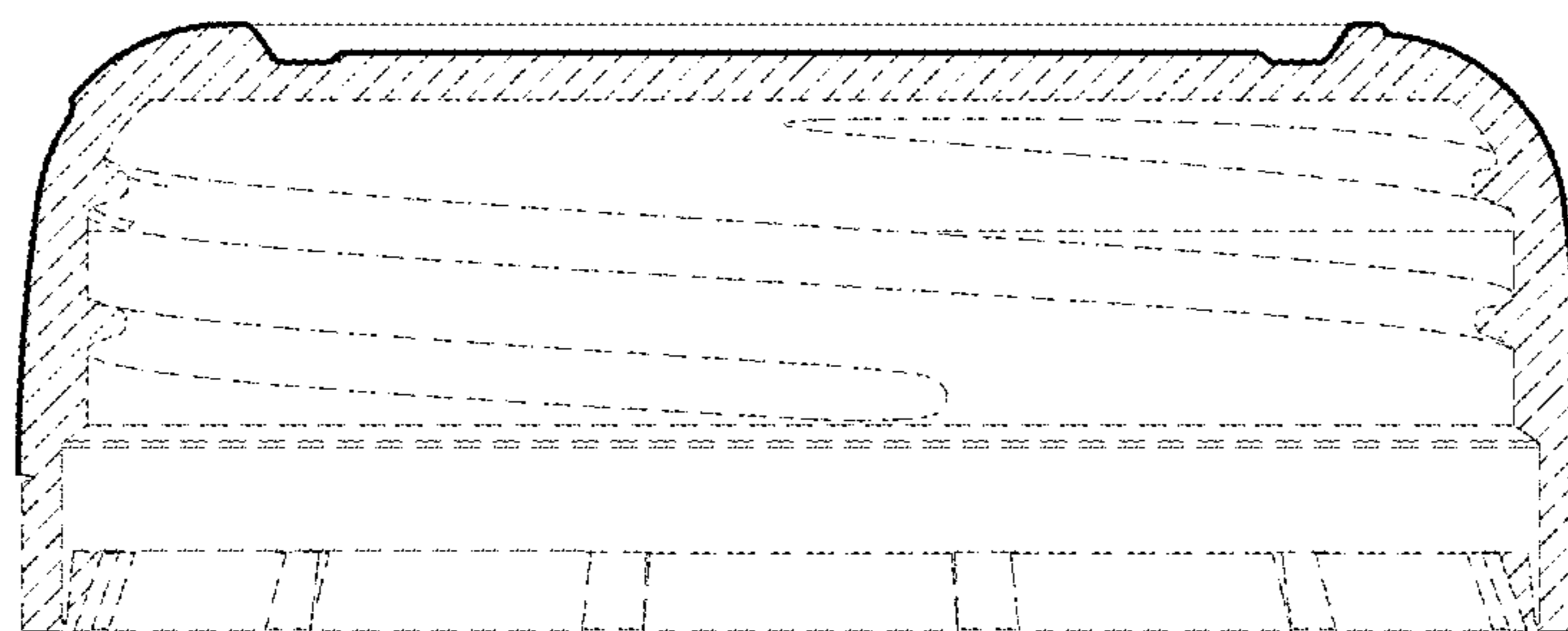
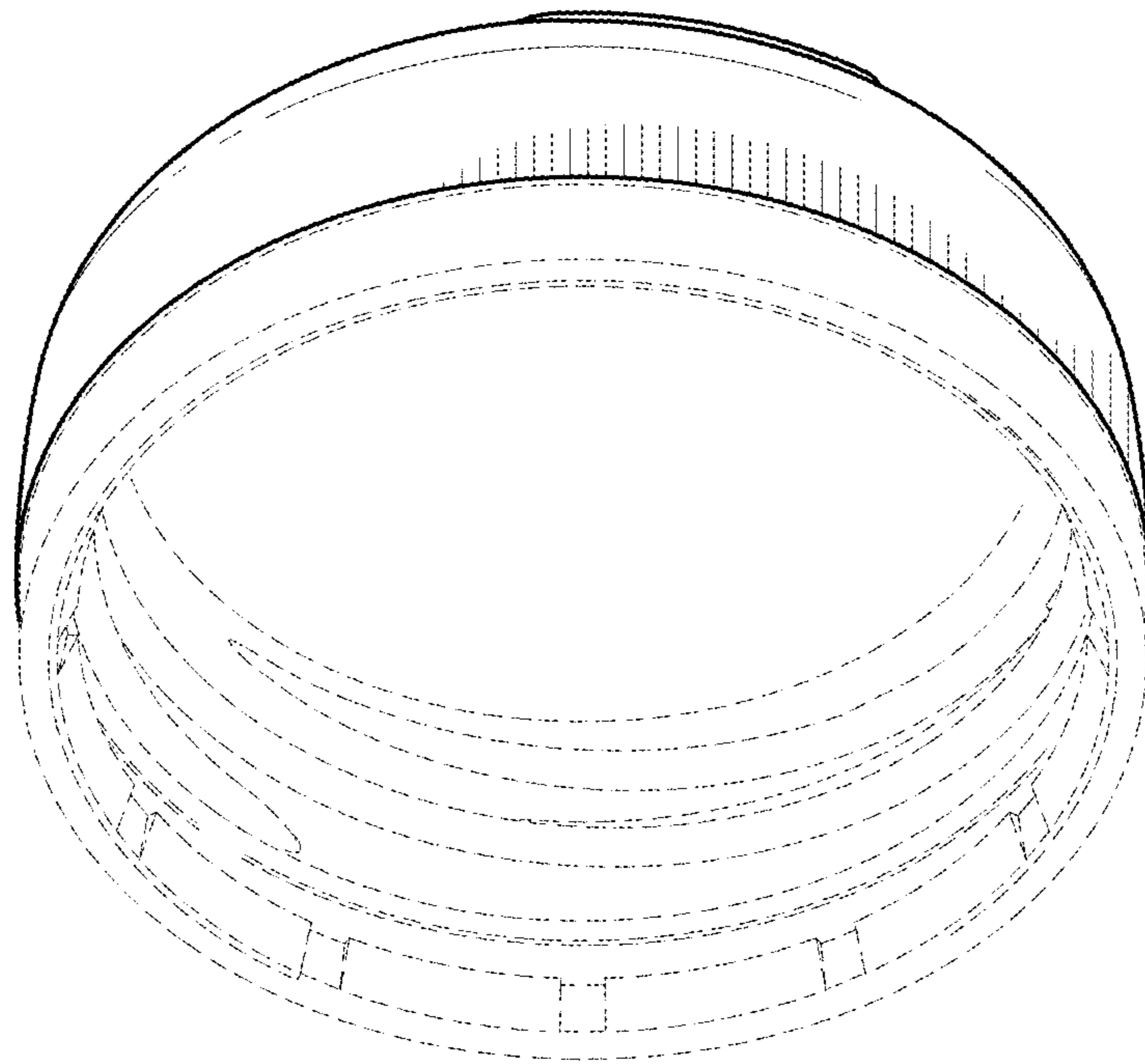


FIG. 2



**FIG. 3**



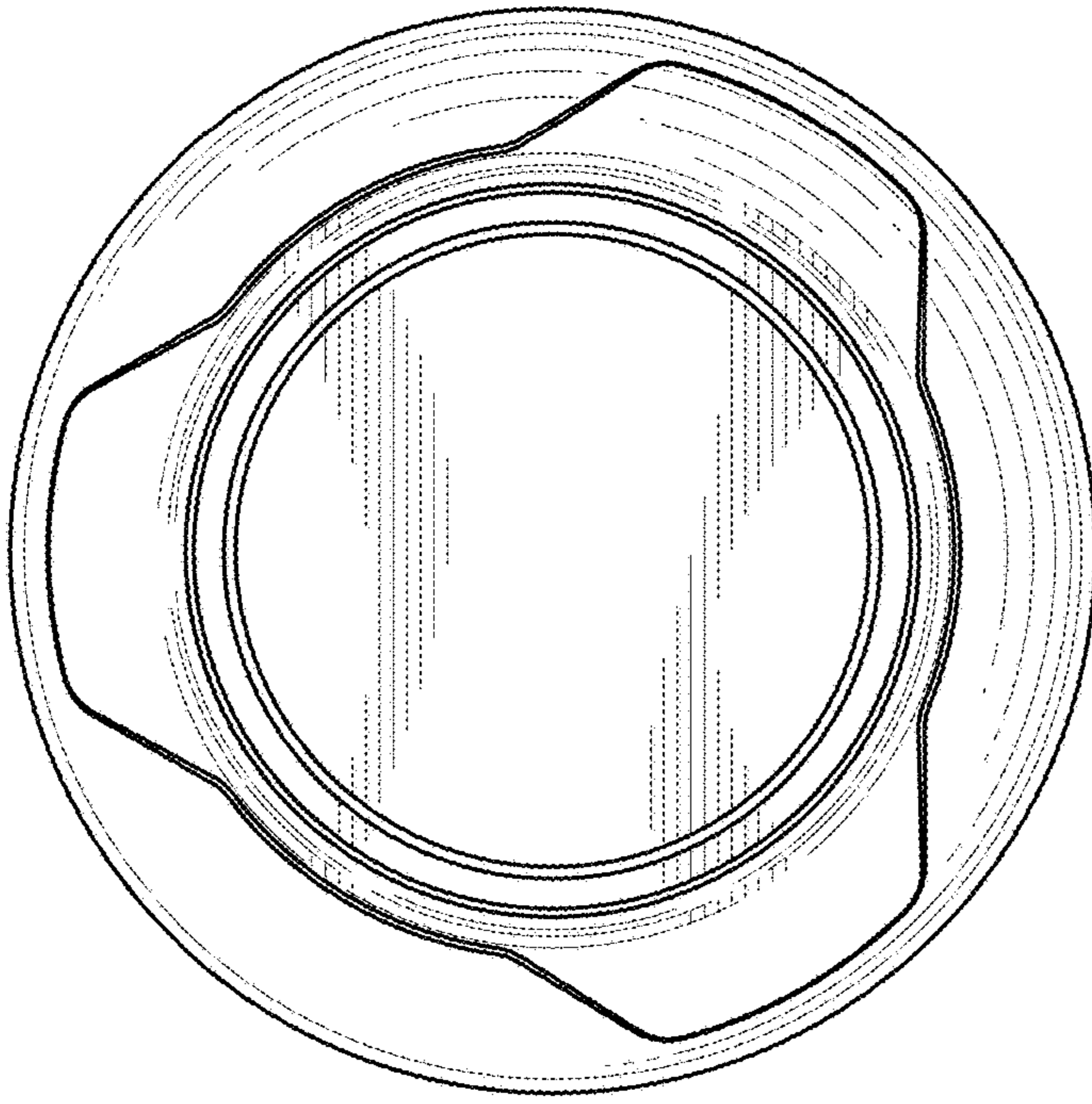


FIG. 4

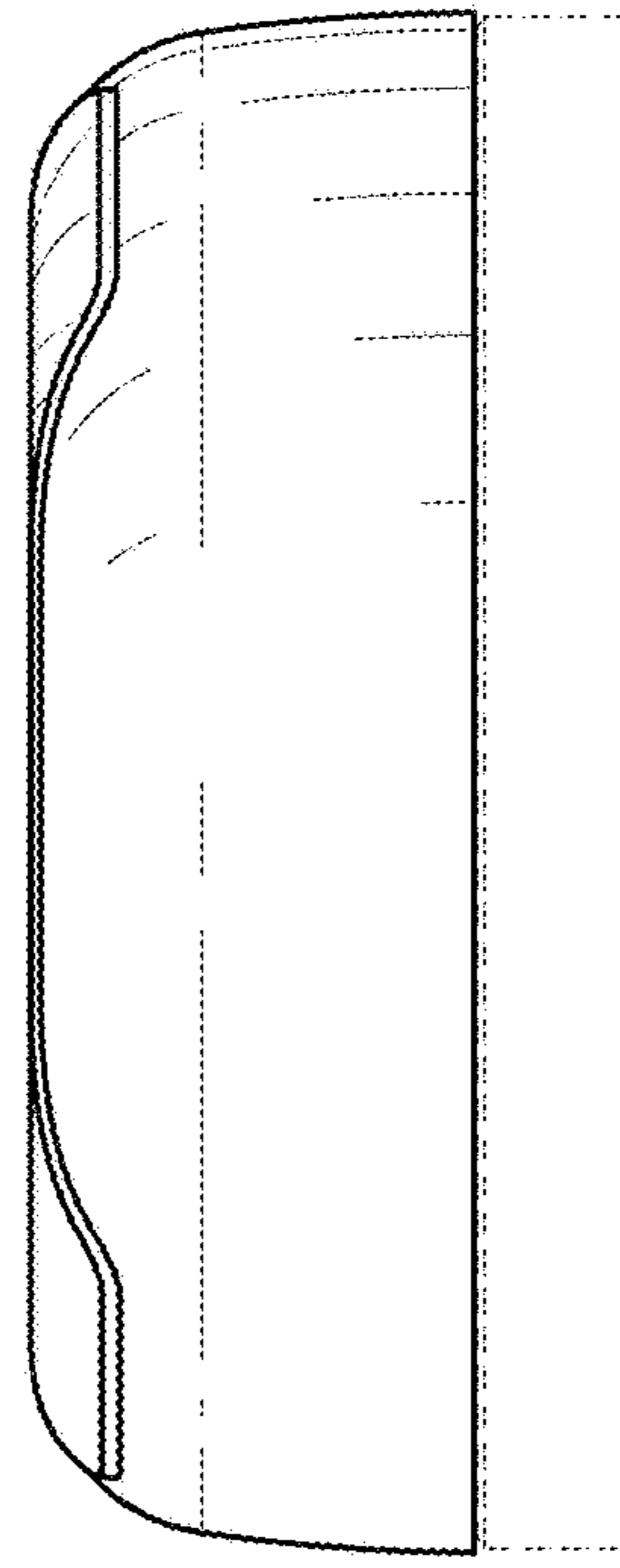


FIG. 6

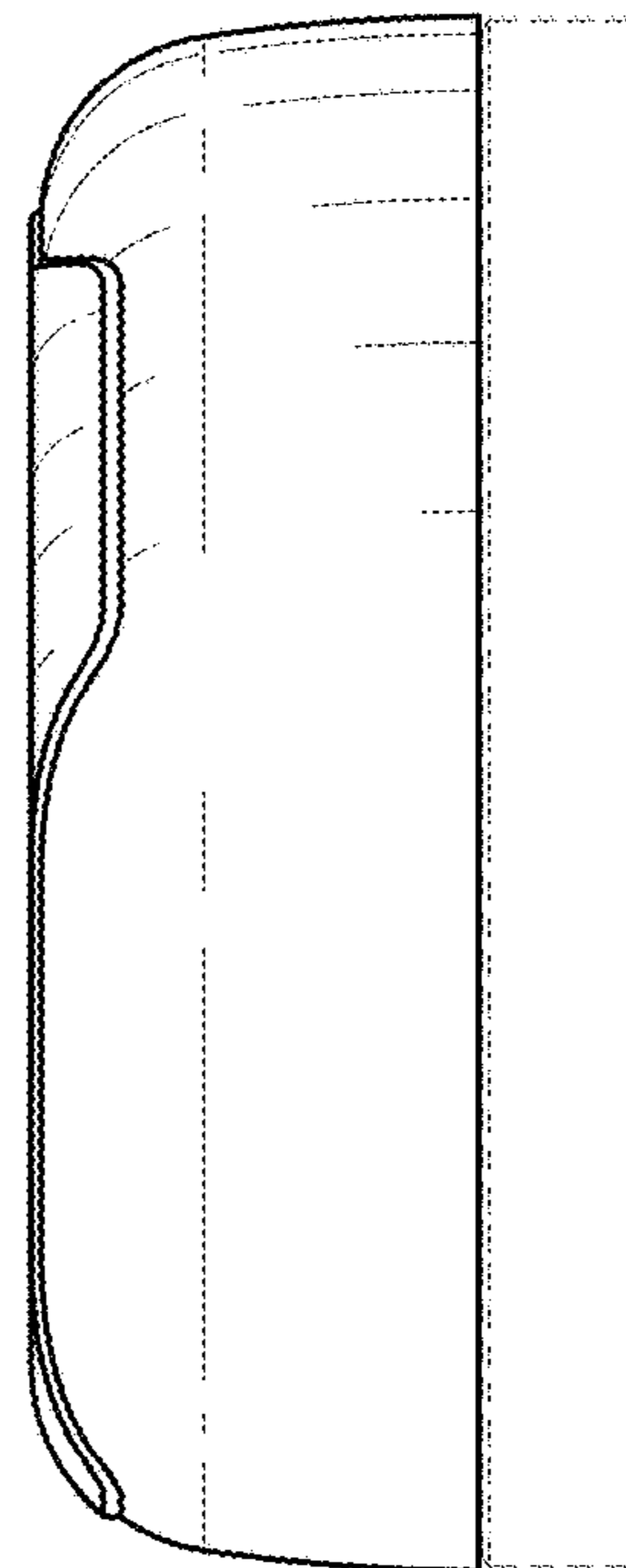


FIG. 5

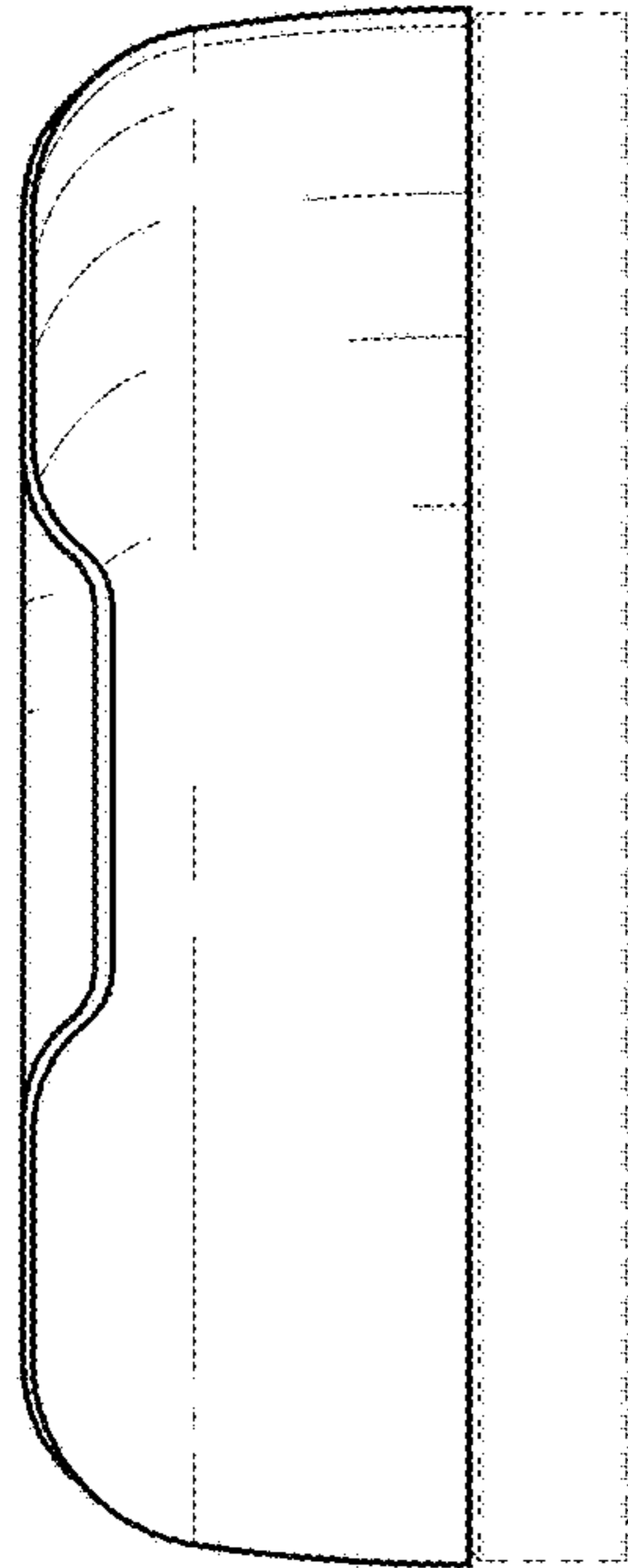


FIG. 8

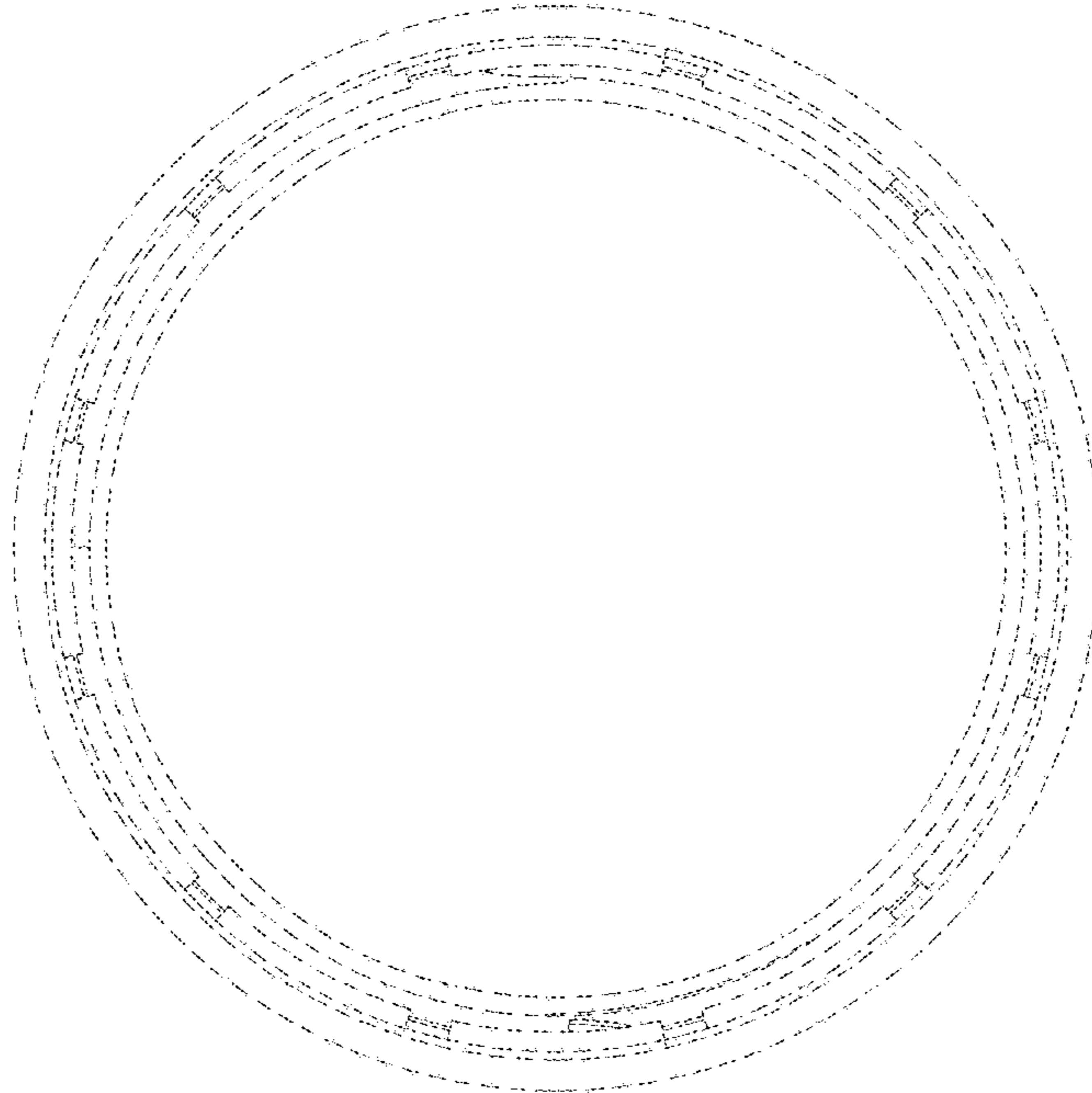


FIG. 9

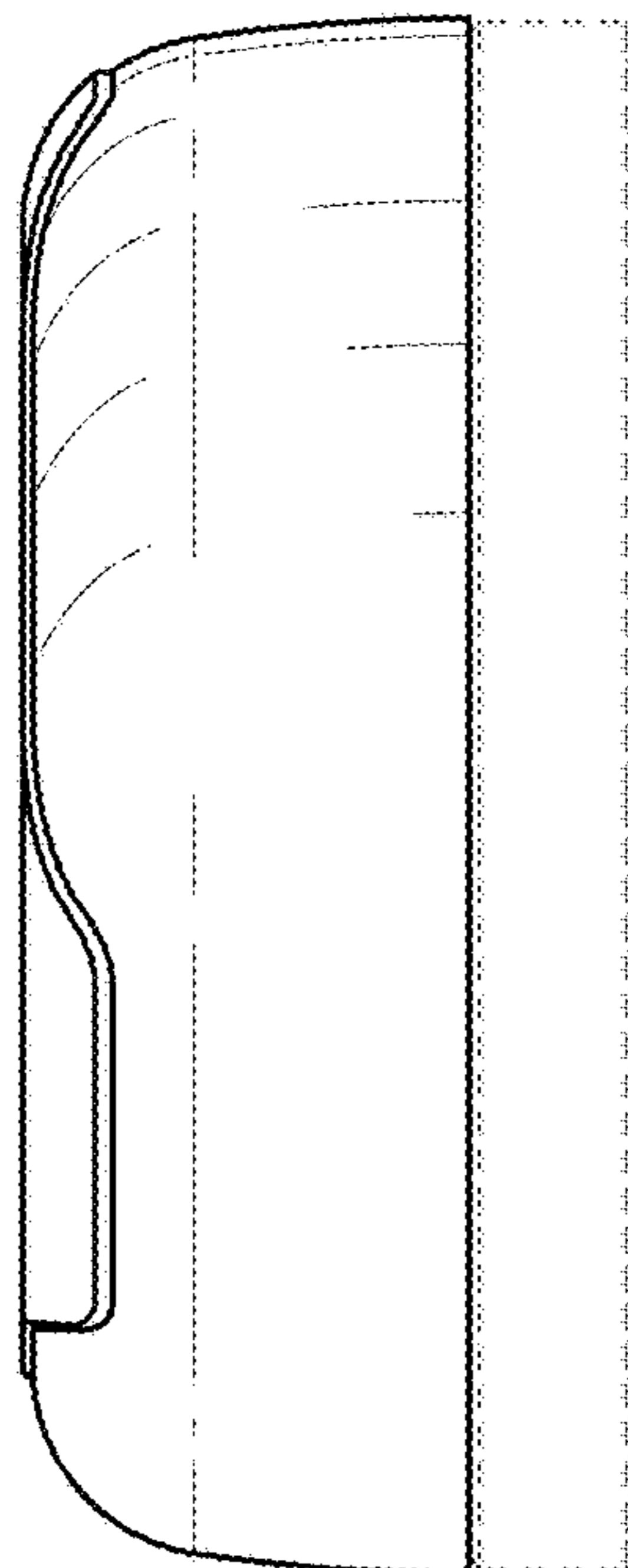


FIG. 7