



US00D845766S

(12) **United States Design Patent**
Tartock et al.

(10) **Patent No.:** **US D845,766 S**
(45) **Date of Patent:** **** Apr. 16, 2019**

(54) **CLOSURE**

(71) Applicant: **Closure Systems International Inc.**,
Lake Forest, IL (US)

(72) Inventors: **Russell Lewis Tartock**, Crawfordsville,
IN (US); **Larry Holmes**, Fishers, IN
(US)

(73) Assignee: **Closure Systems International Inc.**,
Lake Forest, IL (US)

(**) Term: **15 Years**

(21) Appl. No.: **29/670,198**

(22) Filed: **Nov. 14, 2018**

Related U.S. Application Data

(62) Division of application No. 29/594,643, filed on Feb.
21, 2017, now Pat. No. Des. 838,172.

(51) **LOC (11) Cl.** **09-07**

(52) **U.S. Cl.**
USPC **D9/454**

(58) **Field of Classification Search**
USPC D3/27, 90, 202, 318; D6/349, 355, 702;
D8/300, 310, 311, 312, 315, 339, 349,
D8/402, 446, 447, 449, 453, 529;
D9/414-435, 438, 440, 445, 446, 447,
D9/449, 499, 453, 454, 516, 529, 686,
D9/688, 723, 724, 763, 772; D19/162,
D19/163, 164, 165, 192, 194; D23/249,
D23/259, 260, 261; D7/300, 300.1, 313,
D7/314, 316, 387, 391, 392.1, 393, 396.1,
D7/396.2, 396, 397, 398, 401.1, 509, 510,
D7/511, 523, 526, 538, 602, 619.1, 900;
D12/197; D24/121, 127, 224; D28/76,
D28/78, 82
CPC .. B65D 81/00; B65D 79/00; B65D 2577/205;
B65D 15/08; B65D 2543/00296; B65D
2203/00; B65D 2203/02; B65D 23/00;
B65D 23/12; B65D 23/14; B65D 1/00;

B65D 1/02; B65D 1/0233; B65D 1/22;
B65D 1/32; B65D 1/36; B65D 1/40;
B65D 1/225; B65D 5/00-5/02; B65D
5/0209;

(Continued)

(56) **References Cited**

U.S. PATENT DOCUMENTS

D209,789 S * 1/1968 Huston D9/435
4,205,484 A * 6/1980 Kovac A63H 33/18
446/46

(Continued)

Primary Examiner — Jennifer Rivard

Assistant Examiner — Catherine S Posthauer

(74) *Attorney, Agent, or Firm* — Nixon Peabody LLP

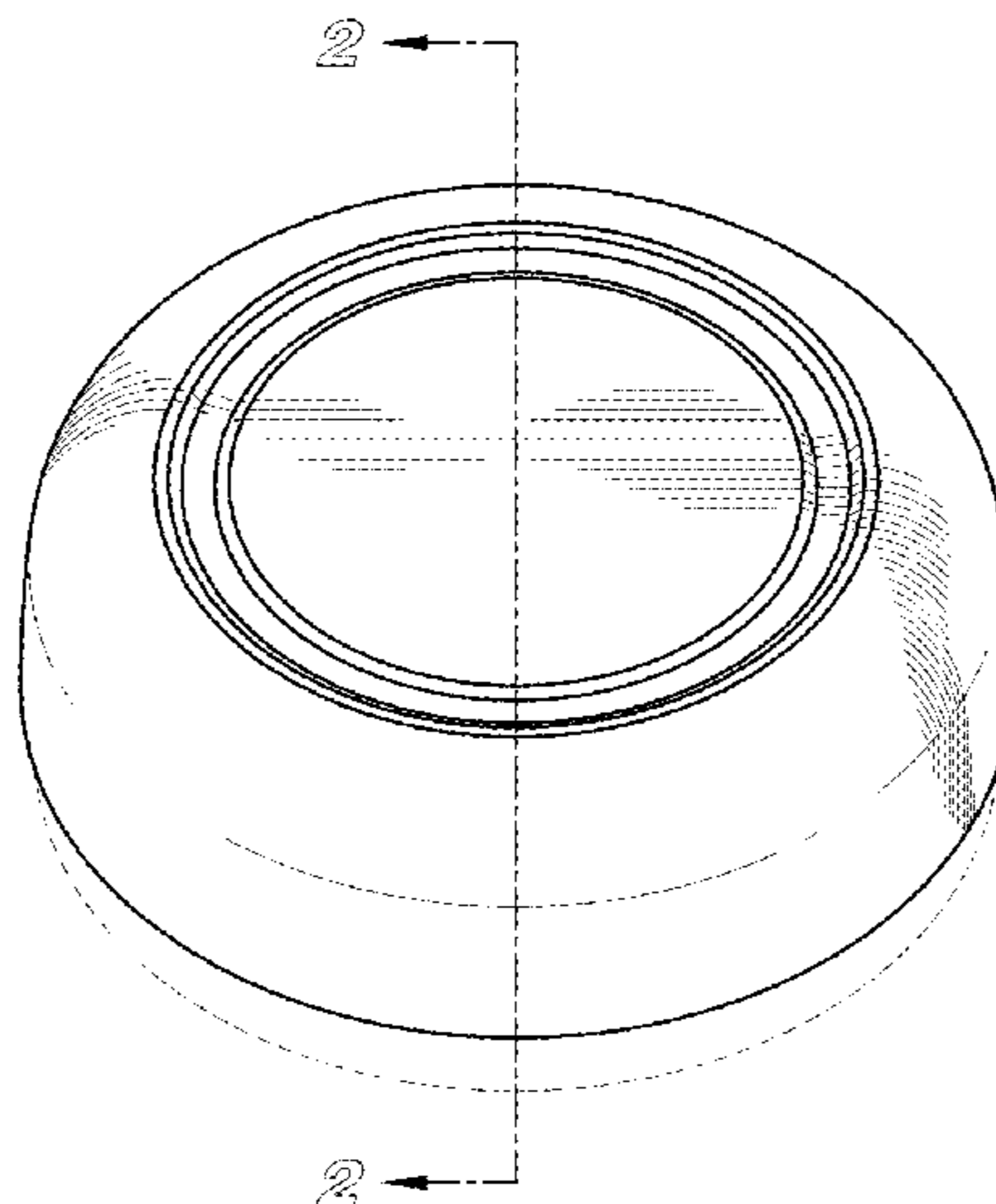
(57) **CLAIM**

The ornamental design for a closure, as shown and
described.

DESCRIPTION

FIG. 1 is a top-perspective view of a closure;
FIG. 2 is a side cross-sectional view of the closure, taken in
the direction of line 2-2 on FIG. 1;
FIG. 3 is a bottom-perspective view of the closure of FIG.
1;
FIG. 4 is a top plan view of the closure of FIG. 1;
FIG. 5 is a left side elevation view of the closure of FIG. 1;
FIG. 6 is a right side elevation view of the closure of FIG.
1;
FIG. 7 is a front elevation view of the closure of FIG. 1;
FIG. 8 is a back elevation view of the closure of FIG. 1; and,
FIG. 9 is a bottom plan view of the closure of FIG. 1.
The evenly broken lines are shown for the purpose of
illustrating parts of the article that form no part of the claim.
The dash-dot-dash lines designate a cross sectional view and
form no part thereof.

1 Claim, 4 Drawing Sheets



(58) **Field of Classification Search**

CPC B65D 5/0279; B65D 5/029; B65D 5/40;
 B65D 5/72; B65D 5/541; B65D 5/705;
 B65D 5/706; B65D 5/727; B65D 5/4204;
 B65D 77/24; B65D 47/122; B65D
 43/0212; B65D 43/0208; B65D 43/26;
 B65D 1/0223; B65D 2101/0046; B65D
 51/18; B65D 51/28; B65D 51/242; B65D
 51/2814; B65D 51/2821; B65D 1/0246;
 B65D 41/3447; B65D 21/0228; A45D
 40/22; A61J 1/1412; A47G 19/2272;
 A47G 19/02; A47G 19/22; A47G
 19/2205; A47G 19/2222; A47G 19/2266;
 A47G 19/2294; A47F 3/14; A47J 36/027;
 A47J 43/27

See application file for complete search history.

(56) **References Cited**

U.S. PATENT DOCUMENTS

D286,026 S * 10/1986 Rayner D9/435
 D356,717 S * 3/1995 Smith D7/540
 D384,113 S * 9/1997 Subers D21/390
 D388,134 S * 12/1997 Dunipace D21/443
 D402,318 S * 12/1998 Dunipace D21/443
 D419,370 S 1/2000 Busick
 D419,371 S 1/2000 Haley
 D443,040 S * 5/2001 Fabian D23/249
 D454,384 S 3/2002 Lord
 D466,015 S 11/2002 Faucon
 D467,036 S 12/2002 Bakic
 6,561,375 B1 * 5/2003 Nagy A47G 19/02
 206/460
 D525,127 S 7/2006 Cogley
 D526,564 S * 8/2006 Slavin D9/454

D526,839 S 8/2006 Boozer
 D527,428 S * 8/2006 Cooper D21/443
 D546,670 S 7/2007 Sainz
 D563,784 S 3/2008 Maki
 D563,785 S * 3/2008 Maki D9/454
 D564,877 S * 3/2008 Hood D9/454
 D567,584 S 4/2008 Boozer
 D581,792 S 12/2008 Krohn
 D608,499 S * 1/2010 Hodgson D27/133
 D619,456 S * 7/2010 Walters D9/444
 D632,959 S * 2/2011 Peters D9/454
 D633,644 S * 3/2011 Sprengers D26/89
 D641,207 S 7/2011 Backaert
 D660,136 S * 5/2012 Jarowenko D8/374
 D662,648 S * 6/2012 Whiting D26/36
 D680,280 S * 4/2013 Nielsen D30/160
 D688,946 S * 9/2013 Pirincci D9/454
 D694,463 S * 11/2013 Sieczkowski D26/124
 D701,700 S 4/2014 Abdi
 D711,745 S 8/2014 Humm
 D717,651 S * 11/2014 Marina D9/454
 D718,133 S * 11/2014 Fraser D9/436
 D718,136 S 11/2014 Harrity
 D723,906 S 3/2015 Kato
 D727,148 S 4/2015 Humm
 D727,149 S 4/2015 Humm
 D727,731 S 4/2015 Humm
 D742,339 S * 11/2015 Takagi D13/182
 D746,683 S 1/2016 Fahl
 D756,222 S * 5/2016 Lopez D23/260
 D780,303 S * 2/2017 Kassouni D24/101
 9,649,254 B2 * 5/2017 Frishman A61J 1/1412
 D792,220 S * 7/2017 Simons D7/396.2
 D799,963 S * 10/2017 Akiyama D9/454
 2011/0006060 A1 * 1/2011 Lin B65D 43/26
 220/201
 2015/0157535 A1 * 6/2015 Frishman A61J 1/1412
 604/403

* cited by examiner

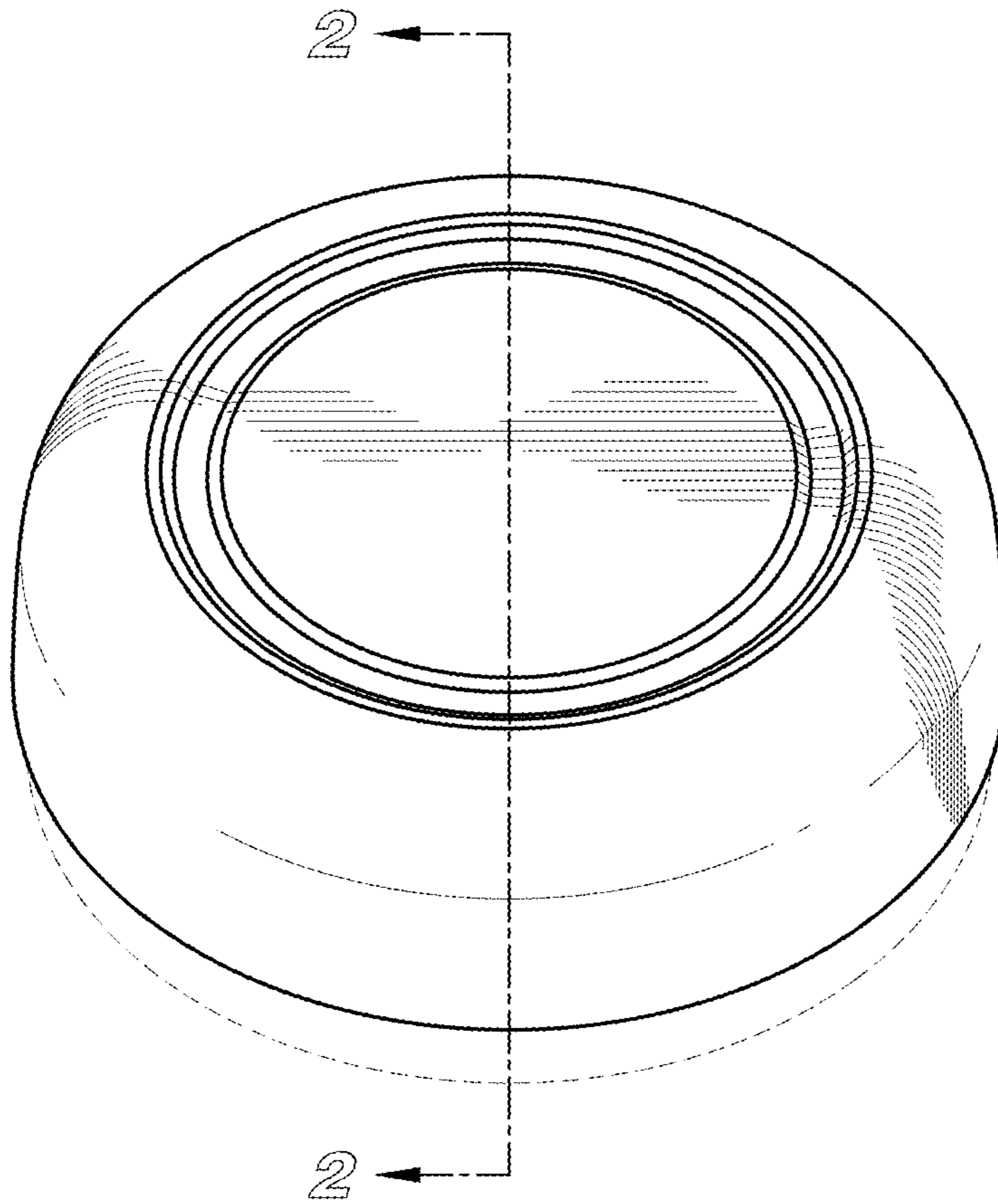


FIG. 1

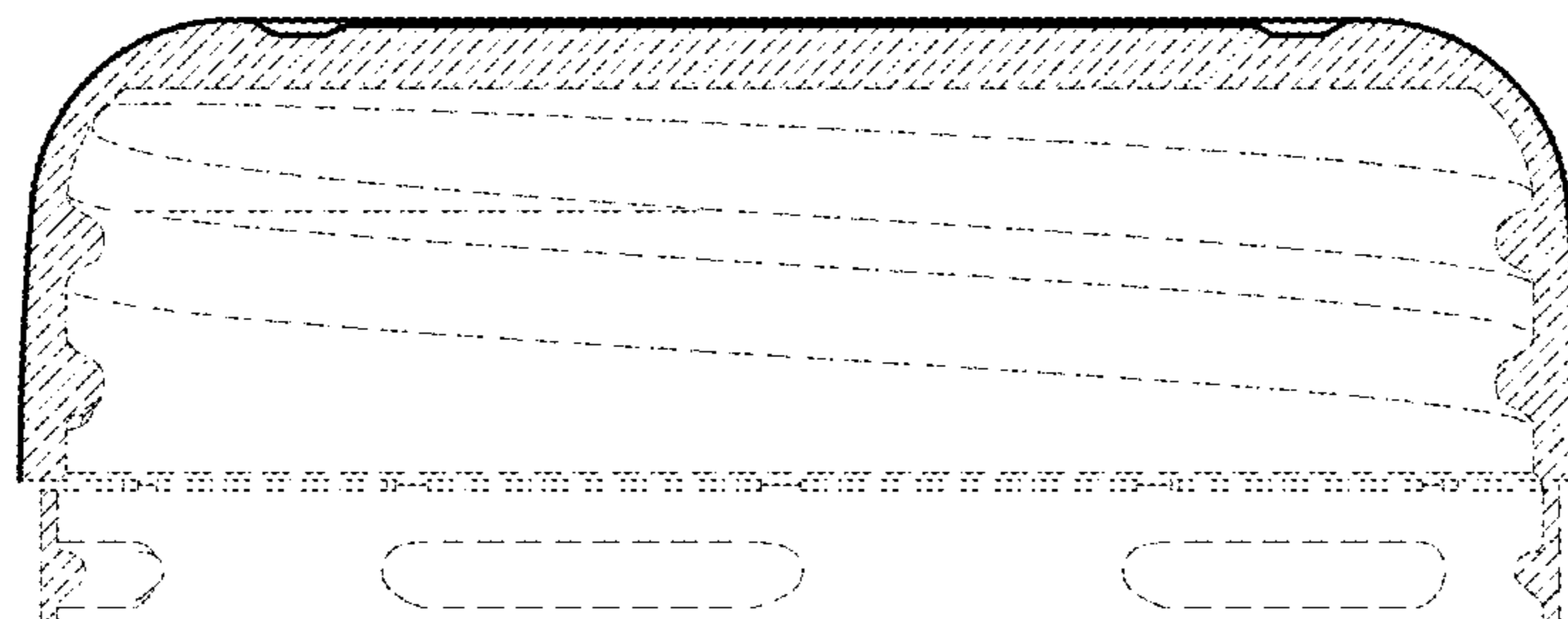


FIG. 2

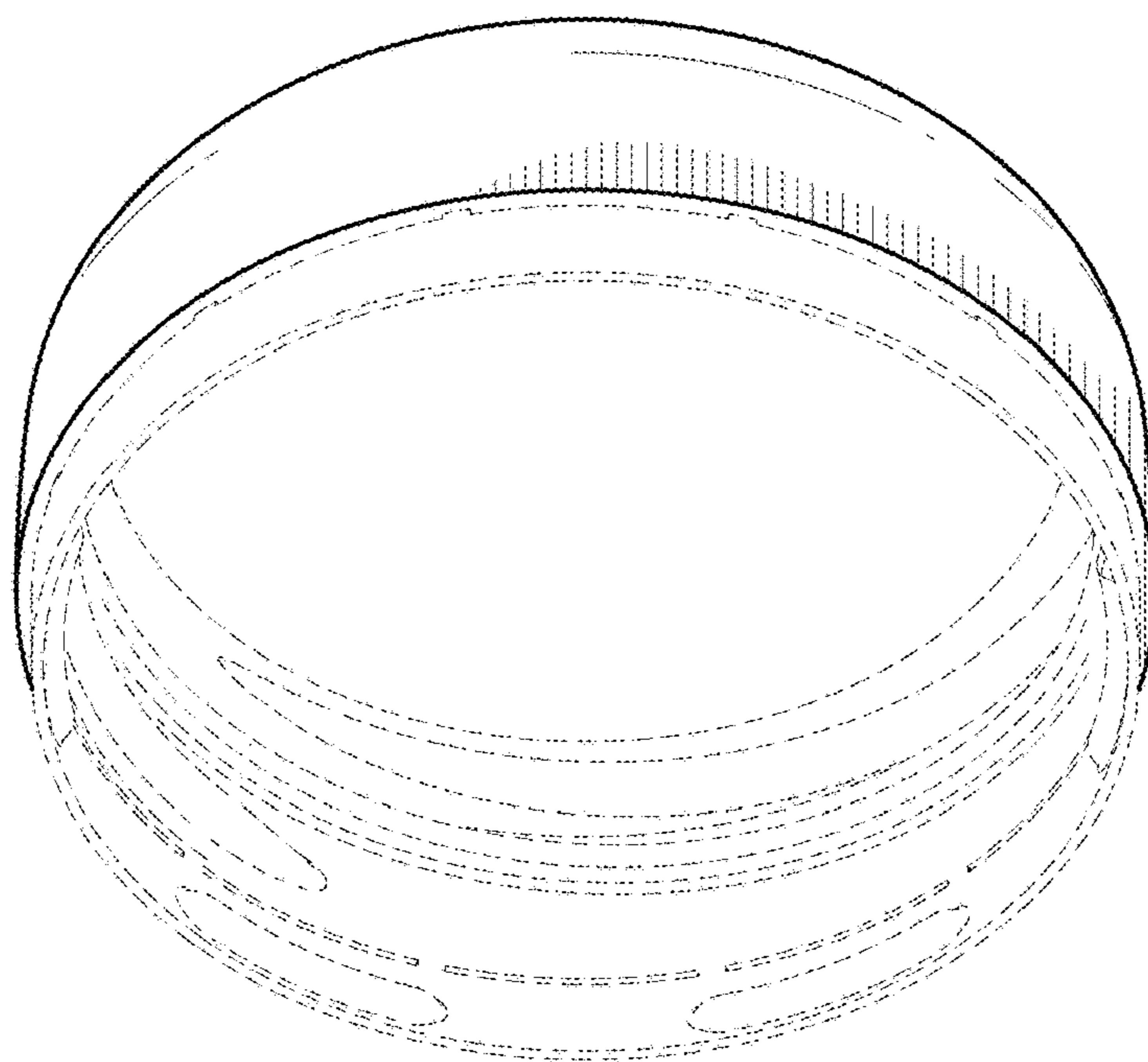


FIG. 3

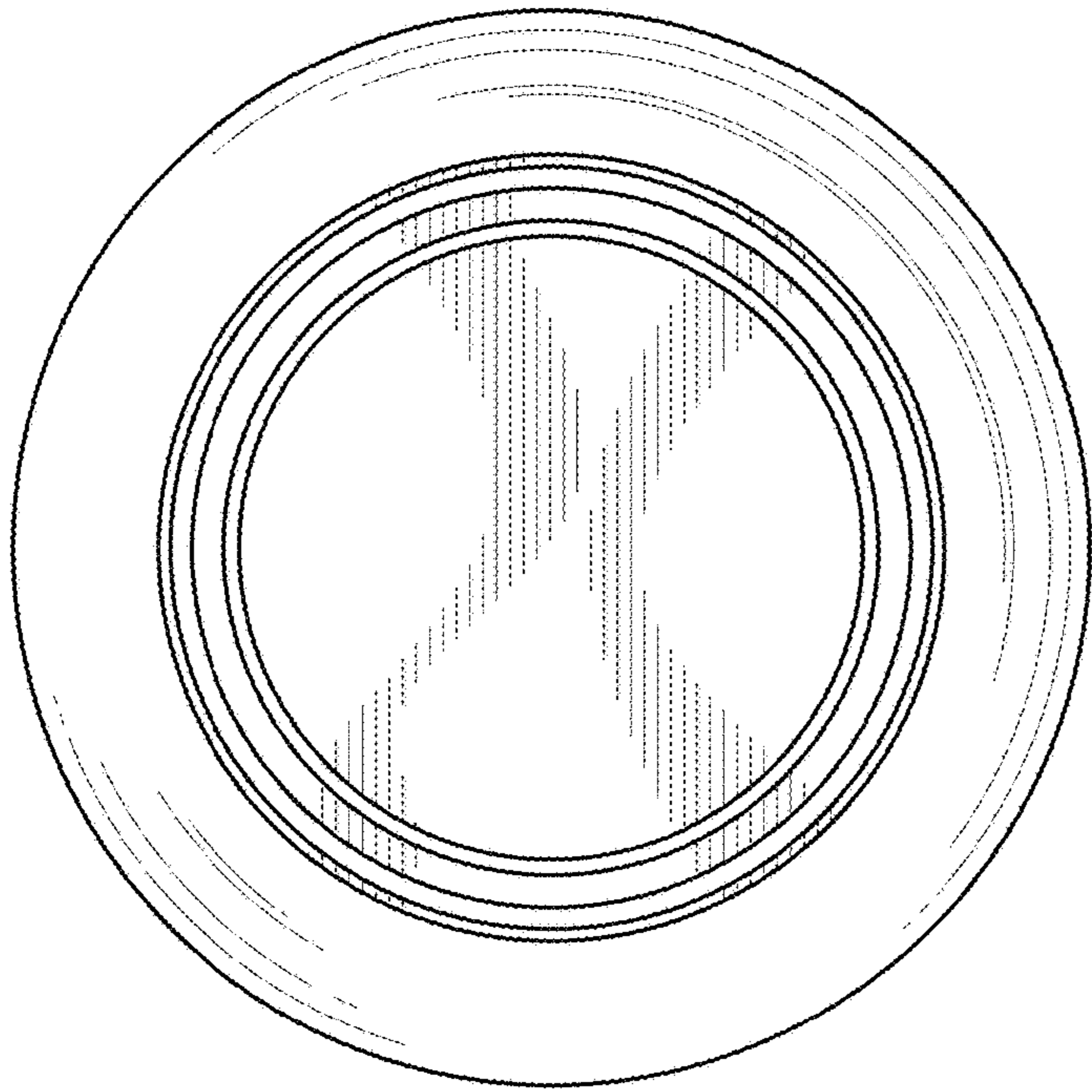


FIG. 4

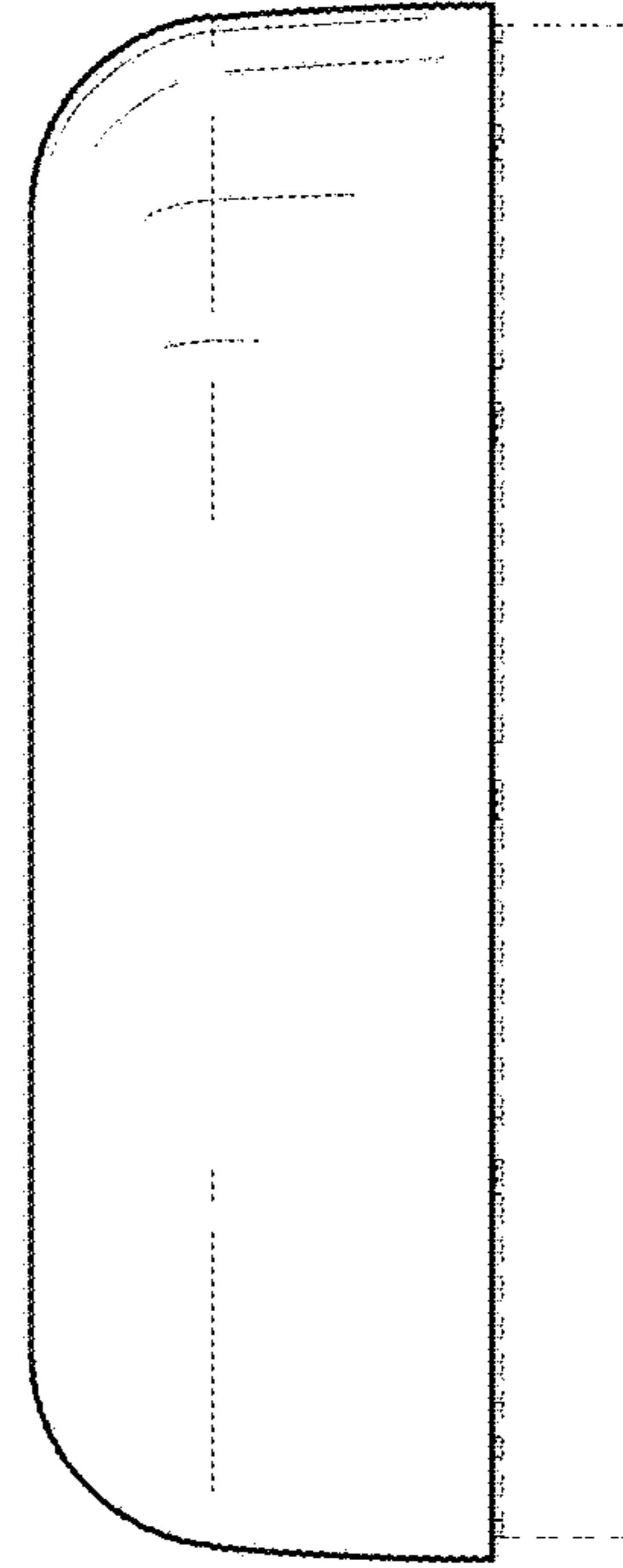


FIG. 6

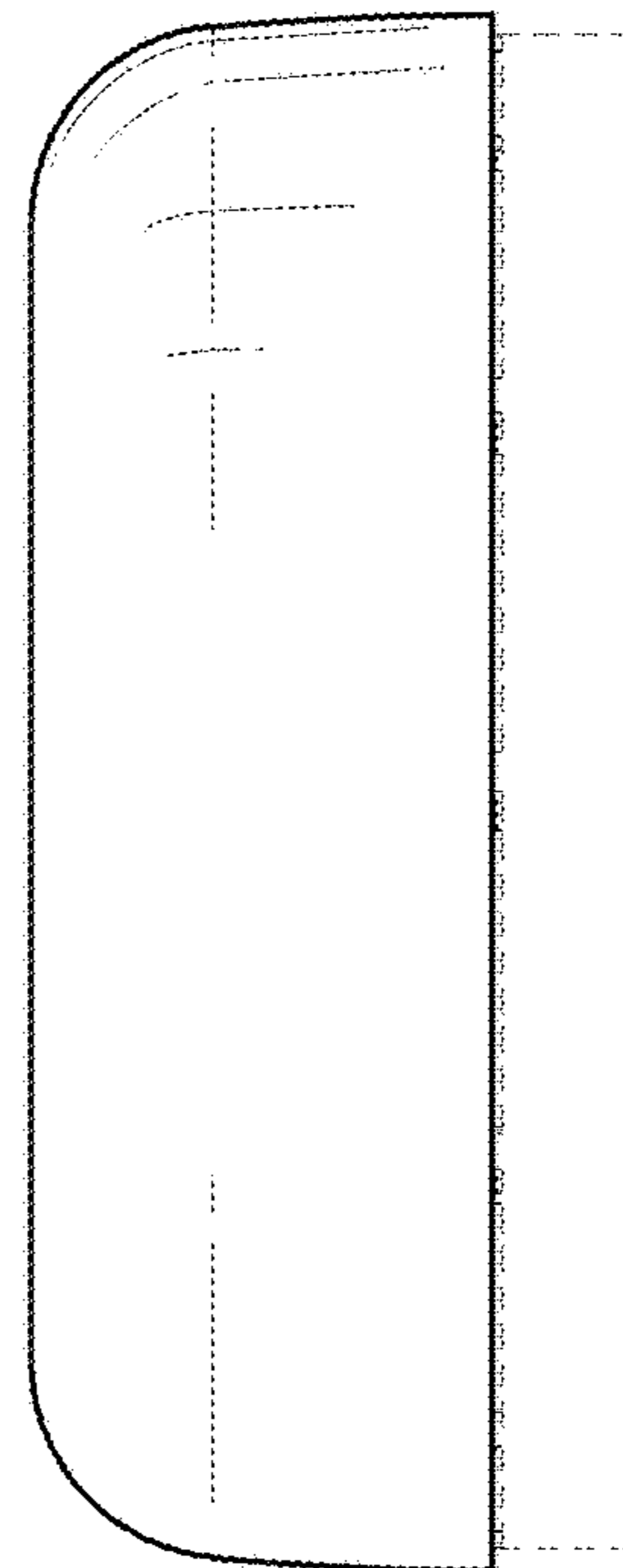


FIG. 5

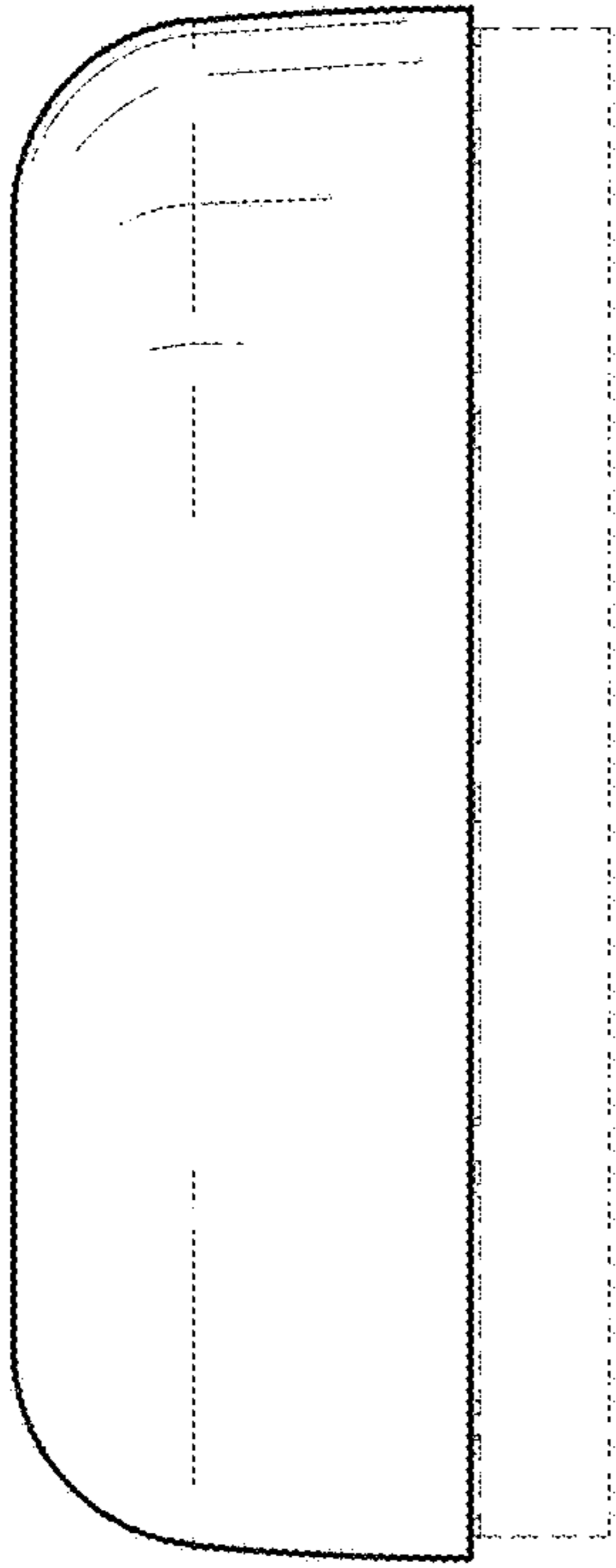


FIG. 7

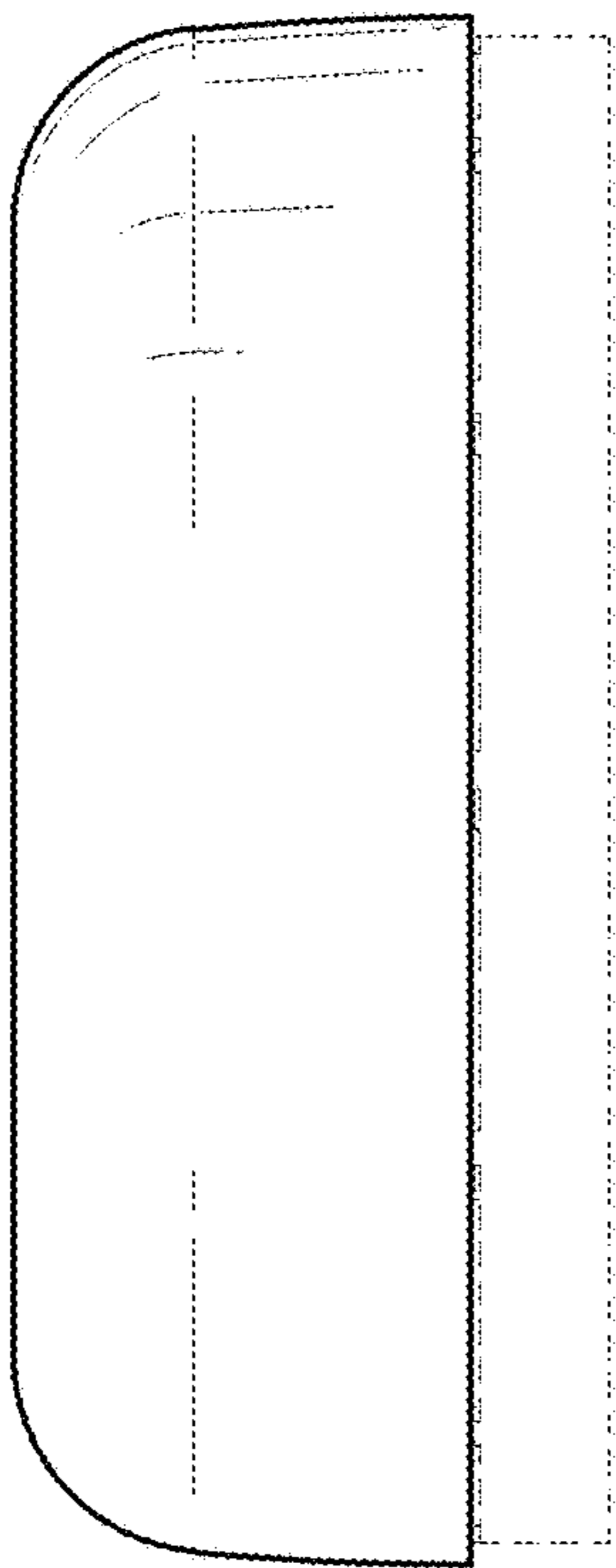


FIG. 8

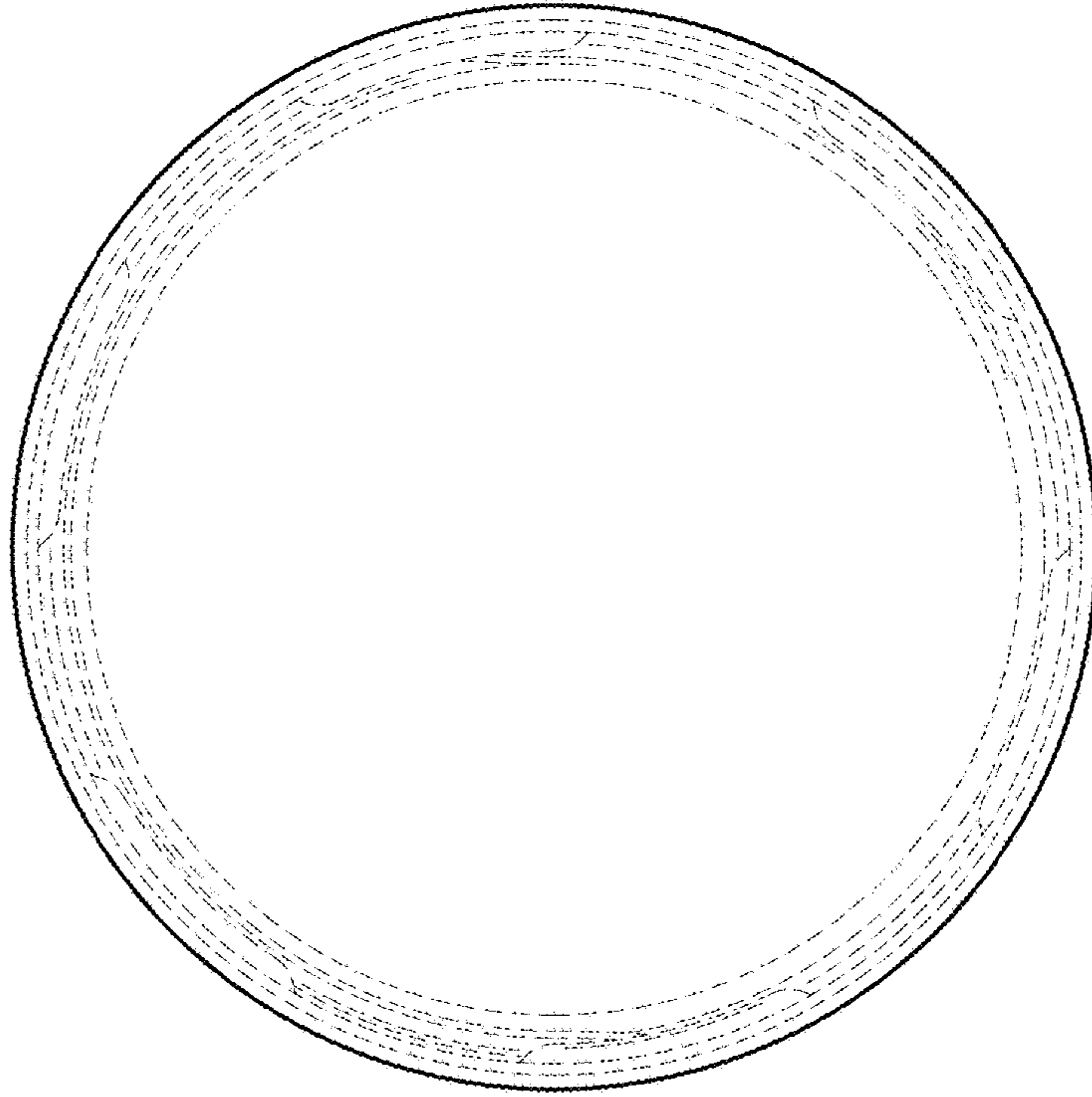


FIG. 9