



US00D845763S

(12) **United States Design Patent** (10) **Patent No.:** **US D845,763 S**  
**Savenok** (45) **Date of Patent:** **\*\* Apr. 16, 2019**

(54) **LOCKING LID**

B65D 53/02; B65D 53/04; B65D 55/02;  
A47J 36/10; A47J 36/14; A47J 36/06

(71) Applicant: **Pavel Savenok**, Wheaton, IL (US)

See application file for complete search history.

(72) Inventor: **Pavel Savenok**, Wheaton, IL (US)

(56) **References Cited**

(\*\*) Term: **15 Years**

U.S. PATENT DOCUMENTS

(21) Appl. No.: **29/585,059**

D166,243 S *	3/1952	Crist .....	D21/390
D192,757 S *	5/1962	Foss .....	D21/390
D193,363 S *	8/1962	Foss .....	D21/390
D241,917 S *	10/1976	Borum .....	D9/452
D249,935 S *	10/1978	Williams .....	D9/454
D260,492 S *	9/1981	Scott .....	D7/392.1
D315,309 S *	3/1991	Baughman .....	D9/434
D327,849 S *	7/1992	Armstrong .....	D9/435
D351,220 S *	10/1994	Barnes .....	D23/260
D352,209 S *	11/1994	Cousins .....	D7/612
D407,601 S *	4/1999	Midden .....	D10/49

(22) Filed: **Nov. 19, 2016**

(51) **LOC (11) Cl.** ..... **09-07**

(52) **U.S. Cl.**

USPC ..... **D9/454**

(Continued)

(58) **Field of Classification Search**

FOREIGN PATENT DOCUMENTS

USPC ..... D3/202; D7/300, 300.1, 313, 314, 316,  
D7/387, 393, 396.1, 396.2, 396, 397, 398,  
D7/401.1, 509, 510, 511, 523, 525, 526,  
D7/527, 528, 538, 602, 619.1, 900;  
D9/434-440, 443, 446-449, 452-454,  
D9/686, 688, 690, 723, 724, 763, 772;  
D23/209, 259, 260, 261; D24/121, 224;  
D28/76, 78, 82; D34/10, 11

DE	3905017 A1 *	8/1990	.....	B65D 41/0421
DE	10042832 A1 *	3/2002	.....	B65D 43/0222

(Continued)

CPC ..... A47G 19/2205; A47G 19/2222; A47G  
19/2266; A47G 19/2272; A47G 19/2294;  
B65D 43/02; B65D 43/14; B65D 43/26;  
B65D 51/18; B65D 2251/0018; B65D  
2251/0081; B65D 2251/0026; B65D  
2251/009; B65D 2543/00046; B65D  
39/00; B65D 39/0005; B65D 39/02;  
B65D 39/08; B65D 39/14; B65D 41/00;  
B65D 41/02; B65D 41/005; B65D  
41/023; B65D 41/026; B65D 41/0414;  
B65D 41/0421; B65D 41/0428; B65D  
41/0476; B65D 41/0485; B65D 41/0492;  
B65D 41/16; B65D 41/17; B65D 41/26;  
B65D 41/32; B65D 50/00; B65D 53/00;

*Primary Examiner* — Jennifer Rivard  
*Assistant Examiner* — Catherine S Posthauer  
(74) *Attorney, Agent, or Firm* — Christopher J. Scott

(57) **CLAIM**

The ornamental design for the locking lid, as shown and described.

**DESCRIPTION**

FIG. 1 is a side elevational view of a locking lid showing my new design;  
FIG. 2 is a top plan view thereof;  
FIG. 3 is a top perspective view thereof;  
FIG. 4 is a bottom plan view thereof; and,  
FIG. 5 is a top perspective view thereof, in a position of use with an exemplary container.  
The broken lines shown in FIG. 4 form no part of the claim.  
The broken lines shown in FIG. 5 are shown for the purpose

(Continued)



of illustrating environmental subject matter of a container that form no part of the claim.

**1 Claim, 3 Drawing Sheets**

(56)

**References Cited**

U.S. PATENT DOCUMENTS

D412,538 S \* 8/1999 Reidinger ..... D21/390  
6,427,864 B1 \* 8/2002 Asselin ..... B65D 21/0224  
206/217  
D525,869 S \* 8/2006 Tedford ..... D9/452  
D556,037 S \* 11/2007 D'Amato ..... D9/454  
D559,105 S \* 1/2008 D'Amato ..... D9/454  
D598,959 S \* 8/2009 Kiddoo ..... D21/385  
D628,894 S \* 12/2010 Pontes ..... D9/454  
D654,308 S \* 2/2012 Tiemann ..... D7/401.1  
D654,309 S \* 2/2012 Tiemann ..... D7/401.1

D726,884 S \* 4/2015 Yamagishi ..... D23/259  
D738,210 S \* 9/2015 Tanner ..... D9/440  
D751,392 S \* 3/2016 Wu ..... D7/392.1  
D766,086 S \* 9/2016 Strachan ..... D9/434  
D766,720 S \* 9/2016 Ware ..... D9/447  
9,701,447 B2 \* 7/2017 Stodd ..... B65D 43/0202  
D793,231 S \* 8/2017 Langfelder ..... D9/449  
2006/0131319 A1 \* 6/2006 McDonald ..... B65D 83/0805  
221/63  
2014/0263155 A1 \* 9/2014 Szczesniak ..... B65D 41/385  
215/252  
2015/0157535 A1 \* 6/2015 Frishman ..... A61J 1/1412  
604/403

FOREIGN PATENT DOCUMENTS

GB 1249510 A \* 10/1971 ..... B65D 50/041  
GB 2025888 A \* 1/1980 ..... B65D 51/20  
WO WO-2013182283 A1 \* 12/2013 ..... B65D 43/022  
WO WO-2014066723 A1 \* 5/2014 ..... B32B 27/08  
WO WO-2016014585 A1 \* 1/2016 ..... B65D 47/36

\* cited by examiner

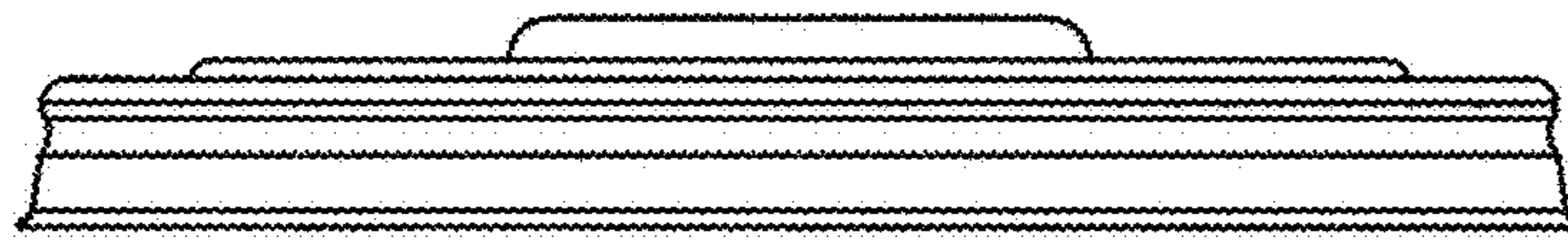


Fig. 1

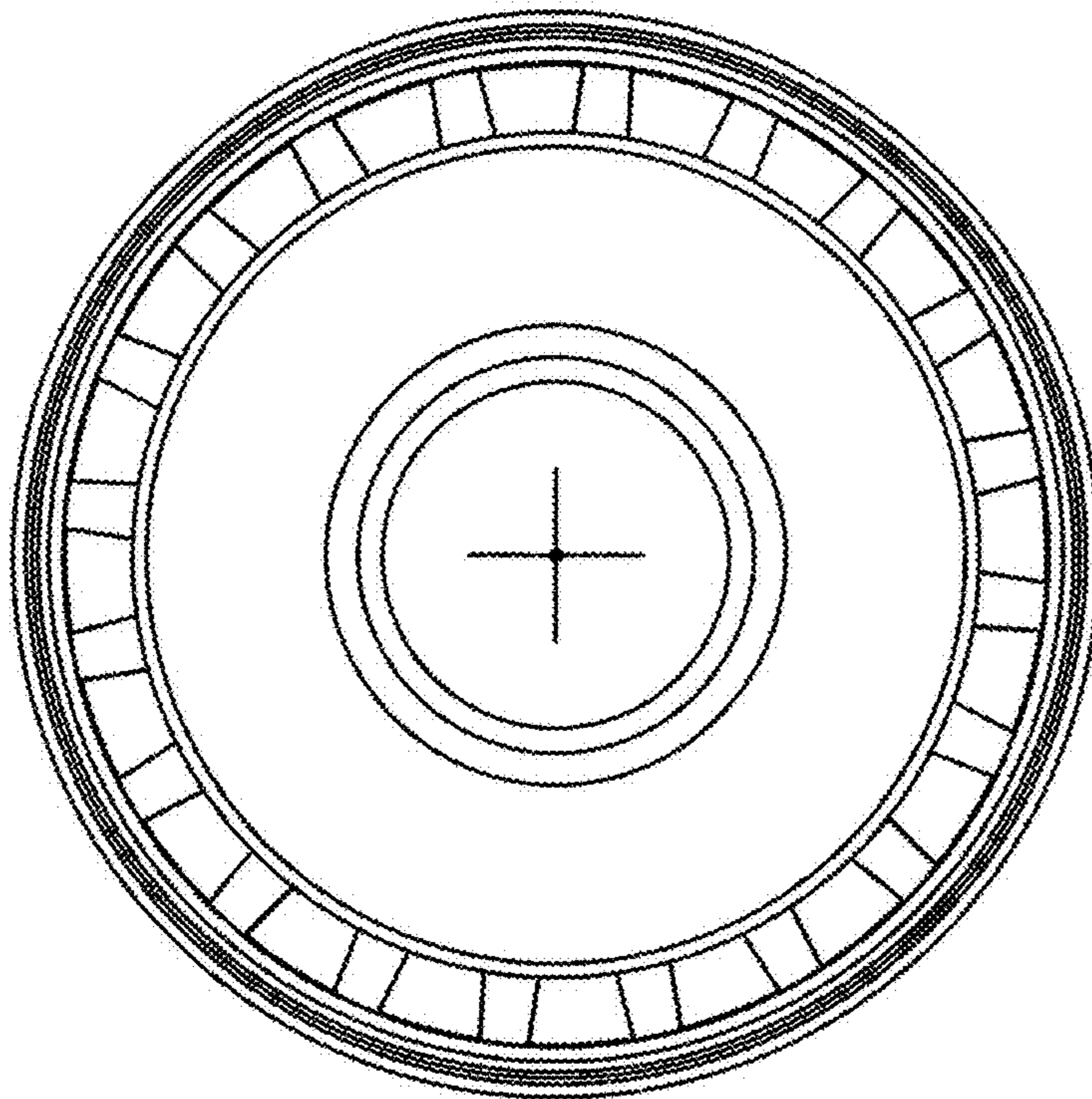


Fig. 2

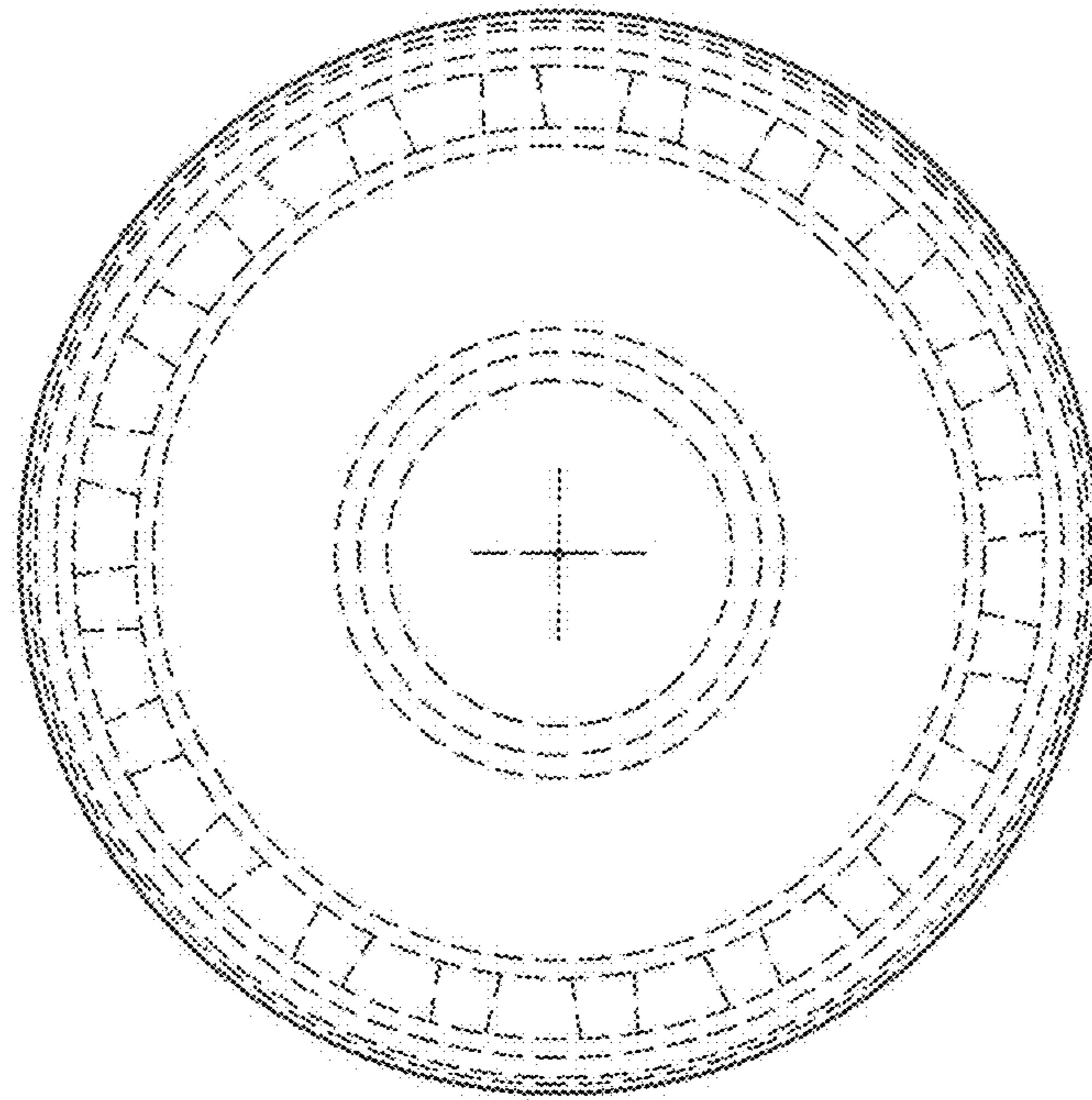


Fig. 4

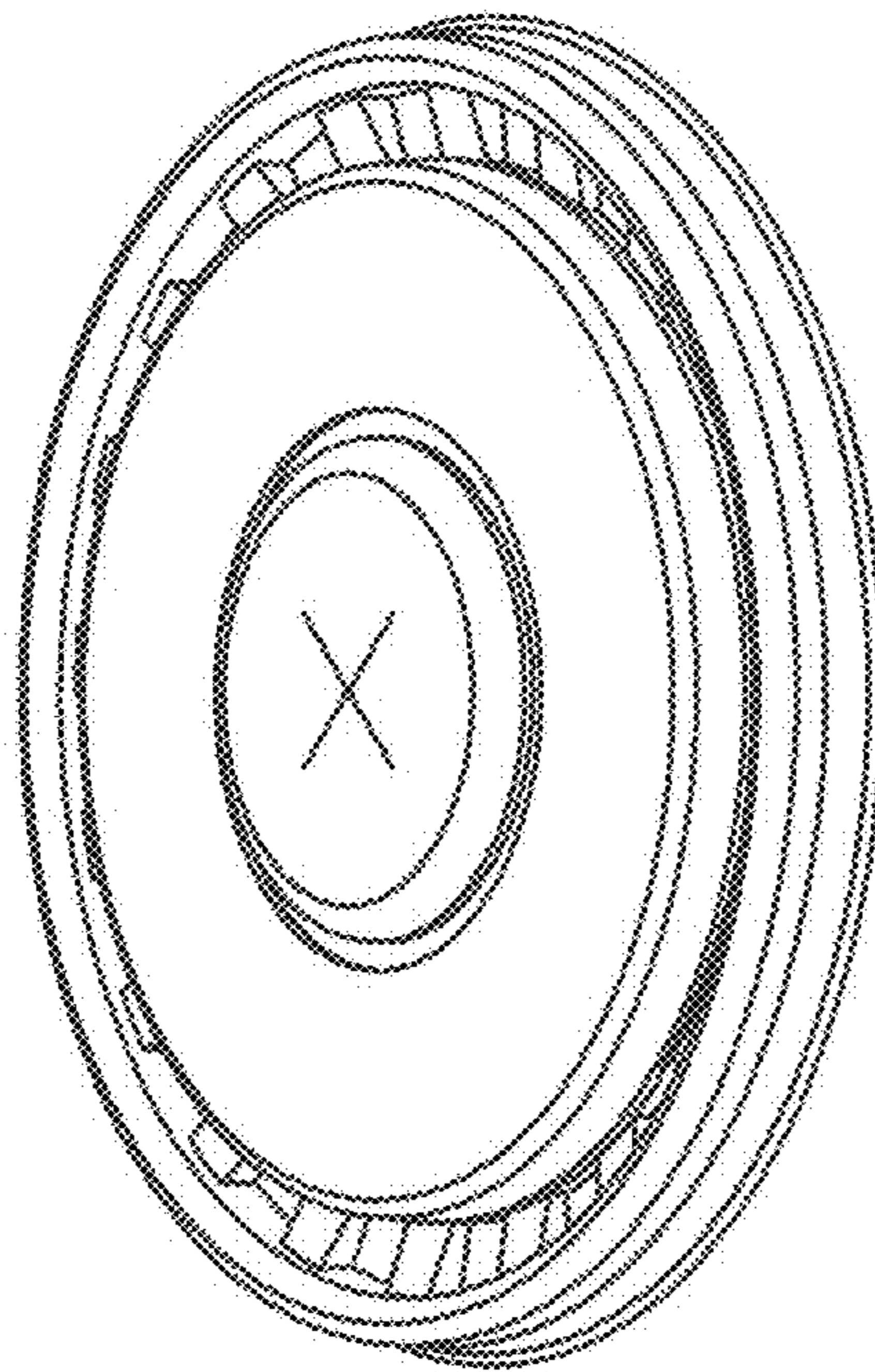


Fig. 3

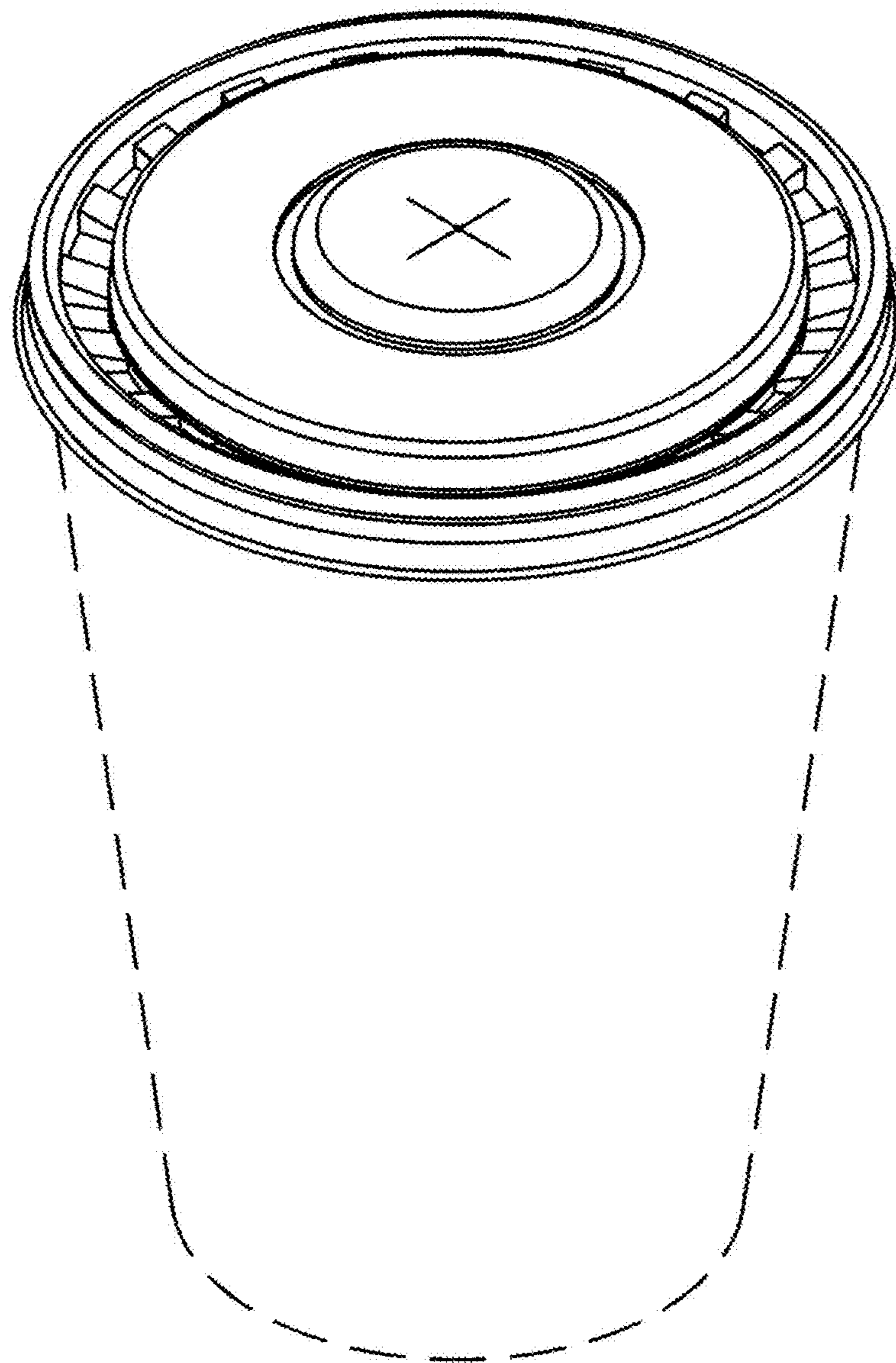


Fig. 5